



US00D728317S

(12) **United States Design Patent**
Ma et al.

(10) **Patent No.:** **US D728,317 S**
(45) **Date of Patent:** **** May 5, 2015**

(54) **SLEEVE FOR A WATER PITCHER**
(71) Applicant: **Brita LP**, Oakland, CA (US)
(72) Inventors: **Benjamin Ma**, Pleasanton, CA (US);
Brett D. McIntire, Pleasanton, CA (US);
Jessica L. Todd, Pleasanton, CA (US);
Beau Oyler, Oakland, CA (US); **Jared**
Hull Aller, Oakland, CA (US)
(73) Assignee: **Brita LP**, Oakland, CA (US)
(**) Term: **14 Years**

(21) Appl. No.: **29/447,989**
(22) Filed: **Mar. 8, 2013**
(51) **LOC (10) Cl.** **07-06**
(52) **U.S. Cl.**
USPC **D7/624.2**; D7/317; D7/319; D7/392;
D7/607; D7/397
(58) **Field of Classification Search**
USPC D7/310, 311, 312, 313, 314, 315, 316,
D7/317, 318, 319, 320, 321, 322, 392, 397,
D7/600, 598, 391, 624.2, 607; D23/207;
210/85, 232; 220/532, 533, 528, 529,
220/552

See application file for complete search history.

(56) **References Cited**

U.S. PATENT DOCUMENTS

D377,132 S *	1/1997	Jørgensen	D7/318
D377,741 S *	2/1997	Bennett et al.	D7/622
D389,007 S *	1/1998	Bouhuys	D7/319
D448,602 S *	10/2001	Bodum	D7/319
D513,919 S *	1/2006	Bodum	D7/319
D552,403 S *	10/2007	Renner et al.	D7/317
D559,028 S *	1/2008	Appleton	D7/317
D583,612 S *	12/2008	Wu et al.	D7/317
D594,267 S	6/2009	Bodum		
D595,994 S *	7/2009	Albritton	D7/607
D605,900 S *	12/2009	Bodum	D7/607
D616,703 S	6/2010	Joy et al.		

RE42,172 E *	3/2011	Trombly	D7/523
D642,080 S *	7/2011	Schmitt	D10/46.2
D648,185 S *	11/2011	Sanders	D7/624.2
D649,827 S *	12/2011	Smiedt et al.	D7/319
D654,756 S	2/2012	Bodum		
D657,202 S *	4/2012	Sanders	D7/624.2
D680,789 S *	4/2013	Bell et al.	D7/317
D680,792 S *	4/2013	Bodum	D7/319
D681,388 S *	5/2013	Bodum	D7/319
D682,043 S *	5/2013	Sanders	D7/624.2
D686,041 S *	7/2013	Sanders	D7/624.2
2009/0057257 A1	3/2009	Marcus et al.		
2009/0199719 A1	8/2009	Bodum		
2010/0224641 A1*	9/2010	Hanel	220/737

(Continued)

FOREIGN PATENT DOCUMENTS

EP	002029181-0002 B	4/2012
WO	2010003257 A	1/2010

Primary Examiner — Marianne Pandozzi

Assistant Examiner — Jae Liang

(74) *Attorney, Agent, or Firm* — Stacy H. Combs; Thomas C. Feix

(57) **CLAIM**

The ornamental design for a sleeve for a water pitcher, as shown and described.

DESCRIPTION

FIG. 1 is a front perspective view of a sleeve for a water pitcher showing our new design.

FIG. 2 is a top view thereof;

FIG. 3 is a bottom view thereof;

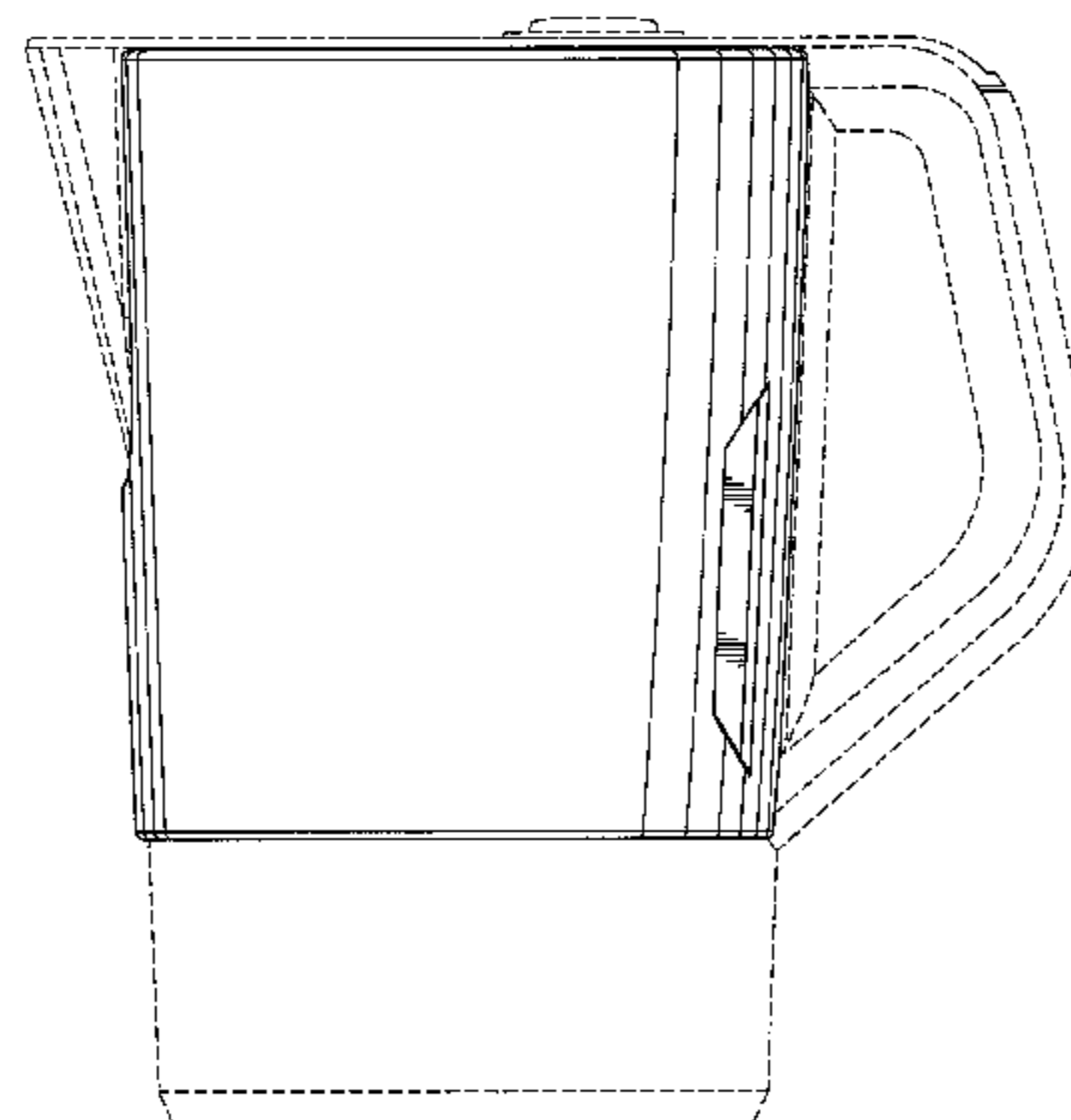
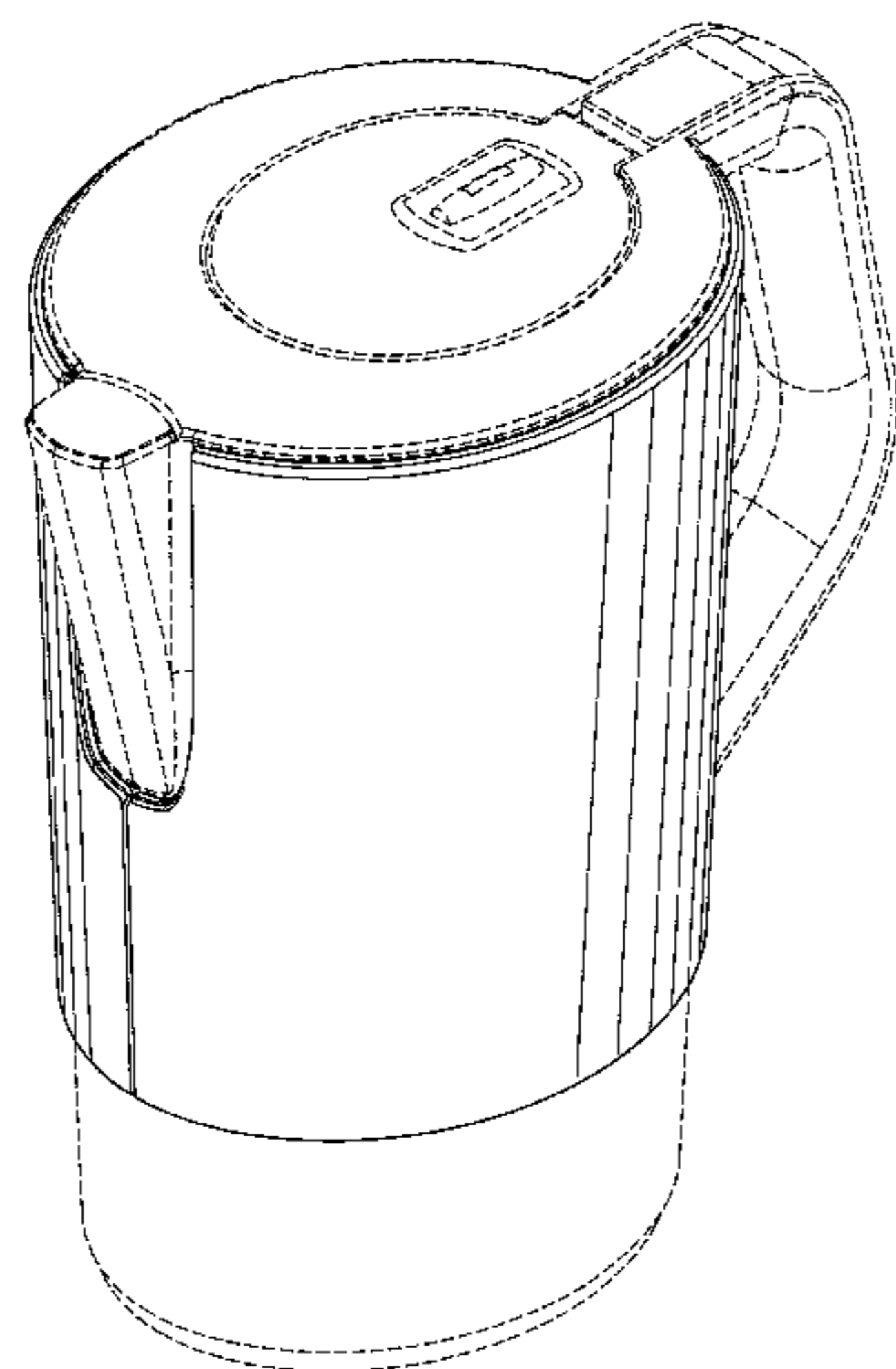
FIG. 4 is a left side view thereof, the right side being a mirror image;

FIG. 5 is a front side view thereof; and,

FIG. 6 is a back side view thereof.

The broken lines showing environmental structure are for illustrative purposes only and form no part of the claimed design.

1 Claim, 5 Drawing Sheets



US D728,317 S

Page 2

(56)

References Cited

U.S. PATENT DOCUMENTS

2011/0146496 A1 6/2011 Bodum
2011/0259846 A1 10/2011 Diegel et al.
2012/0012551 A1* 1/2012 Sinacori et al. 215/12.1

2011/0127280 A1* 6/2011 Lown et al. 220/694 * cited by examiner

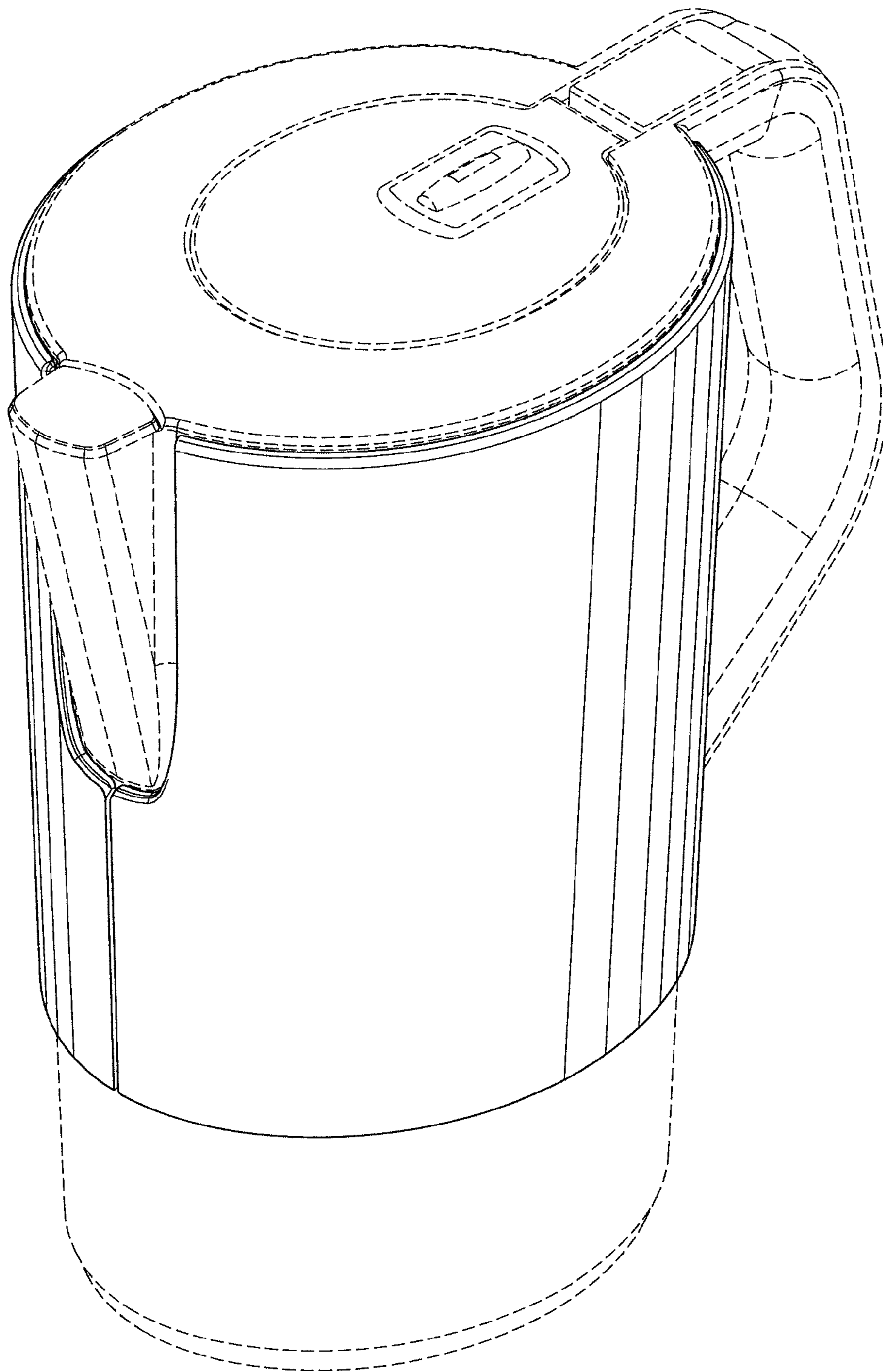


FIG. 1

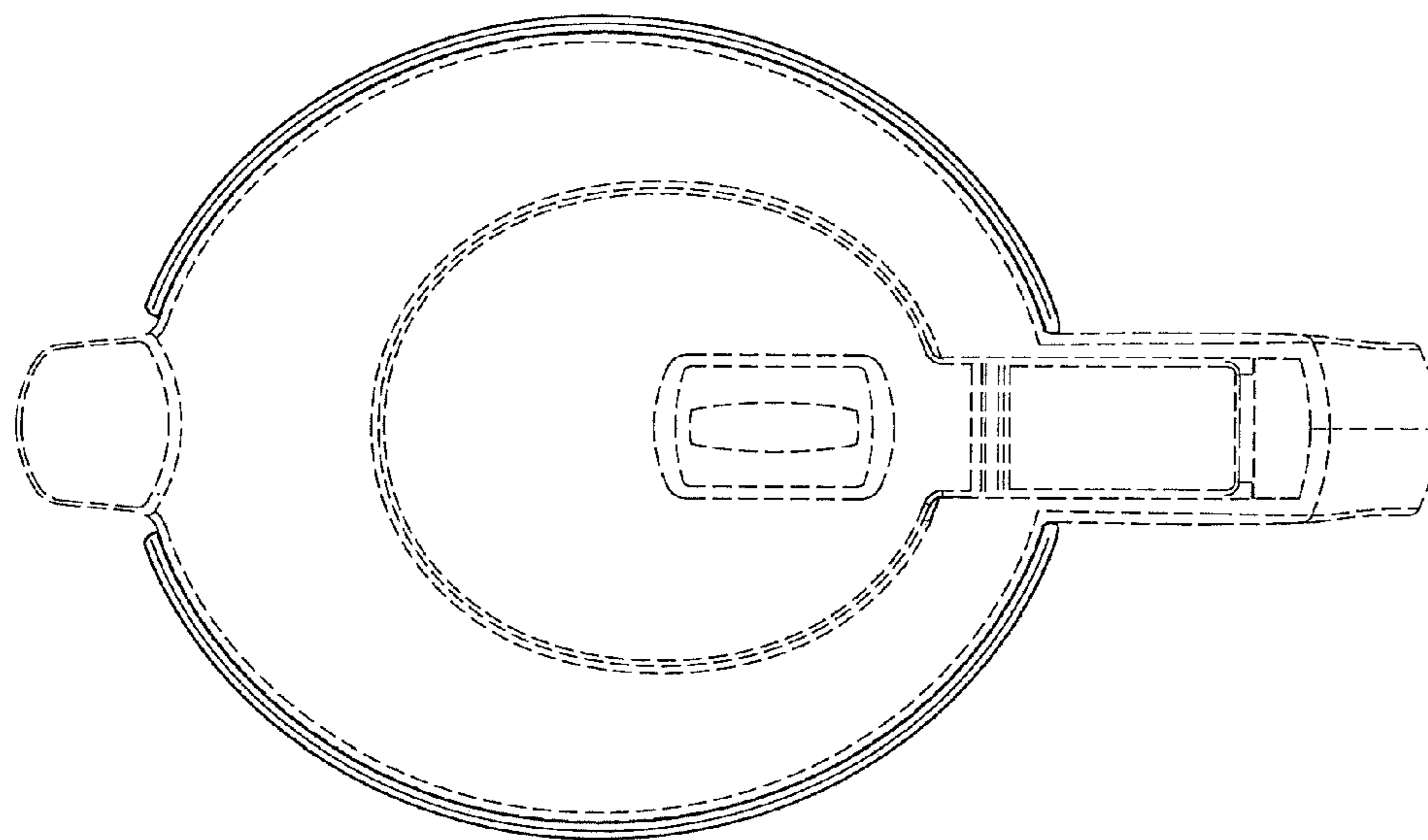


FIG. 2

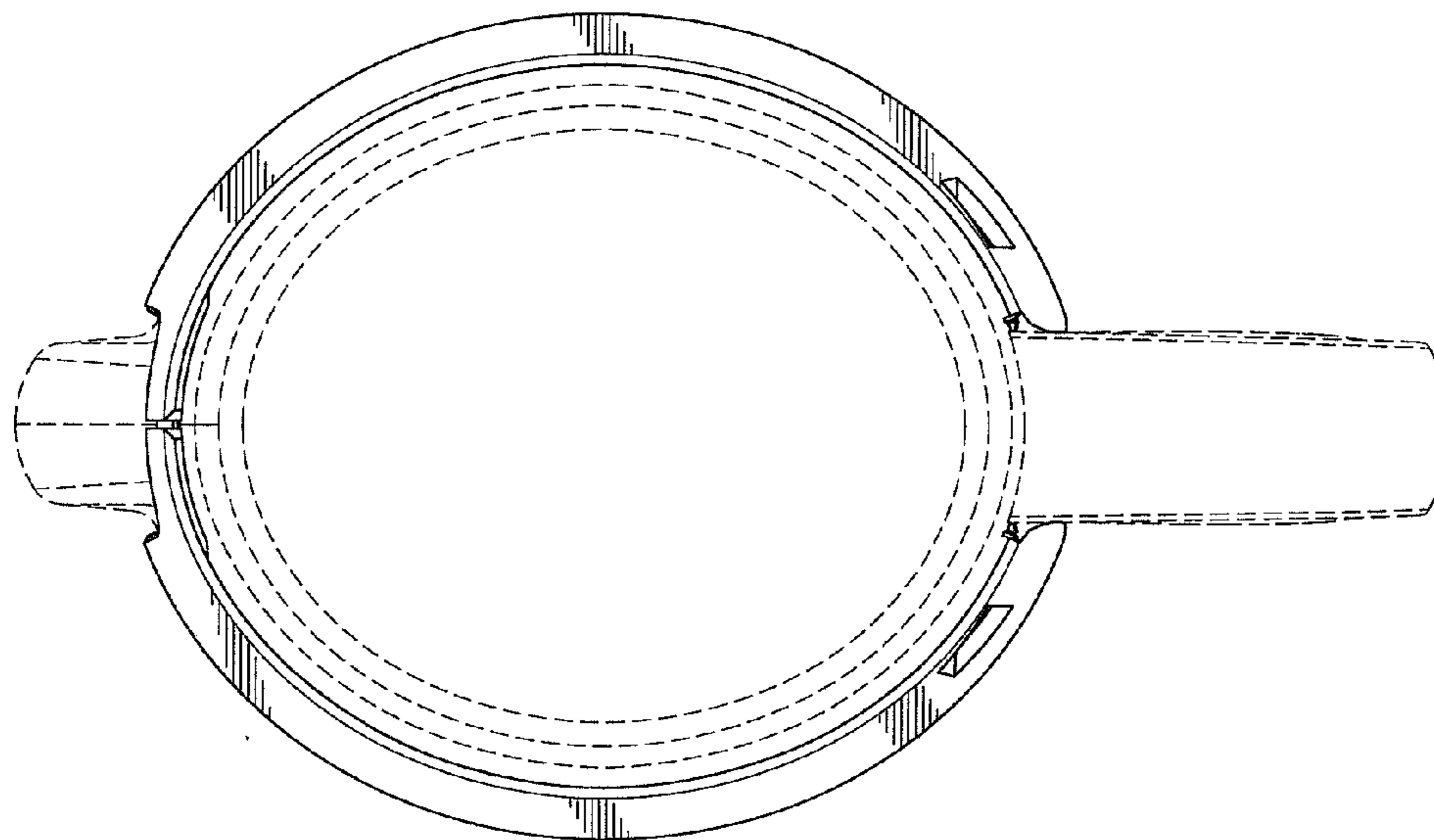


FIG. 3

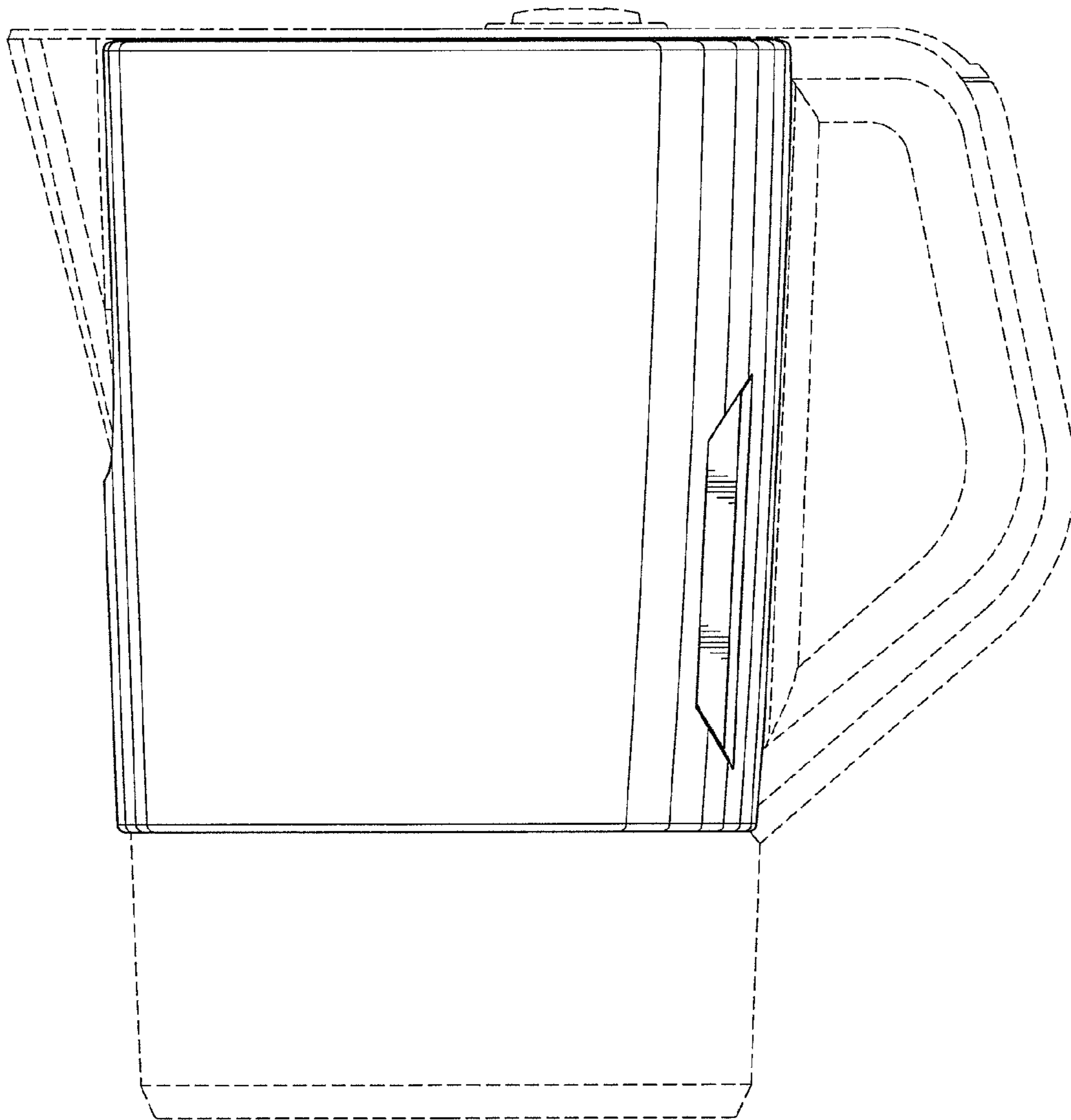


FIG. 4

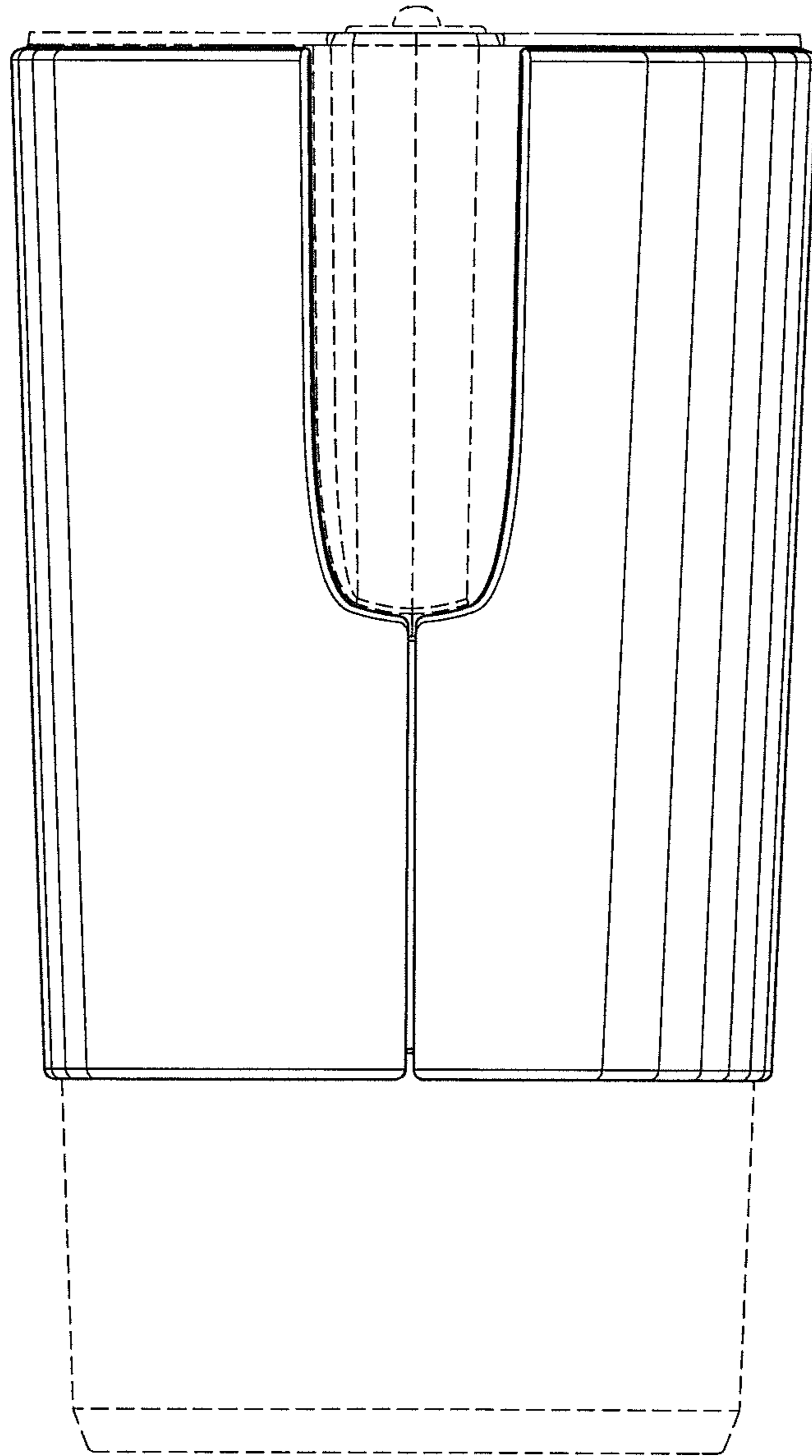


FIG. 5

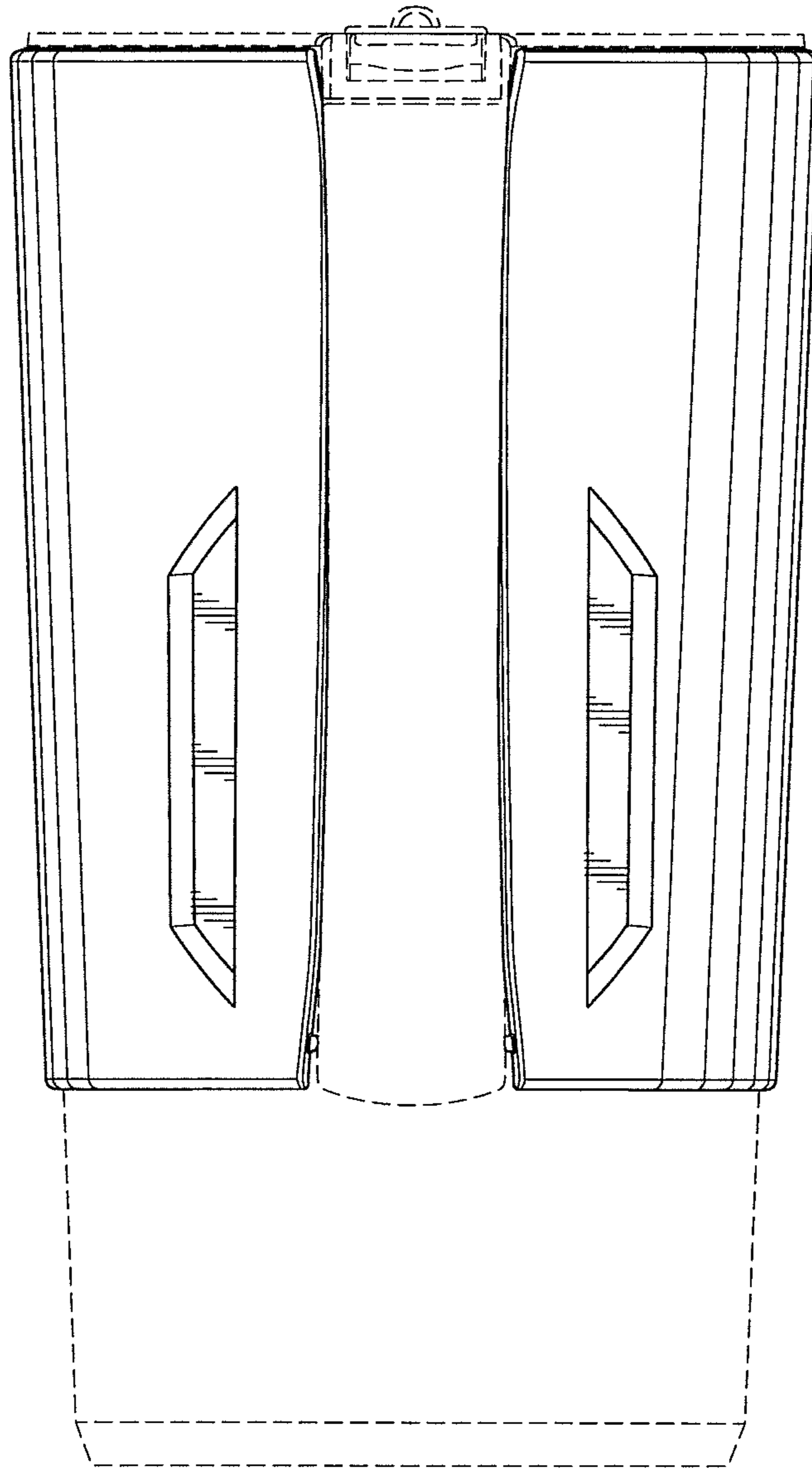


FIG. 6