



US00D728316S

(12) **United States Design Patent**
Breit

(10) **Patent No.:** **US D728,316 S**

(45) **Date of Patent:** **** May 5, 2015**

(54) **HOUSEHOLD BOTTLE**

(71) Applicant: **DKB Household UK Limited**,
Farnborough, Hampshire (GB)

(72) Inventor: **Oliver Rudolph Breit**, Midvale Village
(HK)

(73) Assignee: **DKB Household UK Limited** (GB)

(**) Term: **14 Years**

(21) Appl. No.: **29/452,827**

(22) Filed: **Apr. 22, 2013**

(30) **Foreign Application Priority Data**

Oct. 23, 2012 (EM) 002123588-0003

(51) **LOC (10) Cl.** **07-06**

(52) **U.S. Cl.**
USPC **D7/598**

(58) **Field of Classification Search**

CPC B01F 7/00583; B01F 13/0022; B01F
15/00512; A47J 43/044
USPC D7/598, 300.1, 310, 312, 314, 316-320,
D7/322, 392.1, 396.2, 397, 507, 509, 511,
D7/510, 512, 523, 529, 532, 590, 600, 608,
D7/900; D9/716, 719, 439, 443, 454, 503,
D9/446, 436, 504, 505; 222/23, 25, 144.5,
222/156, 158, 183, 185.1, 444, 446-451,
222/465.1, 469, 470-473, 475.1; 220/705,
220/23.83, 710, 709, 711, 254.3, 501, 288,
220/4.01, 592.22, 663, 756; 215/12.1, 398,
215/11.6, 347

See application file for complete search history.

(56) **References Cited**

U.S. PATENT DOCUMENTS

D139,381 S * 11/1944 Harris D9/504
D182,573 S * 4/1958 Douglas D7/317

D183,168 S * 7/1958 Herber D7/316
D188,063 S * 5/1960 De Fano D7/598
D188,287 S * 6/1960 Burton D7/317
D189,374 S * 11/1960 Harris D9/504
D189,393 S * 12/1960 Schlumbohm D7/300.1
D200,487 S * 3/1965 Dann, Jr. D7/317
D213,489 S * 3/1969 Foxell D7/300.1
D300,107 S * 3/1989 Trombly D7/317
D409,051 S * 5/1999 Huang D7/608
D453,279 S * 2/2002 Huang D7/318
D454,282 S * 3/2002 Mano D7/608
D474,406 S * 5/2003 Kaposi D9/505
D480,924 S * 10/2003 Yang D7/598
D489,219 S * 5/2004 O'Connor et al. D7/319
D490,266 S * 5/2004 Imai D7/318
D544,754 S * 6/2007 Lion et al. D7/598
D555,416 S * 11/2007 Bodum D7/317
D560,445 S * 1/2008 Tardif et al. D7/679
D582,215 S * 12/2008 Yang D7/598

(Continued)

Primary Examiner — Ian Simmons

Assistant Examiner — Shannon Morgan

(74) *Attorney, Agent, or Firm* — Kaplan Breyer Schwarz &
Ottesen, LLP; Harry K. Ahn, Esq.

(57)

CLAIM

The ornamental design for a household bottle, as shown and described.

DESCRIPTION

FIG. 1 is a top, front and left side perspective view of a household bottle;

FIG. 2 is a left side elevational view thereof;

FIG. 3 is a right side elevational view thereof;

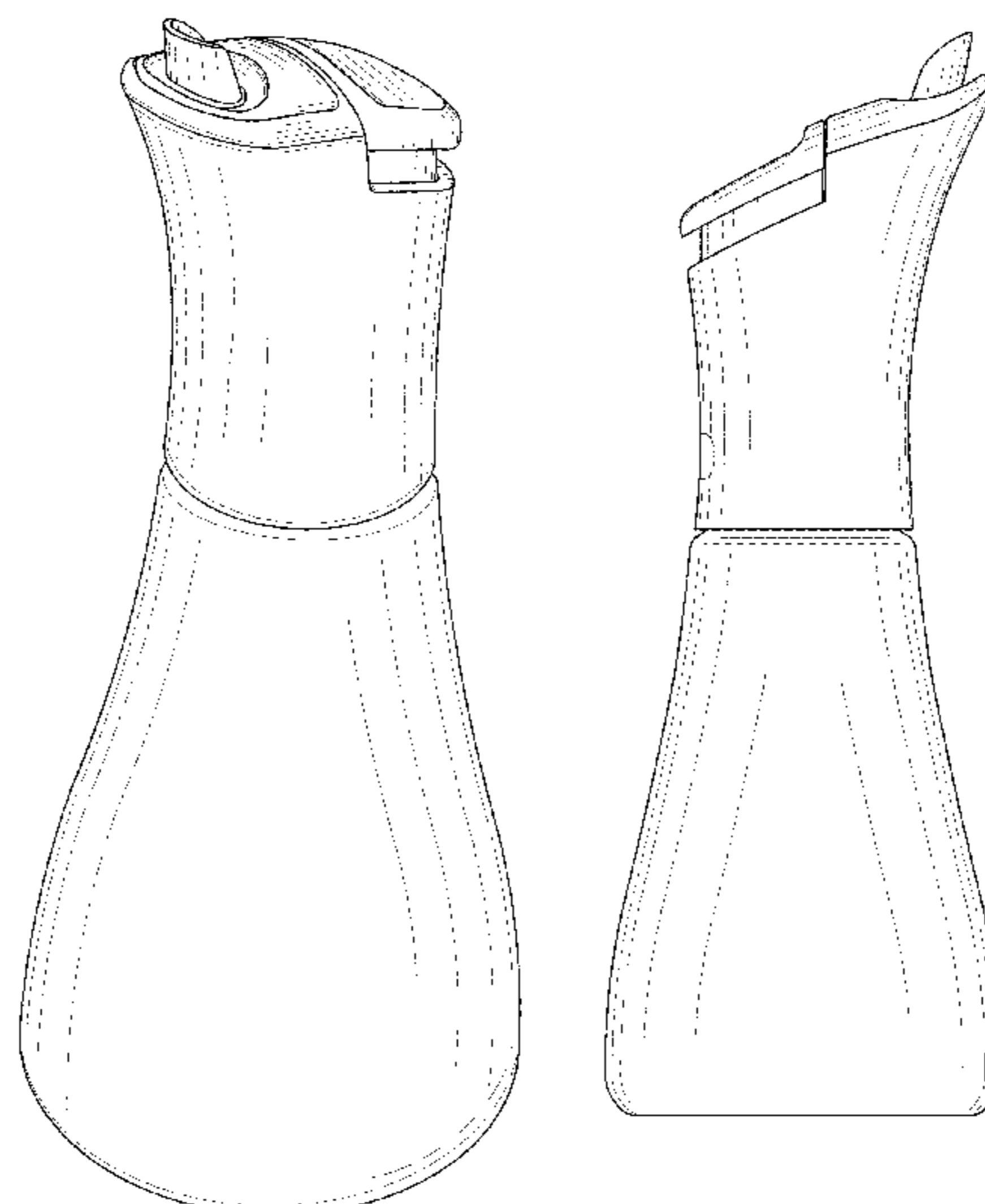
FIG. 4 is a rear elevational view thereof;

FIG. 5 is a front elevational view thereof; and,

FIG. 6 is a top plan view thereof.

The broken lines and area within immediately adjacent to the shaded area of the household bottle in FIGS. 2-4 represents portion of the claim that forms no part of the claimed design.

1 Claim, 6 Drawing Sheets



(56)

References Cited

U.S. PATENT DOCUMENTS

D587,060 S *	2/2009	Tong Chi Chung	D7/319	D688,918 S *	9/2013	Jin et al.	D7/590
D608,164 S *	1/2010	Park et al.	D7/679	D702,131 S *	4/2014	Handy	D9/691
D610,882 S *	3/2010	Jossem et al.	D7/679	D711,180 S *	8/2014	Villa	D7/317
D618,062 S *	6/2010	Jossem et al.	D7/598	8,936,170 B2 *	1/2015	Dyer et al.	220/254.3
D640,084 S *	6/2011	Sheppard et al.	D7/316	2008/0121654 A1 *	5/2008	Pikowski	222/129
D648,592 S *	11/2011	Bodum	D7/317	2010/0237176 A1 *	9/2010	Robbins	241/169.1
					2010/0240757 A1 *	9/2010	Meehan et al.	514/567
					2012/0118918 A1 *	5/2012	Andersen et al.	222/402.13
					2013/0301378 A1 *	11/2013	Junker	366/241

* cited by examiner

FIG. 1

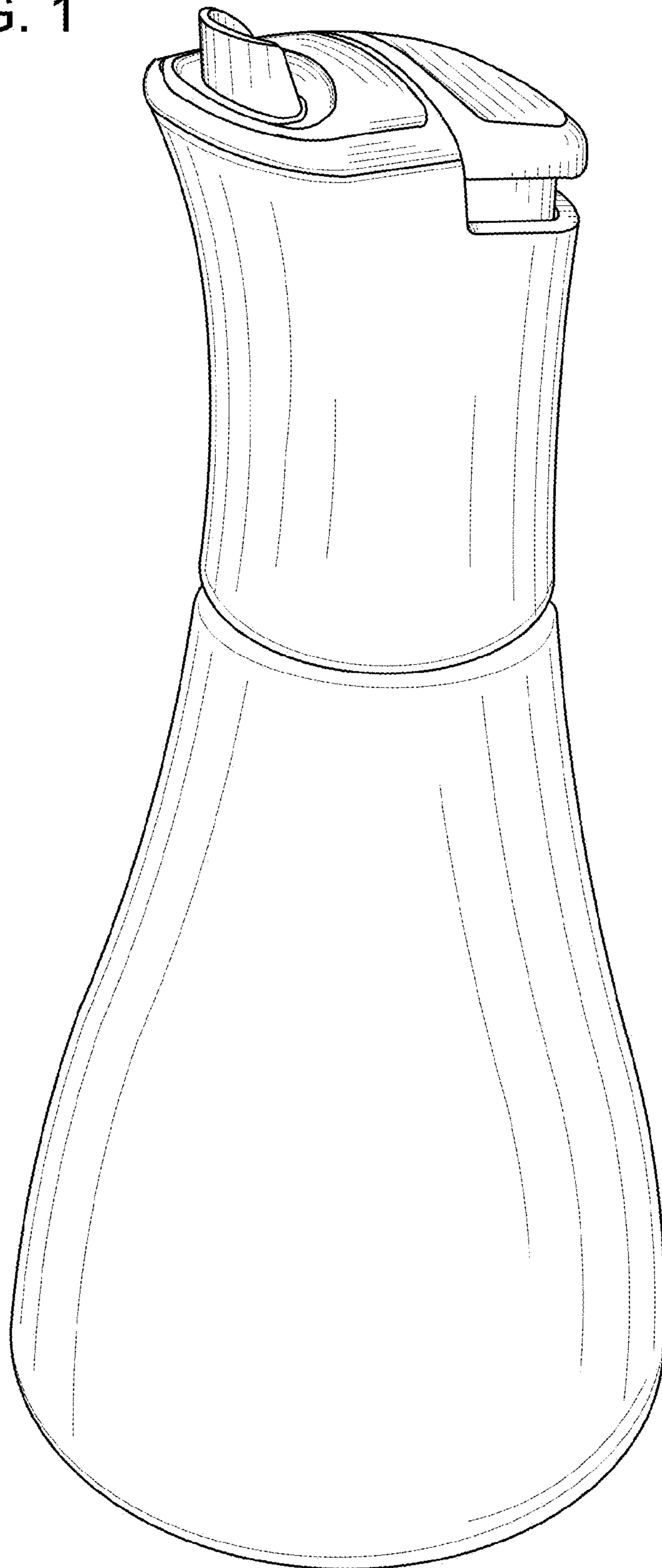


FIG. 2

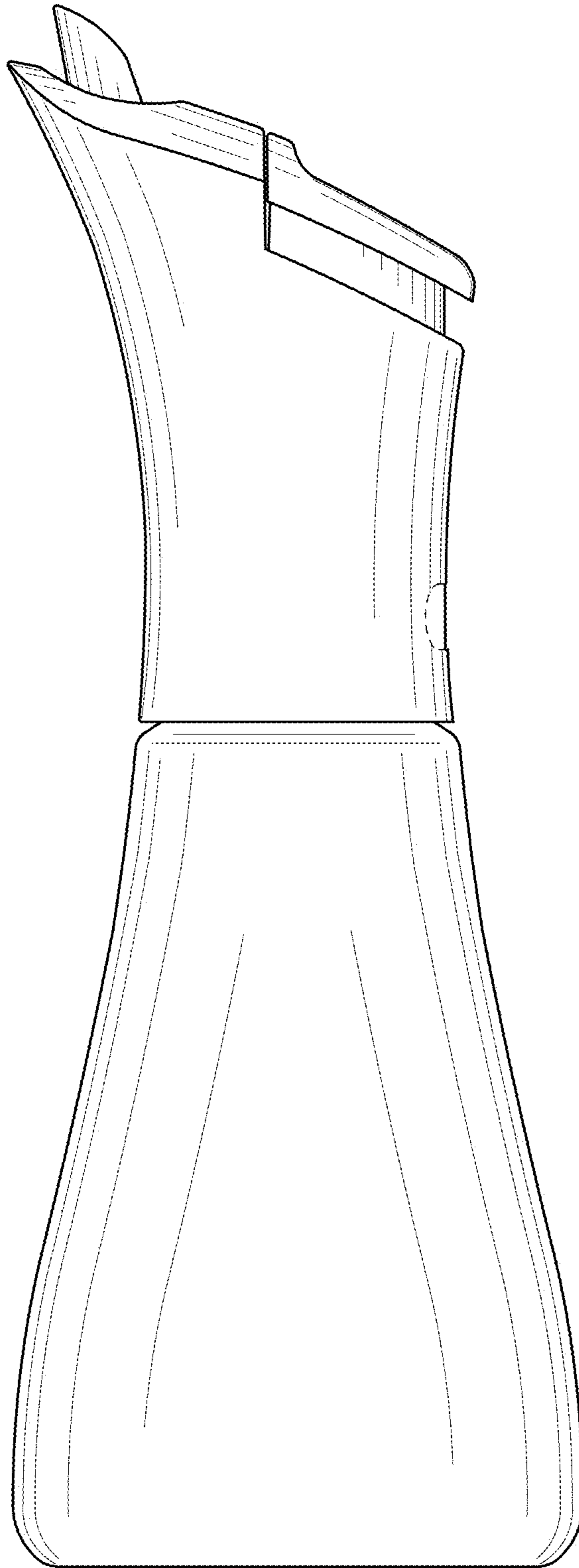


FIG. 3

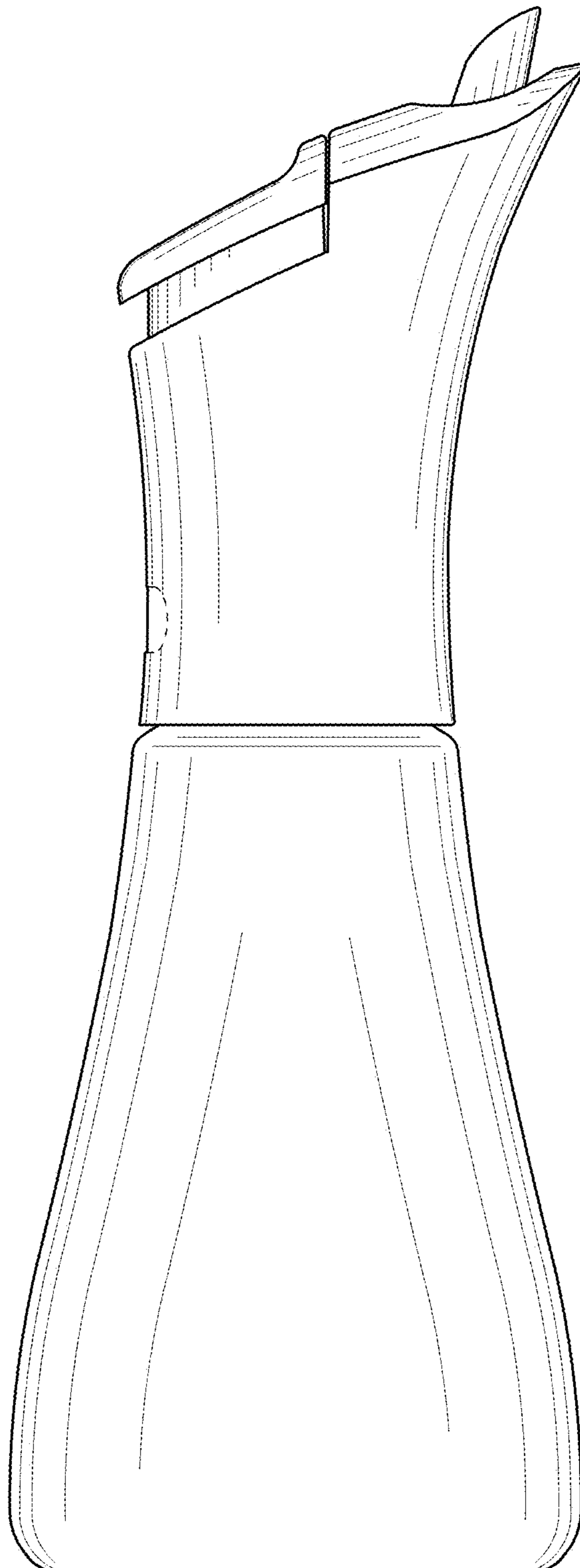


FIG. 4

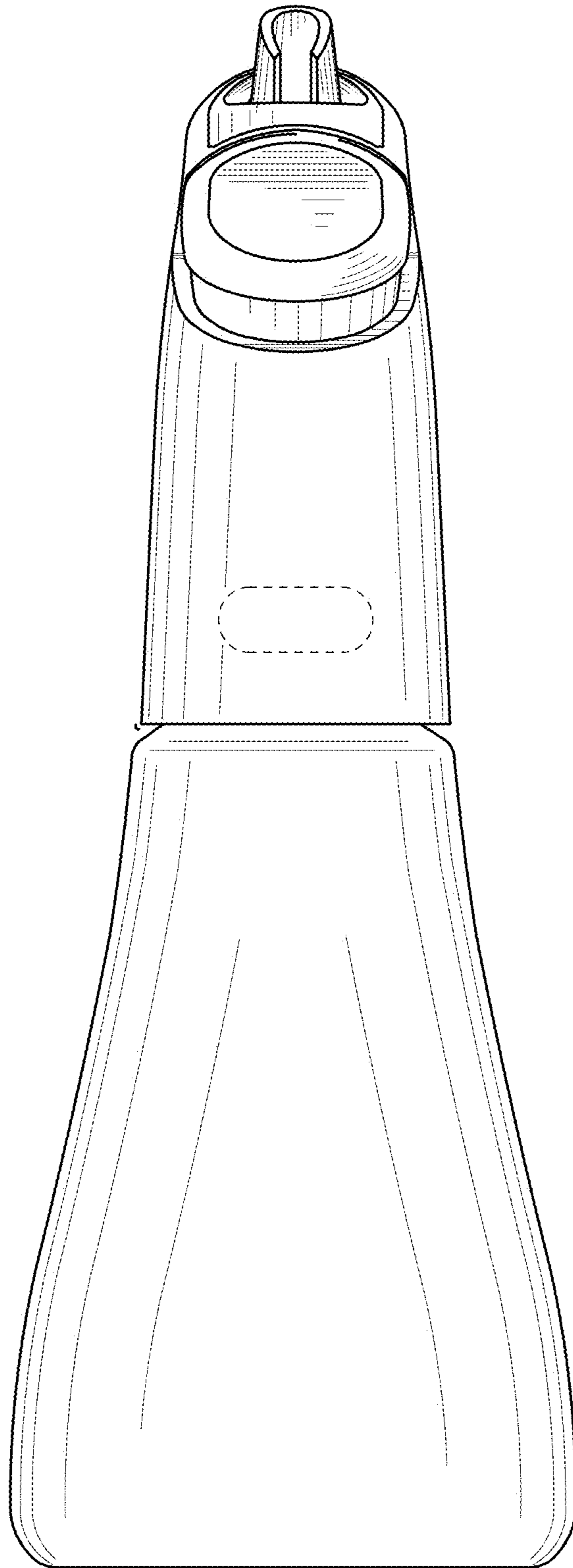


FIG. 5

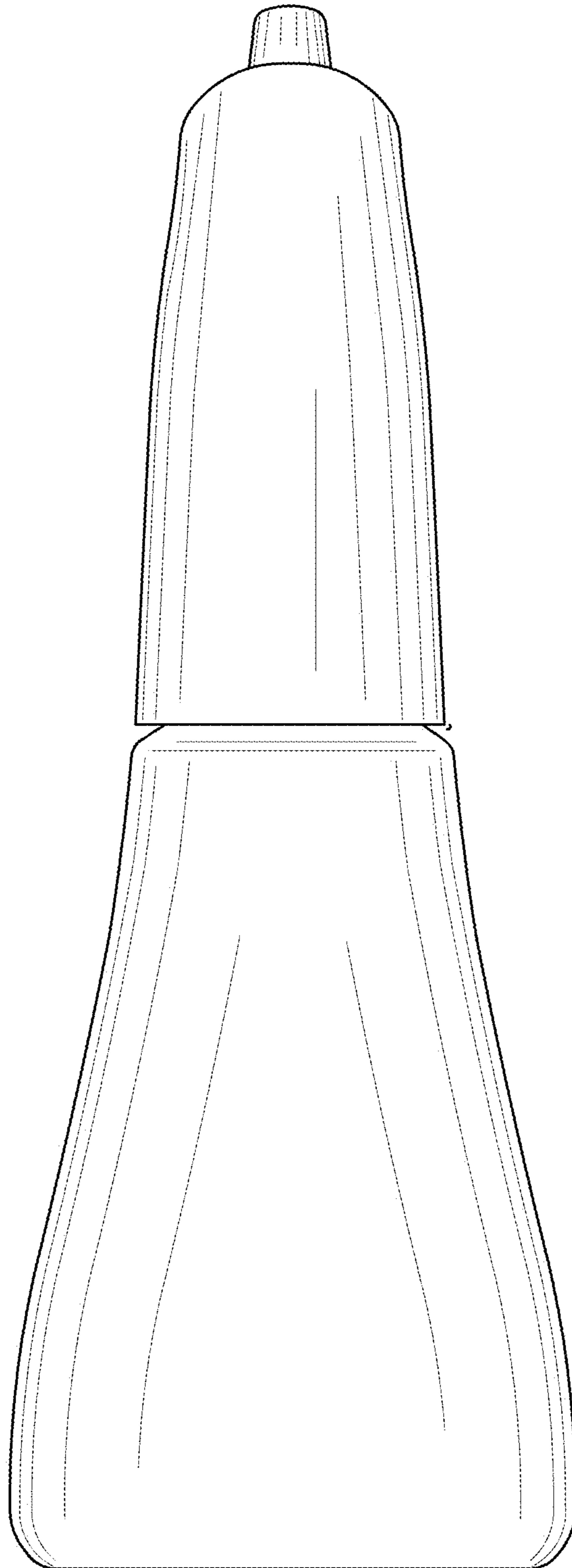


FIG. 6

