



US00D728309S

(12) **United States Design Patent**
Börjesson

(10) **Patent No.:** **US D728,309 S**

(45) **Date of Patent:** **** May 5, 2015**

(54) **OVEN PANEL AND DOOR**

(71) Applicant: **Electrolux Home Products Corporation N.V., Brussels (BE)**

(72) Inventor: **Per Börjesson, Porcia (IT)**

(73) Assignee: **Electrolux Home Products Corporation N.V., Brussels (BE)**

(**) Term: **14 Years**

(21) Appl. No.: **29/494,358**

(22) Filed: **Jun. 19, 2014**

USPC D7/323, 331, 339, 340, 347, 348, 349, D7/350.1, 350.3, 350.4, 351, 402, 405, D7/406; D32/3; 99/324; 126/1 R, 19 R, 126/21 A, 21 R, 198, 200, 273 A, 273 R
See application file for complete search history.

(56) **References Cited**

U.S. PATENT DOCUMENTS

| | | | |
|--------------|---------|----------------|--------|
| 3,855,994 A | 12/1974 | Evans et al. | |
| 5,881,710 A | 3/1999 | Davis et al. | |
| D512,873 S * | 12/2005 | Grutzke et al. | D7/405 |
| D530,561 S | 10/2006 | Kim | |
| D530,979 S | 10/2006 | Huxhold et al. | |
| D534,035 S | 12/2006 | Huxhold et al. | |
| D538,105 S | 3/2007 | Huxhold et al. | |
| D580,698 S | 11/2008 | Kim et al. | |
| D603,650 S * | 11/2009 | Yalcin et al. | D7/349 |
| D604,988 S * | 12/2009 | Yalcin et al. | D7/349 |
| D611,294 S * | 3/2010 | Busalt et al. | D7/349 |
| D611,755 S * | 3/2010 | Yalcin et al. | D7/349 |
| D611,756 S | 3/2010 | Yalcin et al. | |
| D612,207 S | 3/2010 | Baker et al. | |
| 7,721,728 B2 | 5/2010 | Ho Kim et al. | |
| D618,488 S | 6/2010 | Knochner | |
| 7,819,113 B2 | 10/2010 | Chin | |

(Continued)

Primary Examiner — Martie K Holtje

(74) *Attorney, Agent, or Firm* — Banner & Witcoff, Ltd.

(57) **CLAIM**

The ornamental design for an oven panel and door, as shown and described.

DESCRIPTION

FIG. 1 is a perspective view of an oven panel and door showing my new design; and, FIG. 2 is a front view thereof.

1 Claim, 2 Drawing Sheets

Related U.S. Application Data

(62) Division of application No. 29/434,334, filed on Oct. 11, 2012, now Pat. No. Des. 710,646.

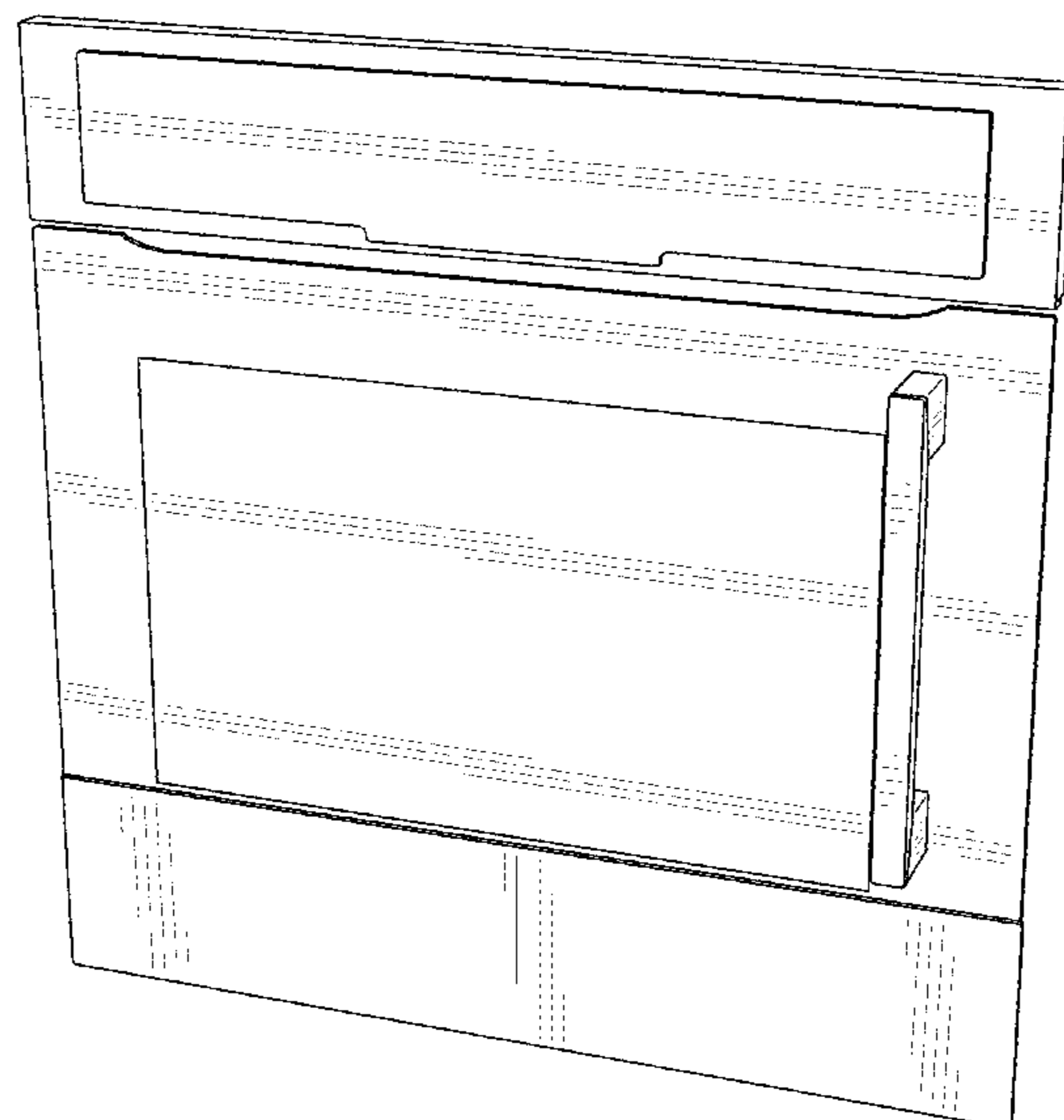
(30) **Foreign Application Priority Data**

| | | |
|---------------|------|----------------|
| Apr. 11, 2012 | (EM) | 002023945-0007 |
| Apr. 11, 2012 | (EM) | 002023945-0008 |
| Apr. 11, 2012 | (EM) | 002023945-0011 |
| Apr. 11, 2012 | (EM) | 002023945-0012 |
| Apr. 11, 2012 | (EM) | 002023945-0013 |
| Apr. 11, 2012 | (EM) | 002023945-0014 |
| Apr. 11, 2012 | (EM) | 002023945-0021 |
| Apr. 11, 2012 | (EM) | 002023945-0022 |

(51) **LOC (10) Cl.** **07-02**

(52) **U.S. Cl.**
USPC **D7/405**

(58) **Field of Classification Search**
CPC A21B 1/00; F24C 5/00; F24C 7/00; F24C 7/04; F24C 15/00; F24C 15/006; F24C 15/02; F24C 15/04; F24C 15/06; F24C 15/30; F24C 14/00



(56)

References Cited

U.S. PATENT DOCUMENTS

| | | | | | | |
|------------|---------|---------------|-----------------|---------|--------------------|--------|
| D626,782 S | 11/2010 | Busalt et al. | D668,108 S | 10/2012 | Börjesson | |
| D646,113 S | 10/2011 | Park et al. | D668,109 S | 10/2012 | Börjesson | |
| D654,299 S | 2/2012 | Benold | D668,110 S | 10/2012 | Börjesson | |
| D654,313 S | 2/2012 | Benold | D668,111 S | 10/2012 | Börjesson | |
| D654,314 S | 2/2012 | Benold | D668,112 S | 10/2012 | Börjesson | |
| D654,315 S | 2/2012 | Benold | D677,024 S | 2/2013 | Börjesson | |
| D664,388 S | 7/2012 | Park et al. | D709,726 S * | 7/2014 | Borjesson | D7/349 |
| D668,106 S | 10/2012 | Börjesson | D710,646 S * | 8/2014 | Borjesson | D7/349 |
| D668,107 S | 10/2012 | Börjesson | 2008/0184985 A1 | 8/2008 | Hasslberger et al. | |
| | | | 2009/0194092 A1 | 8/2009 | Shon et al. | |
| | | | 2010/0199966 A1 | 8/2010 | Iwamoto et al. | |

* cited by examiner

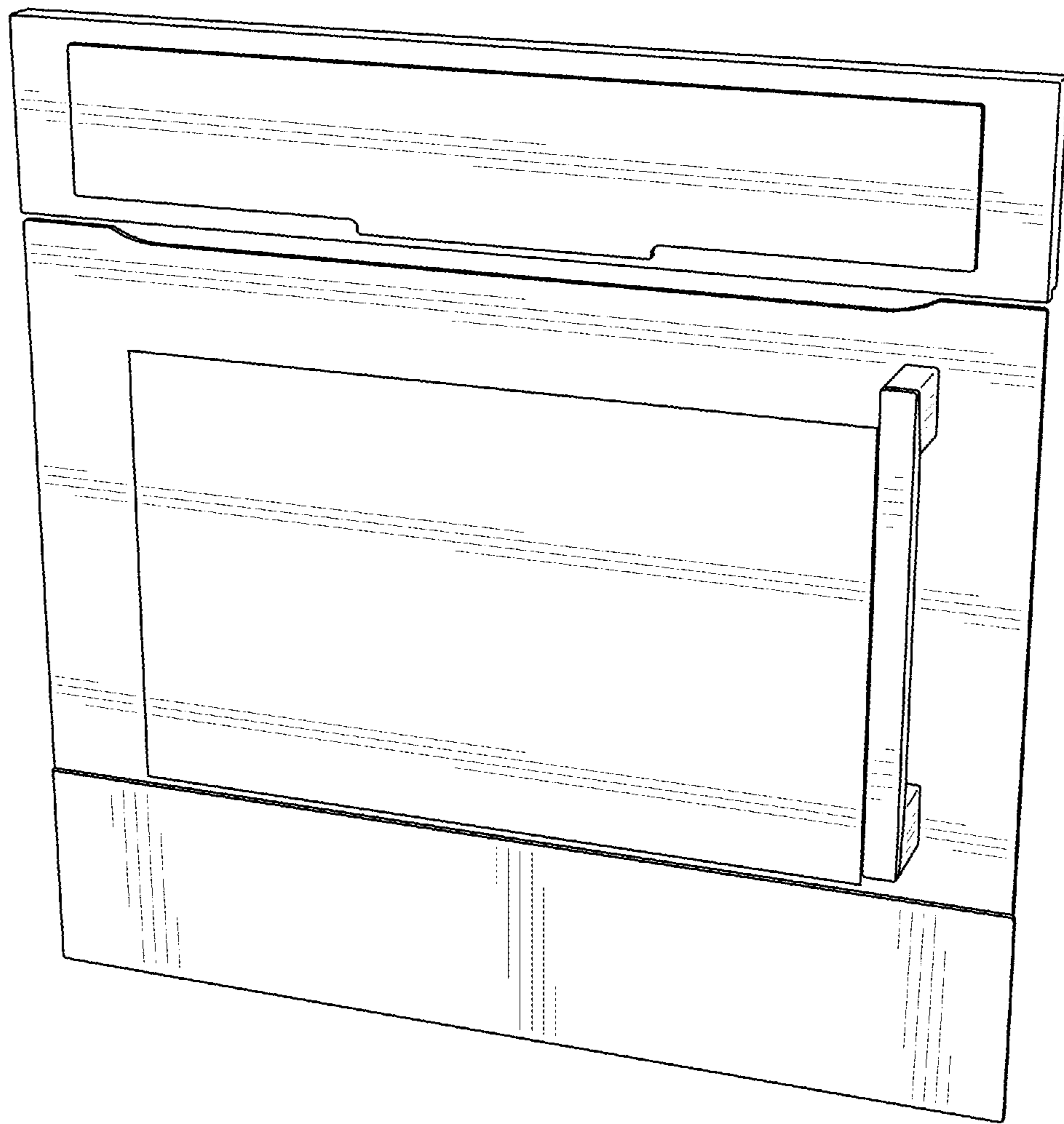


FIG. 1

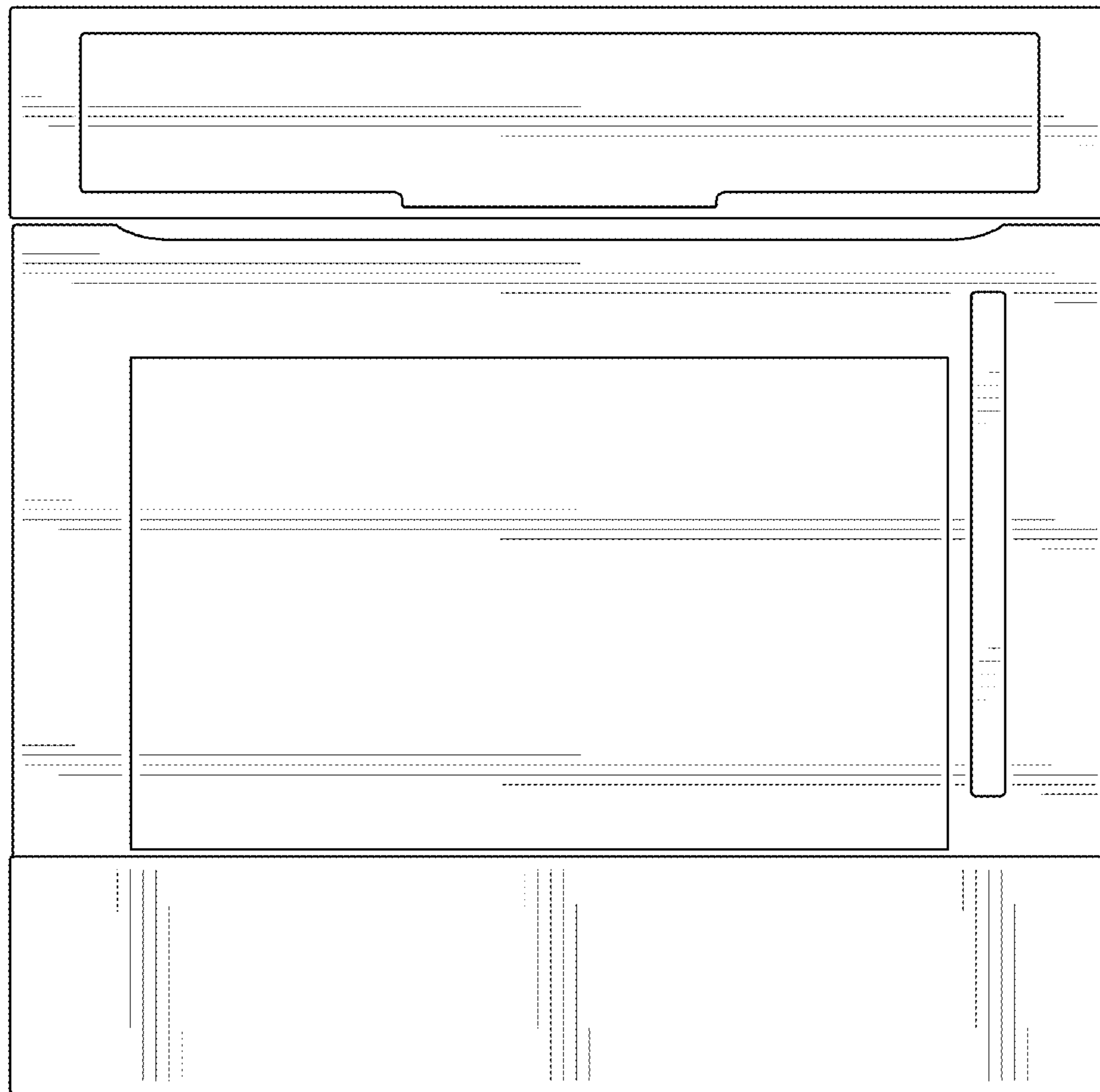


FIG. 2