



US00D728306S

(12) **United States Design Patent**  
**Kitano et al.**

(10) **Patent No.:** **US D728,306 S**

(45) **Date of Patent:** **\*\* May 5, 2015**

(54) **BEER DISPENSER**

(56) **References Cited**

(71) Applicants: **Junichi Kitano**, Moriya (JP); **Kenji Kato**, Tokyo (JP); **Kosuke Yoshimura**, Tokyo (JP); **Soichiro Nishimura**, Tokyo (JP); **Teruhiko Kitamura**, Tokyo (JP)

U.S. PATENT DOCUMENTS

2,876,042	A	*	3/1959	Steele	.....	239/445
3,355,068	A	*	11/1967	Harland et al.	.....	222/30
D280,880	S	*	10/1985	Schweres	.....	D7/398
D411,710	S	*	6/1999	Watters et al.	.....	D7/398
D483,609	S	*	12/2003	Guadalupi	.....	D7/398
D485,121	S	*	1/2004	Ahlgrim et al.	.....	D7/398
D590,207	S	*	4/2009	Bronwasser	.....	D7/398
D636,224	S	*	4/2011	Shin	.....	D7/398
D694,055	S	*	11/2013	Hirst	.....	D7/306
D702,475	S	*	4/2014	Dalton et al.	.....	D7/306
D708,011	S	*	7/2014	Liberatore	.....	D7/398

(72) Inventors: **Junichi Kitano**, Moriya (JP); **Kenji Kato**, Tokyo (JP); **Kosuke Yoshimura**, Tokyo (JP); **Soichiro Nishimura**, Tokyo (JP); **Teruhiko Kitamura**, Tokyo (JP)

(73) Assignee: **Asahi Breweries, Ltd.**, Tokyo (JP)

\* cited by examiner

(\*\*) Term: **14 Years**

*Primary Examiner* — Marianne Pandozzi

(21) Appl. No.: **29/474,100**

(74) *Attorney, Agent, or Firm* — Manabu Kanesaka

(22) Filed: **May 30, 2014**

(57) **CLAIM**

The ornamental design for a beer dispenser, as shown and described.

(30) **Foreign Application Priority Data**

**DESCRIPTION**

Mar. 24, 2014 (JP) ..... 2014-006086

(51) **LOC (10) Cl.** ..... **07-99**

FIG. 1 is a perspective view of a beer dispenser showing our new design;

(52) **U.S. Cl.**  
USPC ..... **D7/398**; D7/313; D7/397; D7/306

FIG. 2 is a front view thereof;

(58) **Field of Classification Search**  
CPC ..... B67D 1/0084  
USPC ..... D7/397, 301, 300, 398, 313, 306-308;  
239/445, 583; 222/511, 25, 192,  
222/153.02

FIG. 3 is a rear view thereof;

FIG. 4 is a right side view thereof;

FIG. 5 is a left side view thereof;

FIG. 6 is a top plan view thereof; and,

FIG. 7 is a bottom view thereof.

See application file for complete search history.

**1 Claim, 5 Drawing Sheets**

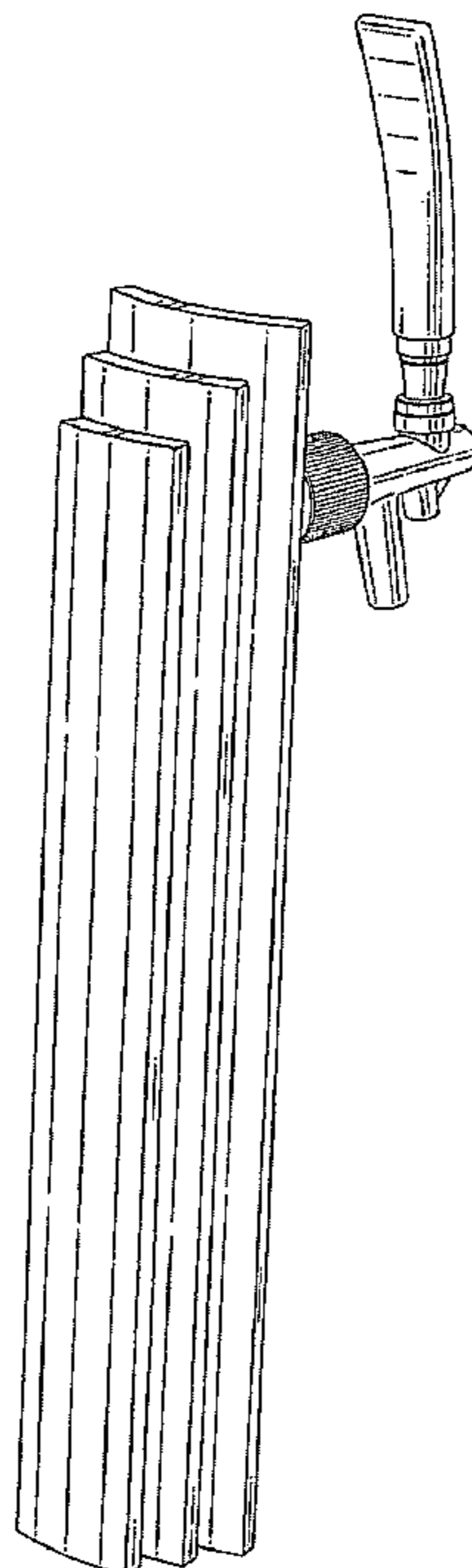


Fig. 1

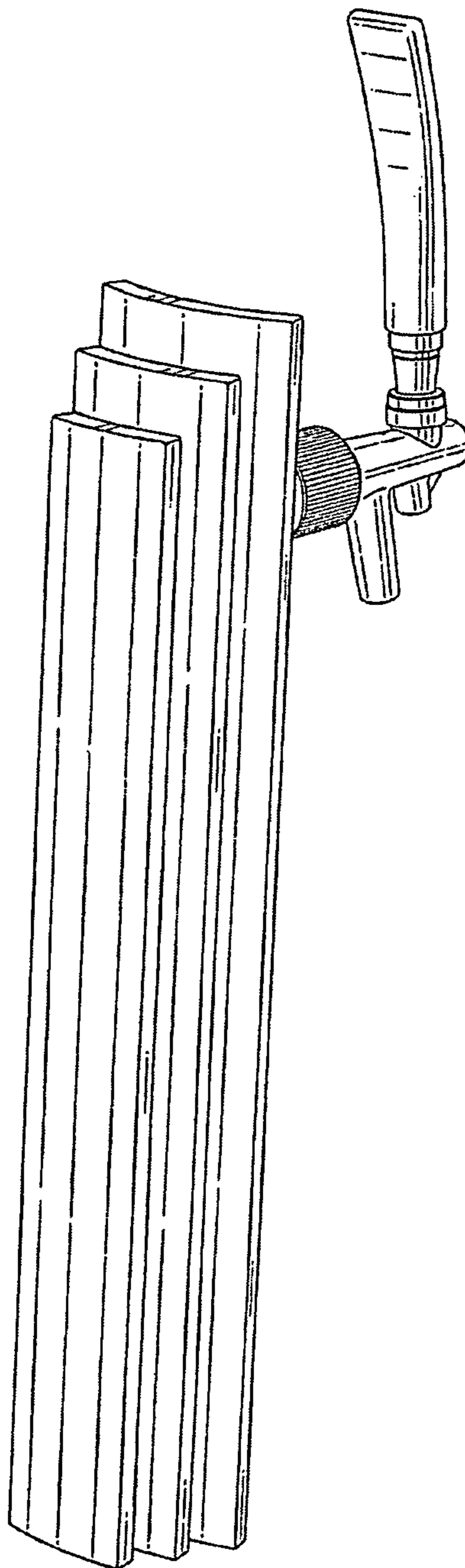


Fig. 2

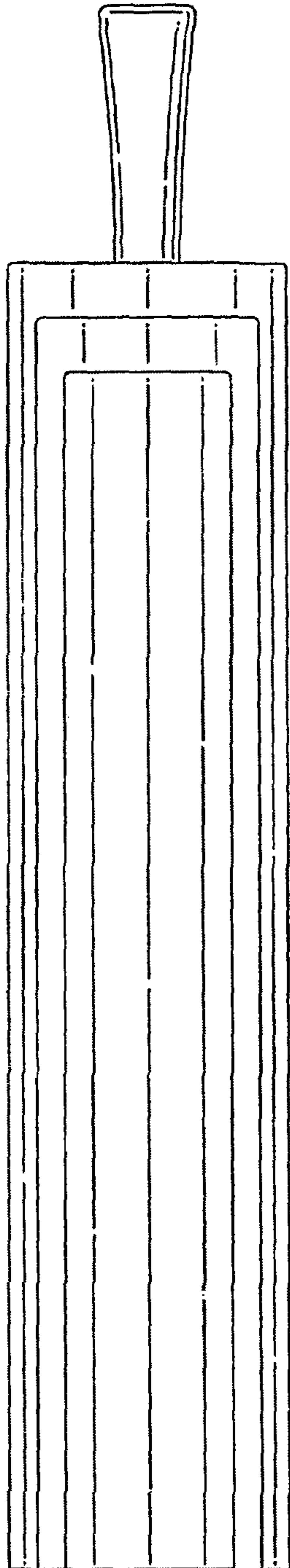


Fig. 3

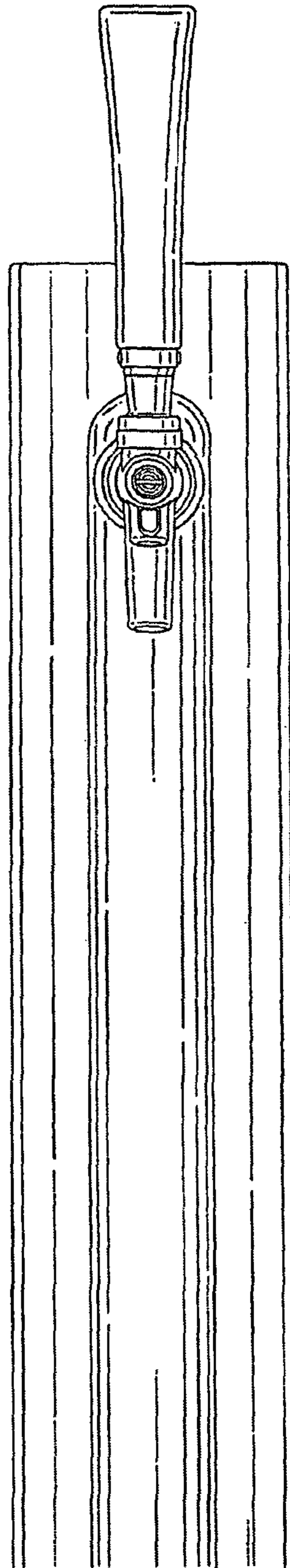


Fig. 4

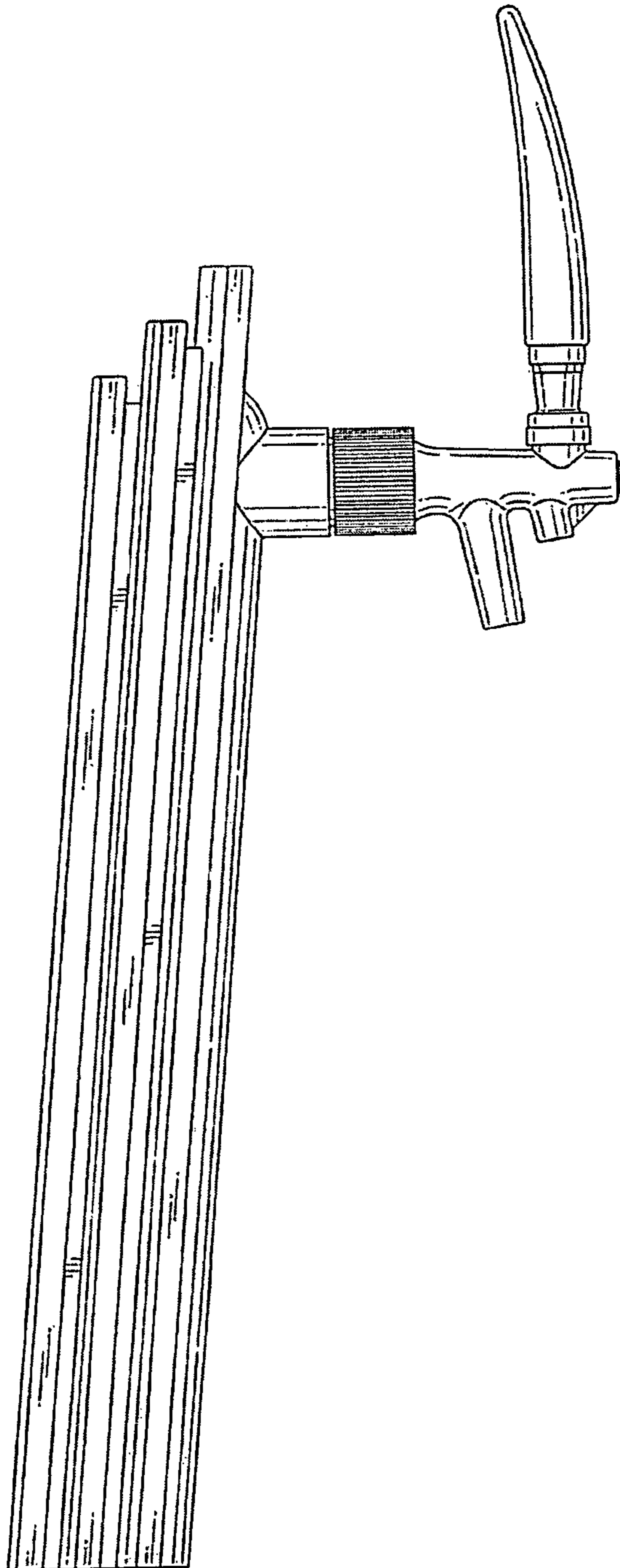


Fig. 5

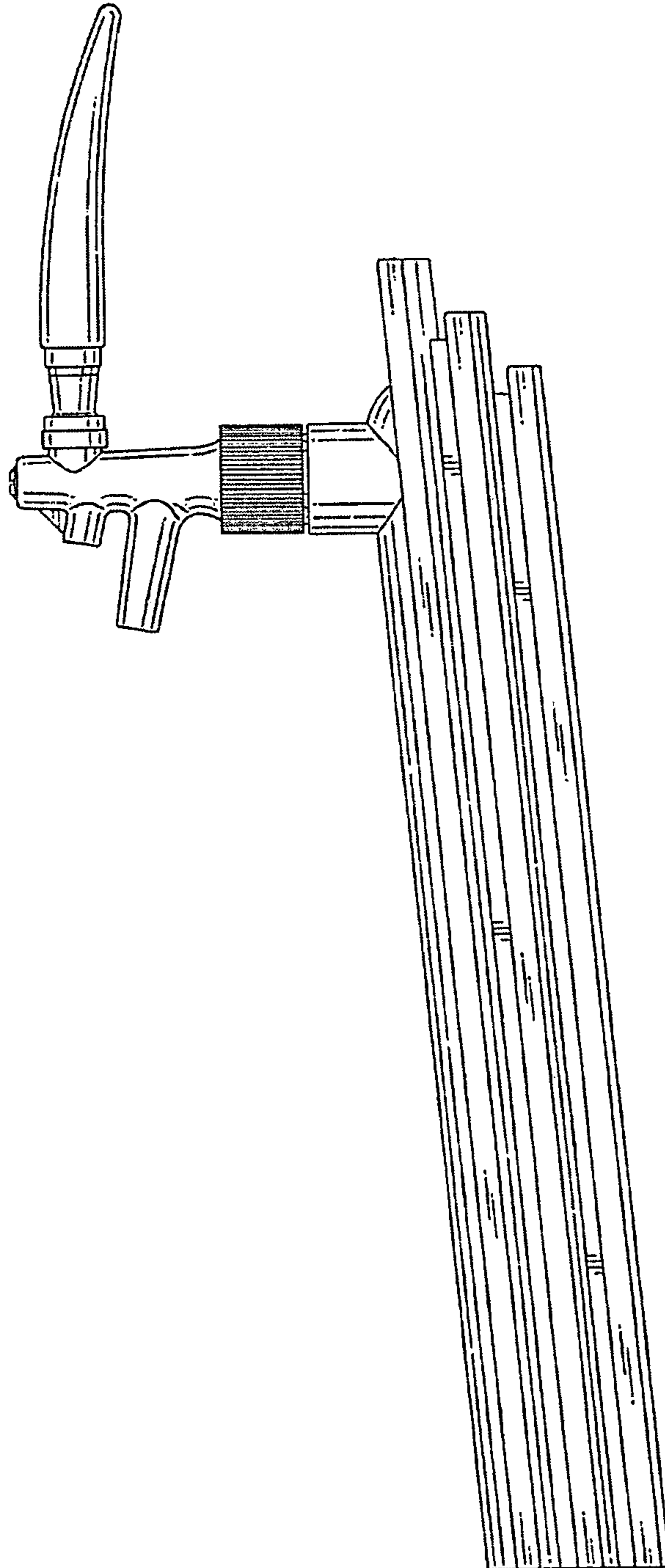


Fig. 6

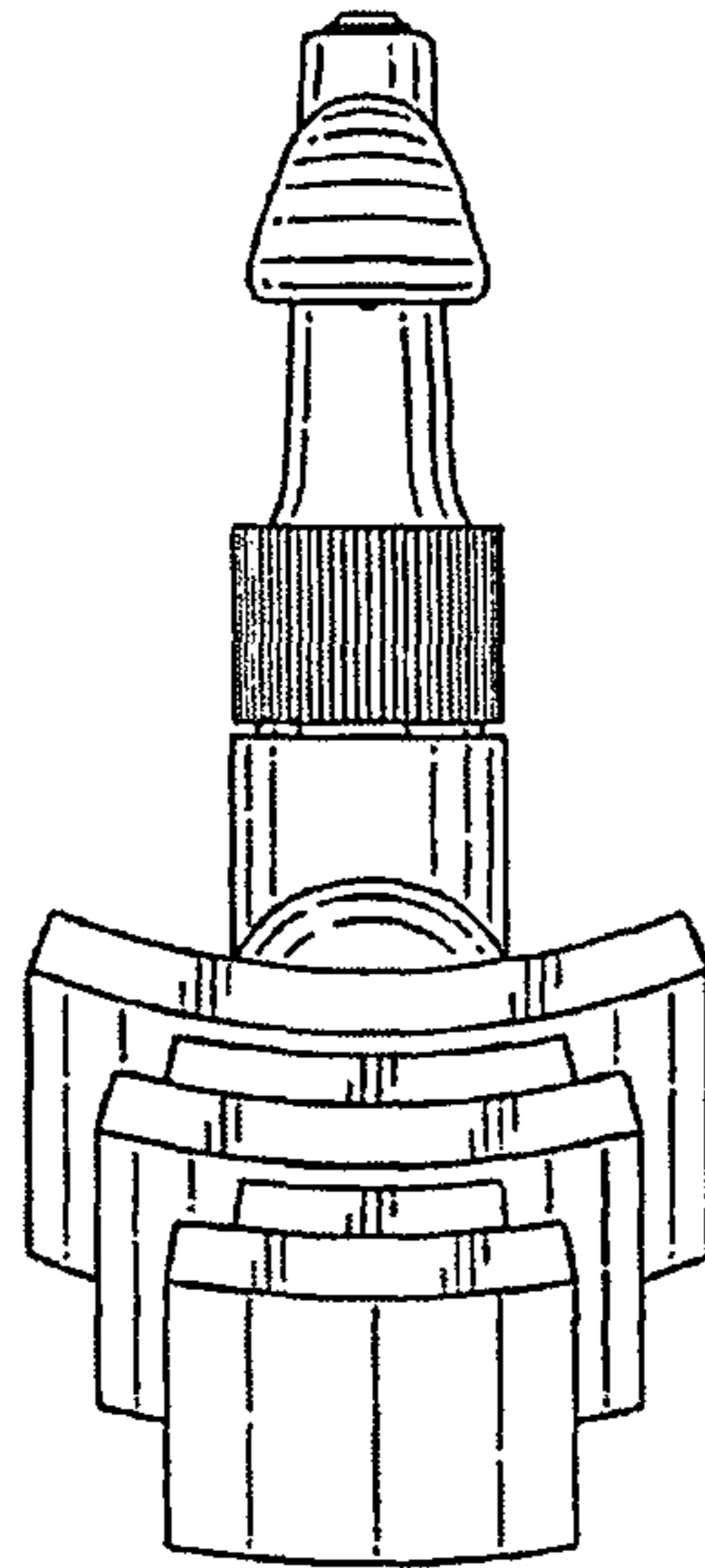


Fig. 7

