



US00D728305S

(12) **United States Design Patent**
Henry et al.

(10) **Patent No.:** **US D728,305 S**

(45) **Date of Patent:** **** May 5, 2015**

- (54) **TRIVET**
- (71) Applicant: **Robinson Home Products Inc.,**
Williamsville, NY (US)
- (72) Inventors: **Lou Henry, Scarsdale, NY (US); John Healy, Brooklyn, NY (US)**
- (73) Assignee: **Robinson Home Products Inc.,**
Williamsville, NY (US)
- (**) Term: **14 Years**
- (21) Appl. No.: **29/483,604**
- (22) Filed: **Feb. 28, 2014**
- (51) **LOC (10) Cl.** **31-00**
- (52) **U.S. Cl.**
USPC **D7/388; D7/624.1**
- (58) **Field of Classification Search**
CPC A47J 36/34; A47J 45/10; A47J 47/16;
F24B 1/00; F16M 1/00; F16M 13/00; B65D
19/00
USPC D7/388, 403, 409, 624.1, 501, 389, 408,
D7/387, 624.2, 530, 698, 672, 550.1,
D7/554.3; 248/346.01, 152, 150, 176.2,
248/126, 127, 346.5; 126/214 C; D34/38;
D5/1, 2; D32/57; D6/403, 404;
D21/426; D27/109, 127; D24/211;
D23/397
See application file for complete search history.

5,302,049	A *	4/1994	Schmanski	404/42
D348,809	S *	7/1994	Ladwig	D7/698
D374,537	S *	10/1996	de Bruyn et al.	D34/38
D382,352	S *	8/1997	Berger	D25/157
D418,375	S *	1/2000	Goodman et al.	D7/624.1
6,718,714	B1 *	4/2004	Montgomery, Sr.	52/392
D507,463	S *	7/2005	Brookman et al.	D7/698
D507,939	S *	8/2005	Mitchell, Jr.	D7/629
D512,281	S *	12/2005	Omdoll et al.	D7/698
D514,765	S *	2/2006	Dretzka	D32/57
D517,759	S *	3/2006	Dretzka	D32/57
D518,248	S *	3/2006	Northrop	D30/161
7,048,243	B1 *	5/2006	Steinman	248/346.01
D563,180	S *	3/2008	Young et al.	D7/698
D581,726	S *	12/2008	Shamoon	D7/388
D619,412	S *	7/2010	Joseph	D7/388
D641,598	S *	7/2011	Hashim	D7/698
D653,457	S *	2/2012	Della Valle et al.	D5/58
D673,004	S *	12/2012	Lion et al.	D7/359
D686,047	S *	7/2013	Oh	D7/698
D687,524	S *	8/2013	Heiser	D23/261
D709,247	S *	7/2014	Gailen	D30/121
8,920,066	B1 *	12/2014	Meyers	404/19

* cited by examiner

Primary Examiner — Marianne Pandozzi

Assistant Examiner — Jae Liang

(74) *Attorney, Agent, or Firm* — Florek & Endres PLLC

(57) **CLAIM**

We claim the ornamental design for a trivet, as shown and described.

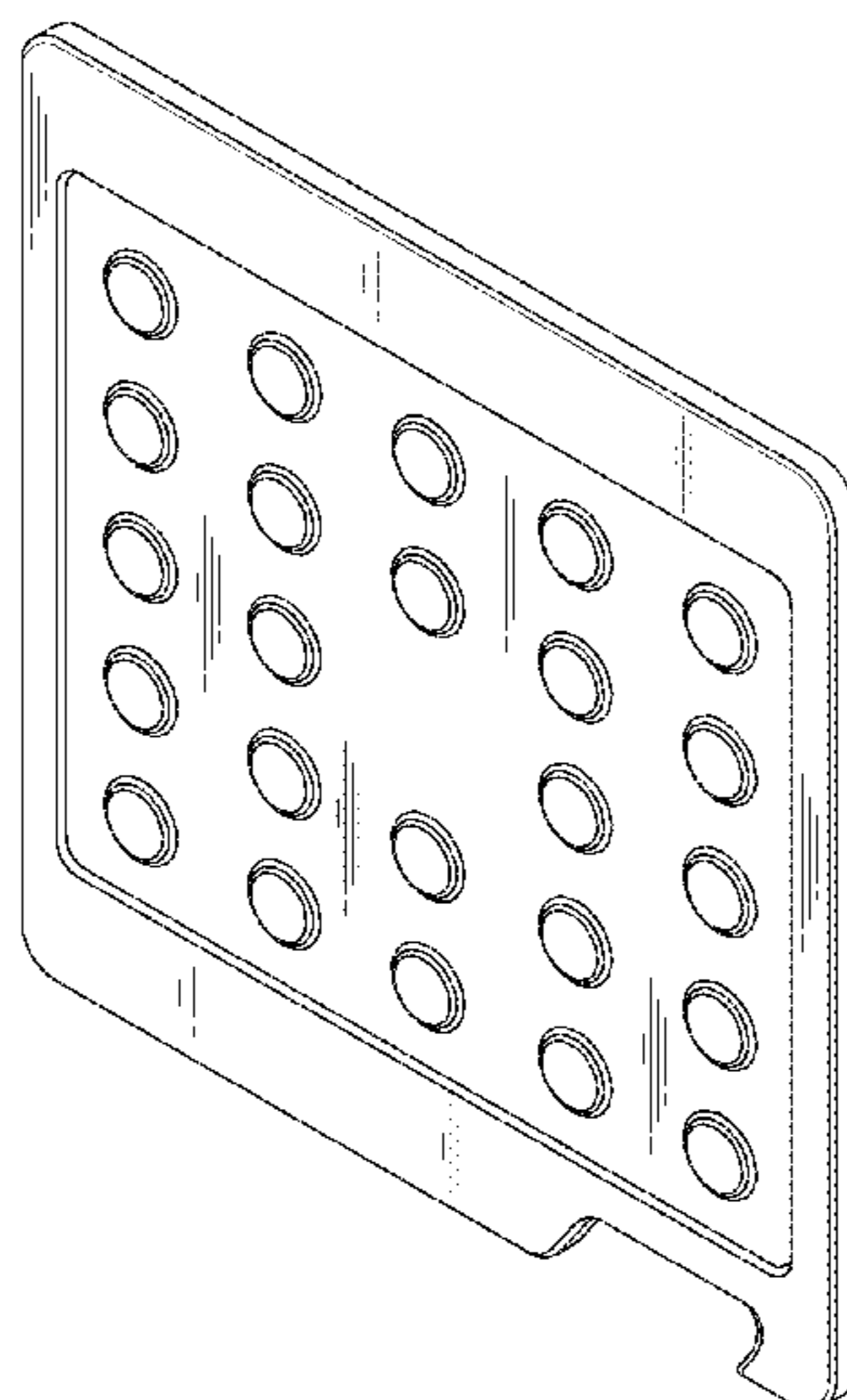
DESCRIPTION

FIG. 1 is a perspective view of a trivet showing our new design;
 FIG. 2 is a left side elevational view thereof;
 FIG. 3 is a right side elevational view thereof;
 FIG. 4 is a front elevational view thereof;
 FIG. 5 is a rear elevational view thereof;
 FIG. 6 is a top plan view thereof; and,
 FIG. 7 is a bottom plan view thereof.

1 Claim, 5 Drawing Sheets

(56) **References Cited**
U.S. PATENT DOCUMENTS

2,284,494	A *	5/1942	Oakley	4/657
D215,957	S *	11/1969	De Palmo	D7/357
D224,133	S *	7/1972	Swett	D32/55
D263,389	S *	3/1982	Nordstrom	D34/38
4,715,743	A *	12/1987	Schmanski	404/9
D308,461	S *	6/1990	Hosea	D7/549
D309,234	S *	7/1990	Howell	D7/409
D337,483	S *	7/1993	Newton et al.	D7/409



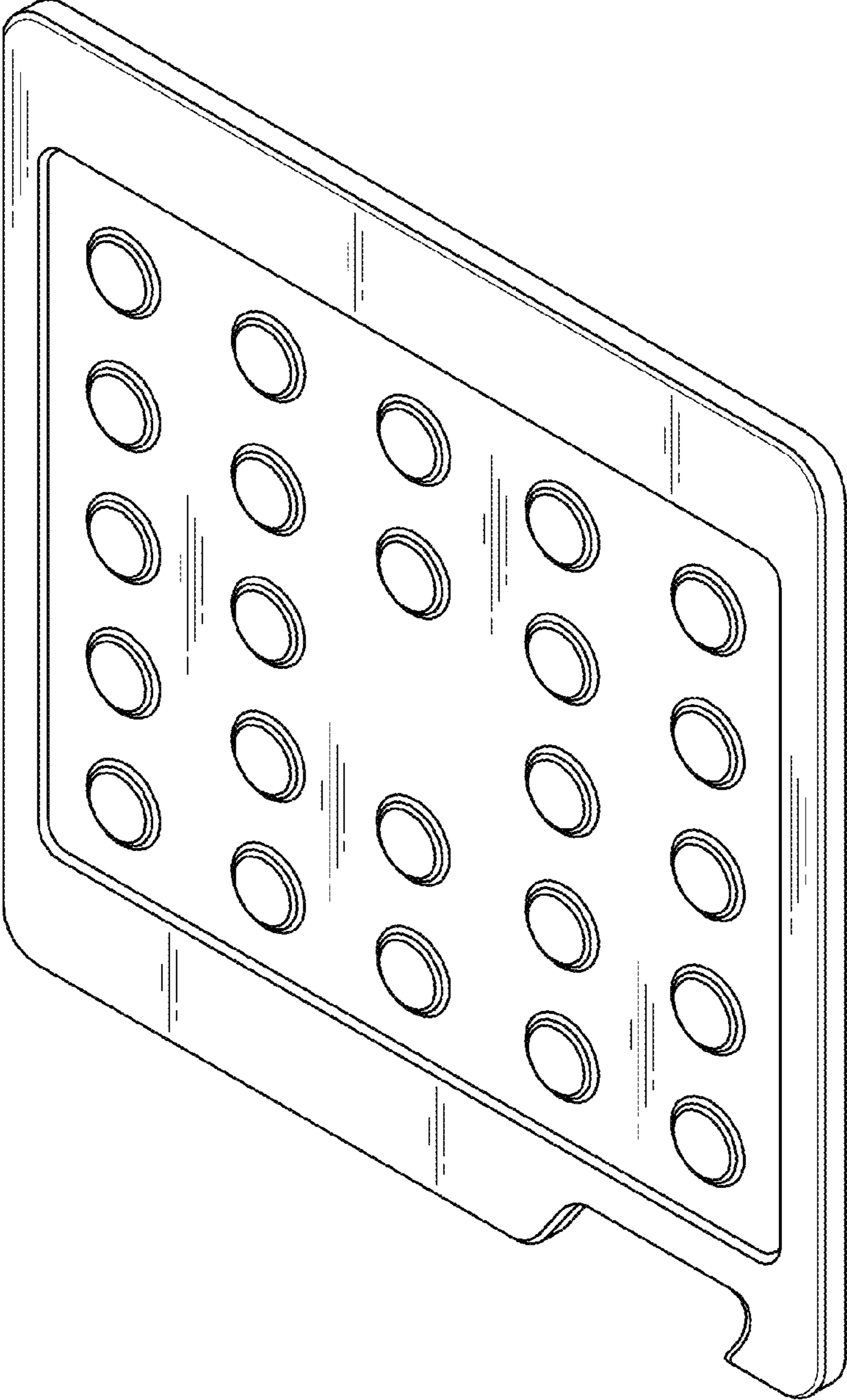


FIG. 1



FIG. 2



FIG. 3

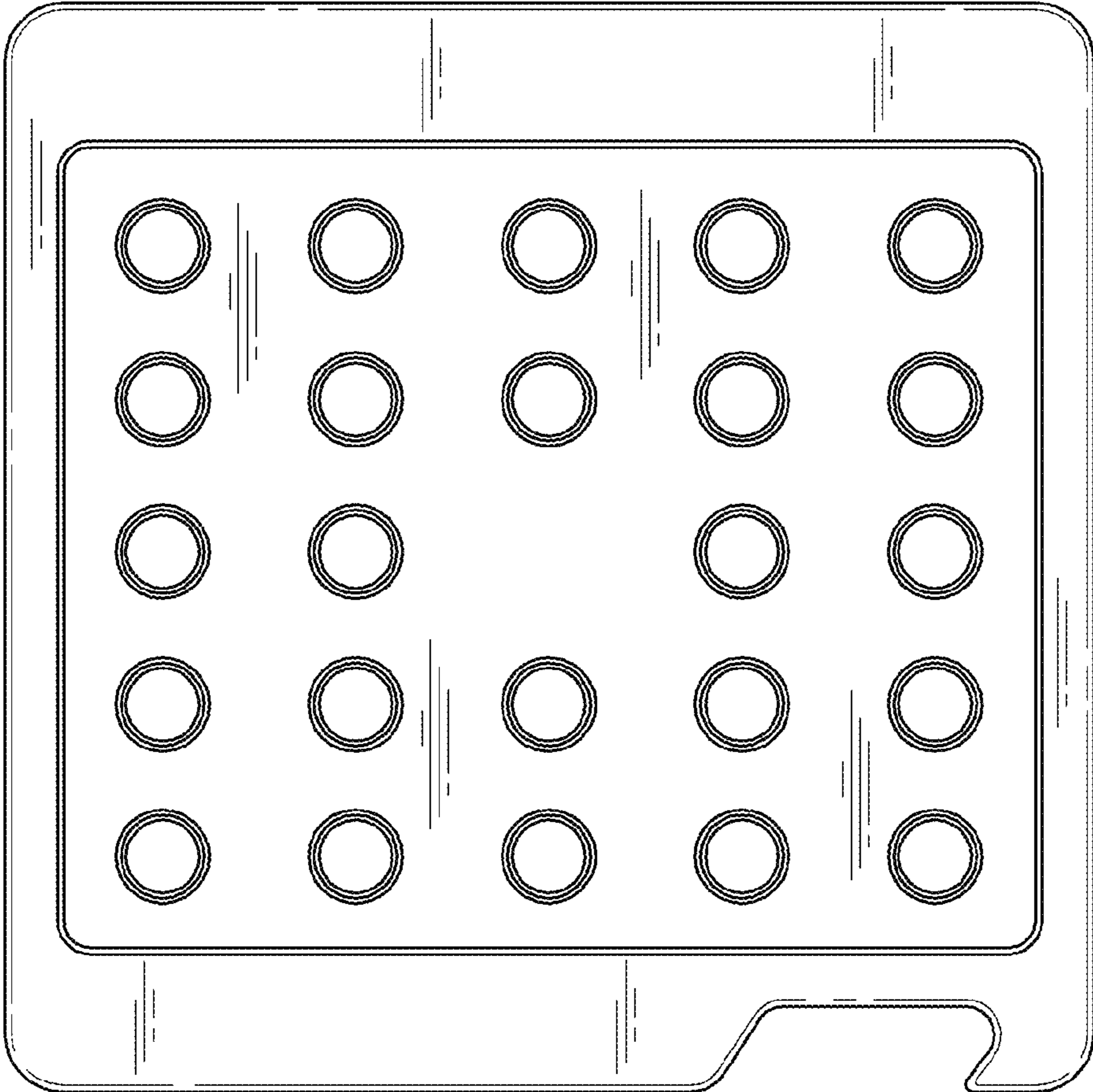


FIG. 4

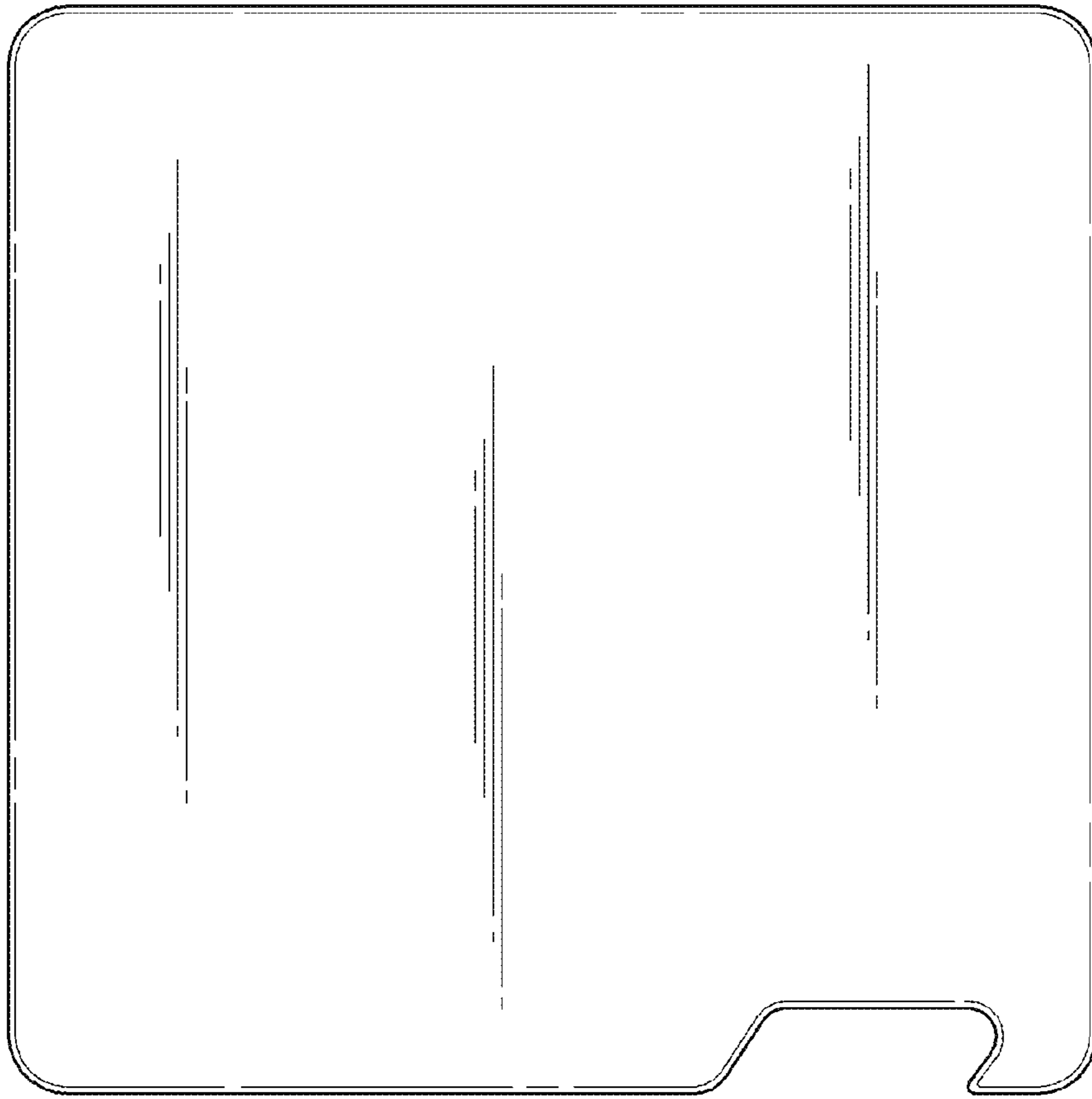


FIG. 5



FIG. 6



FIG. 7