



US00D728303S

(12) **United States Design Patent**
Vu et al.

(10) **Patent No.:** **US D728,303 S**
(45) **Date of Patent:** **** May 5, 2015**

(54) **BLENDER**

366/64–65, 97–98, 100, 130, 197–201,
366/205–207, 219–220, 341–343

(71) Applicant: **De’Longhi Braun Household GmbH**

See application file for complete search history.

(72) Inventors: **Duy Phong Vu**, Schwalbach am Taunus (DE); **Markus Orthey**, Eltville am Rhein (DE); **Sven Wuttig**, Griesheim (DE); **Dennis Müller**, Frankfurt am Main (DE)

(56)

References Cited

U.S. PATENT DOCUMENTS

D114,673	S	*	5/1939	Cravaritis	D7/300.1
D175,601	S	*	9/1955	Huck	D7/386
D199,888	S	*	12/1964	Dewenter	D7/378
D394,986	S	*	6/1998	Lallemant	D7/378
D448,236	S	*	9/2001	Murray	D7/326
D448,967	S	*	10/2001	Planca et al.	D7/378
D453,443	S	*	2/2002	Hoare et al.	D7/378
D466,362	S	*	12/2002	Moore	D7/378
D510,238	S	*	10/2005	Yen	D7/665
D543,072	S	*	5/2007	Ting et al.	D7/378

(Continued)

Primary Examiner — Ricky Pham

(73) Assignee: **De’Longhi Braun Household GmbH**, Neu-Isenburg (DE)

(**) Term: **14 Years**

(21) Appl. No.: **29/483,993**

(22) Filed: **Mar. 5, 2014**

(30) **Foreign Application Priority Data**

Sep. 6, 2013 (EM) 002303990-0027

(51) **LOC (10) Cl.** **31-00**

(52) **U.S. Cl.**
USPC **D7/378**; D7/376; D7/379

(58) **Field of Classification Search**
CPC A21C 1/02; A21C 1/04; A23N 1/00;
A23N 1/02; A47J 27/62; A47J 43/04; A47J
43/25; A47J 43/27; A47J 43/042; A47J
43/044; A47J 43/046; A47J 43/075; A47J
43/0722; A47J 43/0727; B01F 3/00; B01F
3/0807; B01F 3/0853; B01F 13/0059; B01F
13/0064; B02C 1/08; B02C 2/04; B02C 4/42;
B02C 4/142; B02C 4/143; B02C 4/423;
B02C 13/1835; B02C 5/10; B02C 5/12;
B02C 5/14; B02C 5/16
USPC D7/300.1, 326, 372, 376–386, 412–413,
D7/602, 629, 665–666, 669, 679,
D7/693–694; 99/509–511; 219/720;
241/92, 98, 101.01–101.2, 166–169.1,
241/274–278.2, 285.1–285.3, 291, 292.1;

(74) *Attorney, Agent, or Firm* — Fish & Richardson P.C.

(57)

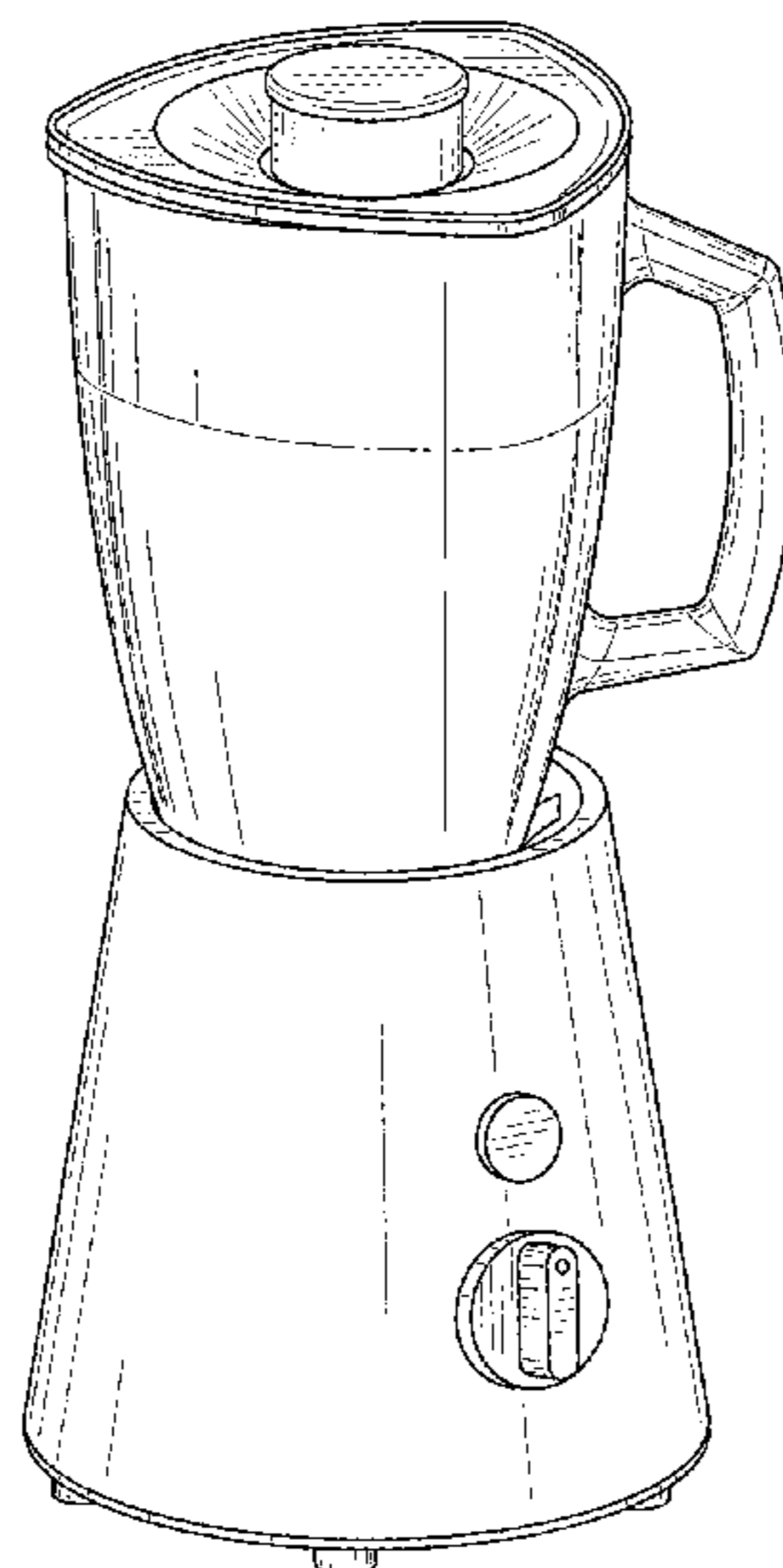
CLAIM

The ornamental design for a blender, substantially as shown and described.

DESCRIPTION

FIG. 1 is a front view of a blender of the design.
FIG. 2 is a rear view of a blender of the design.
FIG. 3 is a right side view of a blender of the design.
FIG. 4 is an opposite, left side view of a blender of the design.
FIG. 5 is a top view of a blender of the design.
FIG. 6 is a bottom view of a blender of the design; and,
FIG. 7 is a top, front and right side perspective view of a blender of the design.

1 Claim, 4 Drawing Sheets



(56)

References Cited

U.S. PATENT DOCUMENTS

D716,096 S * 10/2014 Kroshof et al. D7/326
2006/0043088 A1 * 3/2006 Ancona et al. 219/720

D597,372 S * 8/2009 Nordwall et al. D7/378 * cited by examiner

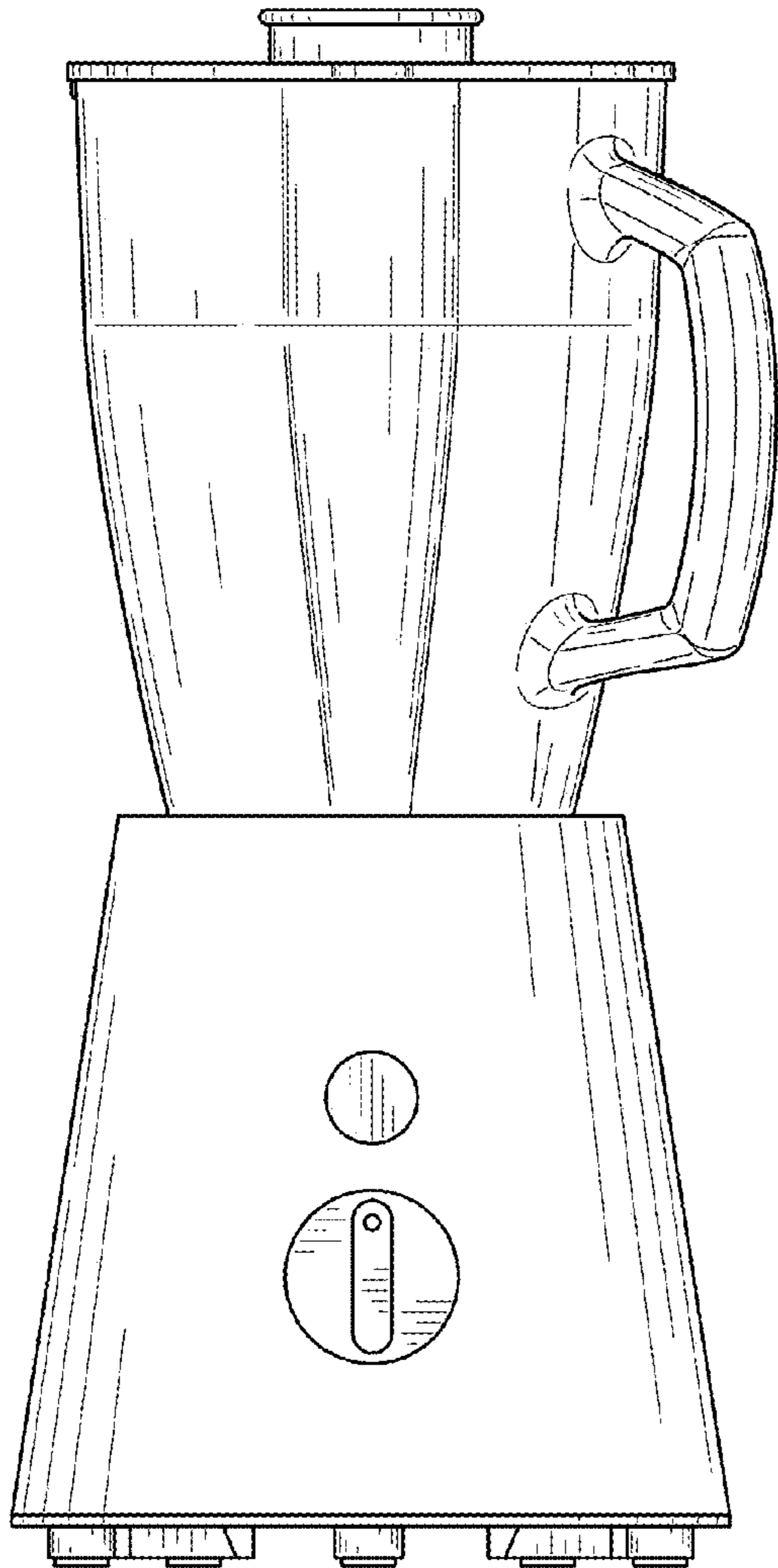


FIG. 1

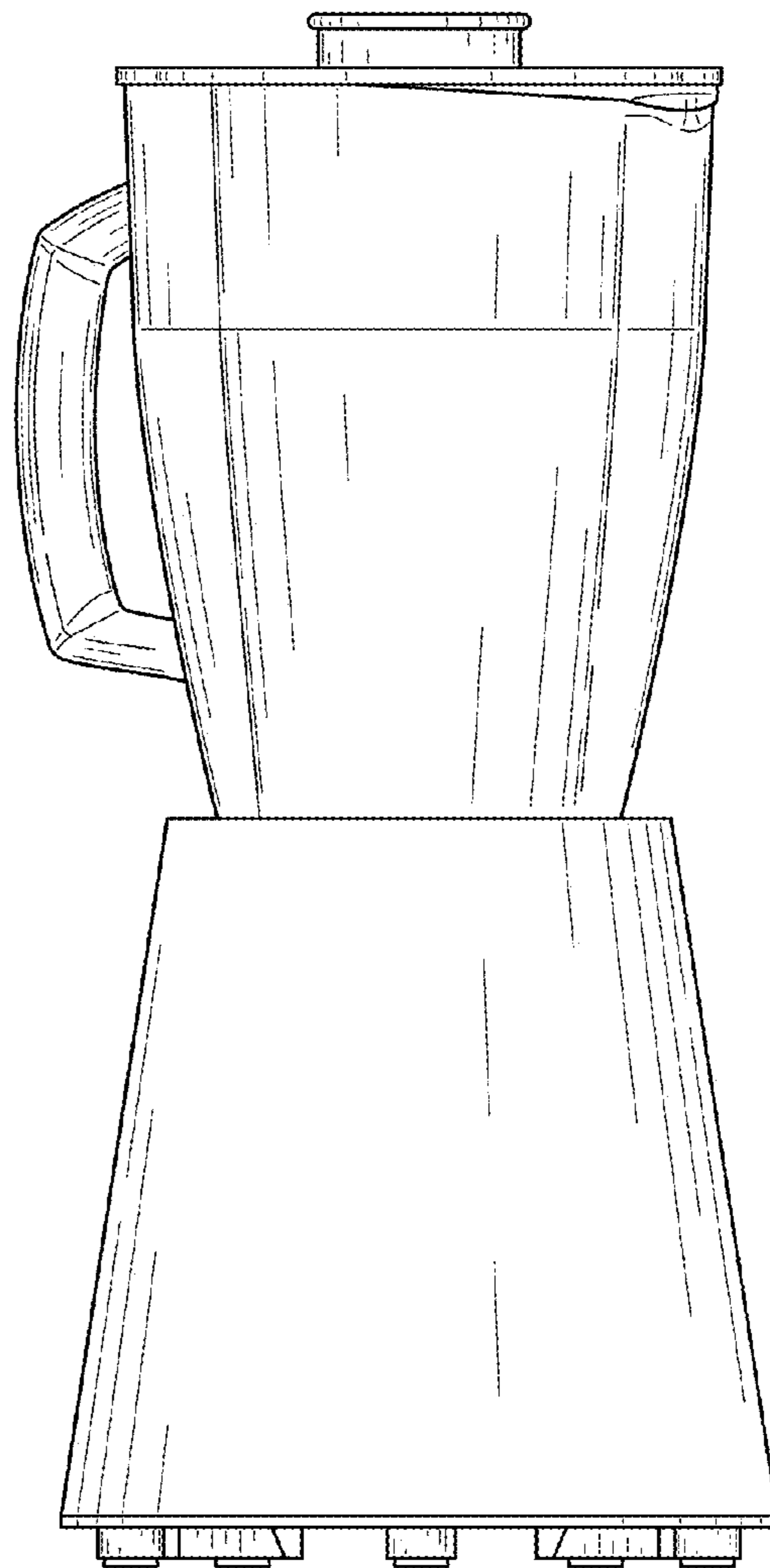


FIG. 2

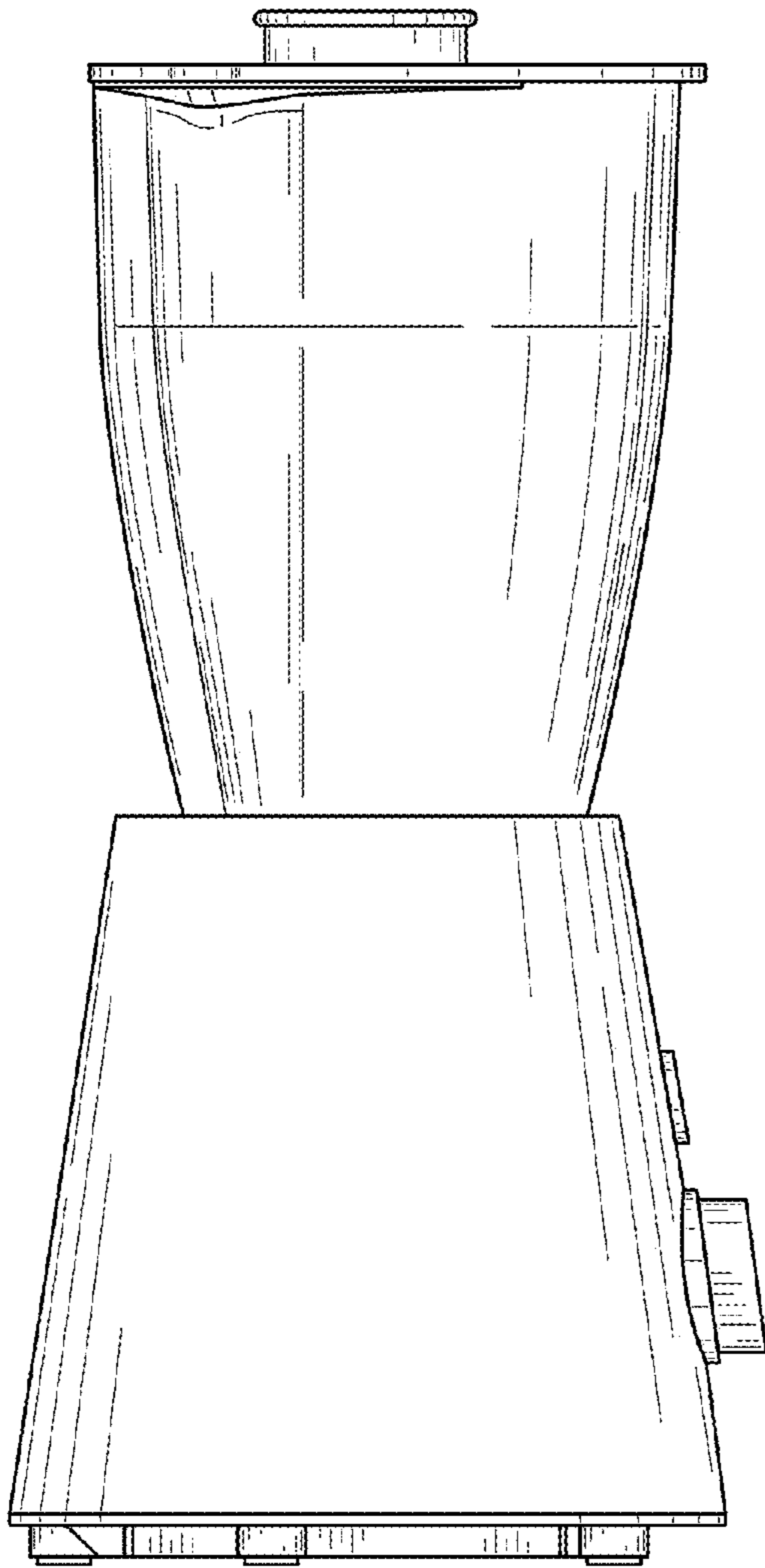


FIG. 3

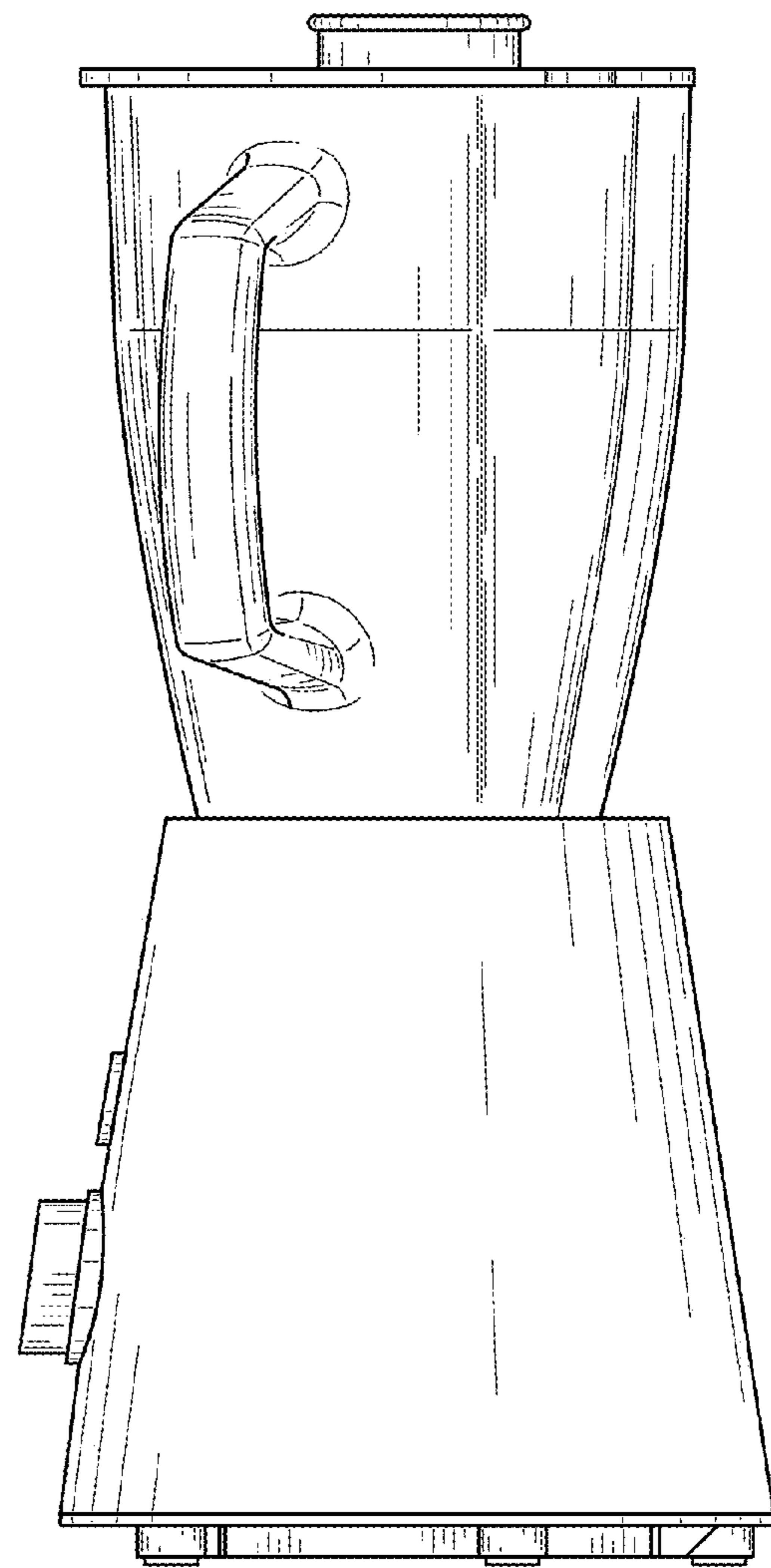


FIG. 4

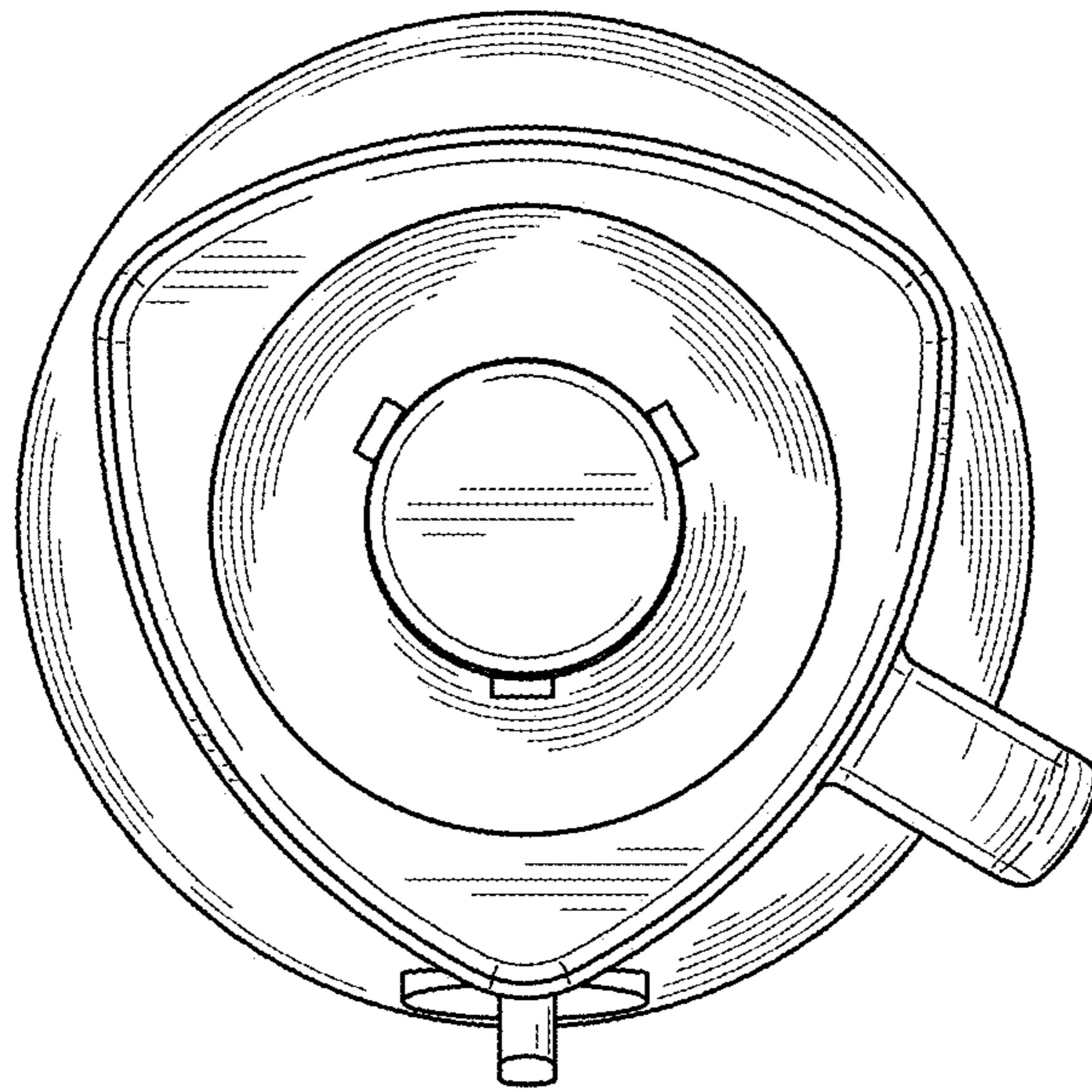


FIG. 5

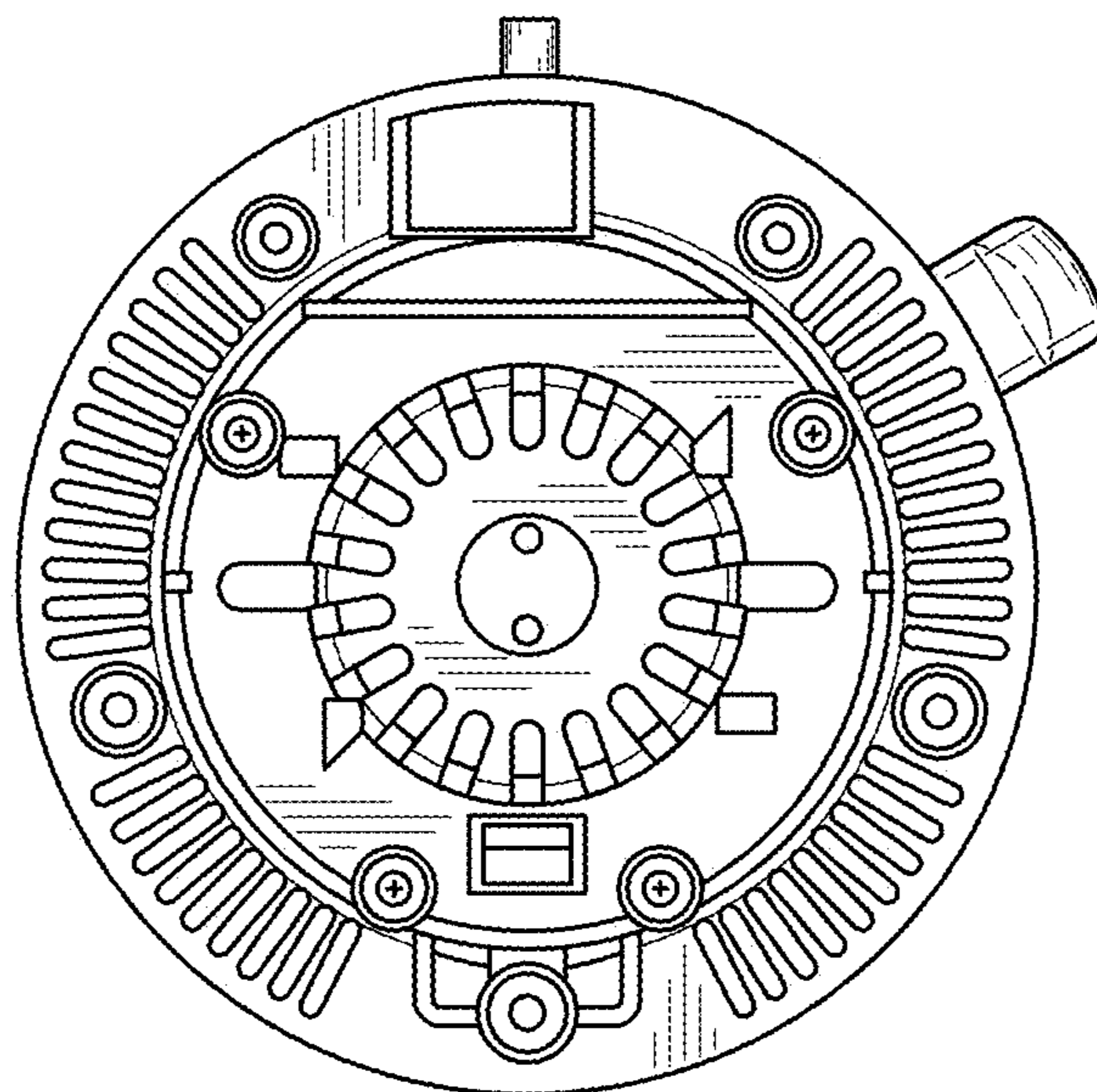


FIG. 6

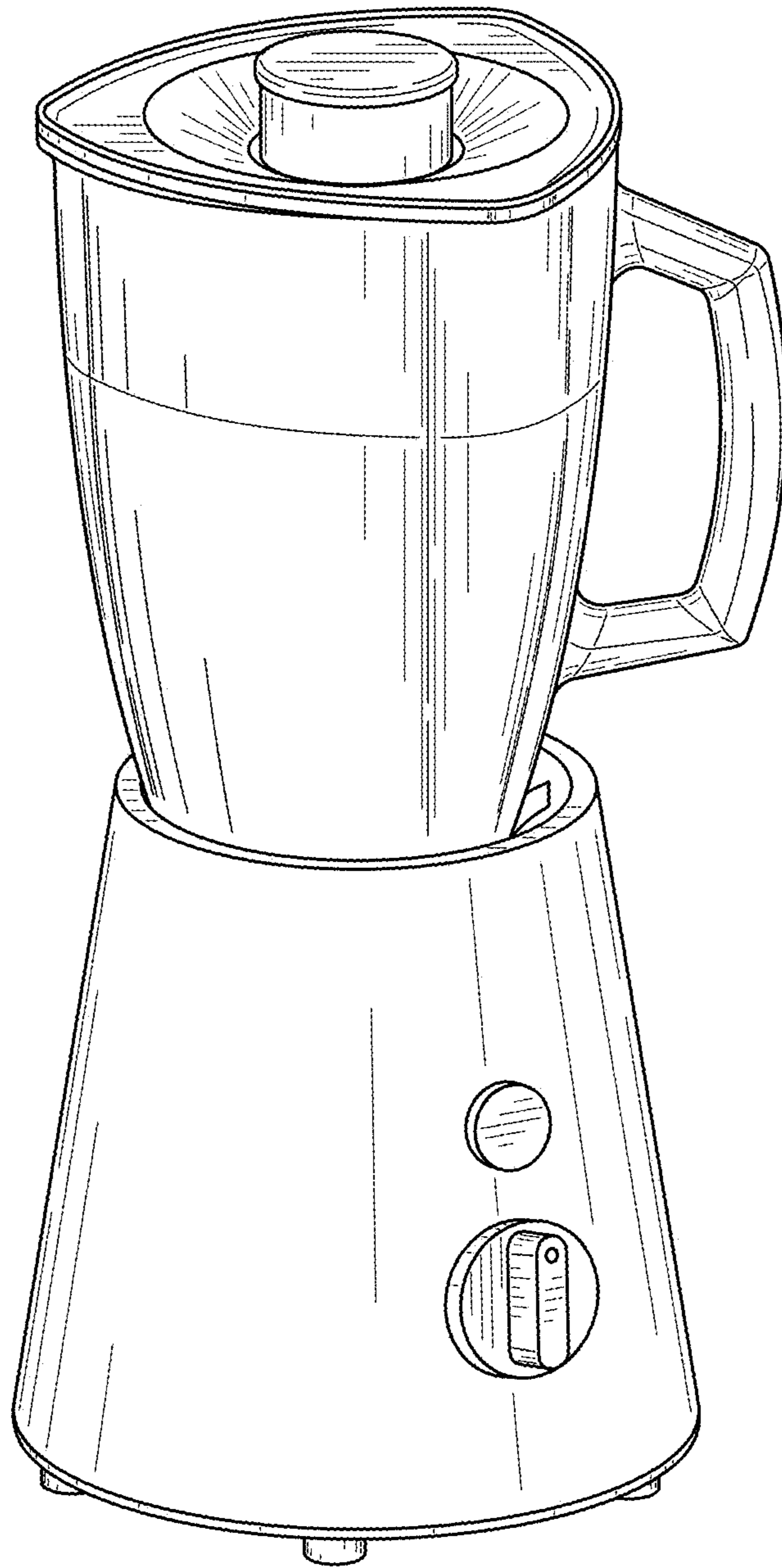


FIG. 7