



US00D728302S

(12) **United States Design Patent**  
**Vu et al.**

(10) **Patent No.:** **US D728,302 S**  
(45) **Date of Patent:** **\*\* May 5, 2015**

(54) **BLENDER**

366/64–65, 97–98, 100, 130, 197–201,  
366/205–207, 219–220, 341–343

(71) Applicant: **De’Longhi Braun Household GmbH**,  
Neu-Isenburg (DE)

See application file for complete search history.

(72) Inventors: **Duy Phong Vu**, Schwalbach am Taunus  
(DE); **Markus Orthey**, Eltville am  
Rhein (DE); **Sven Wuttig**, Griesheim  
(DE); **Dennis Müller**, Frankfurt am  
Main (DE)

(56)

**References Cited**

U.S. PATENT DOCUMENTS

3,175,594	A	*	3/1965	Jepson et al.	.....	241/199.12
D204,924	S	*	5/1966	Di Sesa	.....	D7/378
D502,358	S	*	3/2005	Weaden	.....	D7/378
D519,314	S	*	4/2006	Blaise	.....	D7/378
D553,425	S	*	10/2007	Steiner et al.	.....	D7/378
D553,426	S	*	10/2007	Lin	.....	D7/378
D556,506	S	*	12/2007	Spagnolo	.....	D7/378
D578,340	S	*	10/2008	Picozza et al.	.....	D7/378
D613,547	S	*	4/2010	Day et al.	.....	D7/378
D629,643	S	*	12/2010	Bower	.....	D7/378

(Continued)

(73) Assignee: **De’Longhi Braun Household GmbH**,  
Neu-Isenburg (DE)

(\*\*) Term: **14 Years**

*Primary Examiner* — Ricky Pham

(21) Appl. No.: **29/483,981**

(22) Filed: **Mar. 5, 2014**

(74) *Attorney, Agent, or Firm* — Fish & Richardson P.C.

(30) **Foreign Application Priority Data**

Sep. 6, 2013 (EM) ..... 002303990-0001

(51) **LOC (10) Cl.** ..... **31-00**

(52) **U.S. Cl.**  
USPC ..... **D7/378; D7/376; D7/379**

(58) **Field of Classification Search**

CPC ..... A21C 1/02; A21C 1/04; A23N 1/00;  
A23N 1/02; A47J 43/04; A47J 43/25; A47J  
43/27; A47J 43/042; A47J 43/044; A47J  
43/046; A47J 43/075; A47J 43/0722; A47J  
43/0727; A47J 43/0777; B01F 3/00; B01F  
3/0807; B01F 3/0853; B01F 13/0059; B01F  
13/0064; B02C 1/08; B02C 2/04; B02C 4/42;  
B02C 4/142; B02C 4/143; B02C 4/423;  
B02C 13/1835; B28C 5/10; B28C 5/12;  
B28C 5/14; B28C 5/16

USPC ..... D7/326, 372, 376–386, 412–413, 602,  
D7/629, 665–666, 669, 679, 693–694;  
99/509–511; 241/92, 98,  
241/101.01–101.2, 166–169.1, 199.12,  
241/274–278.2, 285.1–285.3, 291, 292.1;

(57)

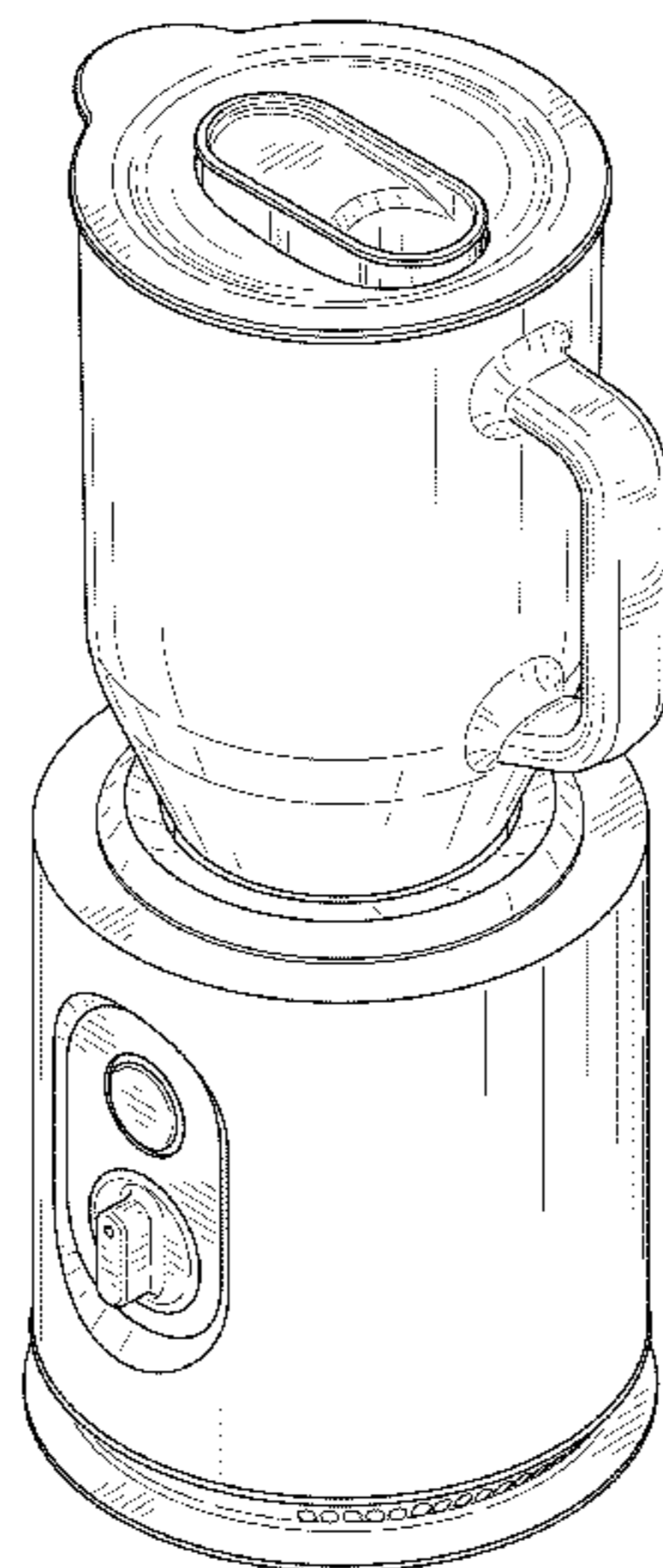
**CLAIM**

The ornamental design for a blender, substantially as shown  
and described.

**DESCRIPTION**

FIG. 1 is a left side view of a blender of the design.  
FIG. 2 is an opposite, right side view of a blender of the  
design.  
FIG. 3 is a rear view of a blender of the design.  
FIG. 4 is a front view of a blender of the design.  
FIG. 5 is a top view of a blender of the design.  
FIG. 6 is a bottom view of a blender of the design; and,  
FIG. 7 is a top, rear and left side perspective view of a blender  
of the design.

**1 Claim, 4 Drawing Sheets**



# US D728,302 S

Page 2

---

(56)

## References Cited

D679,935 S \* 4/2013 Tse et al. .... D7/326  
2004/0042337 A1\* 3/2004 Yiu et al. .... 366/199

## U.S. PATENT DOCUMENTS

D630,467 S \* 1/2011 Harrod ..... D7/376 \* cited by examiner

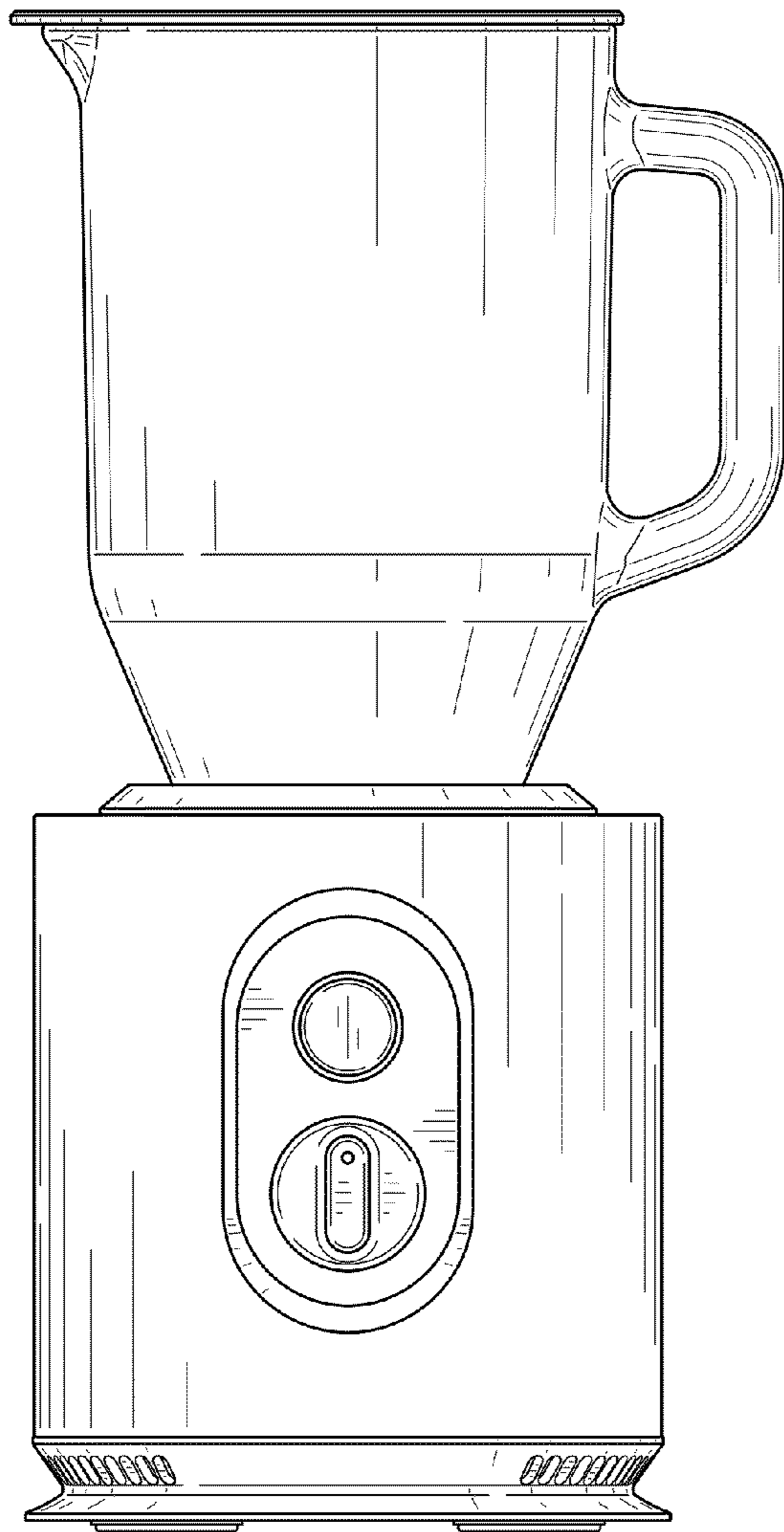


FIG. 1

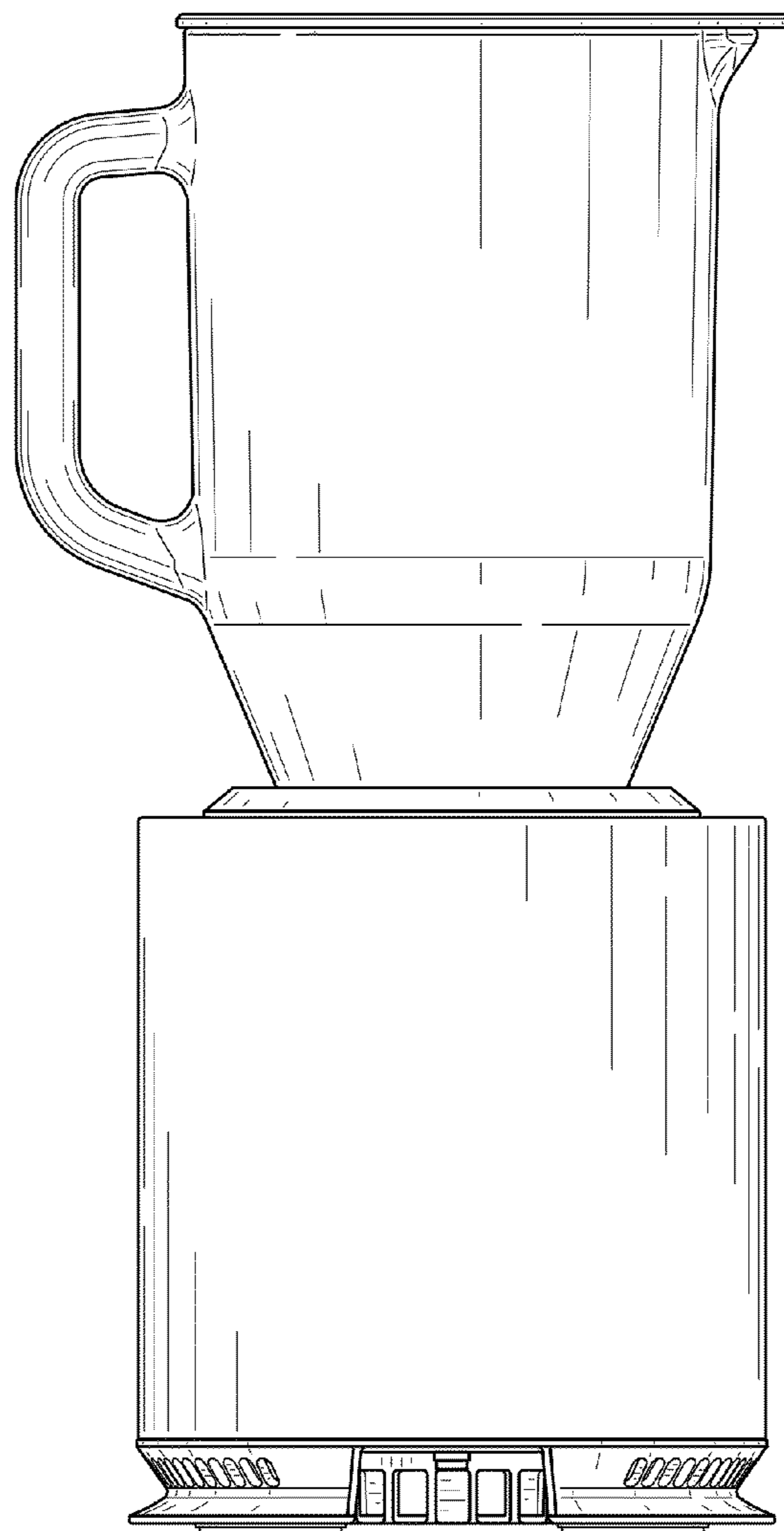


FIG. 2

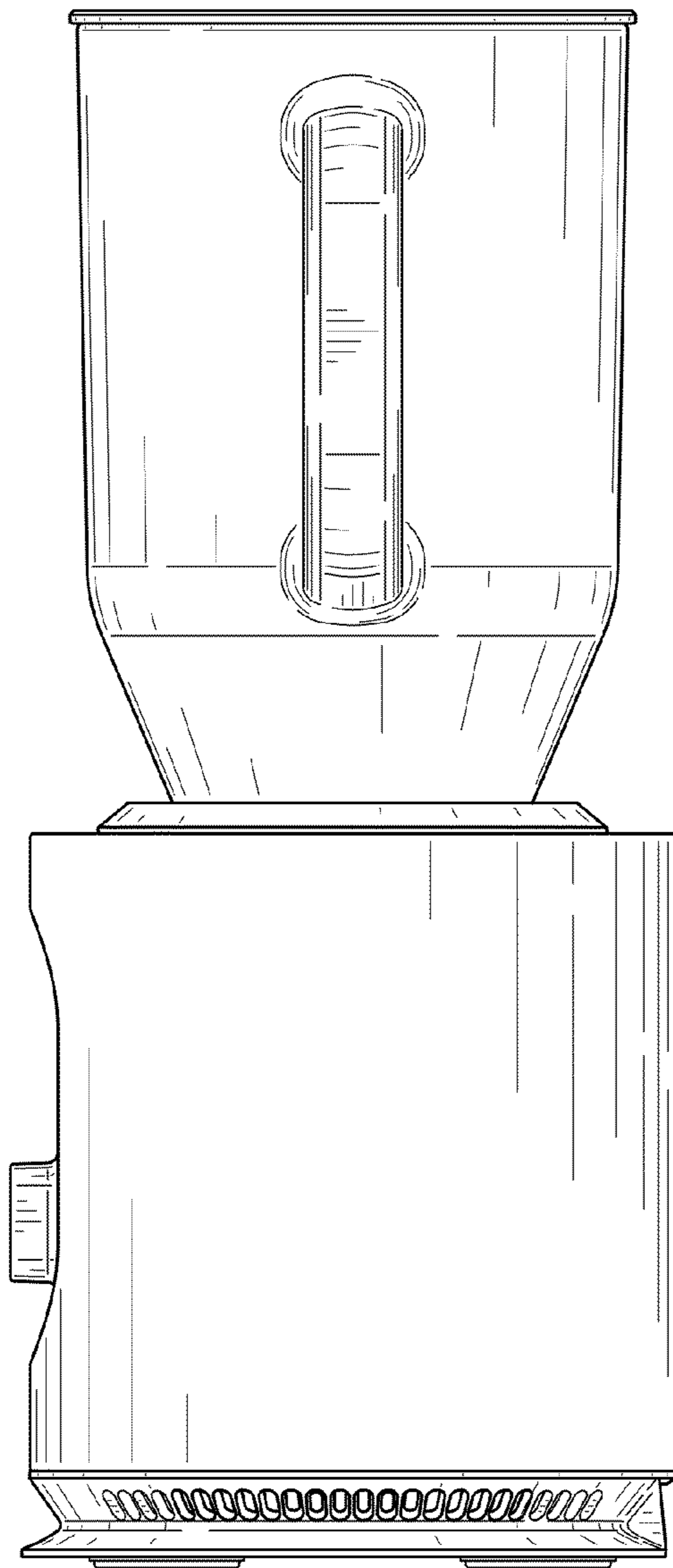


FIG. 3

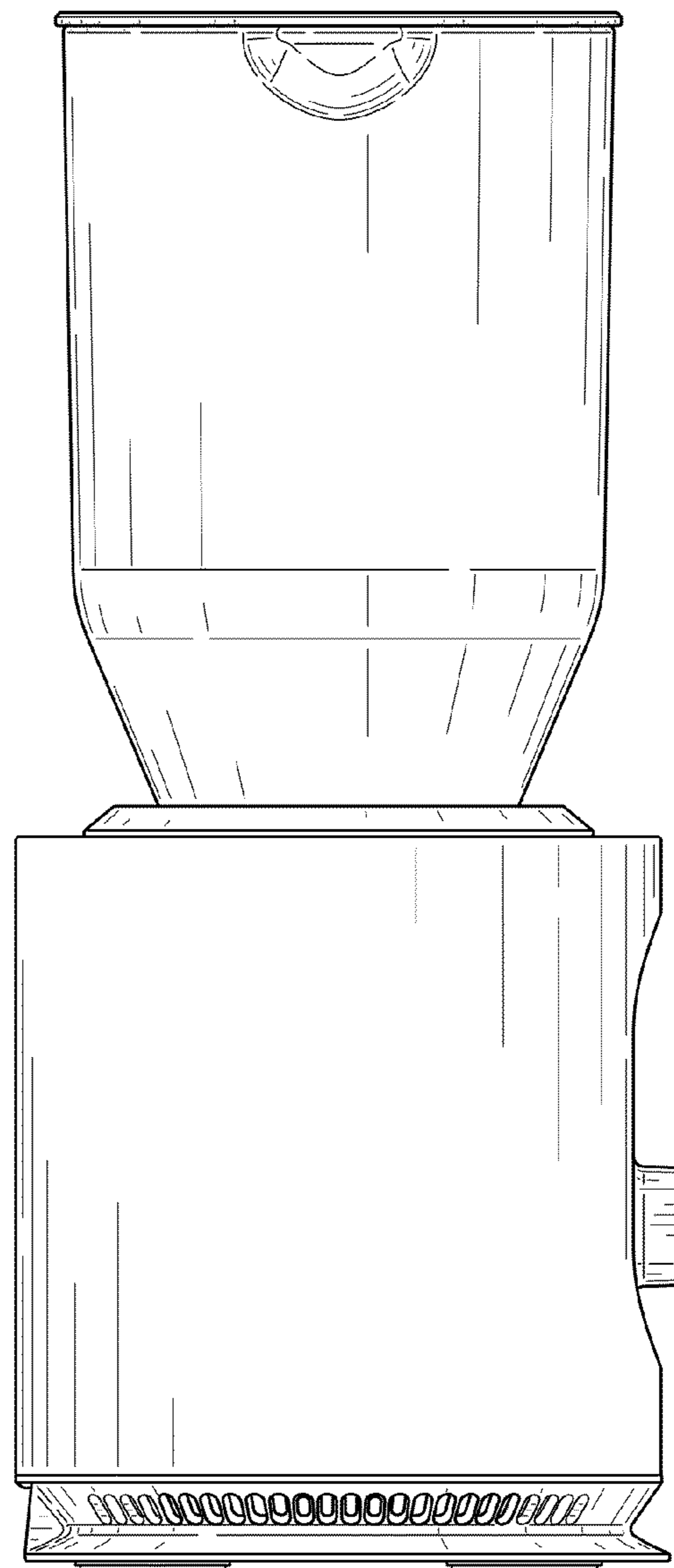


FIG. 4



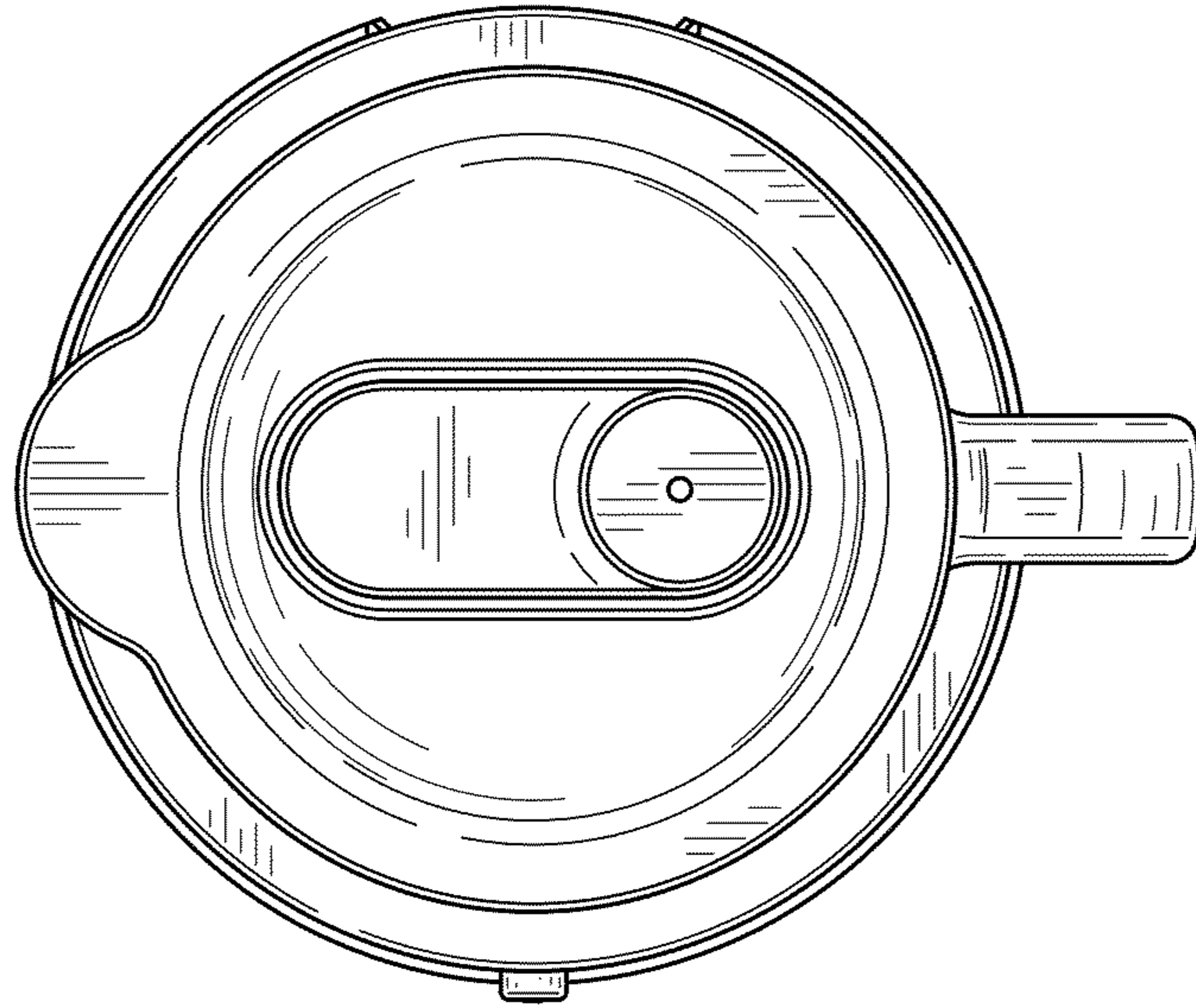


FIG. 5

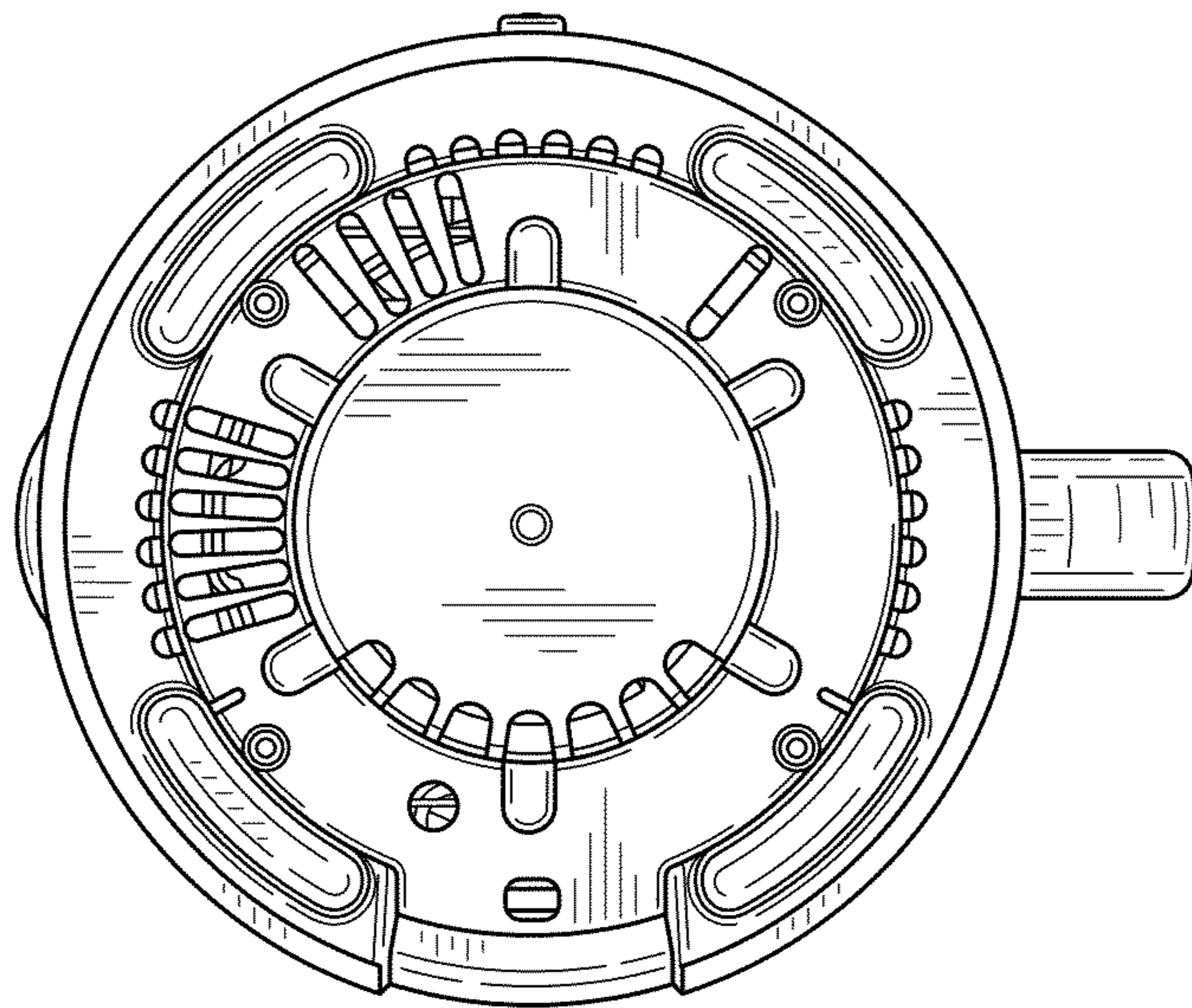


FIG. 6

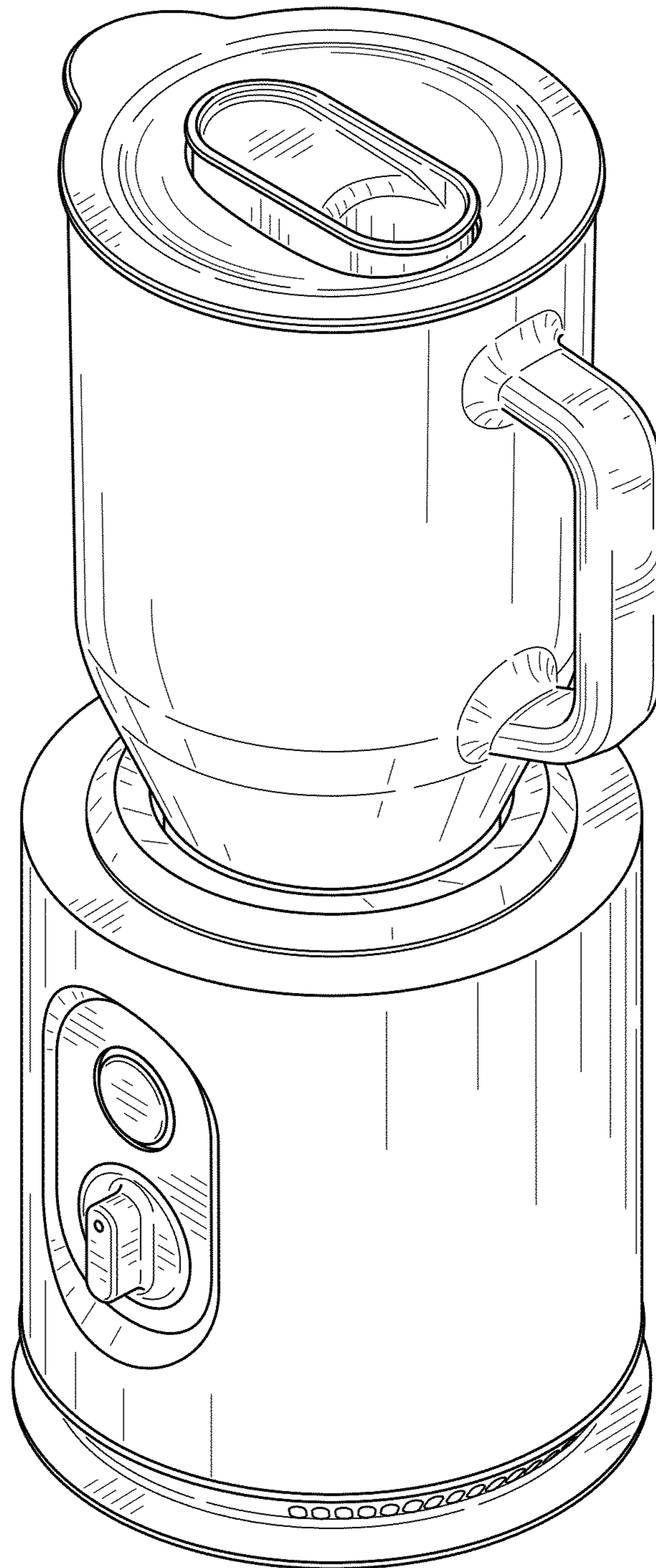


FIG. 7