



US00D728300S

(12) **United States Design Patent**
Börjesson

(10) **Patent No.:** **US D728,300 S**
(45) **Date of Patent:** **** May 5, 2015**

(54) **OVEN**

(56)

References Cited

(71) Applicant: **Electrolux Home Products Corporation N.V., Brussels (BE)**

(72) Inventor: **Per Börjesson, Porcia (IT)**

(73) Assignee: **Electrolux Home Products Corporation N.V., Brussels (BE)**

(**) Term: **14 Years**

(21) Appl. No.: **29/494,353**

(22) Filed: **Jun. 19, 2014**

Related U.S. Application Data

(62) Division of application No. 29/434,334, filed on Oct. 11, 2012, now Pat. No. Des. 710,646.

(30) **Foreign Application Priority Data**

Apr. 11, 2012 (EM) 002023945

(51) **LOC (10) Cl.** **07-02**

(52) **U.S. Cl.**
USPC **D7/349**

(58) **Field of Classification Search**
CPC A21B 1/00; F24C 5/00; F24C 7/00;
F24C 7/04; F24C 15/00; F24C 15/006;
F24C 15/02; F24C 15/04; F24C 15/06;
F24C 15/30; F24C 14/00

USPC D7/323, 331, 339, 340, 347, 348, 349,
D7/350.1, 350.3, 350.4, 351, 402, 405,
D7/406; D32/3; 99/324; 126/1 R, 19 R,
126/21 A, 21 R, 198, 200, 273 A, 273 R

See application file for complete search history.

U.S. PATENT DOCUMENTS

3,855,994 A	12/1974	Evans et al.	
5,881,710 A	3/1999	Davis et al.	
D512,873 S *	12/2005	Grutzke et al.	D7/405
D530,561 S	10/2006	Kim	
D530,979 S	10/2006	Huxhold et al.	
D534,035 S	12/2006	Huxhold et al.	
D538,105 S	3/2007	Huxhold et al.	
D580,698 S	11/2008	Kim et al.	
D603,650 S *	11/2009	Yalcin et al.	D7/349
D604,988 S *	12/2009	Yalcin et al.	D7/349
D611,294 S *	3/2010	Busalt et al.	D7/349
D611,755 S *	3/2010	Yalcin et al.	D7/349
D611,756 S	3/2010	Yalcin et al.	
D612,207 S	3/2010	Baker et al.	
7,721,728 B2	5/2010	Ho Kim et al.	
D618,488 S	6/2010	Knochner	
7,819,113 B2	10/2010	Chin	
D626,782 S	11/2010	Busalt et al.	
D646,113 S	10/2011	Park et al.	
D654,299 S	2/2012	Benold	
D654,313 S	2/2012	Benold	
D654,314 S	2/2012	Benold	
D654,315 S	2/2012	Benold	
D664,388 S	7/2012	Park et al.	
D668,106 S	10/2012	Börjesson	
D668,107 S	10/2012	Börjesson	

(Continued)

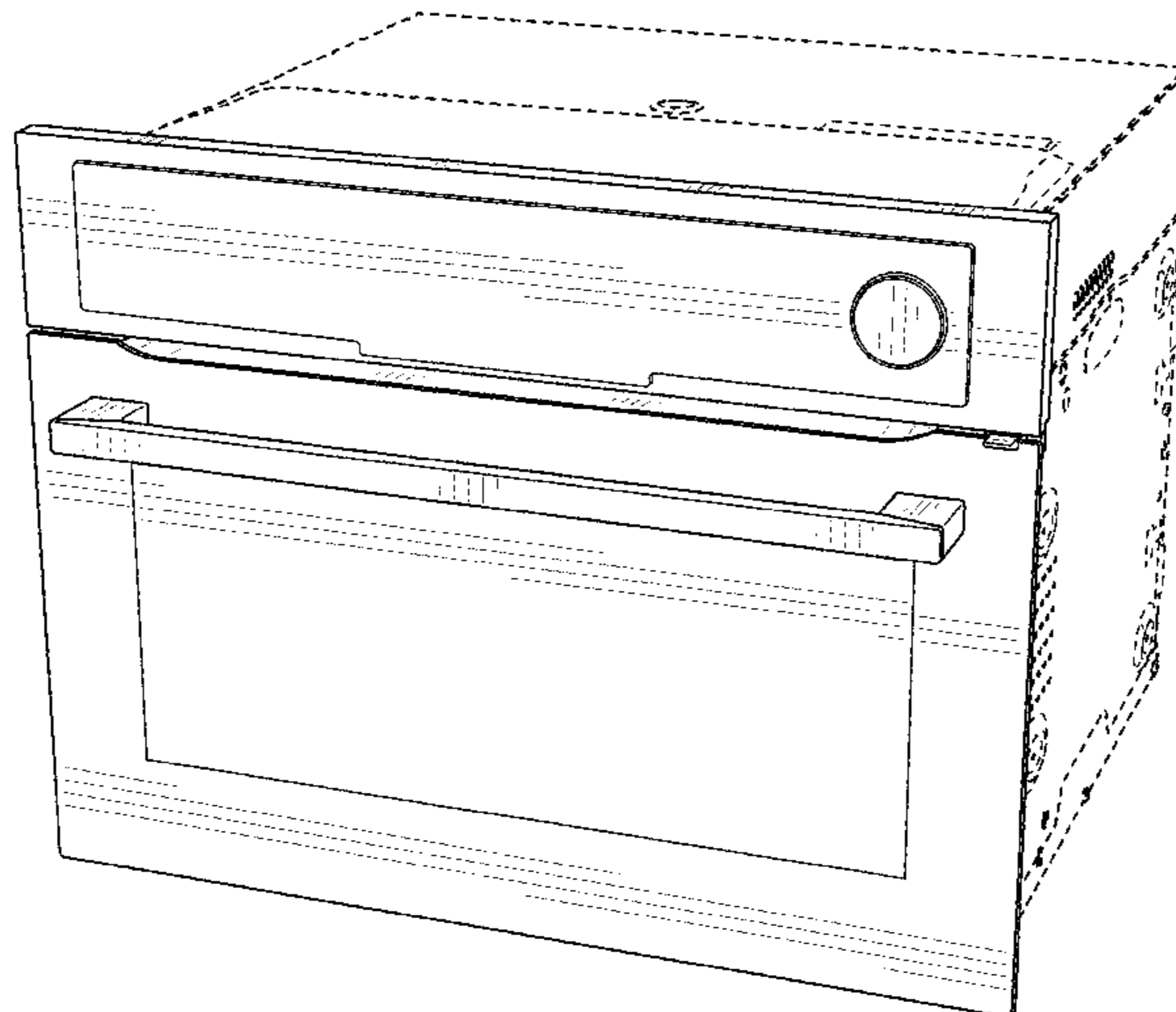
Primary Examiner — Martie K Holtje
(74) *Attorney, Agent, or Firm* — Banner & Witcoff, Ltd.

(57) **CLAIM**
The ornamental design for an oven, as shown and described.

DESCRIPTION

FIG. 1 is a perspective view of an oven showing my new design; and,
FIG. 2 is a front view thereof.
The structural features depicted by broken lines in the drawings have been shown for the purpose of illustrating portions of the oven that form no part of the claimed design.

1 Claim, 2 Drawing Sheets



(56)

References Cited

U.S. PATENT DOCUMENTS

D668,108 S 10/2012 Börjesson
D668,109 S 10/2012 Börjesson
D668,110 S 10/2012 Börjesson
D668,111 S 10/2012 Börjesson

D668,112 S 10/2012 Börjesson
D677,024 S 2/2013 Börjesson
D709,726 S * 7/2014 Borjesson D7/349
D710,646 S * 8/2014 Borjesson D7/349
2008/0184985 A1 8/2008 Hasslberger et al.
2009/0194092 A1 8/2009 Shon et al.
2010/0199966 A1 8/2010 Iwamoto et al.

* cited by examiner

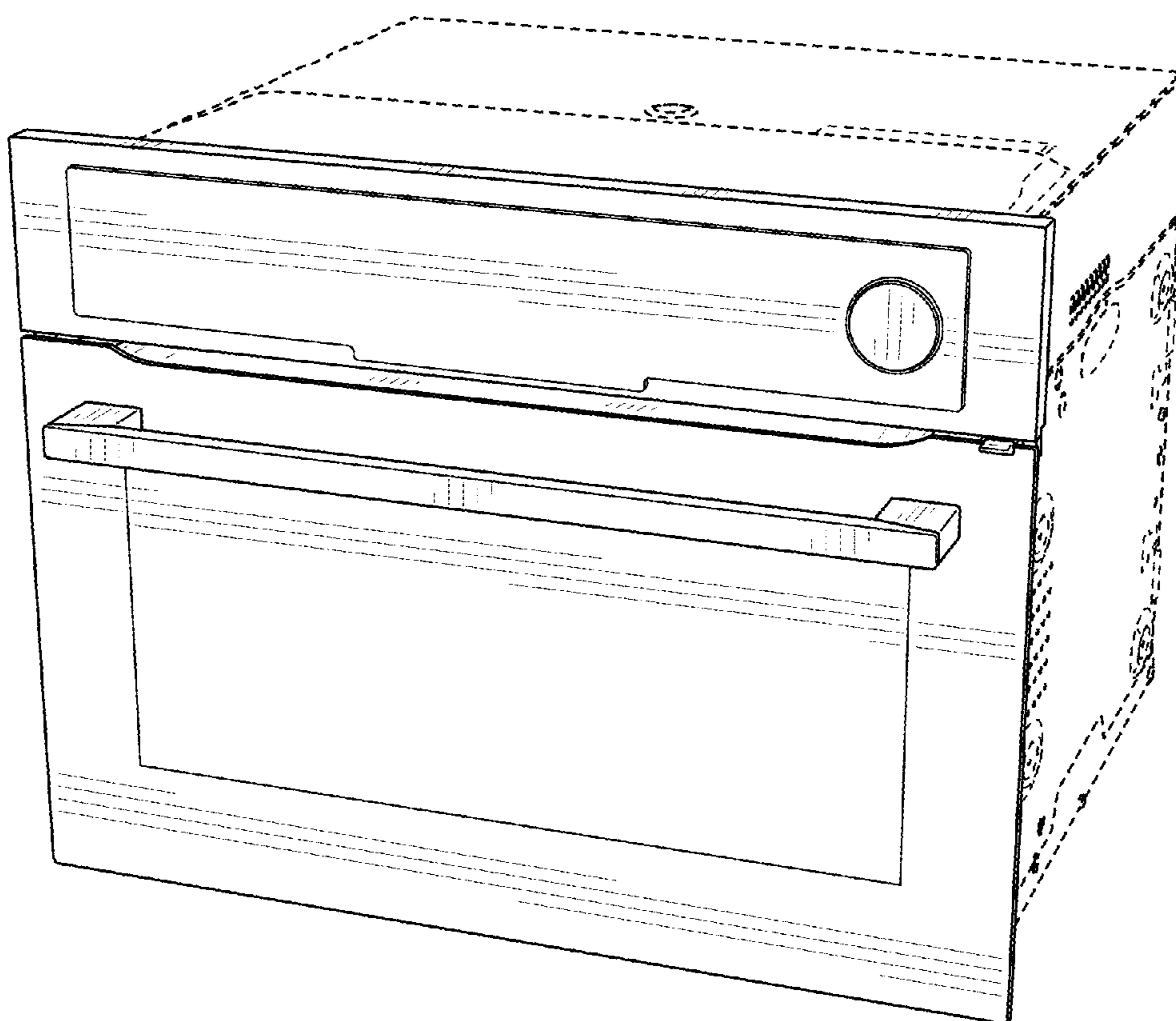


FIG. 1

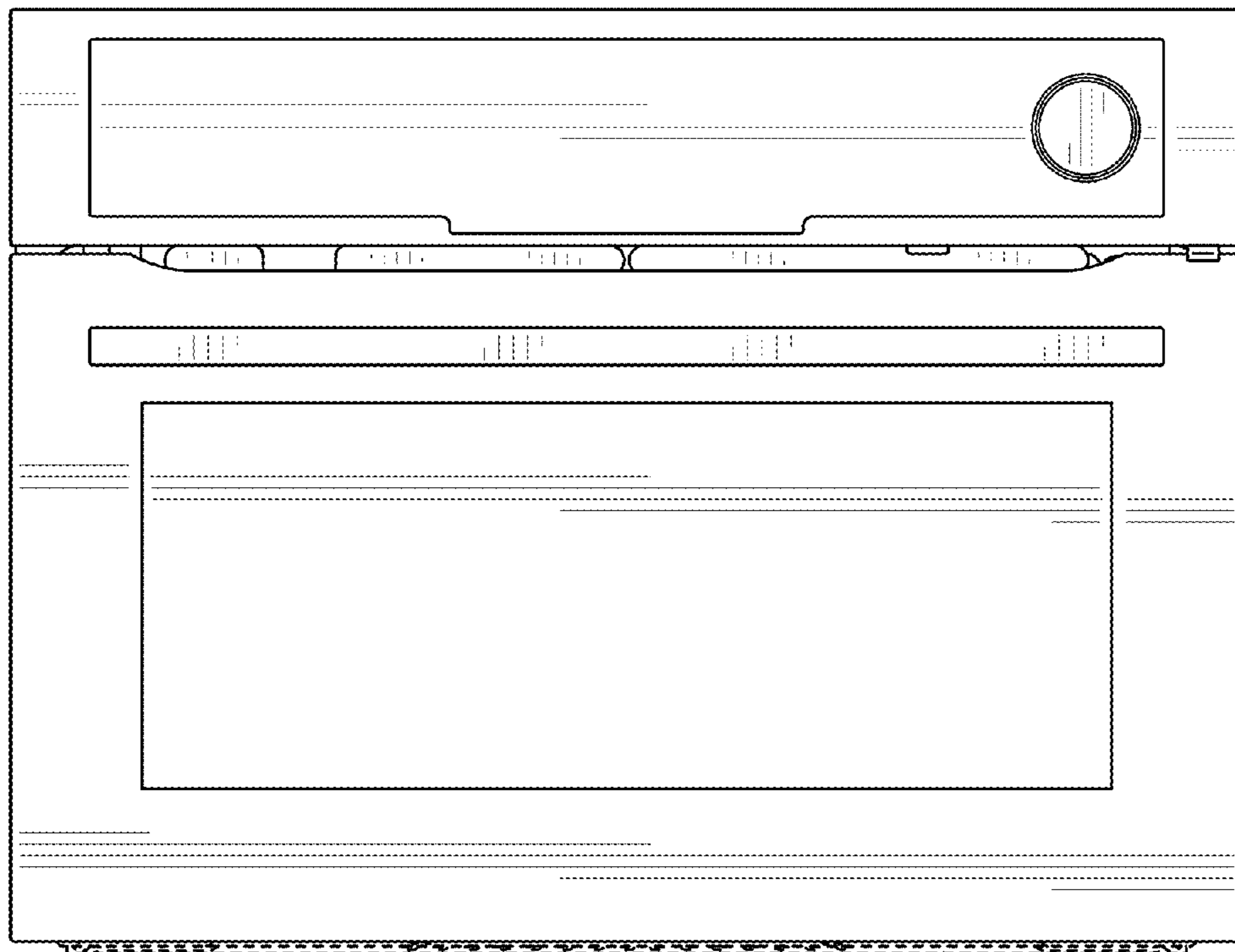


FIG. 2