

US00D728295S

(12) **United States Design Patent**
De'Longhi et al.

(10) **Patent No.:** **US D728,295 S**

(45) **Date of Patent:** **** May 5, 2015**

- (54) **ESPRESSO MACHINE**
- (71) Applicant: **De' Longhi Appliances S.R.L. Con Unico Socio**, Treviso (IT)
- (72) Inventors: **Giuseppe De'Longhi**, Treviso (IT); **Marco Vaona**, Mestre (IT)
- (73) Assignee: **De'Longhi Appliances S.R.L. Con Unico Socio**, Treviso (IT)

(**) Term: **14 Years**

(21) Appl. No.: **29/461,233**

(22) Filed: **Jul. 19, 2013**

(30) **Foreign Application Priority Data**

Jan. 21, 2013 (EM) 2169755-0005

(51) **LOC (10) Cl.** **07-01**

(52) **U.S. Cl.**
USPC **D7/309; D7/311**

(58) **Field of Classification Search**
CPC B67D 3/00
USPC D7/309-311, 306-308, 300, 397, 305;
99/293, 323.1, 279, 289 R, 291;
D6/544; 222/105, 185.1
See application file for complete search history.

(56) **References Cited**

U.S. PATENT DOCUMENTS

- D486,345 S * 2/2004 Schwamkrug D7/309
- D523,279 S * 6/2006 Zemp D7/309

- D584,096 S * 1/2009 Lutz D7/307
- D586,604 S * 2/2009 Buttler D7/309
- D587,511 S * 3/2009 Buttler D7/309
- D595,991 S * 7/2009 Zimmerman D7/307
- D610,389 S * 2/2010 Borin et al. D7/309
- D642,415 S * 8/2011 Novelli D7/309
- D645,289 S * 9/2011 Lenzi D7/309
- D645,695 S * 9/2011 Zoppellari D7/309
- D646,109 S * 10/2011 Zoppellari D7/309
- D647,356 S * 10/2011 De' Longhi D7/309
- D663,566 S * 7/2012 Feder D7/309
- D672,999 S * 12/2012 De' Longhi D7/309
- D675,054 S * 1/2013 Agostini et al. D7/309
- D701,071 S * 3/2014 Buttler D7/306
- 2011/0126718 A1 * 6/2011 Meuer 99/323.1
- 2011/0222561 A1 * 9/2011 Alley et al. 370/503

* cited by examiner

Primary Examiner — Marianne Pandozzi

(74) *Attorney, Agent, or Firm* — Maier & Maier, PLLC

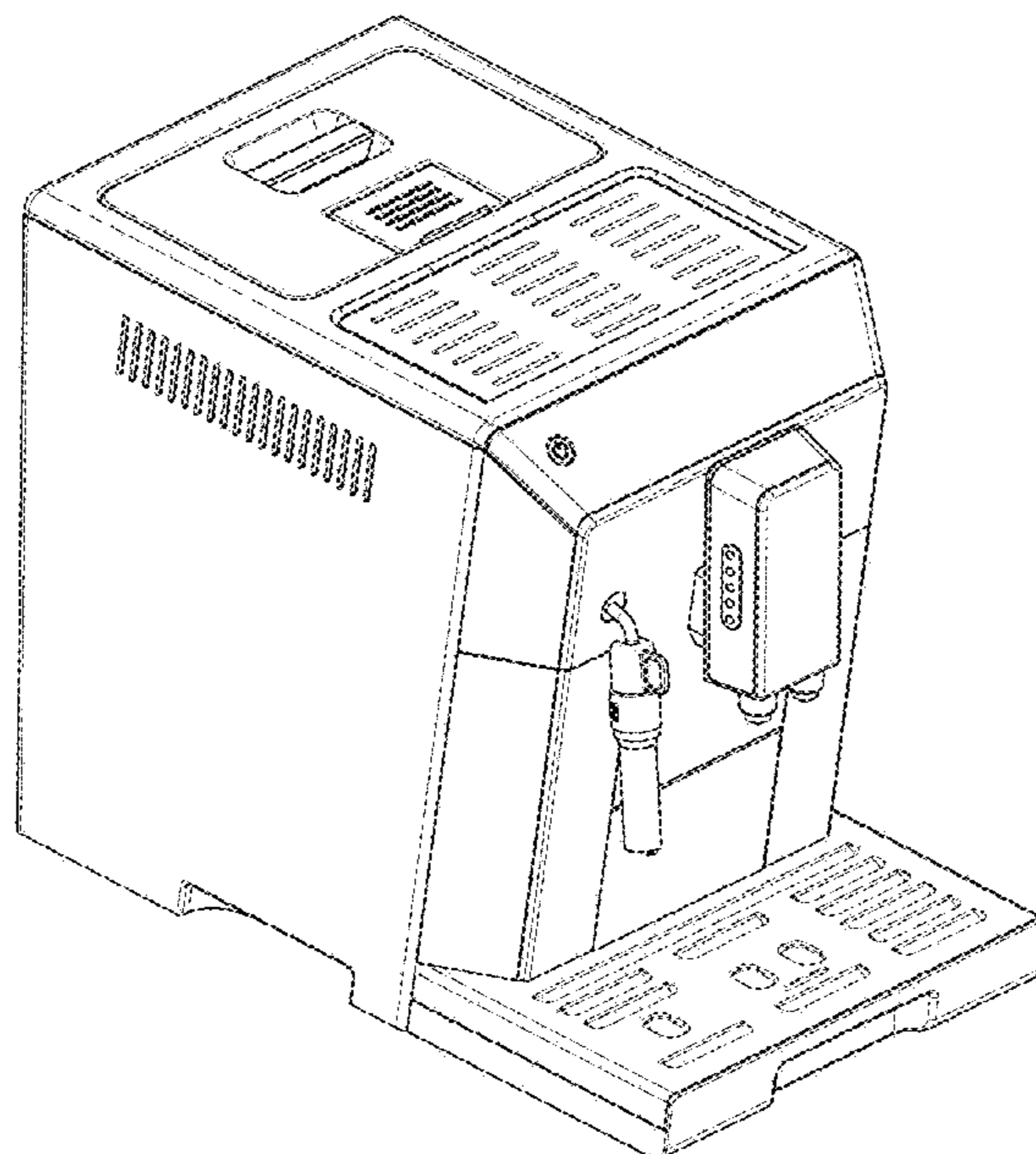
(57) **CLAIM**

The ornamental design for an espresso machine, as shown and described.

DESCRIPTION

FIG. 1 is a front isometric view of an espresso machine, showing our design;
FIG. 2 is a rear isometric view thereof;
FIG. 3 is a front view thereof;
FIG. 4 is a rear view thereof;
FIG. 5 is a right side view thereof;
FIG. 6 is a left side view thereof;
FIG. 7 is a top view thereof; and,
FIG. 8 is a bottom view thereof.

1 Claim, 8 Drawing Sheets



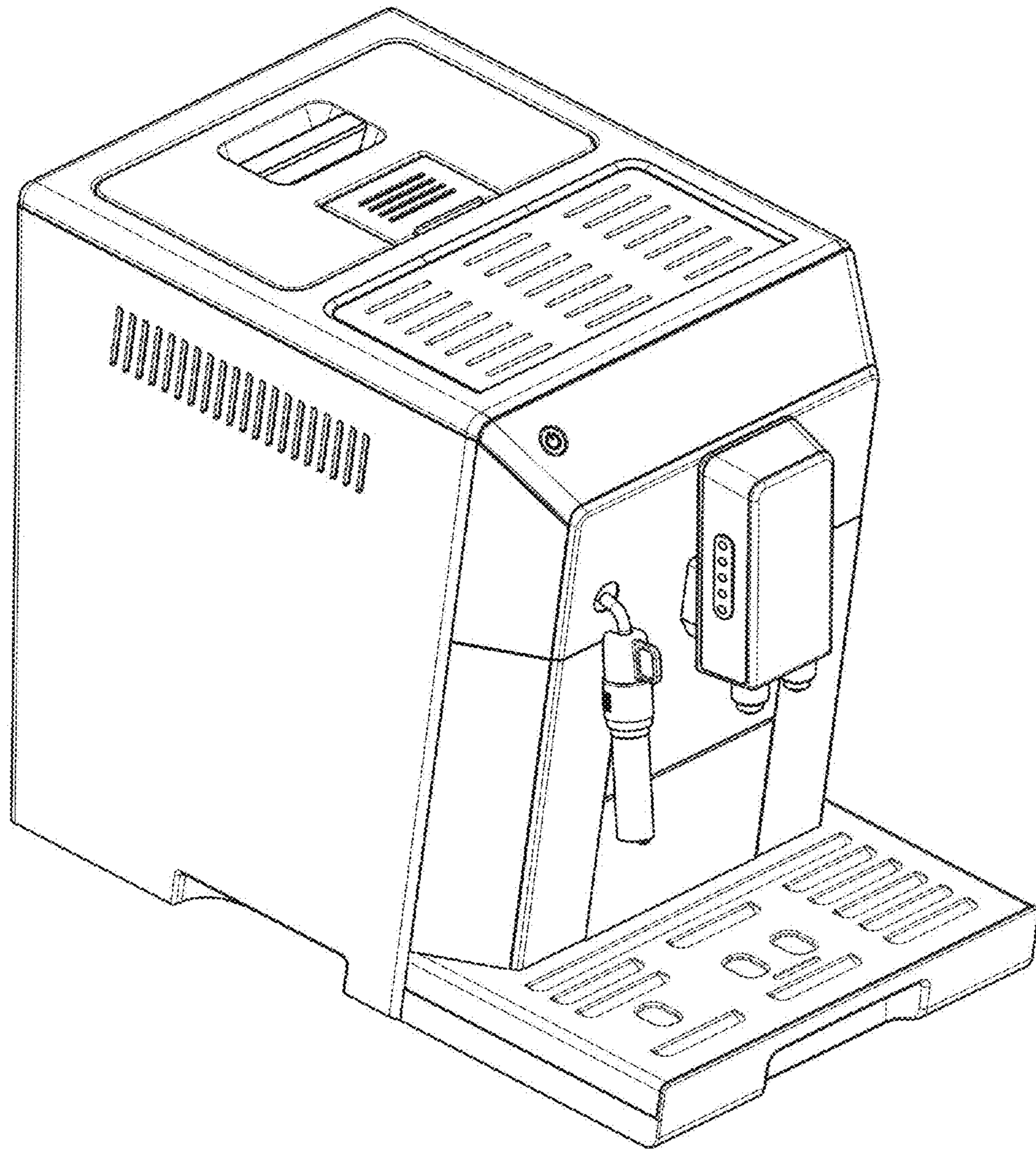


Fig. 1

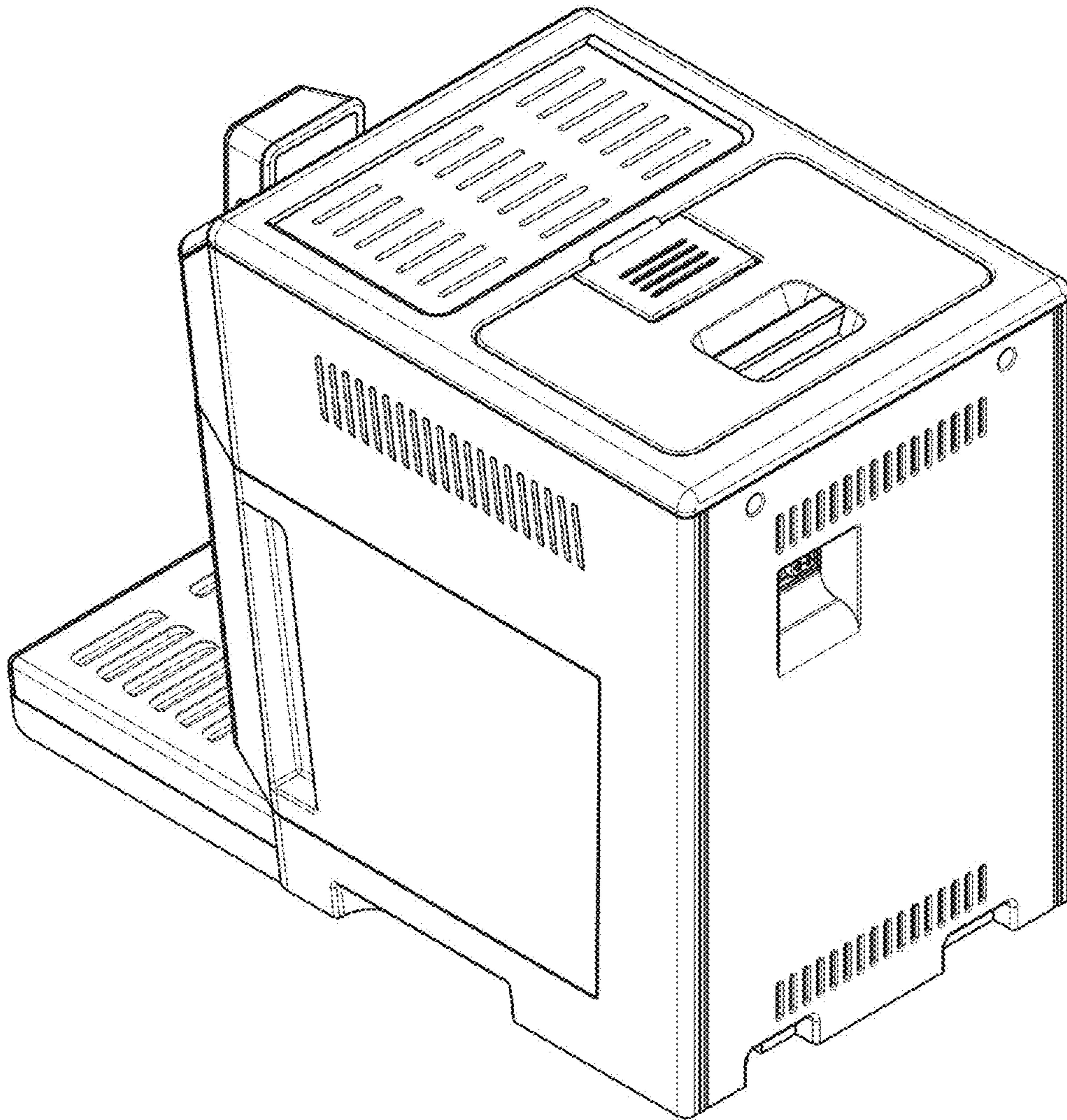


Fig. 2

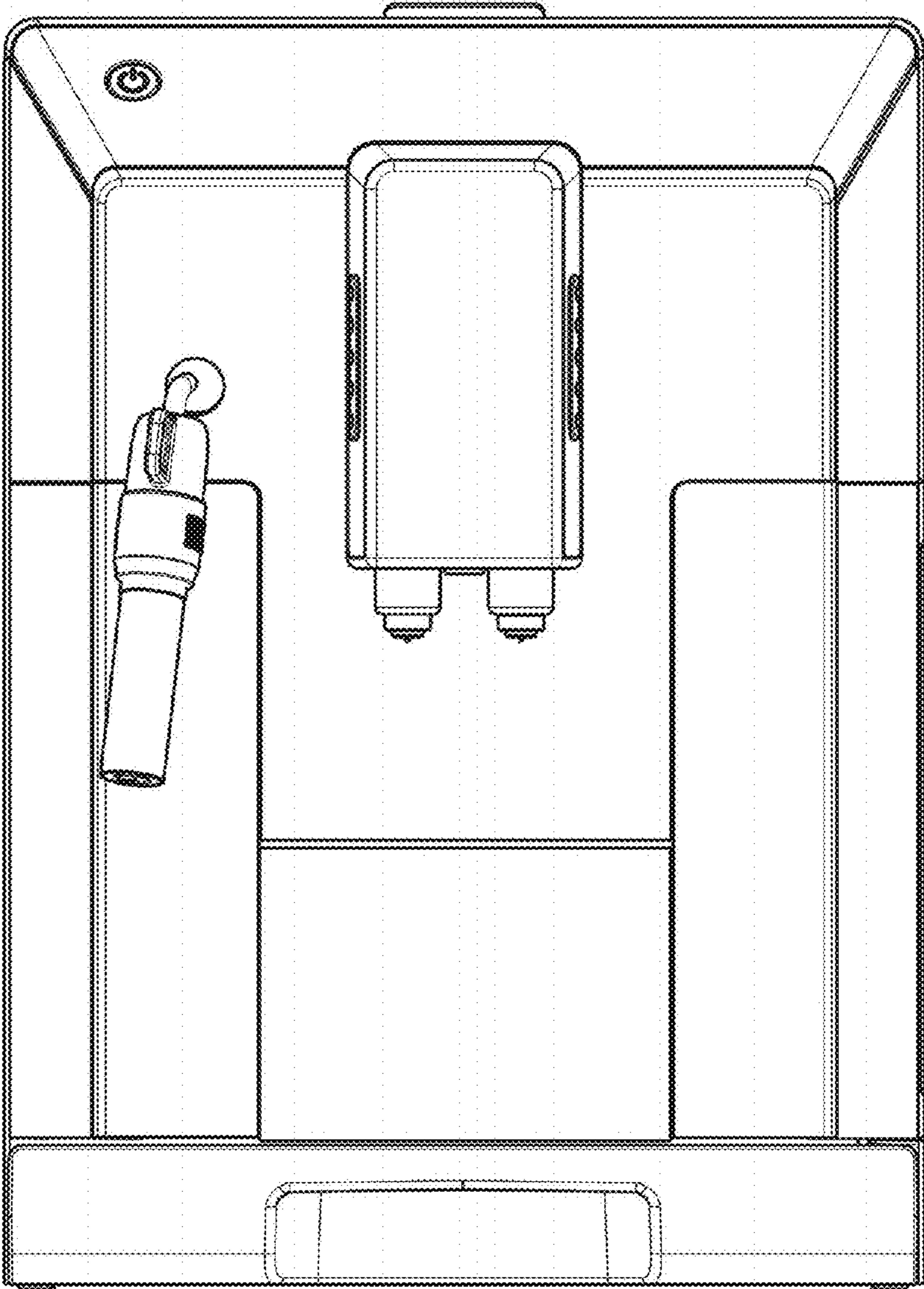


Fig. 3

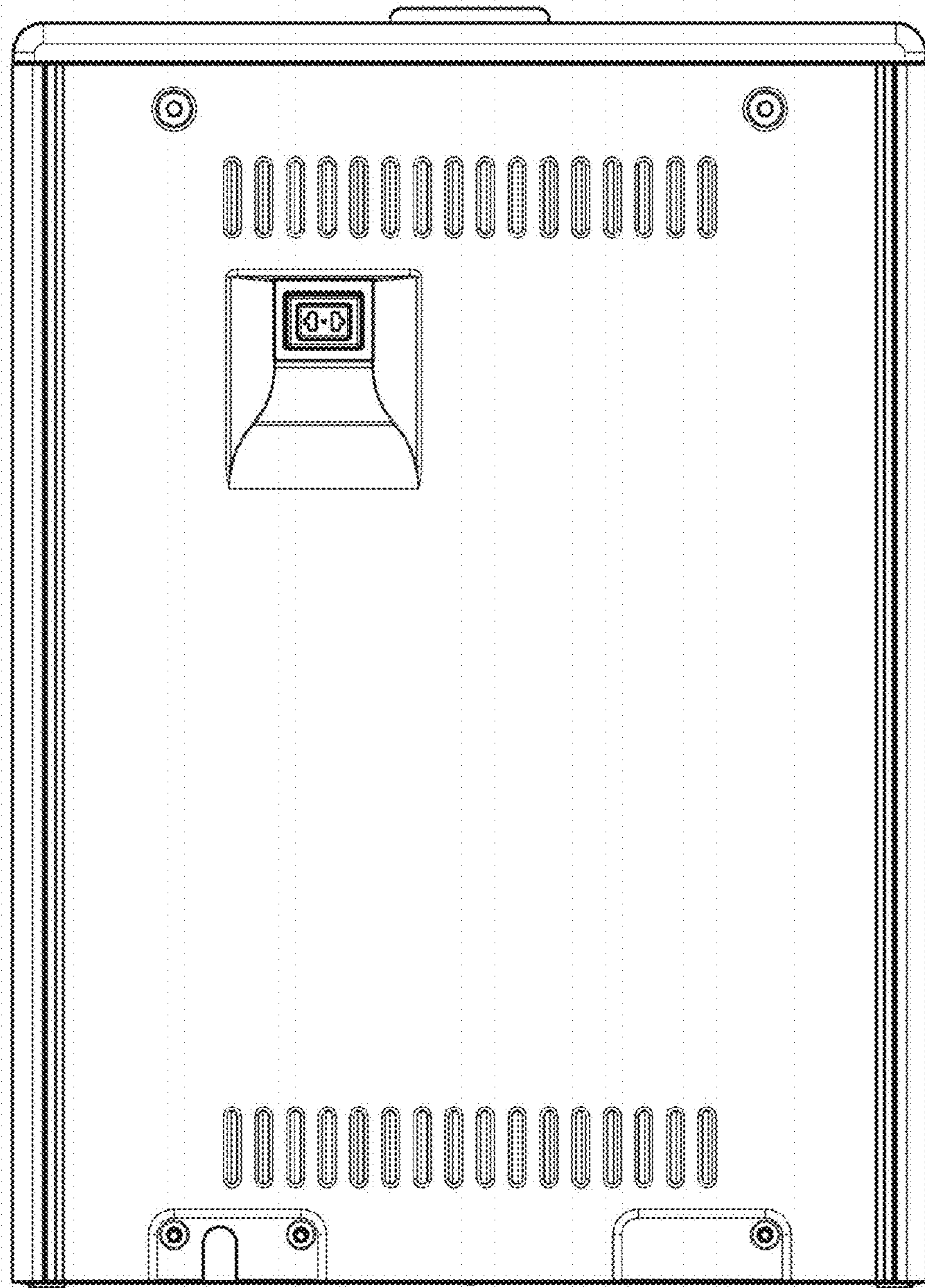


Fig. 4

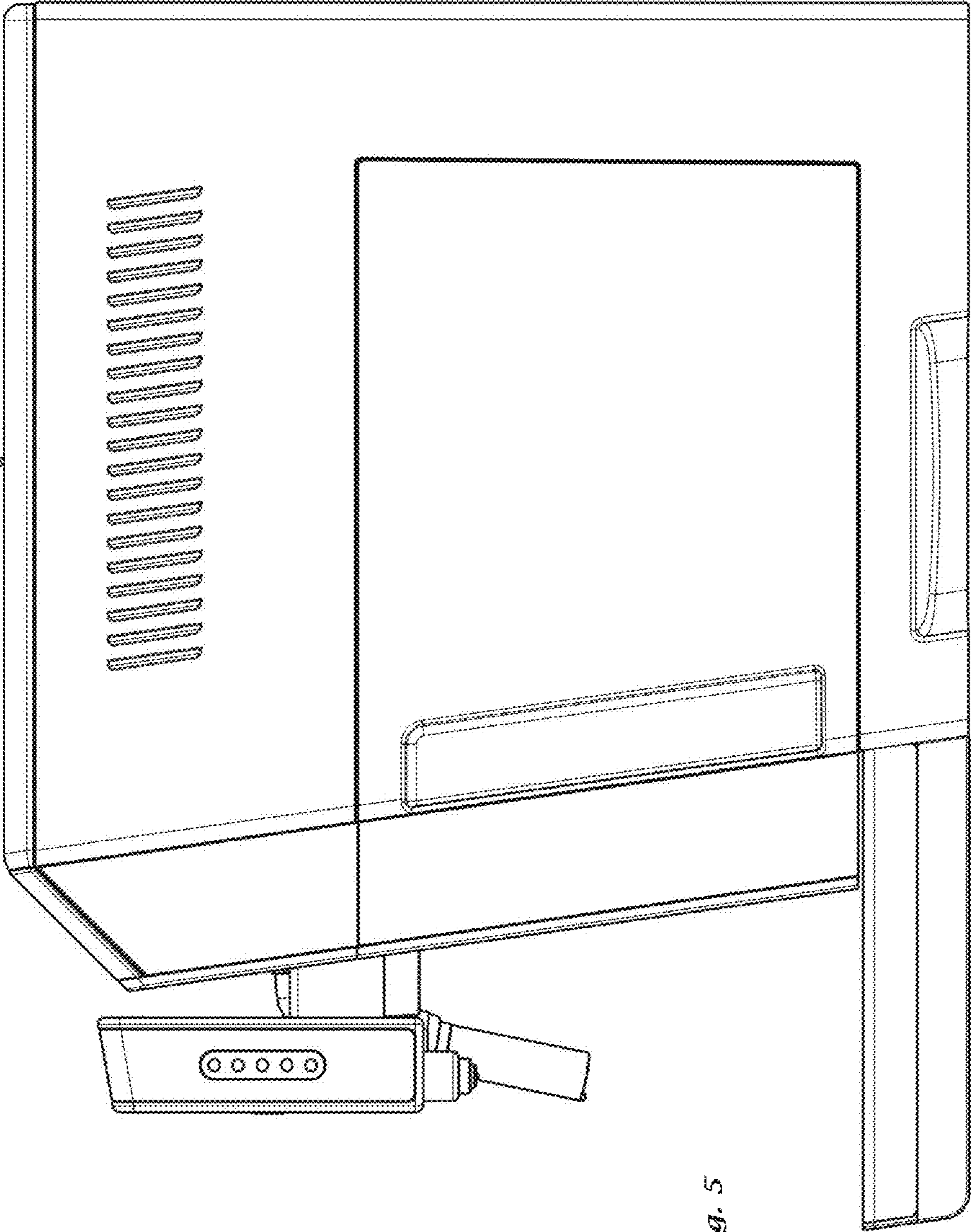


Fig. 5

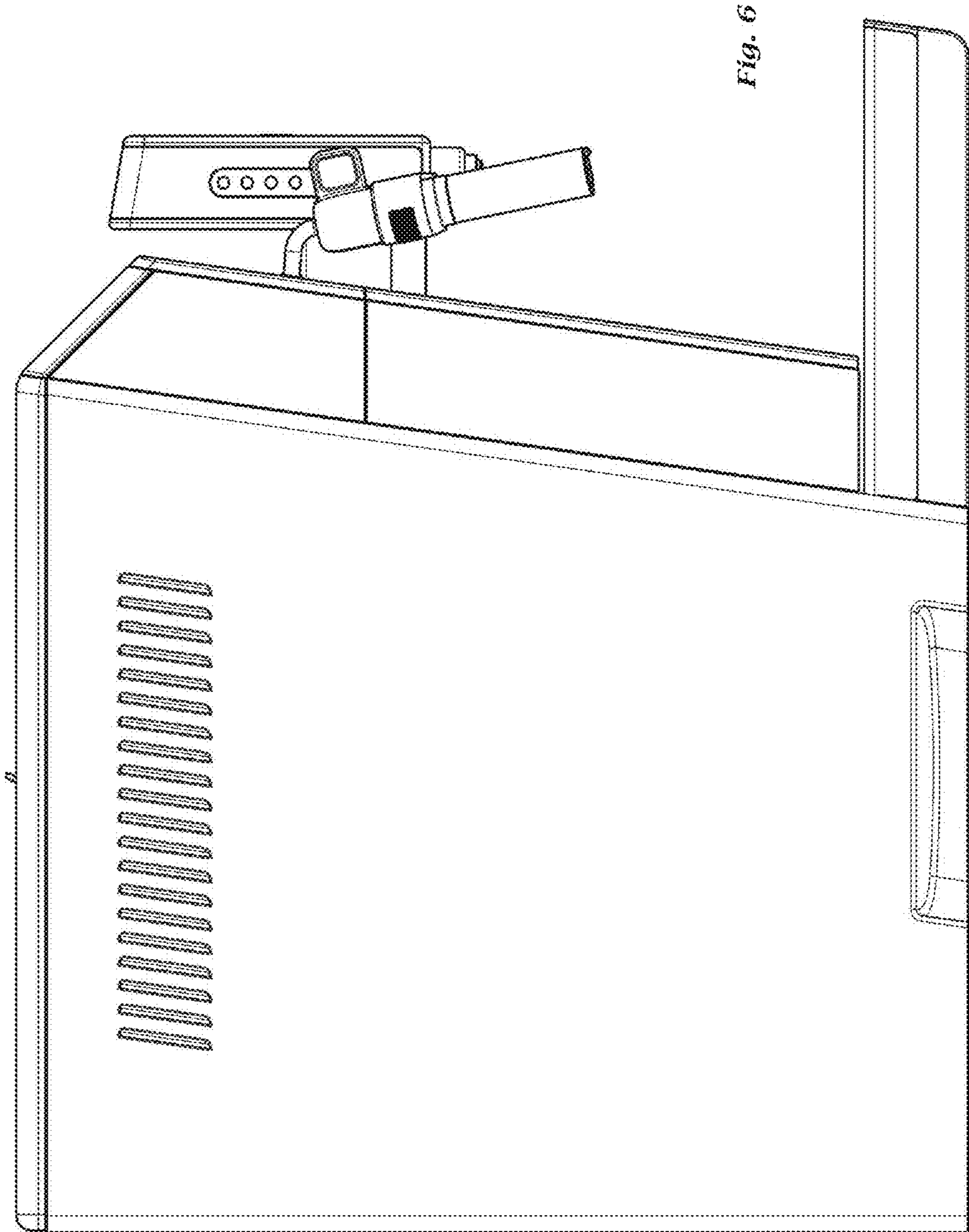


Fig. 6

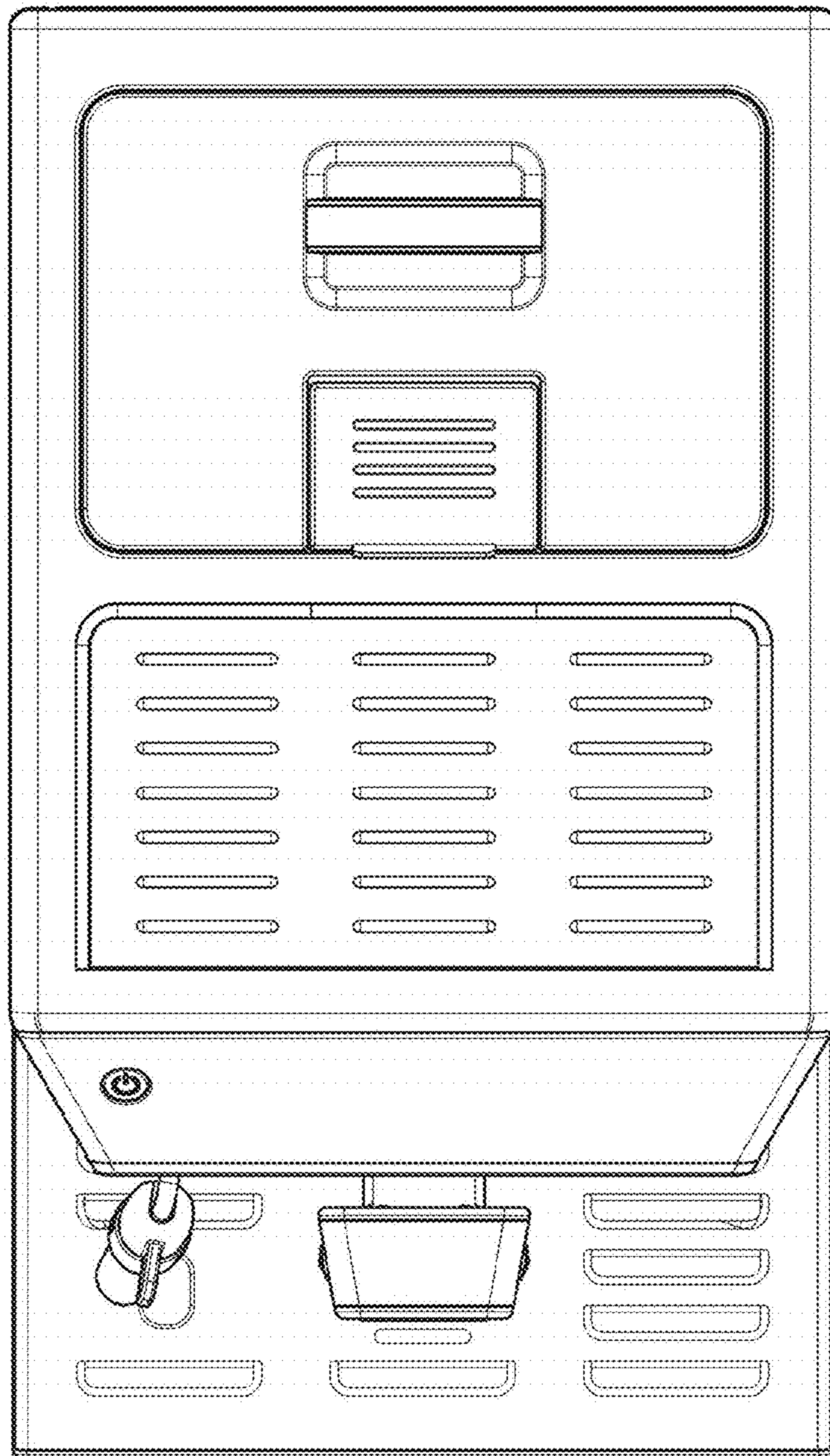


Fig. 7

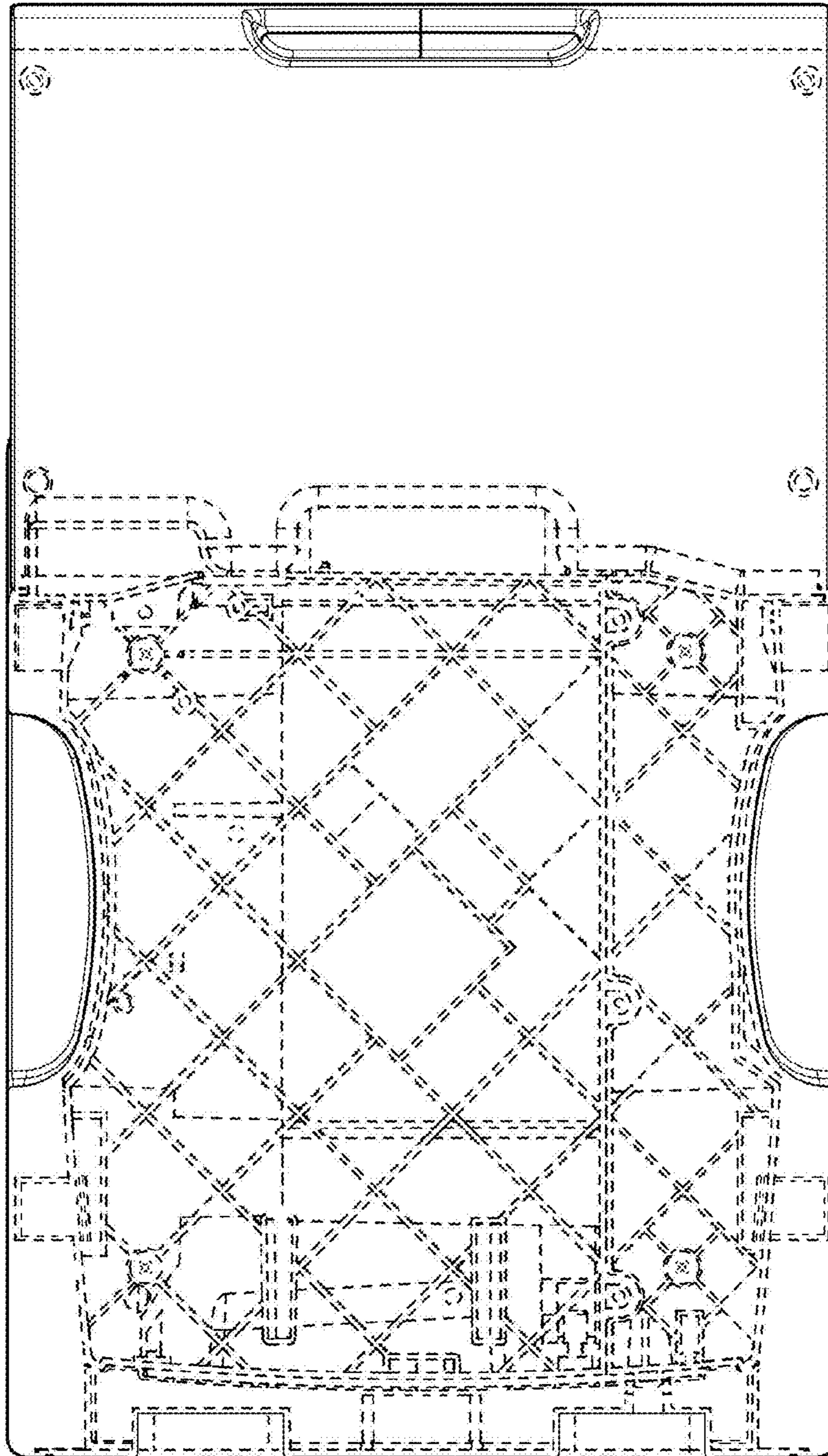


Fig. 8