



US00D728293S

(12) **United States Design Patent**  
**Schenck**

(10) **Patent No.:** **US D728,293 S**  
(45) **Date of Patent:** **\*\* May 5, 2015**

(54) **BALLBACK CHAIR BACKREST**

(71) Applicant: **Kirk Edward Schenck**, Los Angeles,  
CA (US)

(72) Inventor: **Kirk Edward Schenck**, Los Angeles,  
CA (US)

(\*\*) Term: **14 Years**

(21) Appl. No.: **29/504,461**

(22) Filed: **Oct. 6, 2014**

(51) **LOC (10) Cl.** ..... **06-01**

(52) **U.S. Cl.**  
USPC ..... **D6/716.4**

(58) **Field of Classification Search**  
CPC ..... A47C 7/16; A47C 3/04; A47C 7/46;  
A47C 4/54  
USPC ..... D6/334-336, 366, 367, 369, 379, 380,  
D6/716, 716.4; 297/284.4, 284.7, 451.5,  
297/452.3, 452.41  
See application file for complete search history.

(56) **References Cited**

**U.S. PATENT DOCUMENTS**

3,964,790 A \* 6/1976 Bergeron ..... A47C 3/04  
6,070,943 A \* 6/2000 Guery-Strahm ..... A47C 4/54

6,702,388 B1 \* 3/2004 Chiu ..... A47C 4/54  
6,832,817 B1 \* 12/2004 Chiu ..... A47C 4/54  
7,044,558 B2 \* 5/2006 Chiu ..... A47C 4/54  
7,140,677 B1 \* 11/2006 Chiu ..... A47C 4/54  
D577,229 S \* 9/2008 Haaksma ..... D6/716  
D644,849 S \* 9/2011 Sienkowski et al. .... D6/716  
D679,916 S \* 4/2013 Barney et al. .... D6/366  
8,721,005 B2 \* 5/2014 Mankin ..... A47C 7/46

\* cited by examiner

*Primary Examiner* — Mimoso De

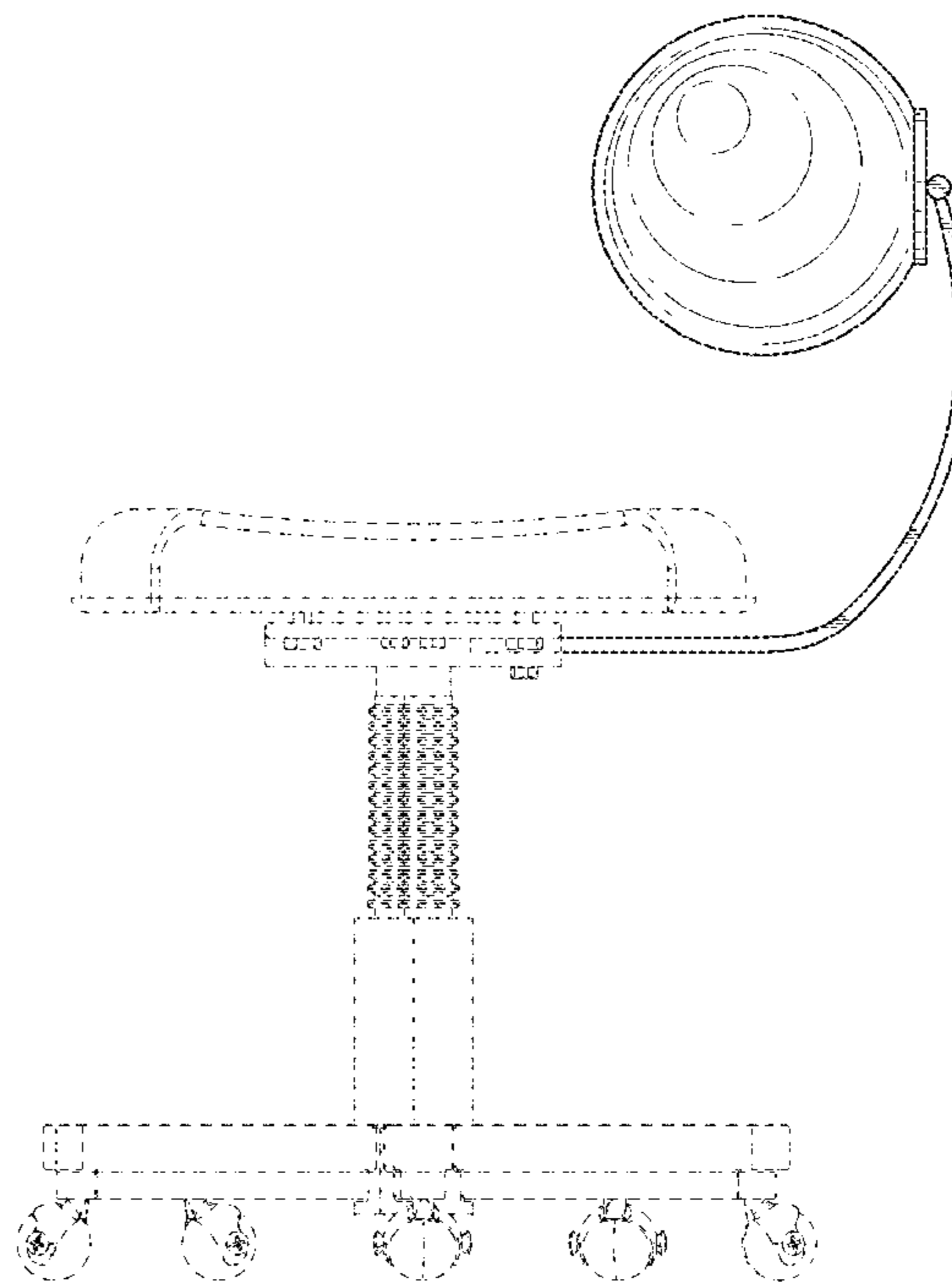
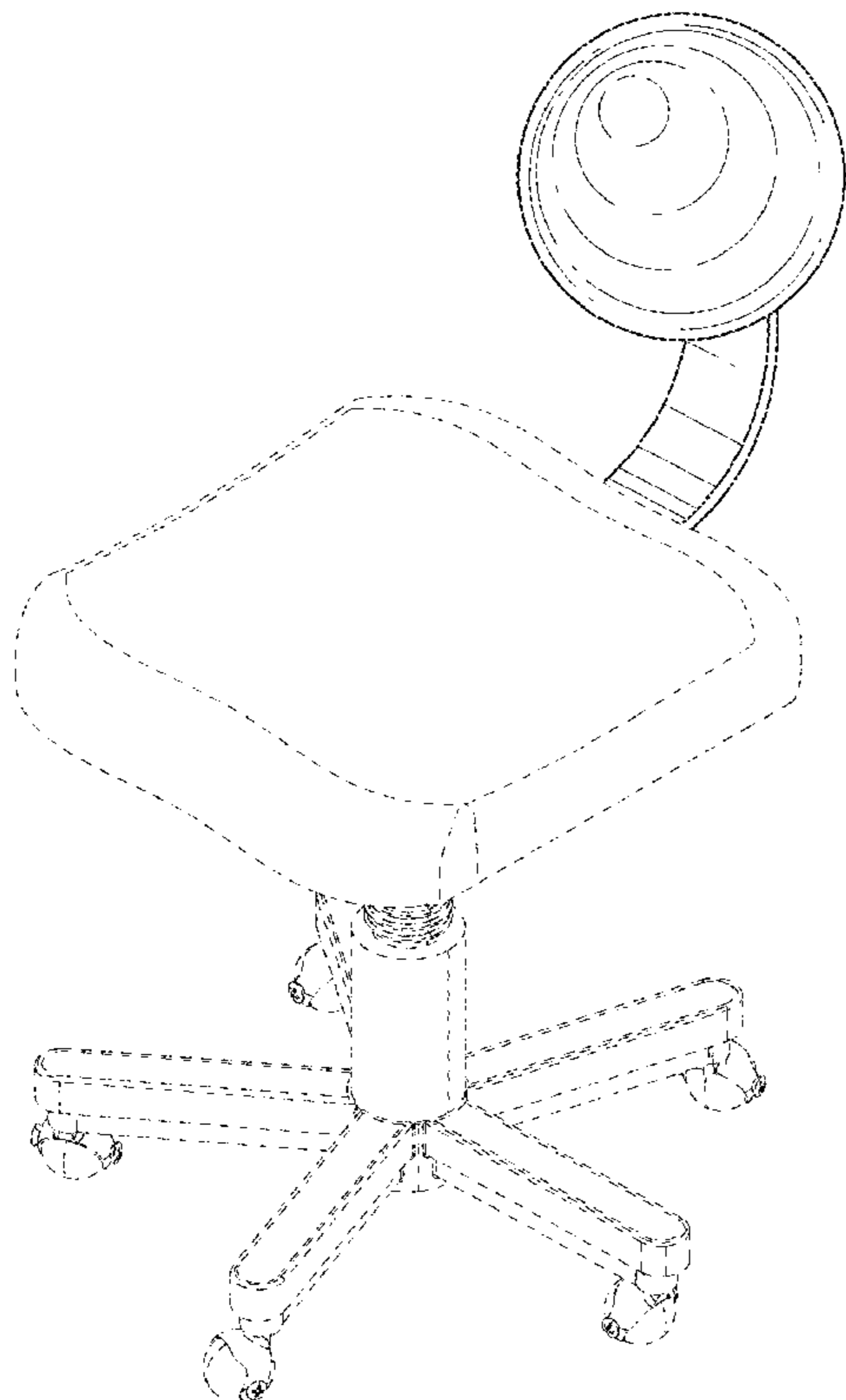
(57) **CLAIM**

The ornamental design for a ballback chair backrest, as shown and described.

**DESCRIPTION**

FIG. 1: is a perspective view of the ballback chair backrest  
FIG. 2: is a left, side view of the ballback chair backrest  
FIG. 3: is a right, side view of the ballback chair backrest  
FIG. 4: is a front view of the ballback chair backrest  
FIG. 5: is a back view of the ballback chair backrest  
FIG. 6: is a top view of the ballback chair backrest; and,  
FIG. 7: is a bottom view of the ballback chair backrest.  
Inventor's ballback chair backrest is characterized by a backrest attached to an arm connecting the backrest to a chair's main body.

**1 Claim, 7 Drawing Sheets**



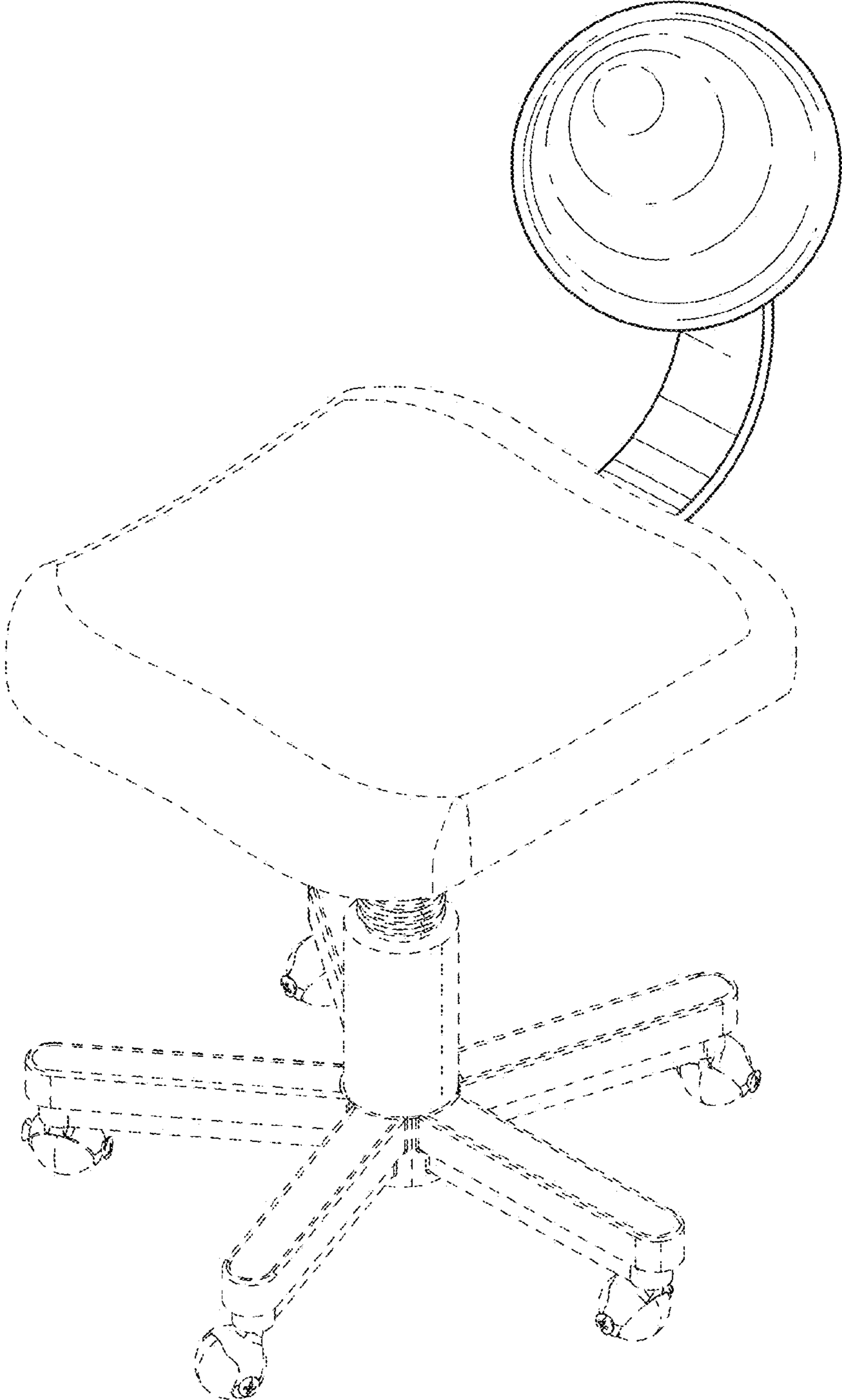


FIG. 1

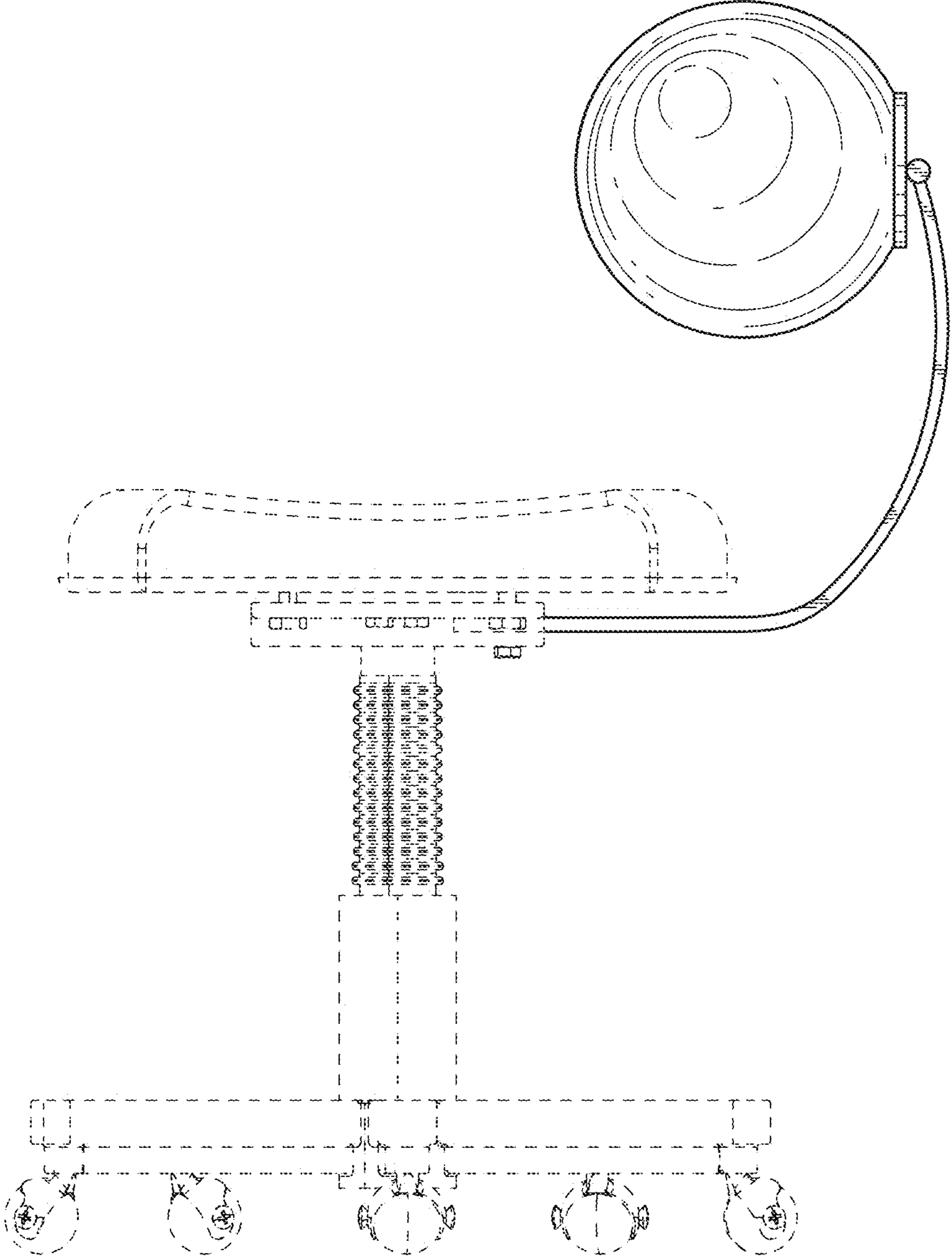


FIG. 2

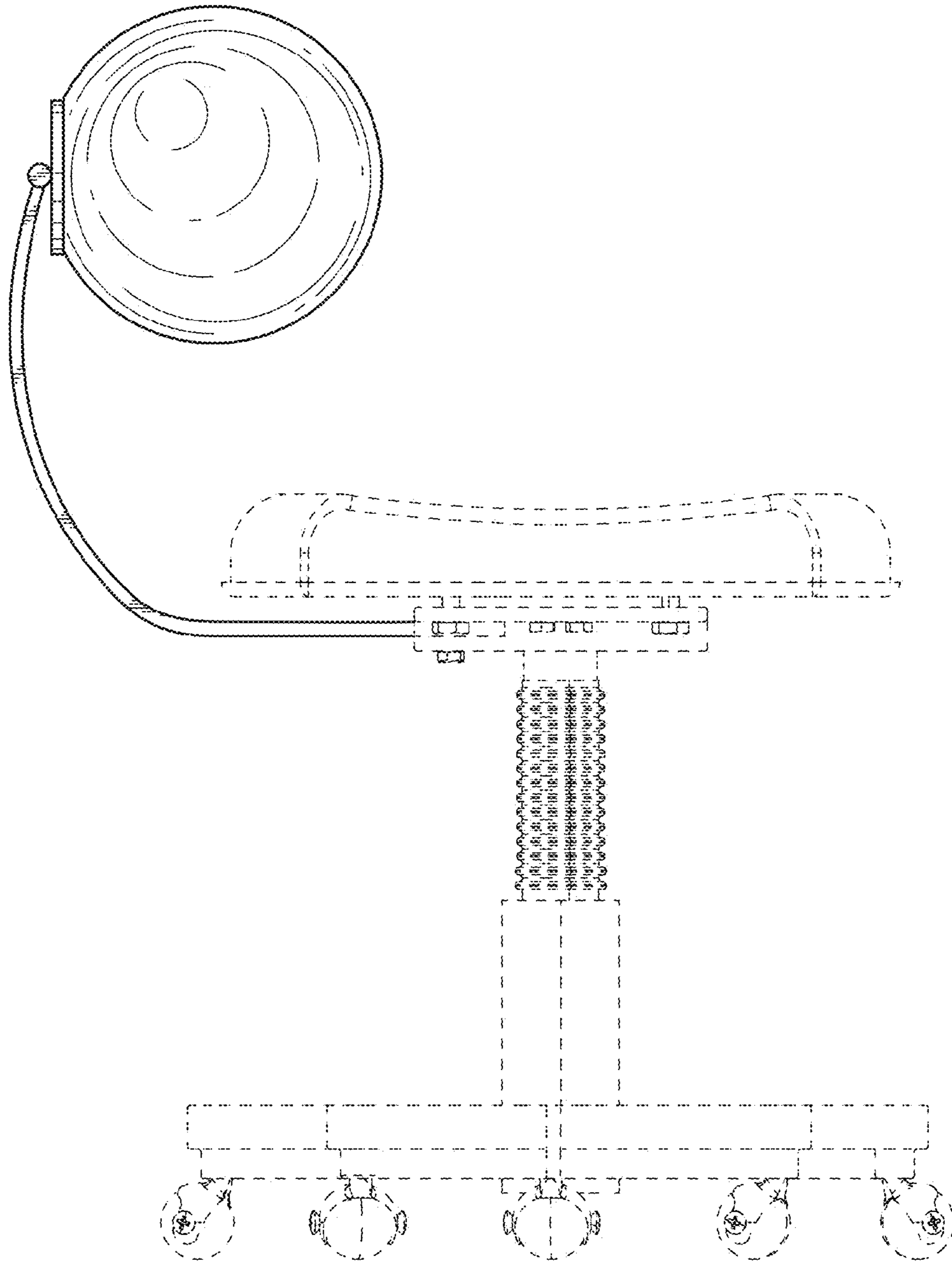


FIG. 3

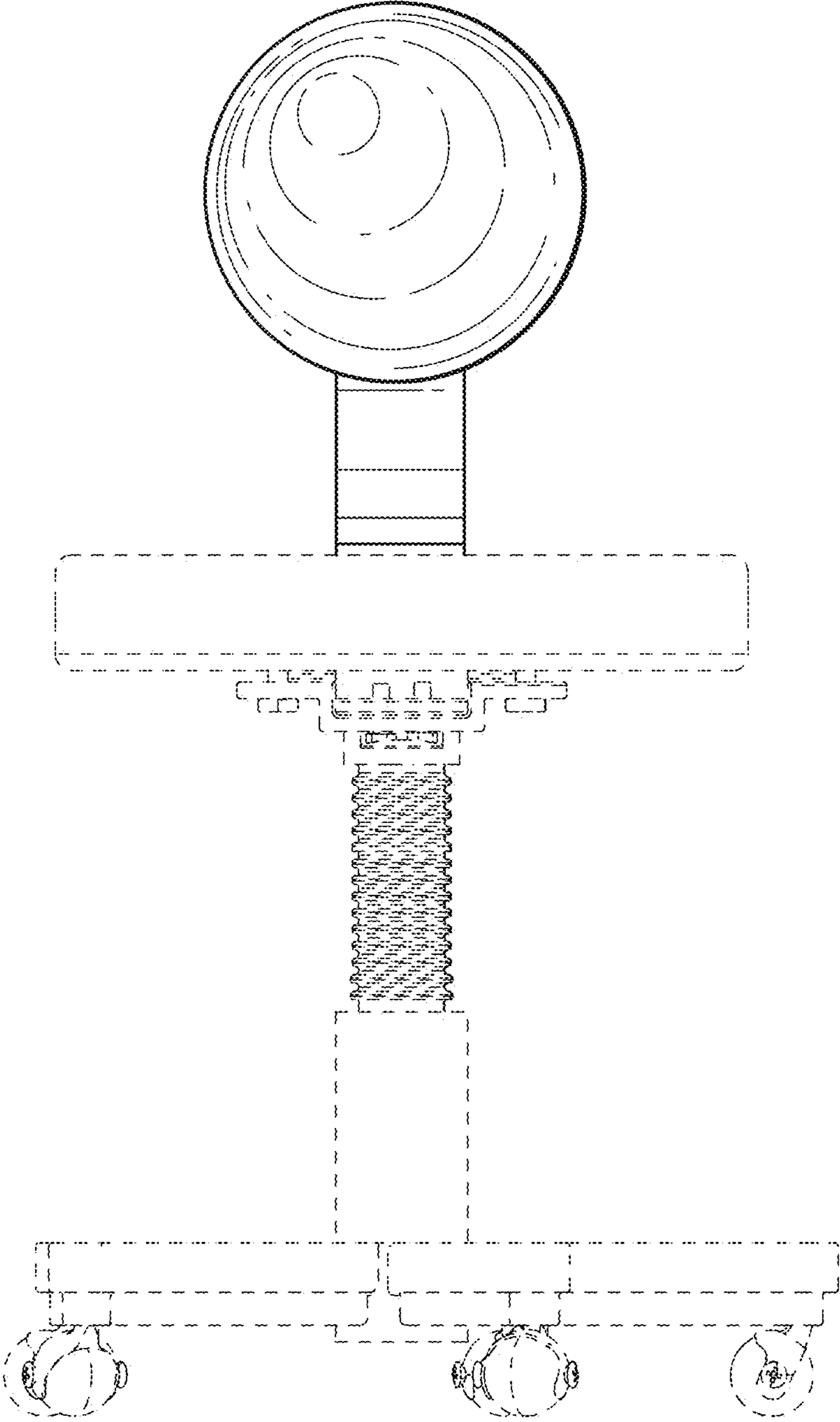


FIG 4

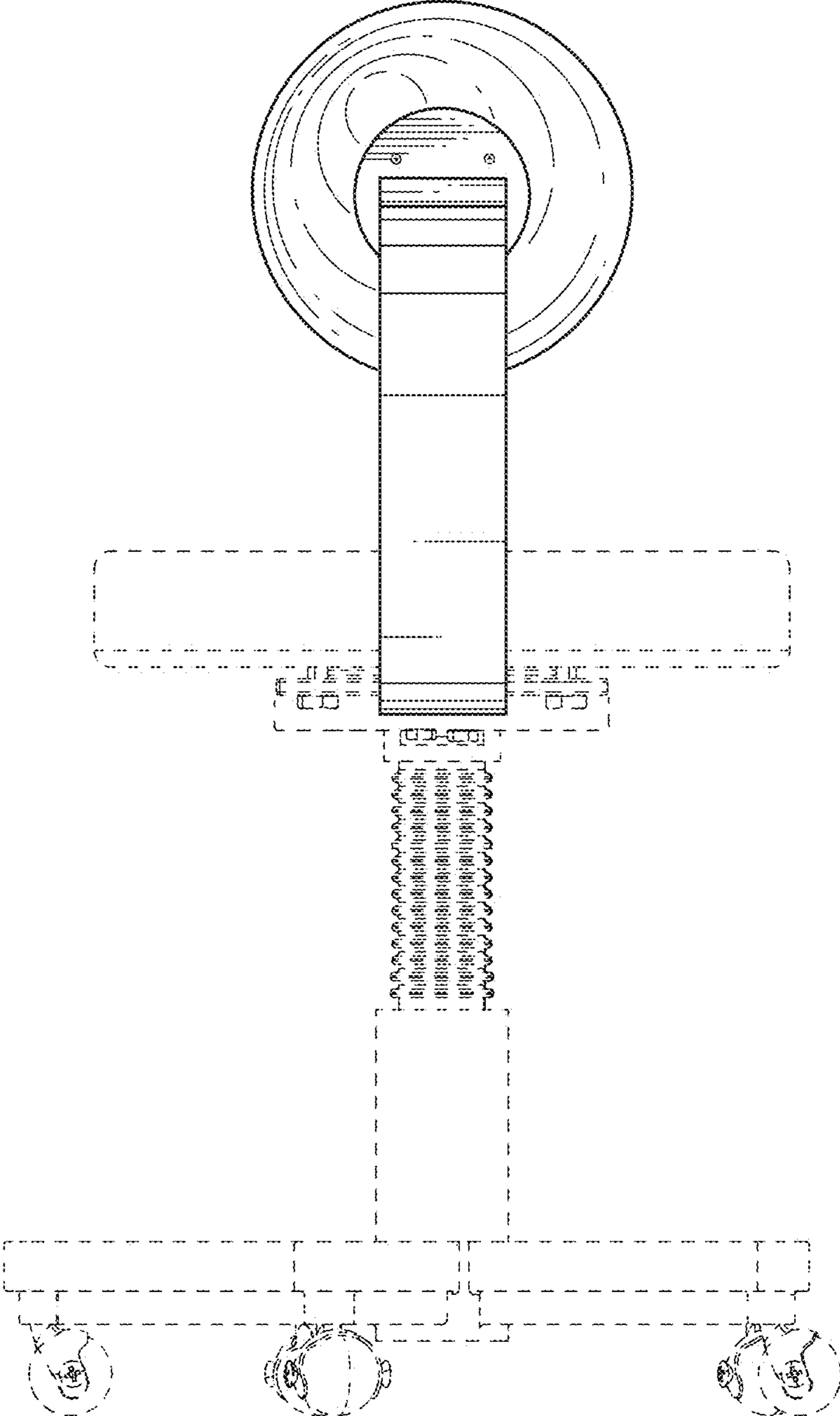


FIG. 5

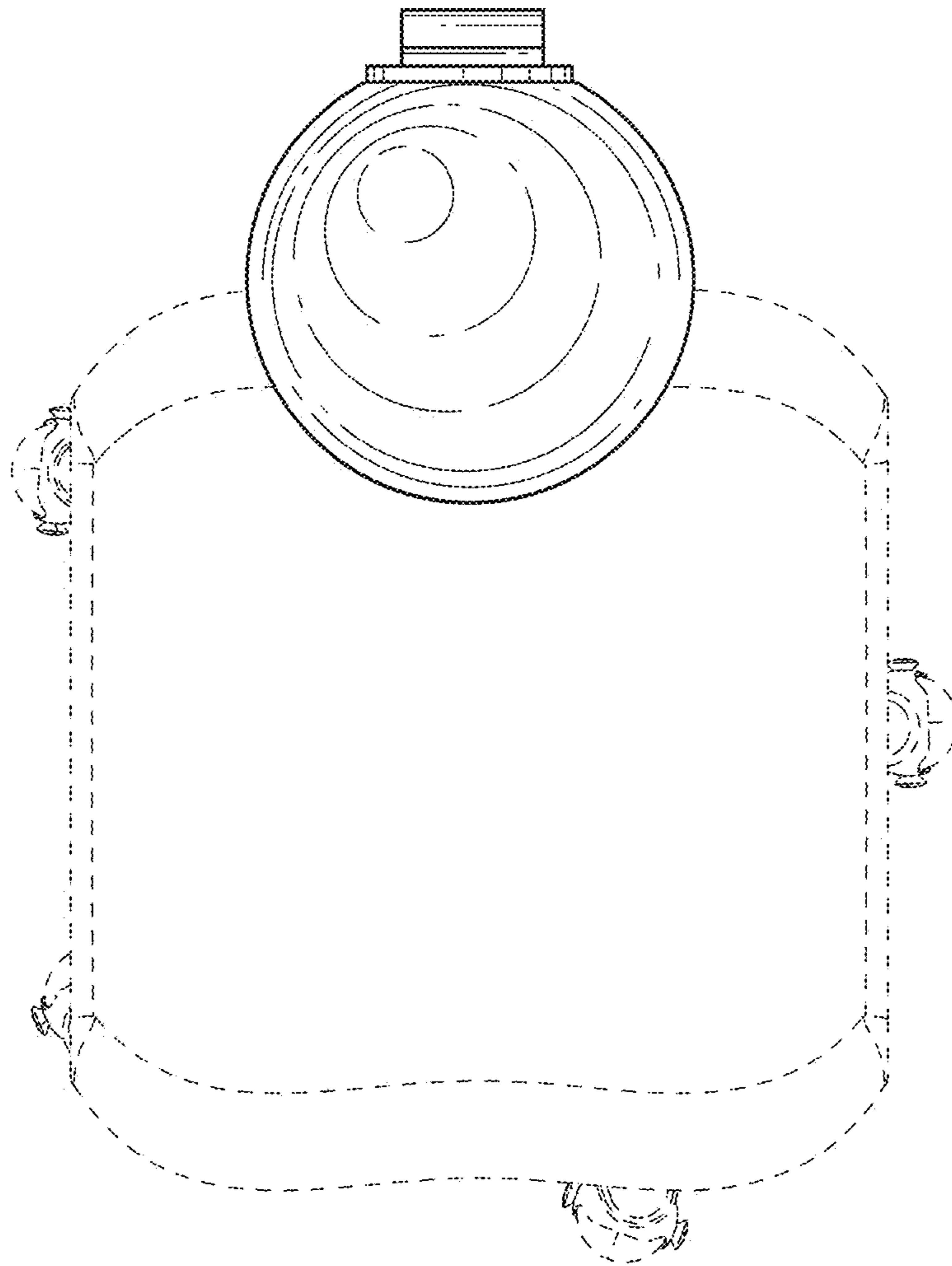


FIG. 6

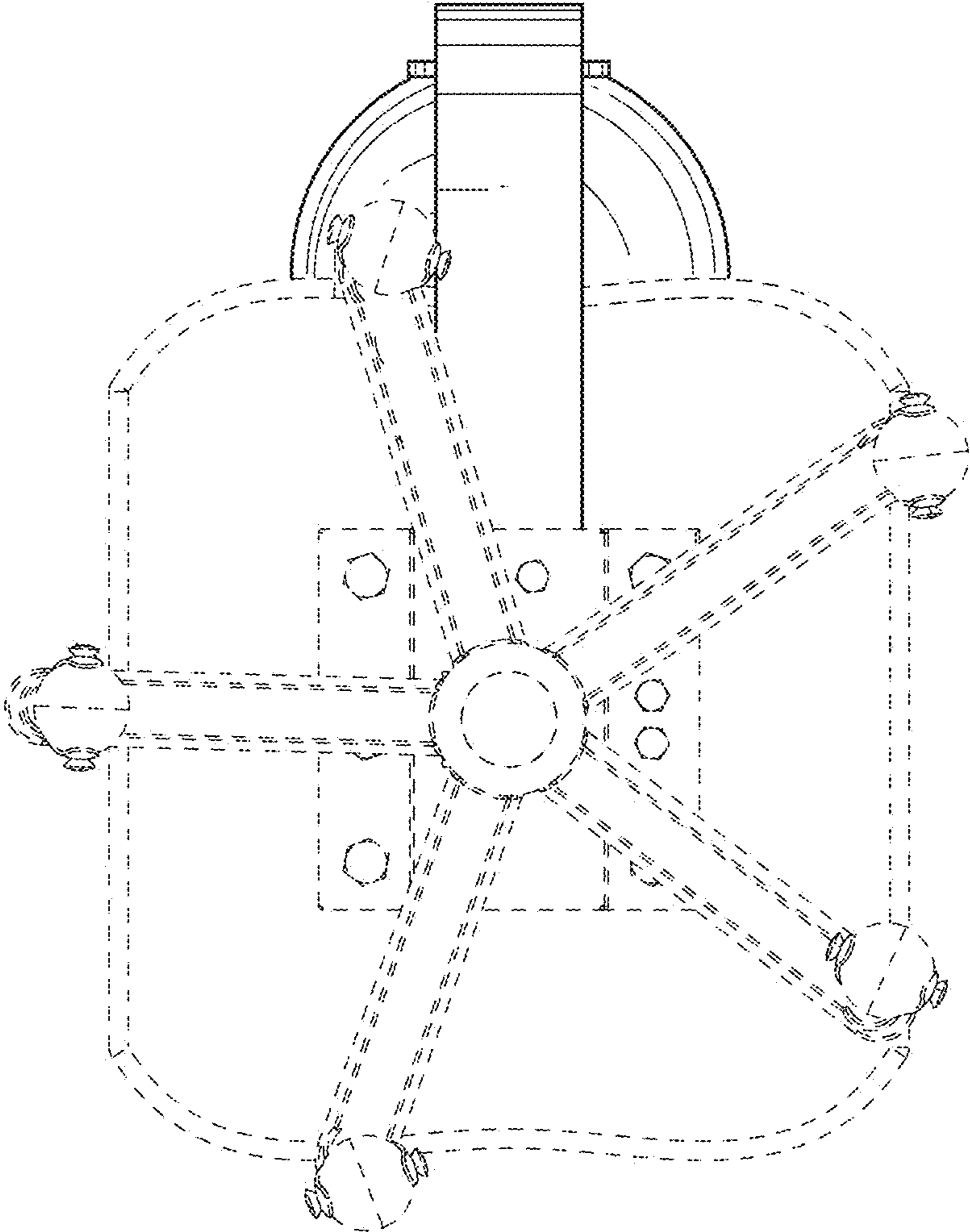


FIG. 7