



US00D728292S

(12) **United States Design Patent**
Ooki

(10) **Patent No.:** **US D728,292 S**

(45) **Date of Patent:** **** May 5, 2015**

(54) **CHAIR**

(71) Applicant: **Kokuyo Furniture Co., Ltd.**, Osaka-shi,
Osaka (JP)

(72) Inventor: **Kazutaka Ooki**, Osaka (JP)

(73) Assignee: **Kokuyo Furniture Co., Ltd.**, Osaka-shi,
Osaka (JP)

(**) Term: **14 Years**

(21) Appl. No.: **29/490,624**

(22) Filed: **May 12, 2014**

(30) **Foreign Application Priority Data**

Nov. 12, 2013 (JP) 2013-026461

(51) **LOC (10) Cl.** **06-01**

(52) **U.S. Cl.**
USPC **D6/716.4; D6/366**

(58) **Field of Classification Search**
CPC A47C 7/16; A47C 7/022; A47C 7/46;
A47C 7/462; A47C 7/40; A47C 7/822
USPC D6/334-336, 366, 367, 369, 379, 380,
D6/716, 716.1, 716.4; 297/284.4, 284.5,
297/284.7, 451.13, 452.29, 452.56
See application file for complete search history.

(56) **References Cited**

U.S. PATENT DOCUMENTS

D440,419 S *	4/2001	Roder	D6/366
D449,457 S *	10/2001	Su	D6/366
D451,293 S *	12/2001	Su	D6/366
D453,079 S *	1/2002	Ma	D6/366
D479,656 S *	9/2003	Ma	D6/366

D489,191 S *	5/2004	Ma	D6/366
7,097,247 B2 *	8/2006	Batley et al.	A47C 7/46
D534,384 S *	1/2007	Su	D6/716.4
D543,398 S *	5/2007	Su	D6/716.4
D553,886 S *	10/2007	Su	D6/716.4
7,344,194 B2 *	3/2008	Maier et al.	A47C 7/46
7,396,079 B2 *	7/2008	Heidmann et al.	A47C 7/46
D580,198 S *	11/2008	Wu	D6/716.4
D582,170 S *	12/2008	Chi	D6/366
7,748,783 B2 *	7/2010	Kinoshita et al.	A47C 7/46
7,854,479 B2 *	12/2010	Mundell	297/284.4
D641,573 S *	7/2011	Tsai	D6/716.4
D653,044 S *	1/2012	Schaack	D6/366
D660,622 S *	5/2012	Su	D6/716.4
D661,136 S *	6/2012	Su	D6/716.4
D661,137 S *	6/2012	Su	D6/716.4
D666,032 S *	8/2012	Su	D6/716.4
D673,394 S *	1/2013	Hurford	D6/716
D683,574 S *	6/2013	Su	D6/716.4

* cited by examiner

Primary Examiner — Mimosa De

(74) *Attorney, Agent, or Firm* — Banner & Witcoff, Ltd.

(57) **CLAIM**

The ornamental design for a chair, as shown and described.

DESCRIPTION

FIG. 1 is a rear perspective view of a chair showing my new design;

FIG. 2 is a front view thereof;

FIG. 3 is a rear view thereof;

FIG. 4 is a left side view thereof;

FIG. 5 is a right side view thereof; and,

FIG. 6 is a top view thereof.

The broken lines shown are included for the purpose of illustrating the unclaimed portions of the chair and form no part of the claimed design.

1 Claim, 6 Drawing Sheets

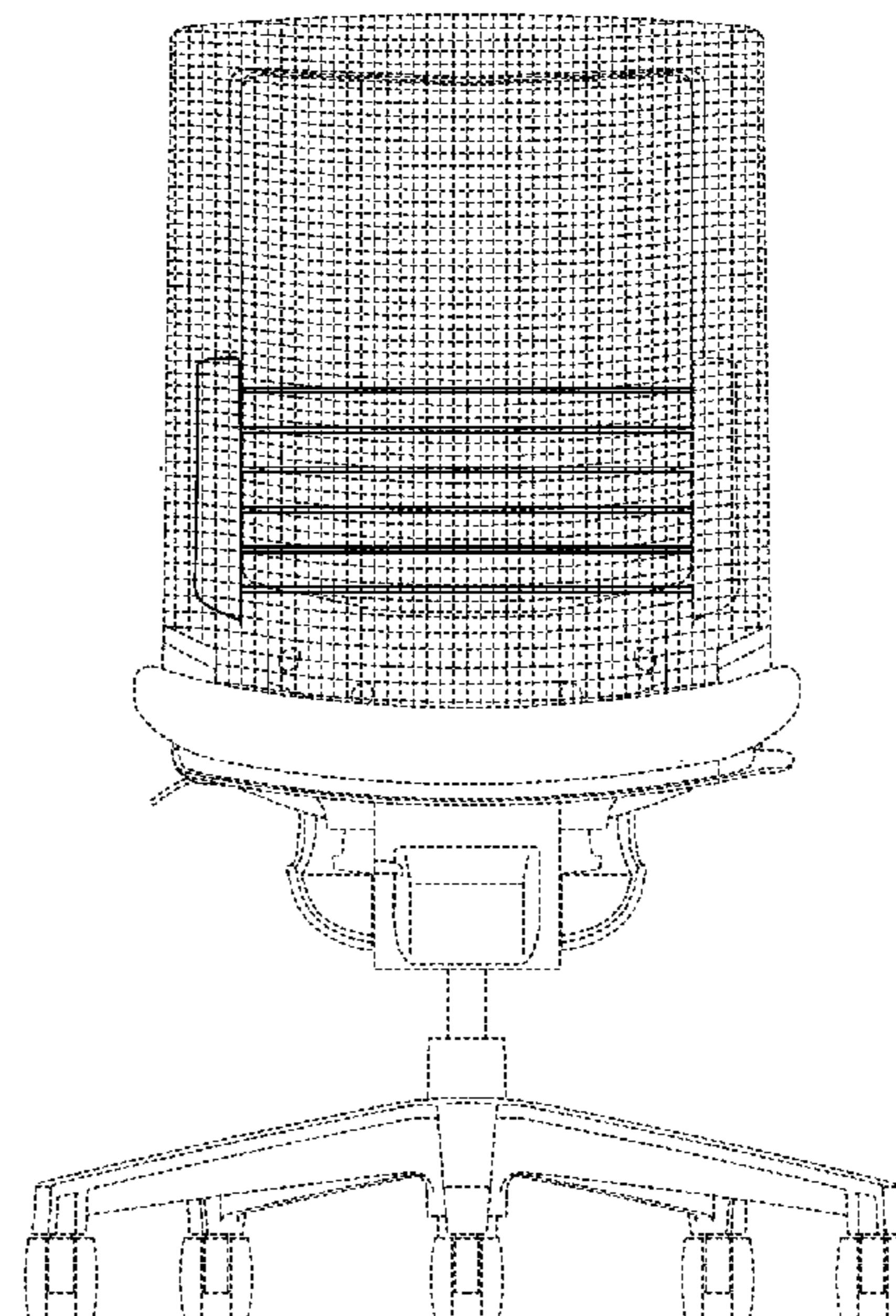
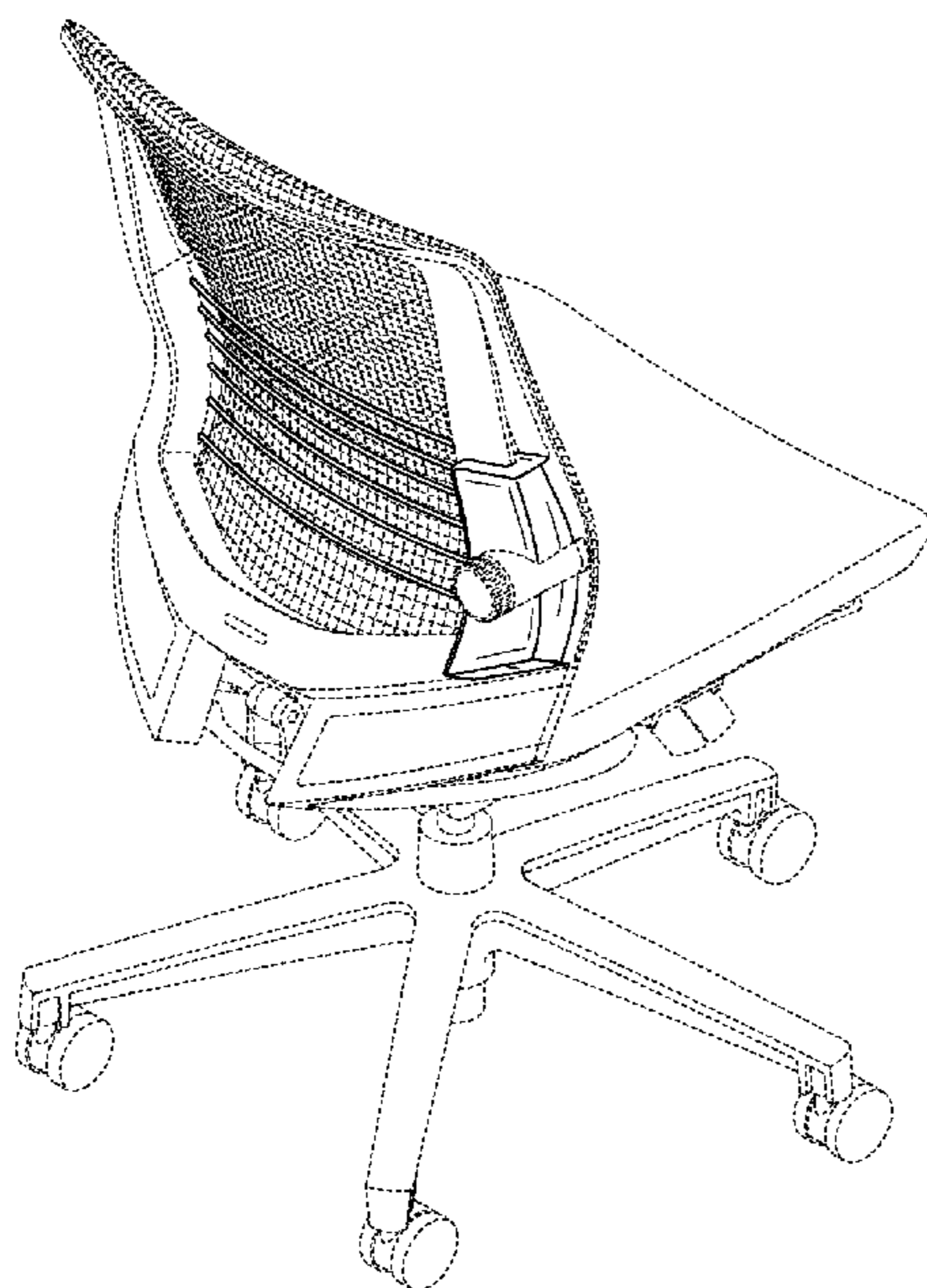


Fig. 1

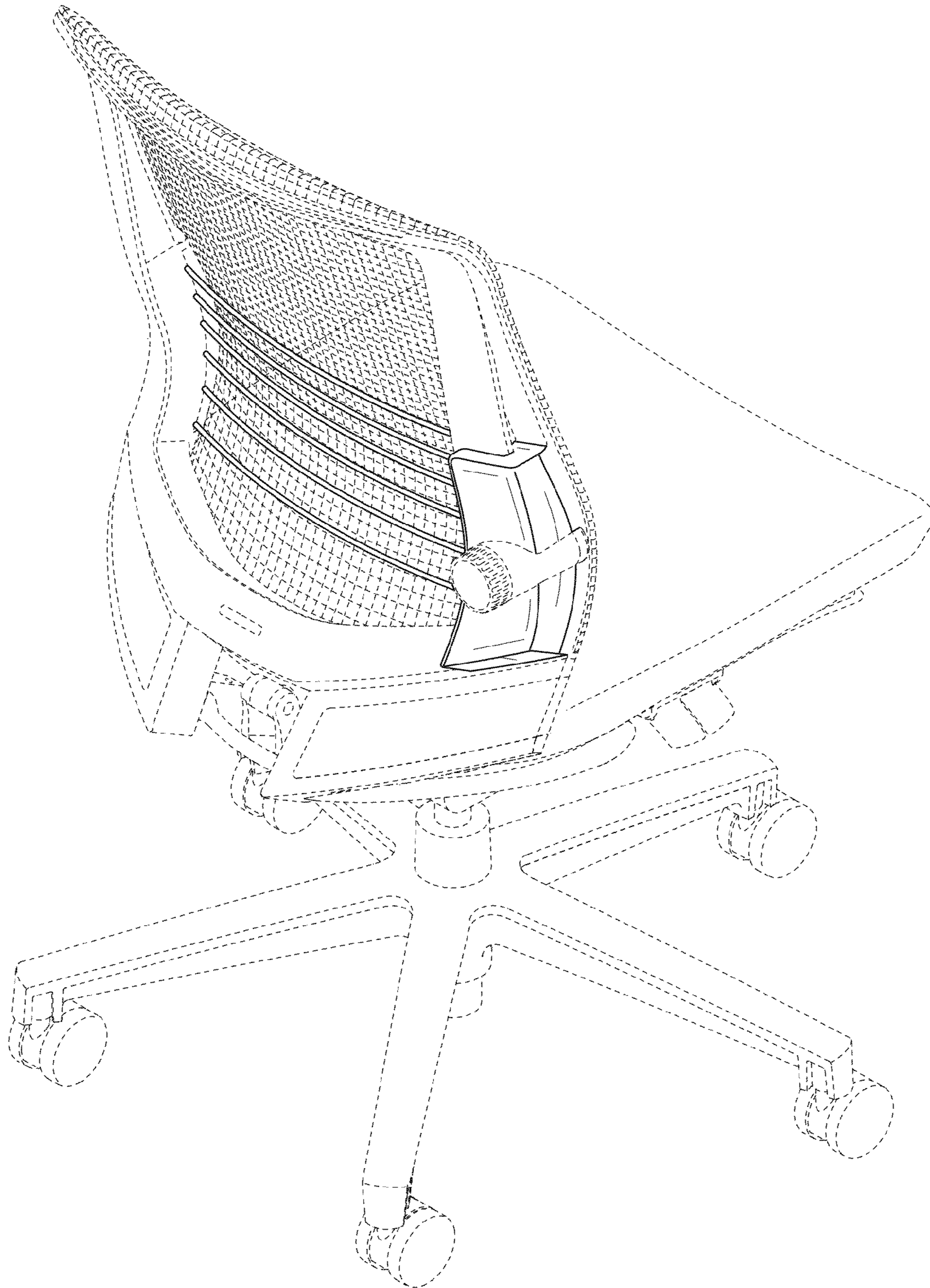


Fig. 2

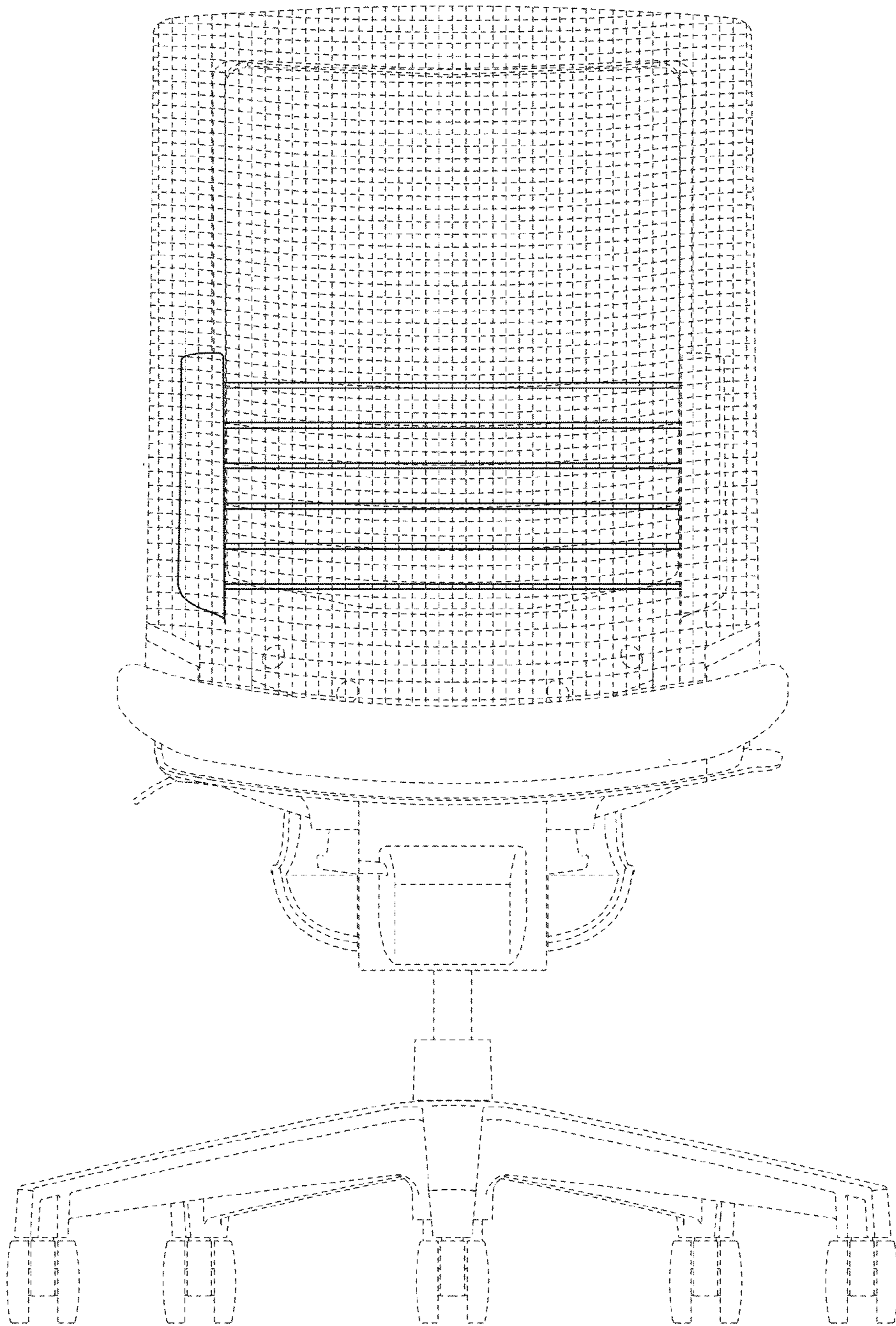


Fig. 3

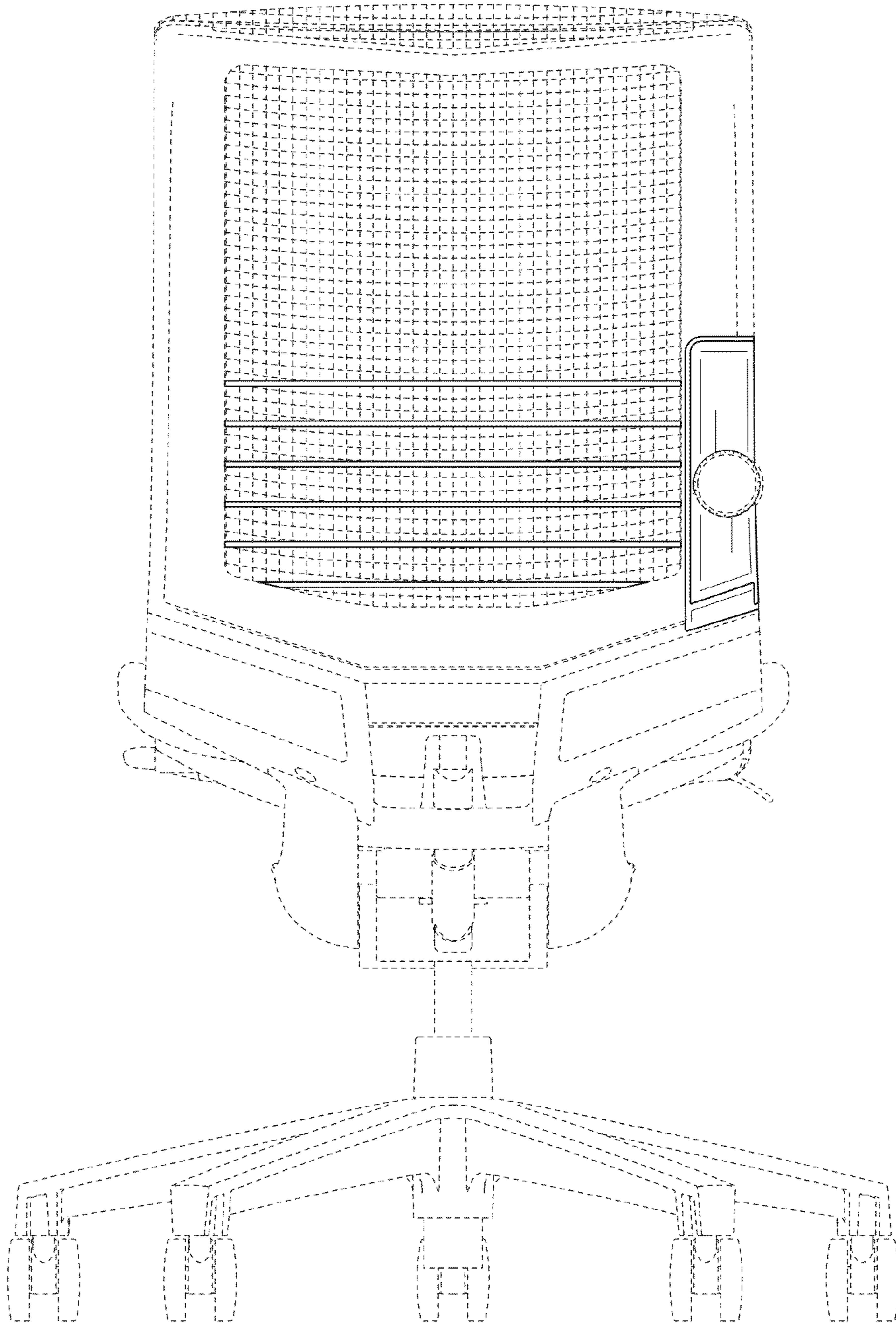


Fig. 4

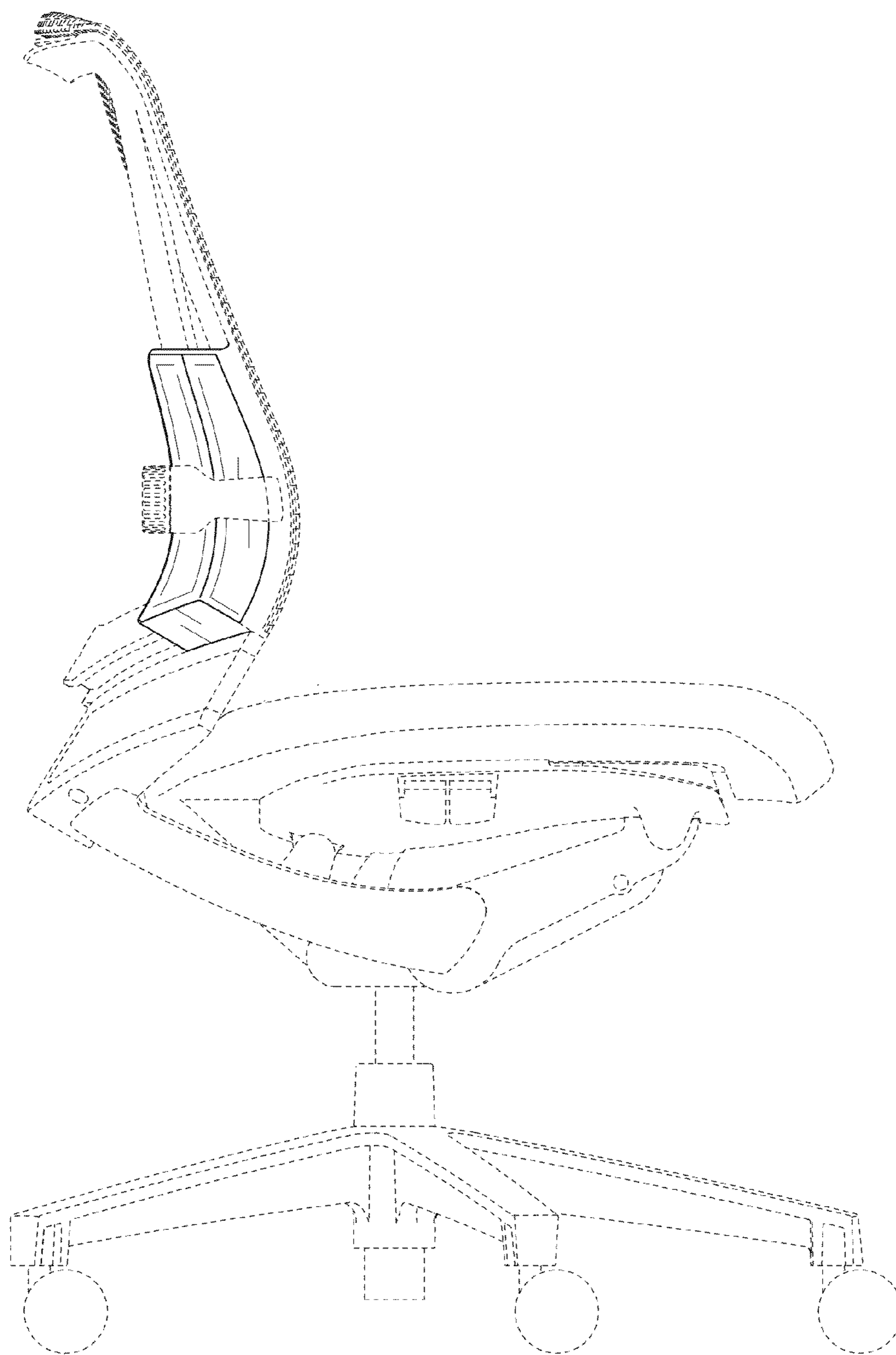


Fig. 5

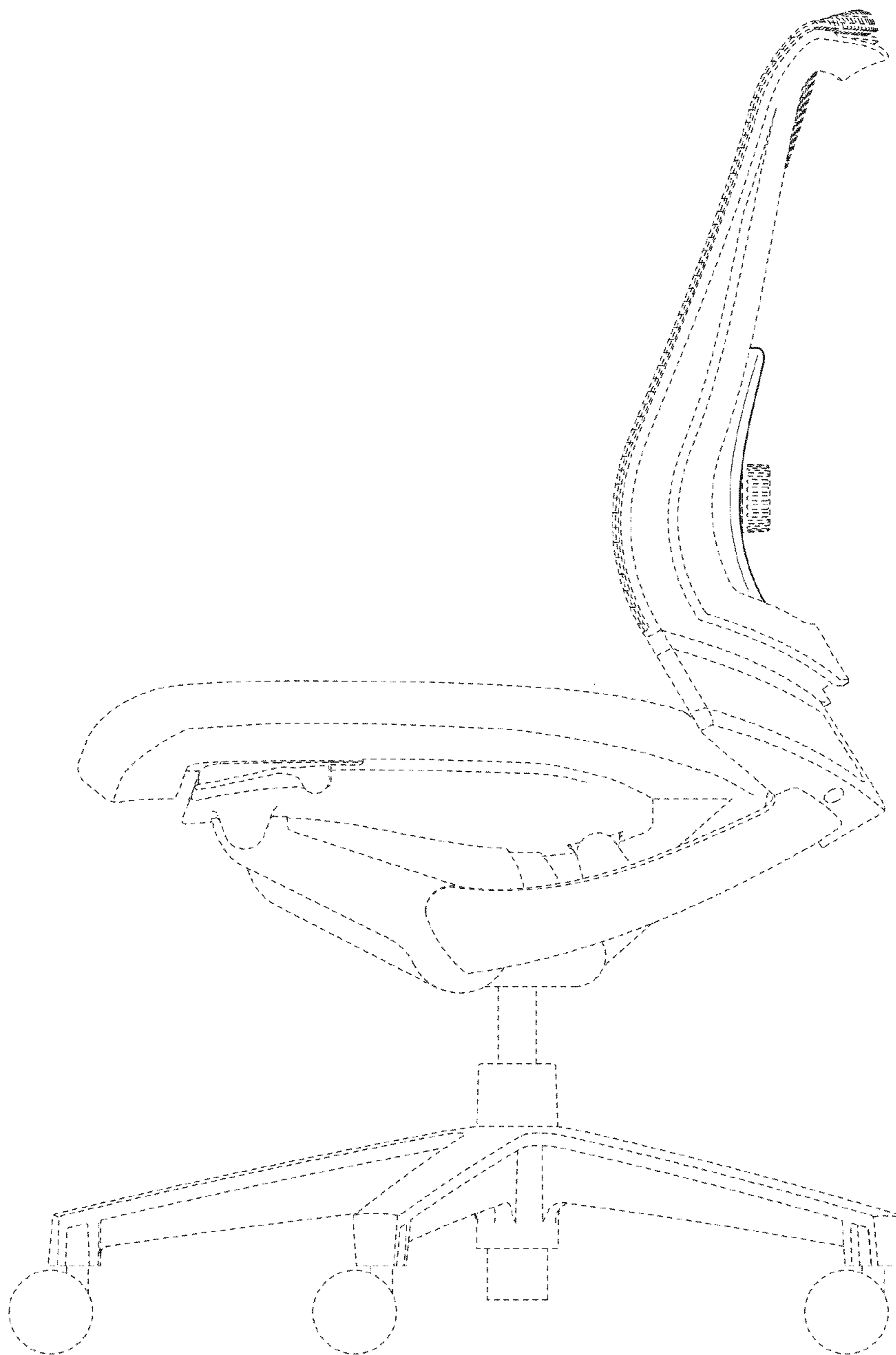


Fig. 6

