



US00D728291S

(12) **United States Design Patent**
Ooki

(10) **Patent No.:** **US D728,291 S**

(45) **Date of Patent:** **** May 5, 2015**

(54) **CHAIR BACK**

(71) Applicant: **Kokuyo Furniture Co., Ltd.**, Osaka-shi,
Osaka (JP)

(72) Inventor: **Kazutaka Ooki**, Osaka (JP)

(73) Assignee: **Kokuyo Furniture Co., Ltd.**, Osaka-shi,
Osaka (JP)

(**) Term: **14 Years**

(21) Appl. No.: **29/490,613**

(22) Filed: **May 12, 2014**

(30) **Foreign Application Priority Data**

Nov. 12, 2013 (JP) 2013-026462

(51) **LOC (10) Cl.** **06-01**

(52) **U.S. Cl.**

USPC **D6/716.4**

(58) **Field of Classification Search**

CPC A47C 7/54; A47C 7/543; A47C 7/40;
A47C 7/022; A47C 7/282

USPC D6/334-336, 366, 367, 369, 379, 380,
D6/716, 716.4; 297/411.29, 452.13,
297/452.29, 452.56, 452.64

See application file for complete search history.

(56) **References Cited**

U.S. PATENT DOCUMENTS

D527,920	S	*	9/2006	Giugiaro	D6/366
D528,811	S	*	9/2006	Giugiaro	D6/366
D558,995	S	*	1/2008	Igarashi	D6/366
D559,572	S	*	1/2008	Igarashi	D6/366
D567,521	S	*	4/2008	Igarashi	D6/366
D600,052	S	*	9/2009	Smith et al.	D6/716.4
8,029,066	B2	*	10/2011	Su	A47C 7/40
D671,330	S	*	11/2012	Izawa	D6/366
D671,331	S	*	11/2012	Izawa	D6/366
D671,332	S	*	11/2012	Izawa	D6/366
D671,759	S	*	12/2012	Hurford	D6/366
D701,068	S	*	3/2014	Usumoto et al.	D6/716
D702,977	S	*	4/2014	Bonneywell	D6/716

* cited by examiner

Primary Examiner — Mimoso De

(74) *Attorney, Agent, or Firm* — Banner & Witcoff, Ltd.

(57) **CLAIM**

The ornamental design for a chair back, as shown and described.

DESCRIPTION

FIG. 1 is a rear perspective view of a chair back showing my new design;
FIG. 2 is a front view thereof;
FIG. 3 is a rear view thereof;
FIG. 4 is a right side view thereof;
FIG. 5 is a top view thereof;
FIG. 6 is a bottom view thereof; and,
FIG. 7 is an enlarged end view thereof, taken along the line 7-7 in FIG. 2.

1 Claim, 7 Drawing Sheets

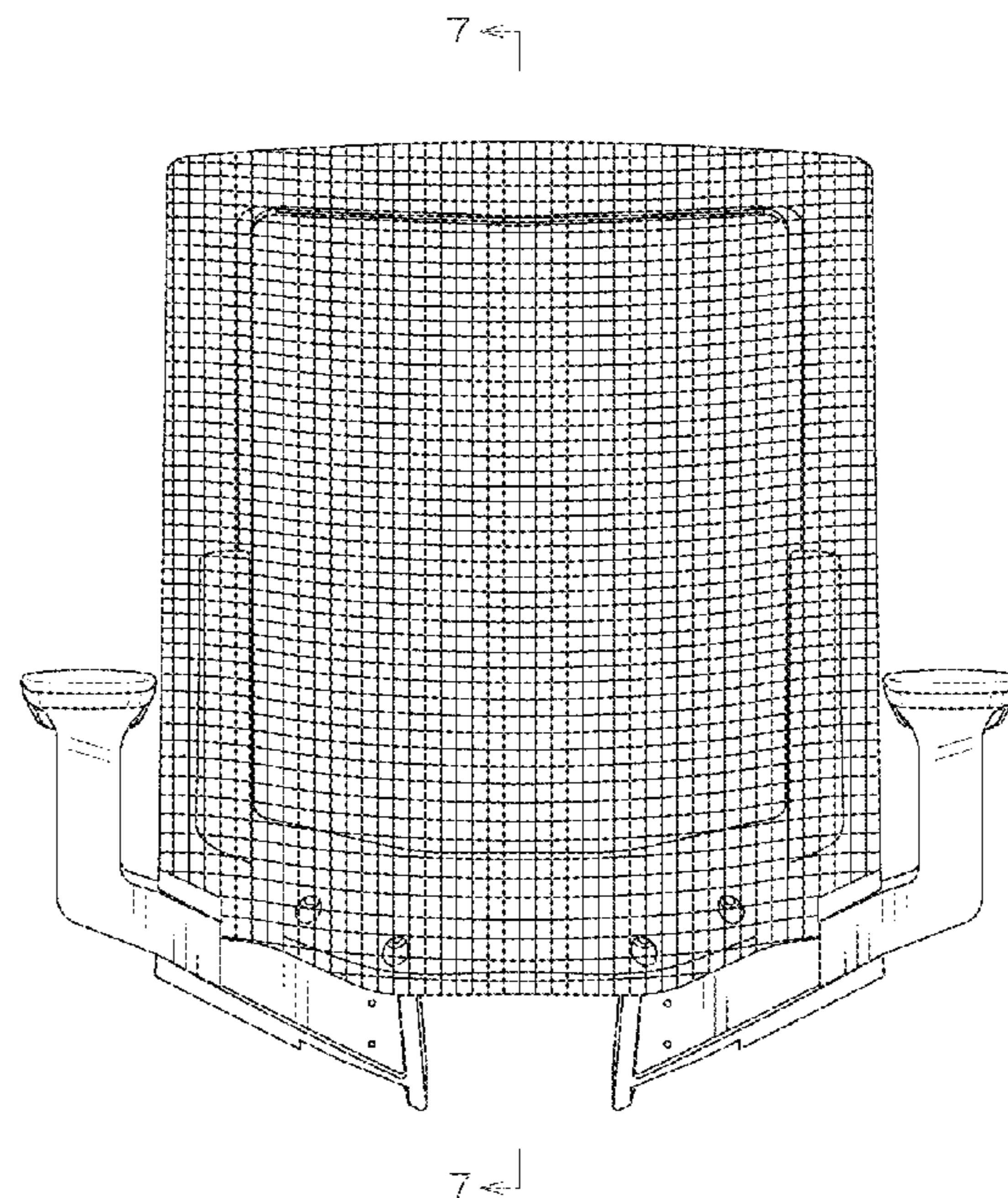
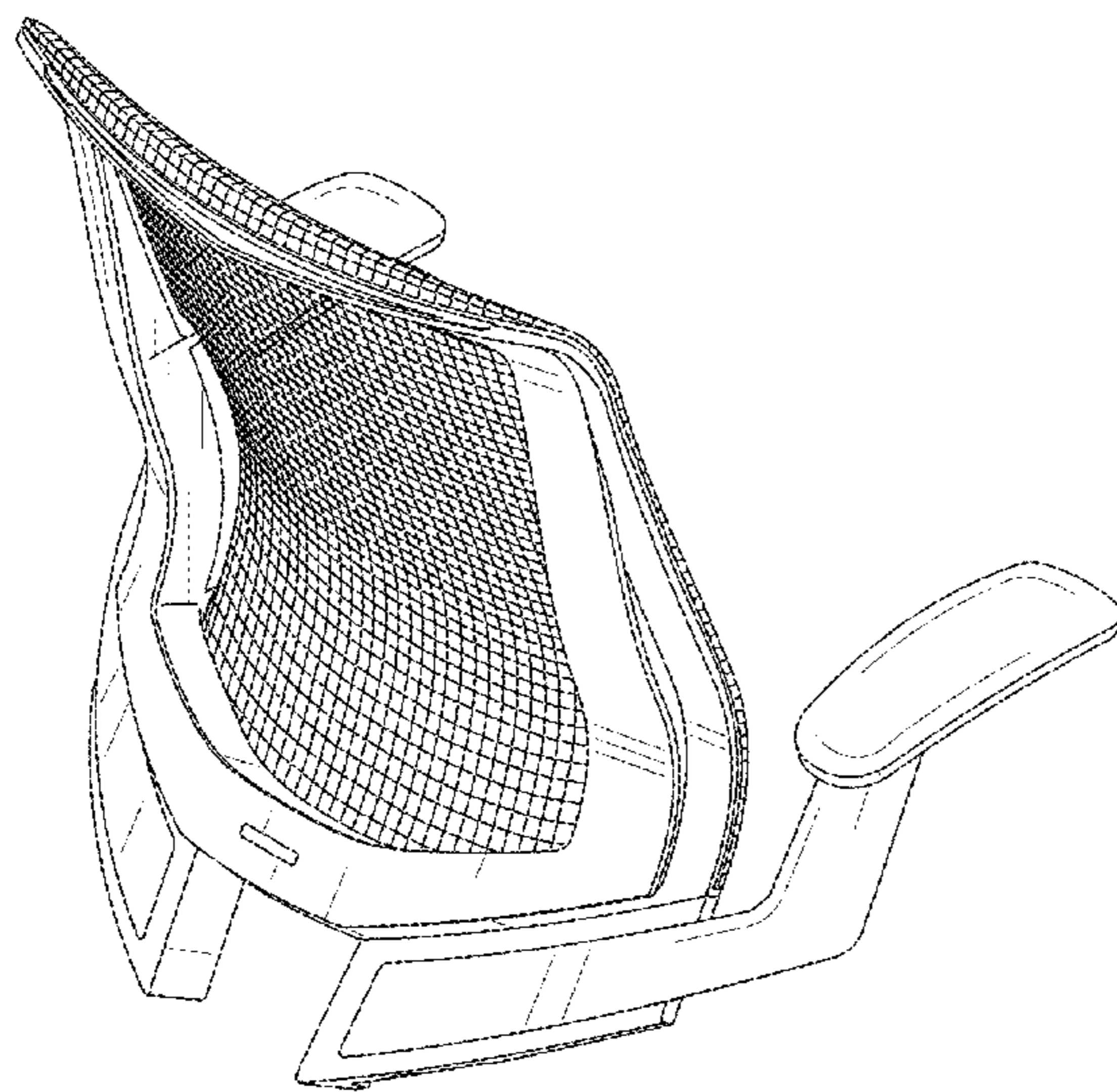


Fig. 1

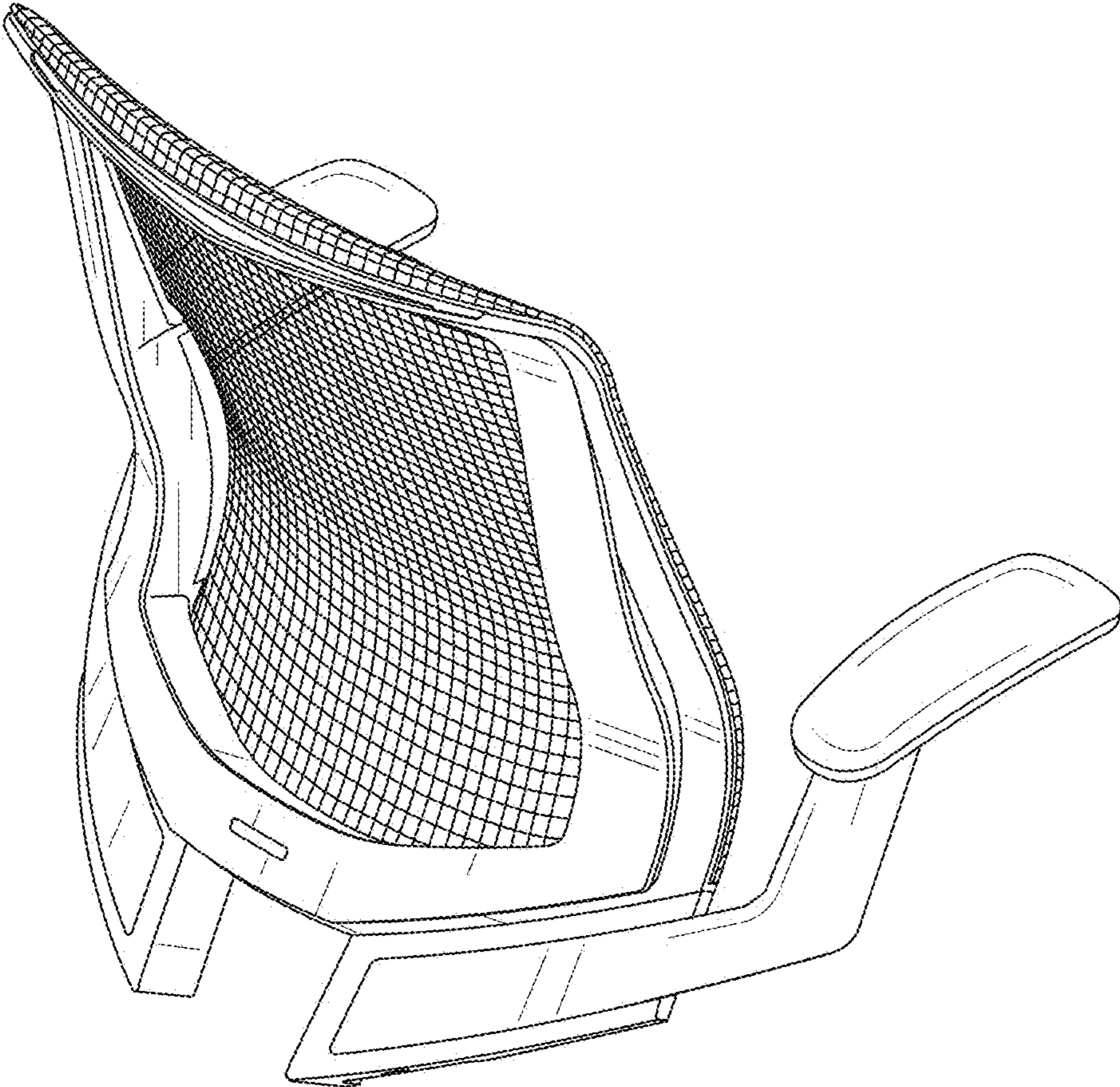


Fig. 2

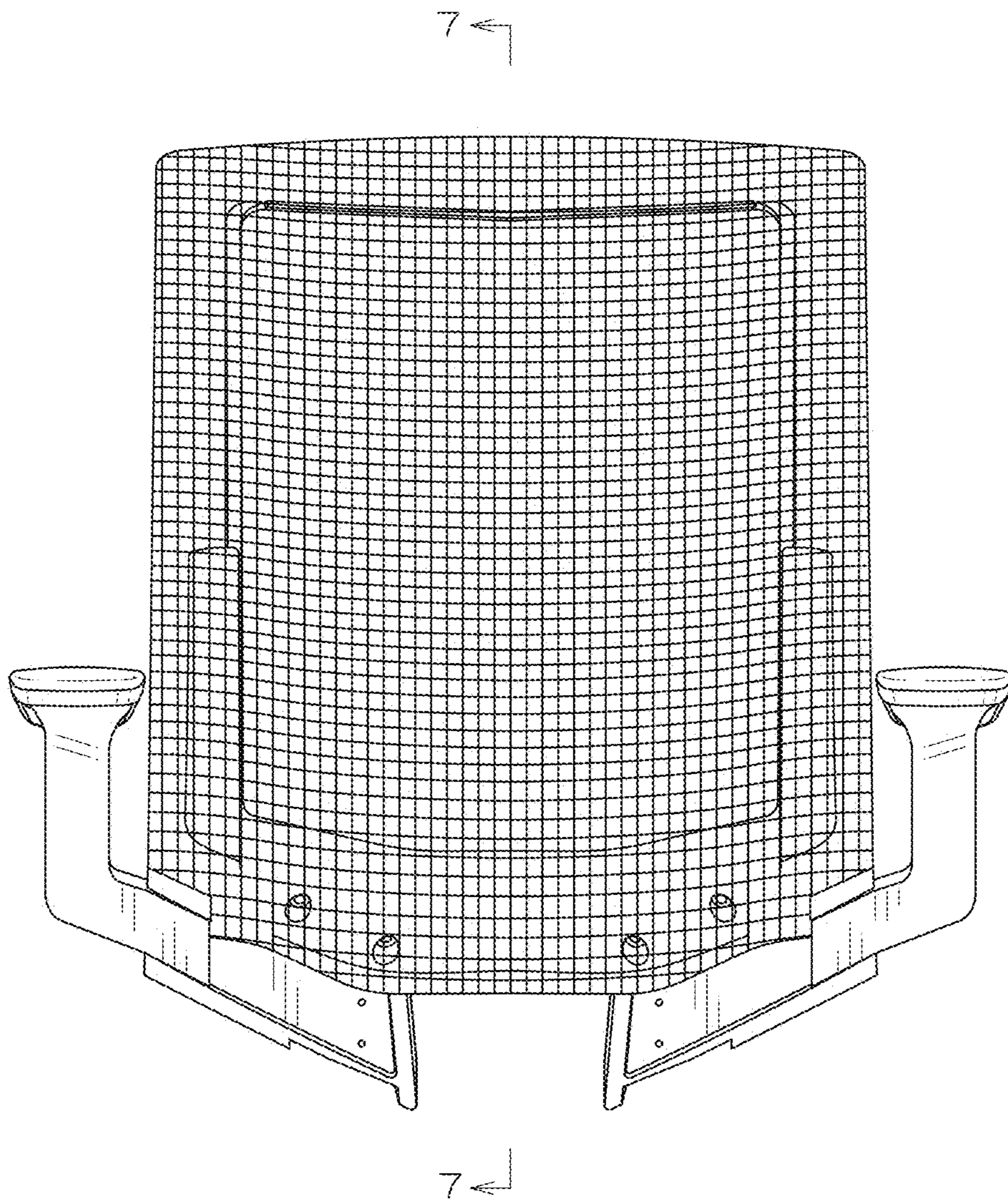


Fig. 3

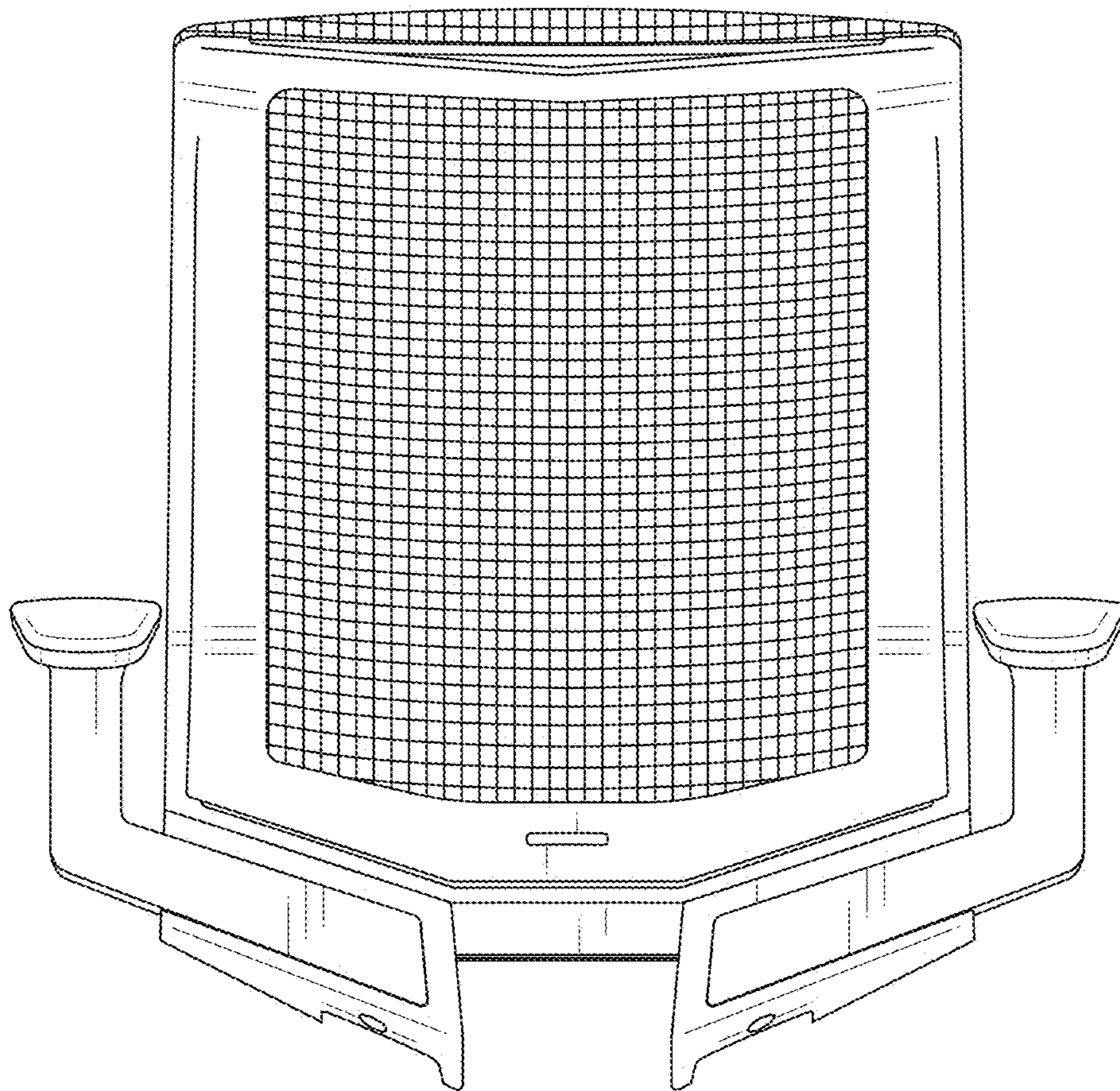


Fig. 4

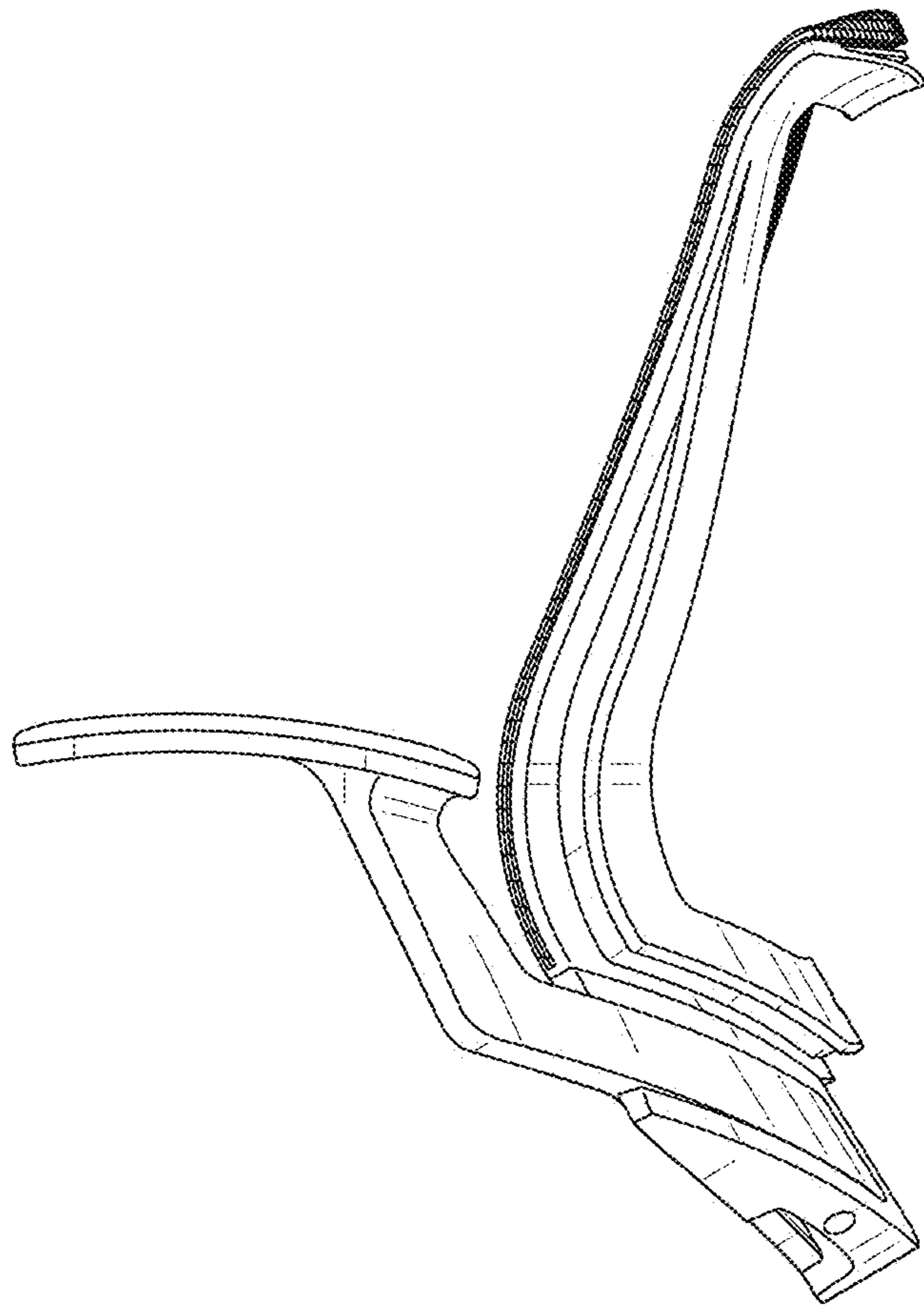


Fig. 5

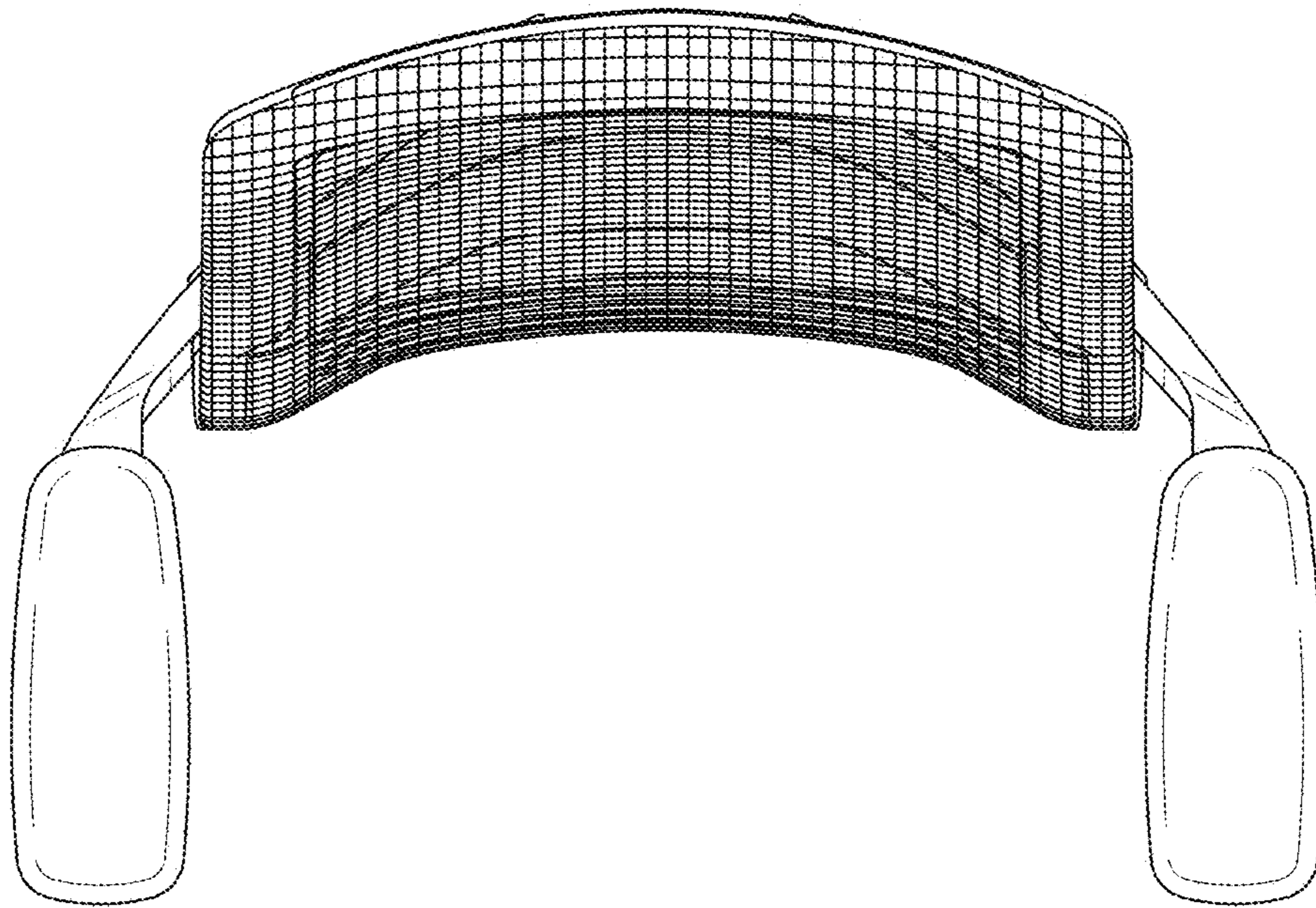


Fig. 6

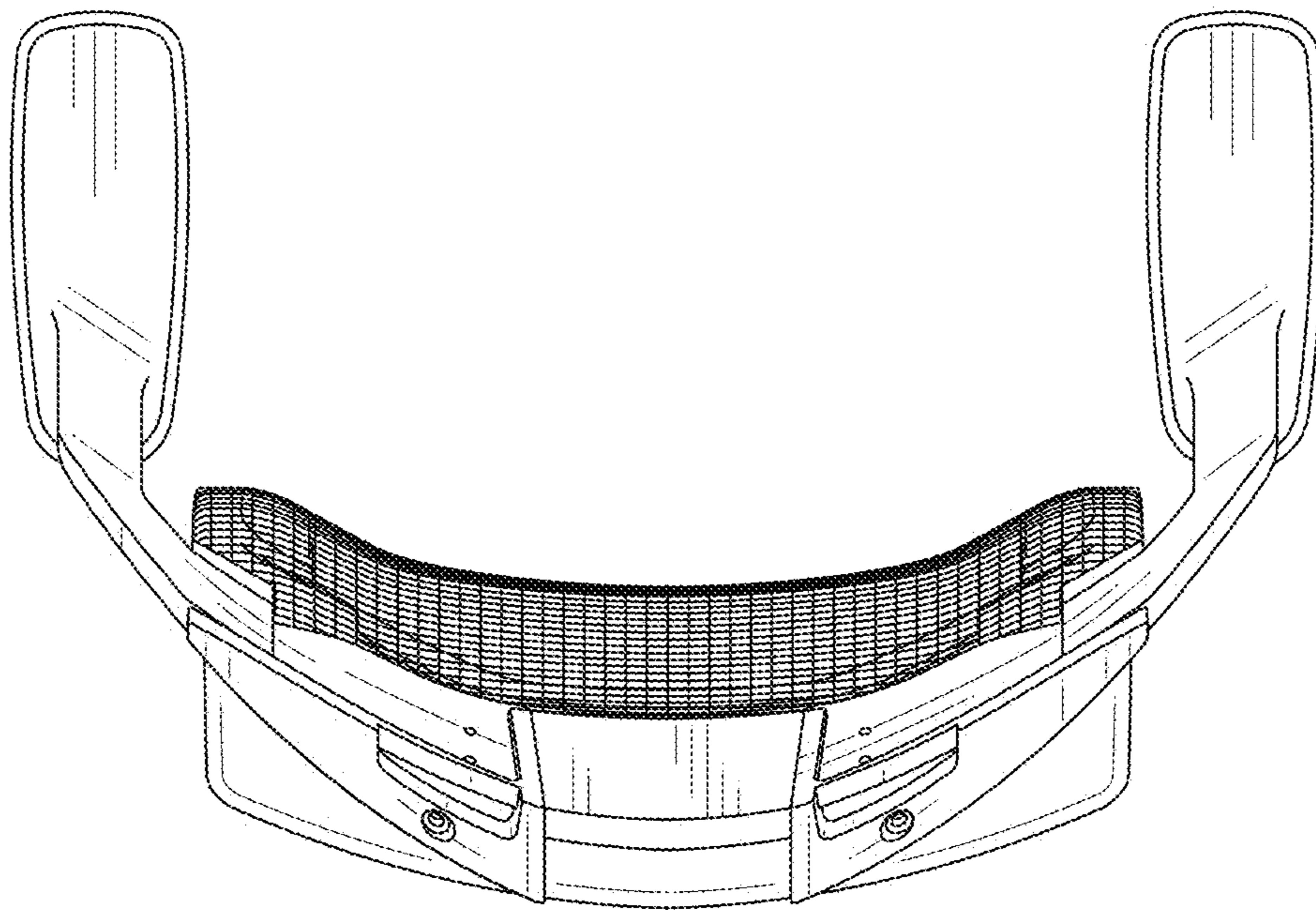


Fig. 7

