



US00D728290S

(12) **United States Design Patent**  
**Shapiro et al.**

(10) **Patent No.:** **US D728,290 S**  
(45) **Date of Patent:** **\*\* May 5, 2015**

- (54) **BASE FOR AN INFANT SUPPORT STRUCTURE**
- (71) Applicant: **Mattel, Inc.**, El Segundo, CA (US)
- (72) Inventors: **David Shapiro**, East Aurora, NY (US);  
**Domenic T. Gubitosi**, East Aurora, NY (US)
- (73) Assignee: **Mattel, Inc.**, El Segundo, CA (US)
- (\*\*) Term: **14 Years**
- (21) Appl. No.: **29/496,894**
- (22) Filed: **Jul. 18, 2014**
- (51) **LOC (10) Cl.** ..... **06-01**
- (52) **U.S. Cl.**  
USPC ..... **D6/715**
- (58) **Field of Classification Search**  
CPC ... B60N 2/2845; B60N 2/2821; A47C 15/004  
USPC ..... D6/333-335, 339, 702, 716,  
D6/716.1-716.7, 715; 297/183.1-183.4,  
297/184.13, 184.15, 184.17, 250.1, 255,  
297/256.1, 256.15, 256.16; 5/94, 98.1,  
5/99.1, 101-102, 105, 655, 414, 416,  
5/413; D12/128-133, 401-403; 24/200;  
D3/5-6; 135/117, 124; 280/30-31,  
280/642, 47.38, 47.4, 647, 650, 658;  
D21/412, 419, 834; 224/409; D34/27  
See application file for complete search history.

5,411,315 A	5/1995	Greenwood	
5,503,458 A	4/1996	Petrie	
6,341,816 B1 *	1/2002	Chen et al.	297/16.1
D480,884 S *	10/2003	Kane et al.	D6/348
6,682,137 B2 *	1/2004	Hsia	297/32
D491,736 S *	6/2004	Kane et al.	D6/348
6,811,217 B2 *	11/2004	Kane et al.	297/270.2
D513,130 S *	12/2005	Canna et al.	D6/333
D543,059 S *	5/2007	Haut	D6/500
7,506,922 B2 *	3/2009	Schulte et al.	297/131

(Continued)

*Primary Examiner* — Caron D Veynar  
*Assistant Examiner* — Abraham Bahta  
(74) *Attorney, Agent, or Firm* — Edell, Shapiro & Finnan, LLC

(57) **CLAIM**

The ornamental design for a base for an infant support structure, as shown and described.

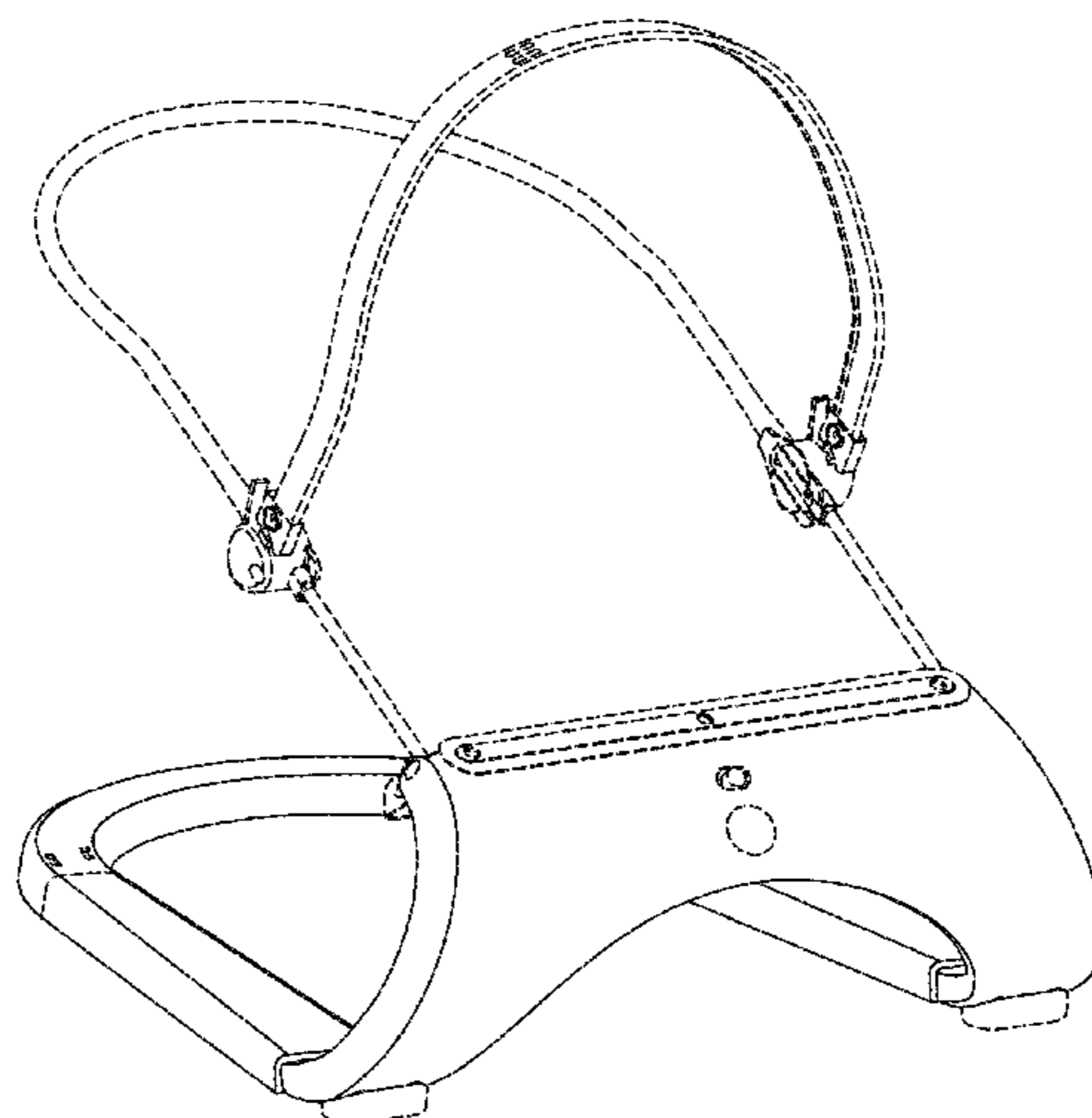
**DESCRIPTION**

FIG. 1 is a front perspective view of a base for an infant support structure according to the present invention;  
FIG. 2 is a front view of the base for an infant support structure of FIG. 1;  
FIG. 3 is a rear view of the base for an infant support structure of FIG. 1;  
FIG. 4 is a left side view of the base for an infant support structure of FIG. 1;  
FIG. 5 is a right side view of the base for an infant support structure of FIG. 1;  
FIG. 6 is a top view of the base for an infant support structure of FIG. 1;  
FIG. 7 is a bottom view of the base for an infant support structure of FIG. 1; and,  
FIG. 8 is a front perspective view of the base for an infant support structure of FIG. 1 including a softgoods cover.  
The broken lines shown in the figures are included for the purpose of illustrating the unclaimed portions of the article and form no part of the claimed design.

**1 Claim, 8 Drawing Sheets**

- (56) **References Cited**  
U.S. PATENT DOCUMENTS

3,017,220 A	1/1962	Chernivsky
3,235,306 A	2/1966	Chernivsky
4,188,678 A	2/1980	Rawolle
4,553,786 A	11/1985	Lockett, III et al.
5,203,611 A	4/1993	Greenwood
5,308,143 A	5/1994	Cheng et al.
5,360,258 A	11/1994	Alivizatos

(56)

**References Cited**

U.S. PATENT DOCUMENTS

7,779,490 B2 8/2010 Bergkvist  
8,038,207 B2 \* 10/2011 Flannery ..... 297/174 CS  
8,079,639 B2 \* 12/2011 Zeng et al. .... 297/131  
8,419,132 B2 4/2013 Jacobs

D691,381 S 10/2013 Kittilsen et al.  
D692,680 S 11/2013 Bergkvist et al.  
2003/0020317 A1 1/2003 Keegan et al.  
2005/0077773 A1 4/2005 Chen  
2012/0180212 A1 7/2012 Gooris  
2012/0181830 A1 7/2012 Gooris

\* cited by examiner

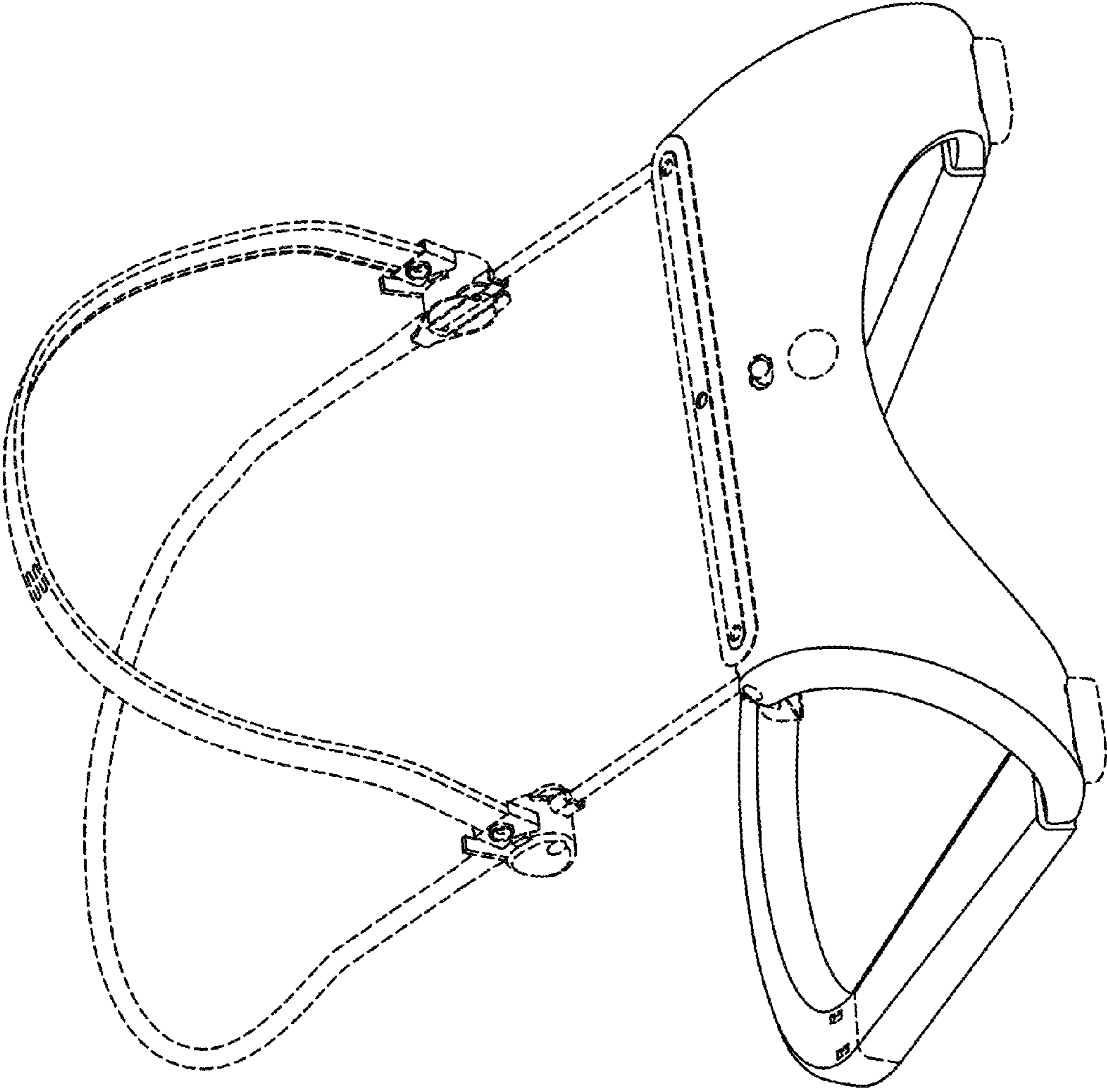


FIG.1

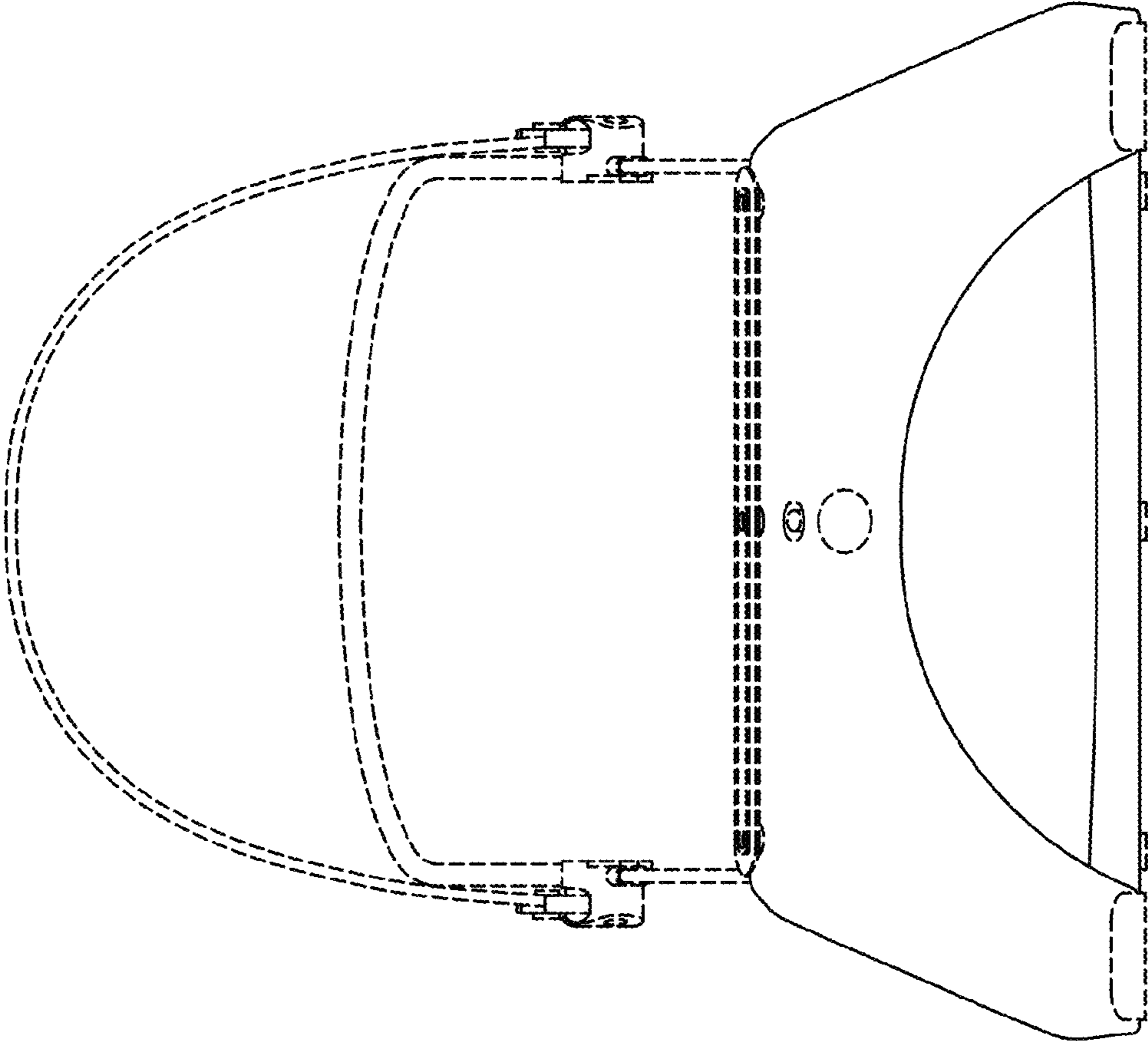


FIG.2

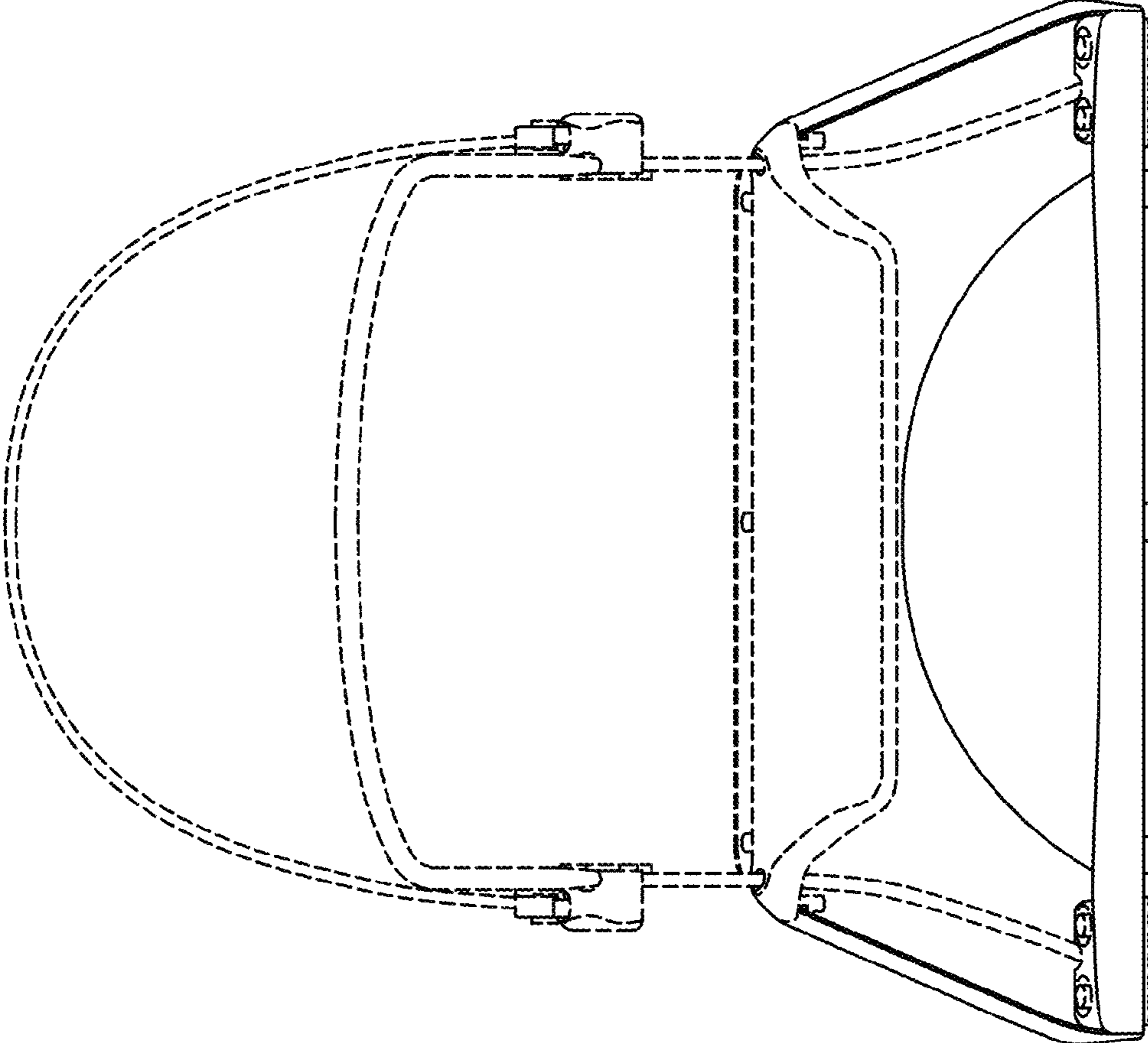
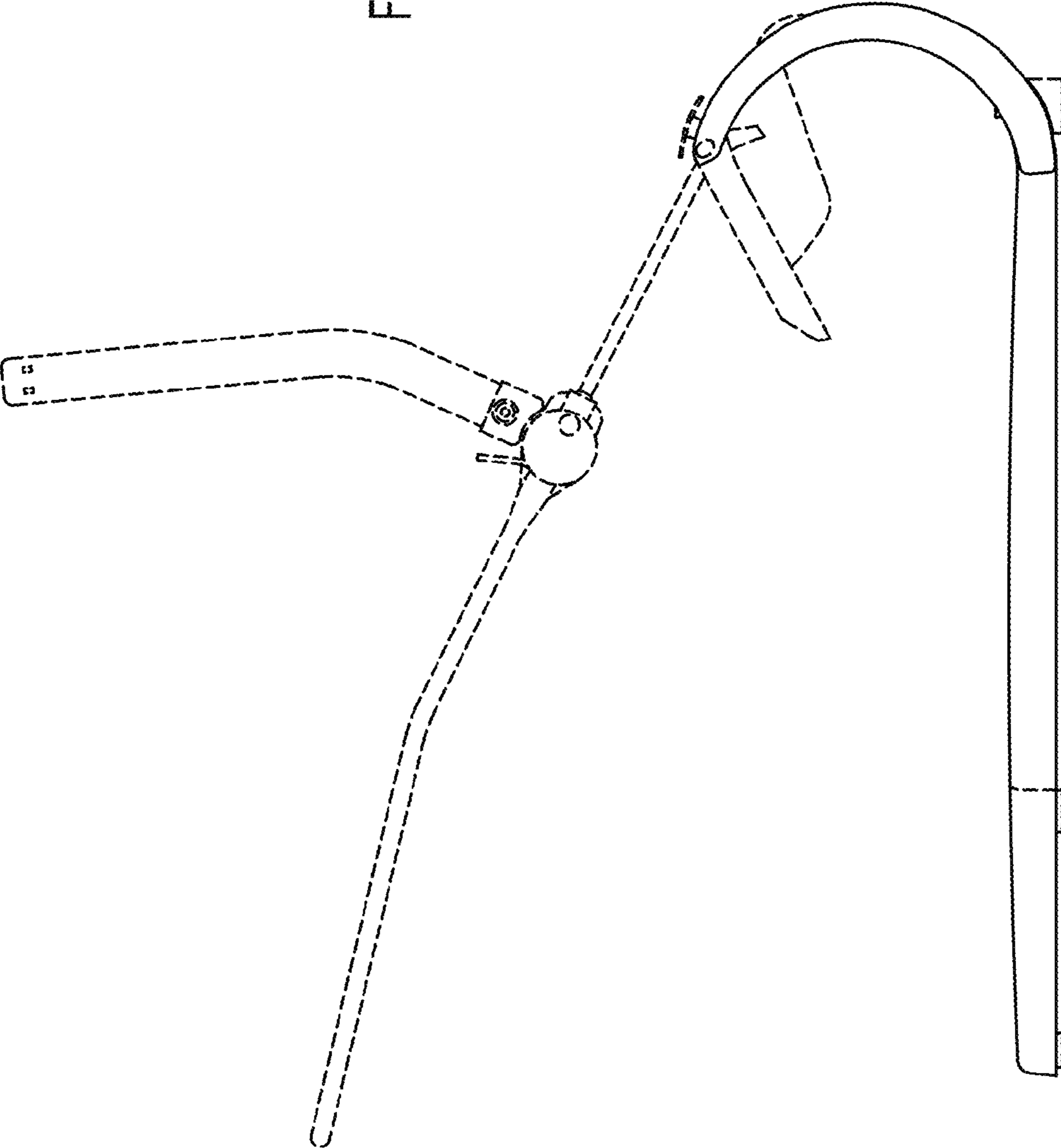


FIG.3

FIG.4





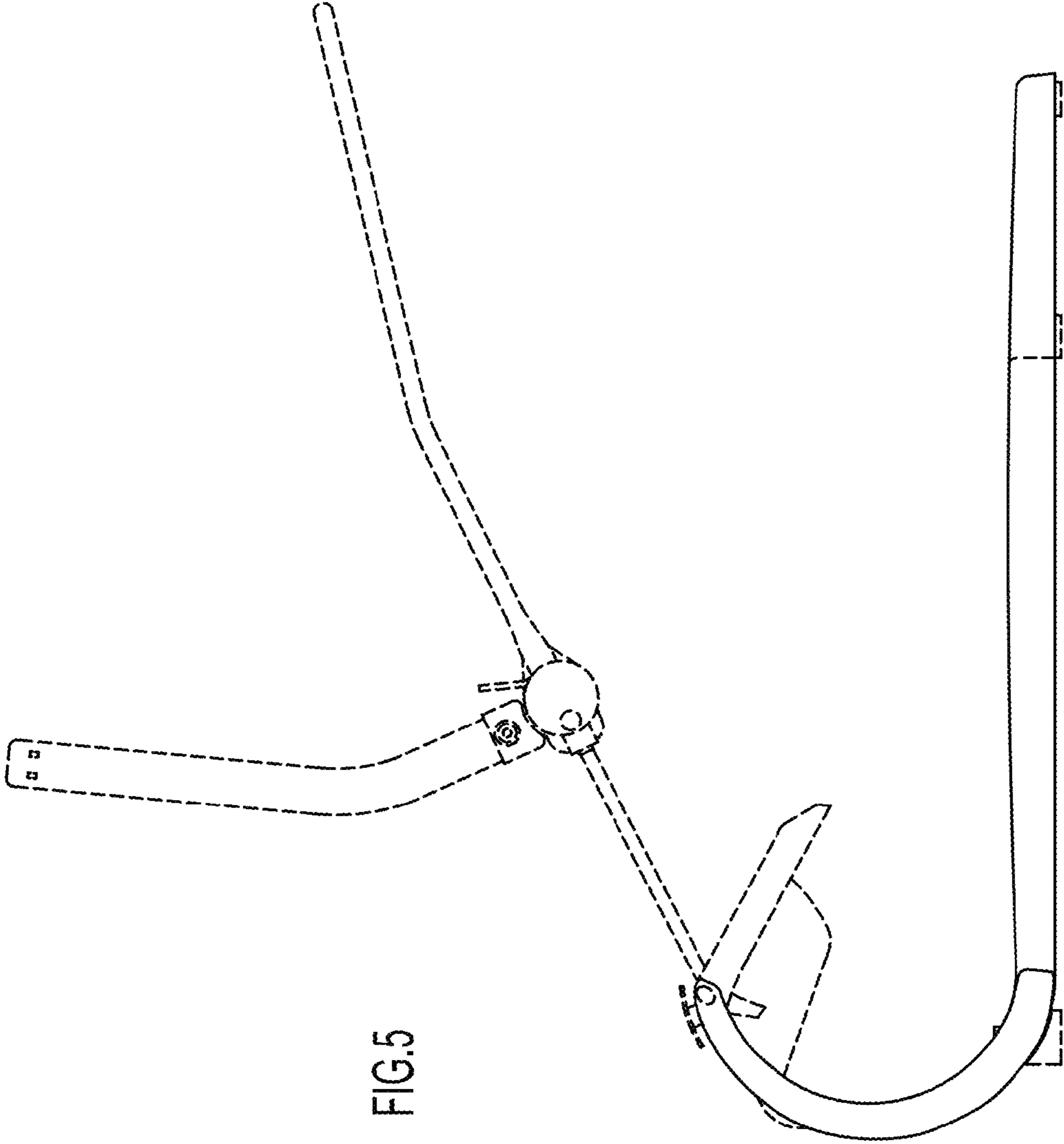


FIG. 5

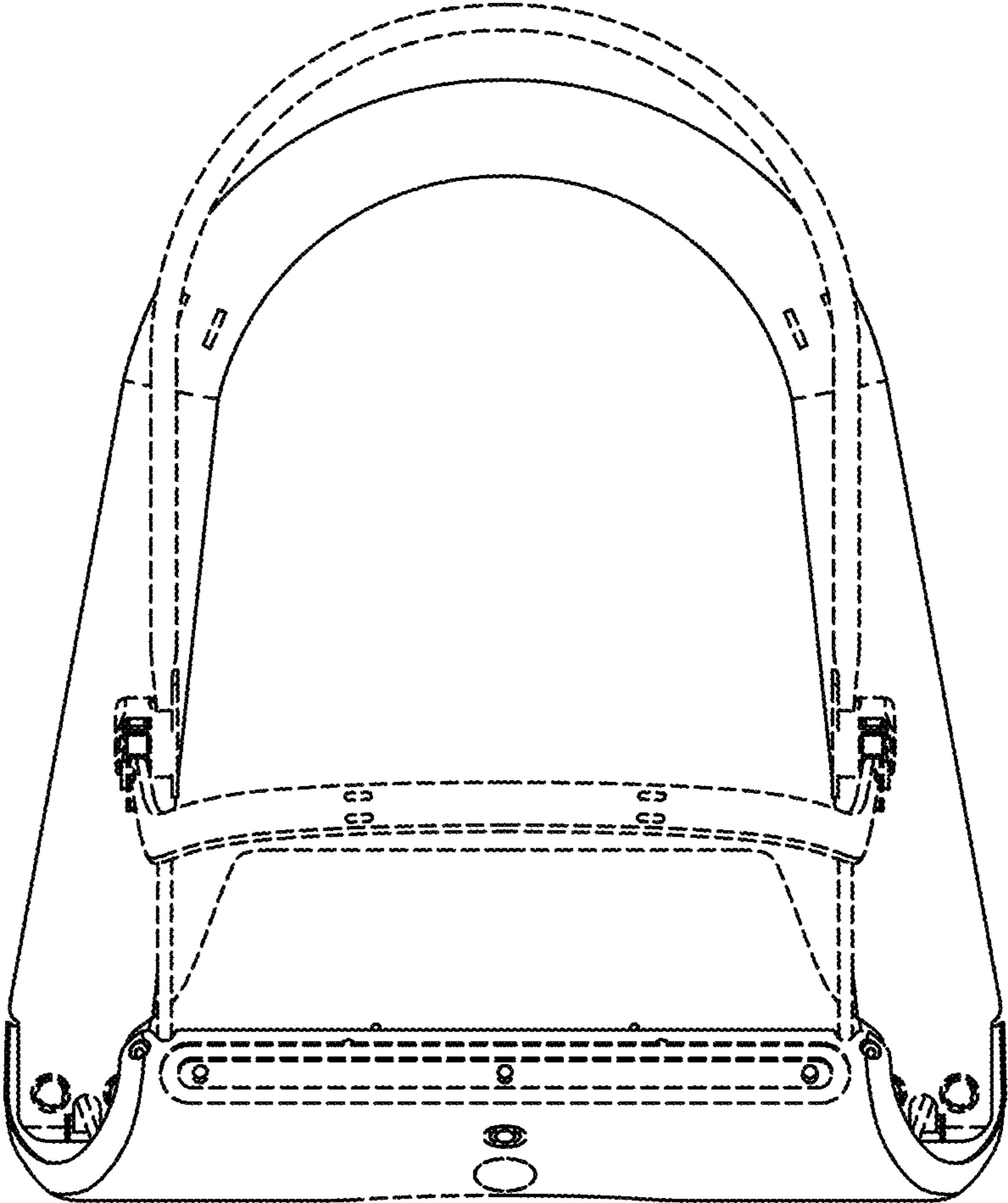


FIG.6



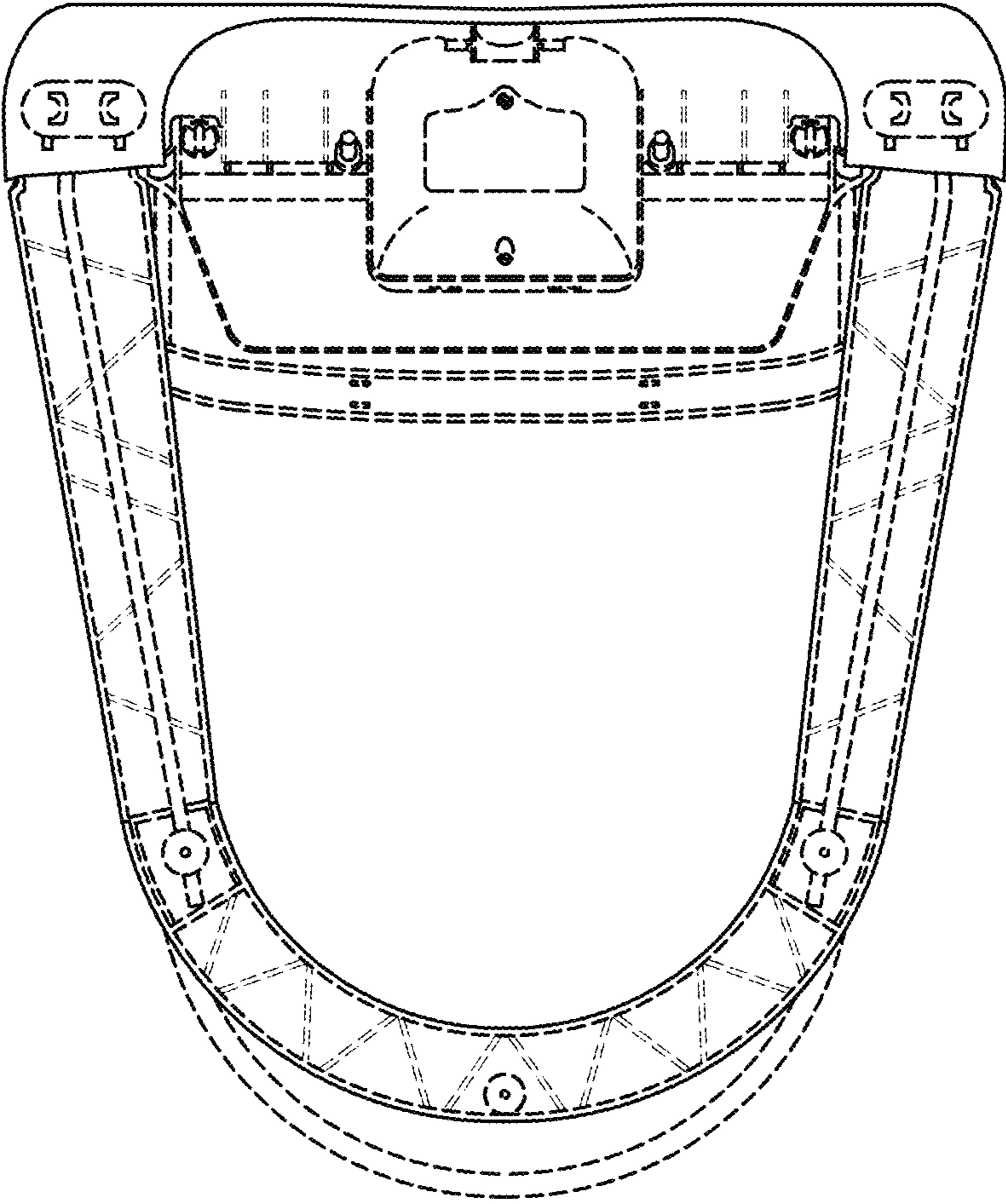


FIG.7

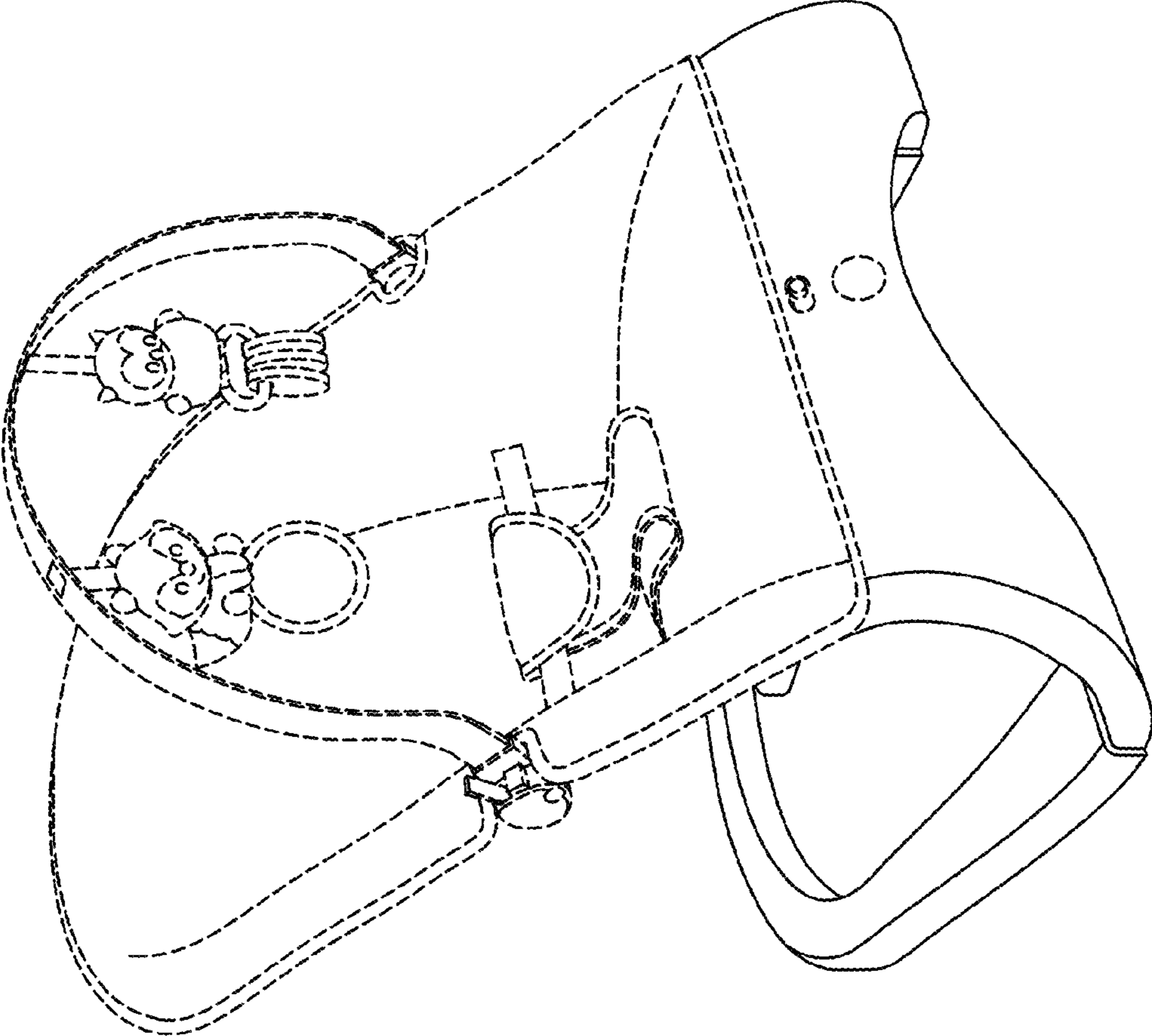


FIG.8