



US00D728288S

(12) **United States Design Patent**
Berkowitz

(10) **Patent No.:** **US D728,288 S**
(45) **Date of Patent:** **** May 5, 2015**

- (54) **PORTABLE TABLE**
- (71) Applicant: **Daniel Berkowitz**, Devon, PA (US)
- (72) Inventor: **Daniel Berkowitz**, Devon, PA (US)
- (**) Term: **14 Years**
- (21) Appl. No.: **29/449,735**
- (22) Filed: **Mar. 15, 2013**
- (51) **LOC (10) Cl.** **06-06**
- (52) **U.S. Cl.**
USPC **D6/707.2**
- (58) **Field of Classification Search**
USPC D6/692, 692.3, 692.4, 692.6, 691.6,
D6/707, 707.2; 108/50.11, 25, 153.1, 156,
108/157.1, 161; 248/188, 188.1, 188.8;
D21/397, 522
See application file for complete search history.

6,662,732	B2	12/2003	Birsel et al.
D498,088	S	11/2004	Tsang
6,889,618	B1	5/2005	Gromack
6,929,230	B2	8/2005	Tsai
6,997,111	B2	2/2006	Giegerich
7,131,364	B2	11/2006	Brazell
D557,524	S *	12/2007	Simpson D6/487
7,765,941	B2	8/2010	Chen
8,327,774	B1	12/2012	Rivera
8,424,470	B2	4/2013	Volin
2003/0094123	A1	5/2003	Ulmer
2004/0051009	A1	3/2004	Chen
2004/0084581	A1	5/2004	Chang
2005/0199162	A1	9/2005	Hendricks et al.
2008/0178776	A1	7/2008	Arias et al.
2009/0241811	A1	10/2009	Markegard et al.

* cited by examiner

Primary Examiner — Janice Seeger

(74) *Attorney, Agent, or Firm* — John F. A. Earley, III; Frank J. Bonini, Jr.; Harding, Earley, Follmer & Frailey, P.C.

(56) **References Cited**

U.S. PATENT DOCUMENTS

D31,157	S *	7/1899	Stover	D6/511
D165,829	S *	2/1952	Dorr	D6/486
4,122,780	A	10/1978	Brickman		
D295,243	S *	4/1988	Oto	D6/484
D351,300	S *	10/1994	Cox	D6/487
5,421,273	A	6/1995	Lin		
5,600,911	A *	2/1997	Lucci	40/611.1
5,865,127	A	2/1999	Carter		
5,884,566	A	3/1999	Chen		
6,073,894	A	6/2000	Chen		
6,158,361	A	12/2000	Zheng et al.		
6,199,489	B1	3/2001	Tsai		
6,234,089	B1	5/2001	Zheng et al.		
6,283,045	B1	9/2001	Izumi		
6,321,662	B1 *	11/2001	Fraise	108/25
6,439,133	B1	8/2002	Jaramillo		
6,505,565	B1	1/2003	Byung et al.		

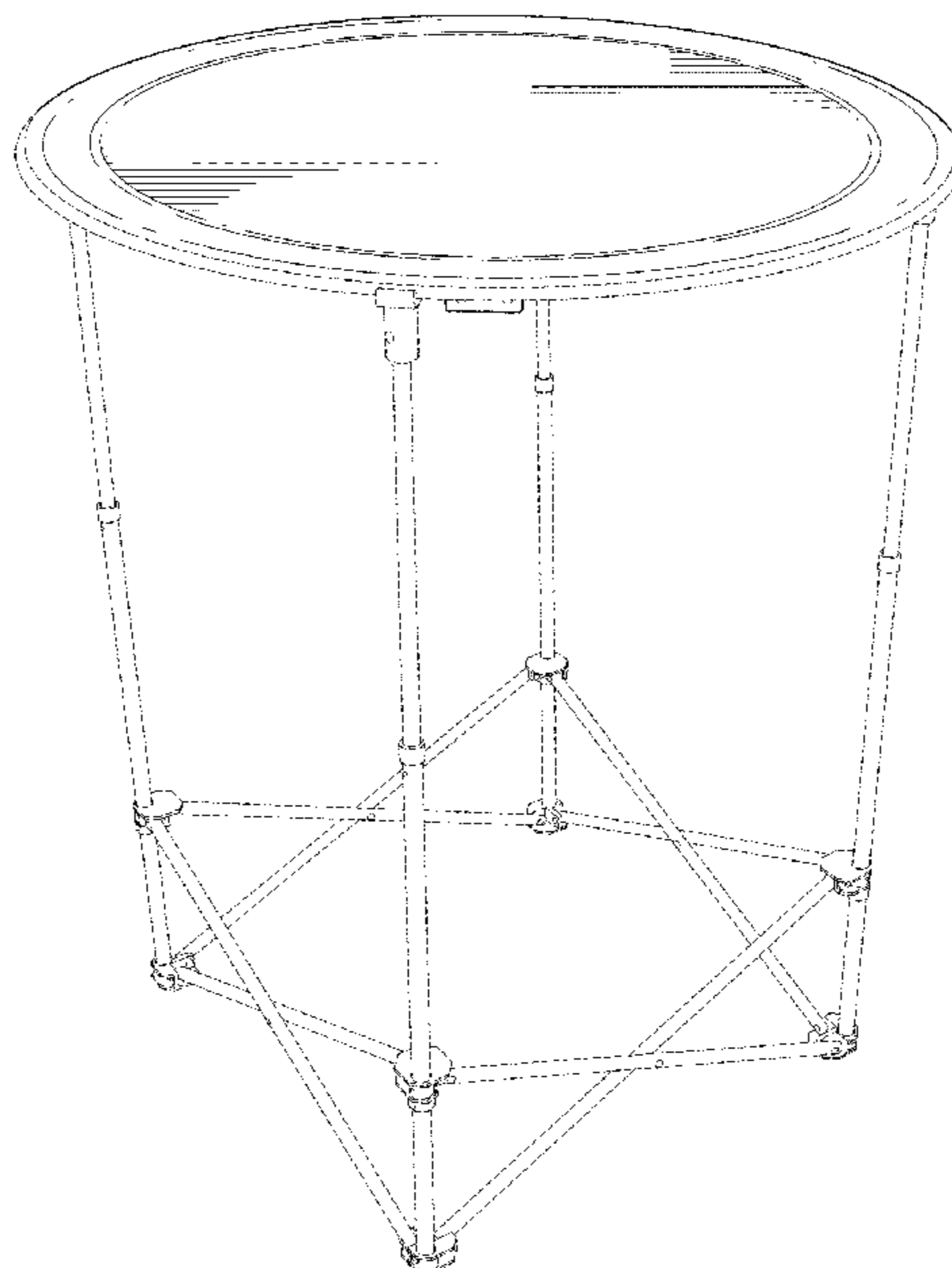
(57) **CLAIM**

The ornamental design for a portable table, as shown and described.

DESCRIPTION

FIG. 1 is a perspective view of a portable table according to my new design, shown with the frame in broken line representation and forming no part of the design;
 FIG. 2 is a front elevation view thereof, the rear elevation view thereof being the same as the front;
 FIG. 3 is a right side elevation view thereof, the left side elevation view thereof being the same as the right;
 FIG. 4 is a top plan view thereof; and,
 FIG. 5 is a bottom plan view thereof.
 The broken lines in FIGS. 1-5 are for illustrative purposes and form no part of the claimed invention.

1 Claim, 5 Drawing Sheets



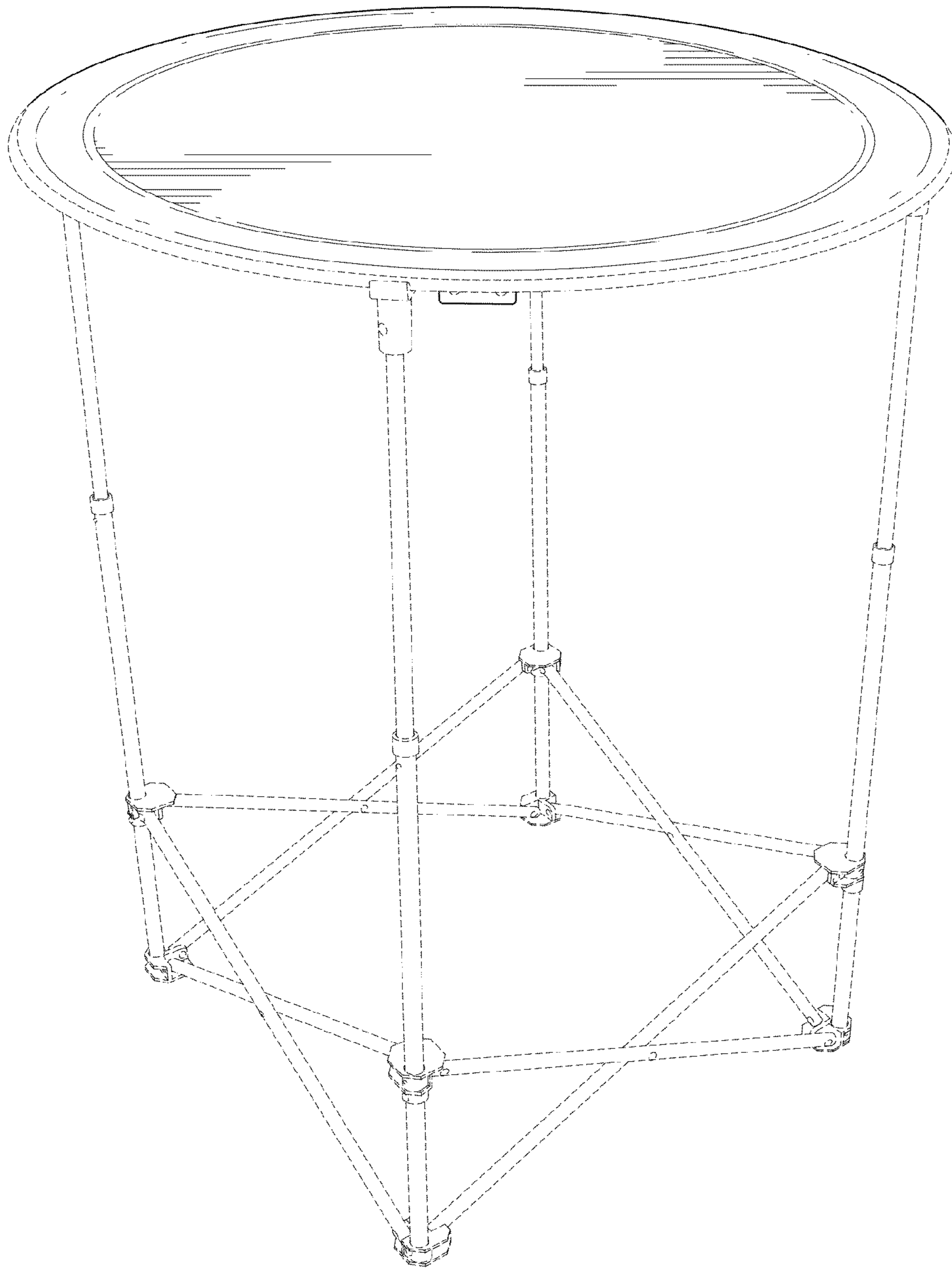


FIG. 1

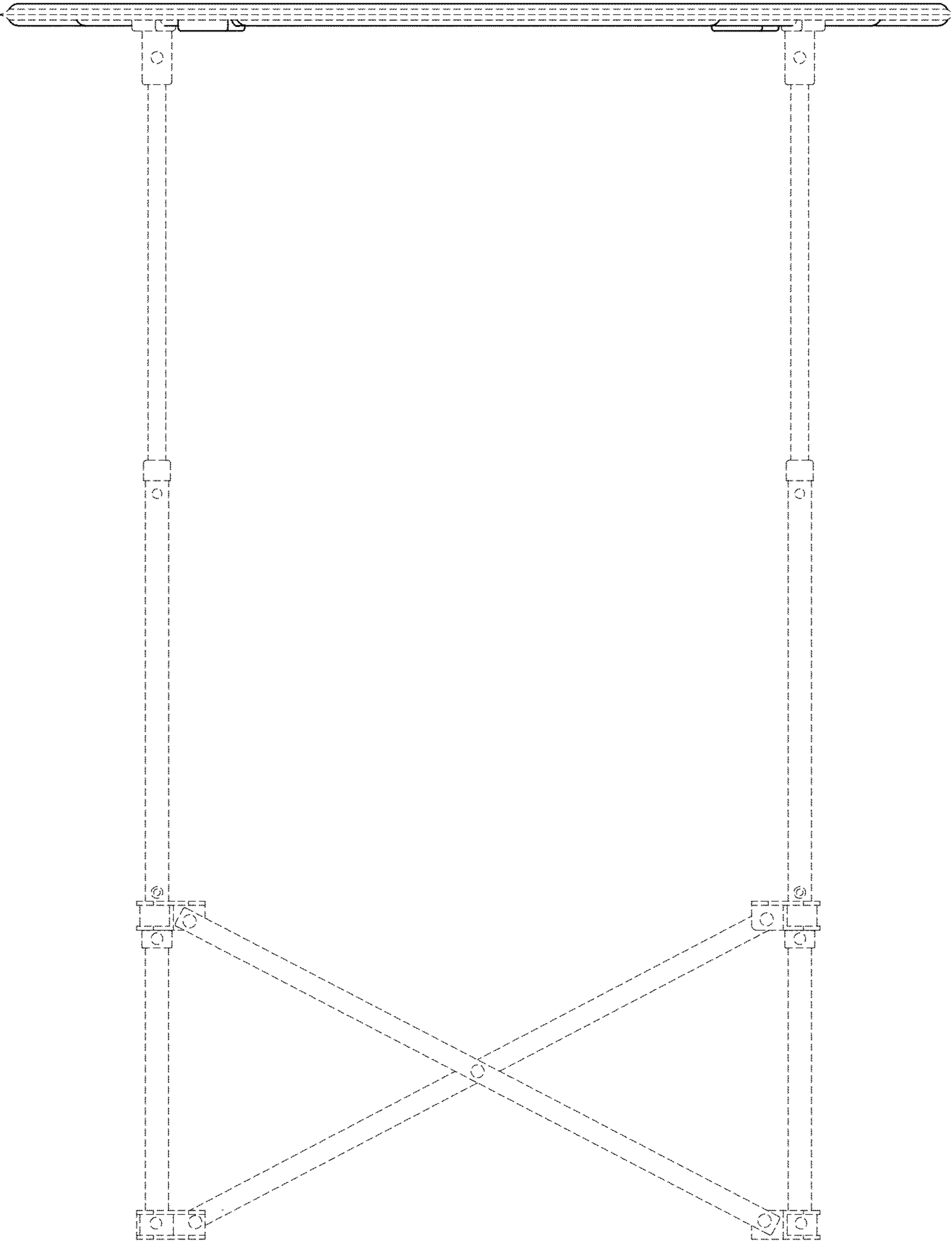


FIG. 2

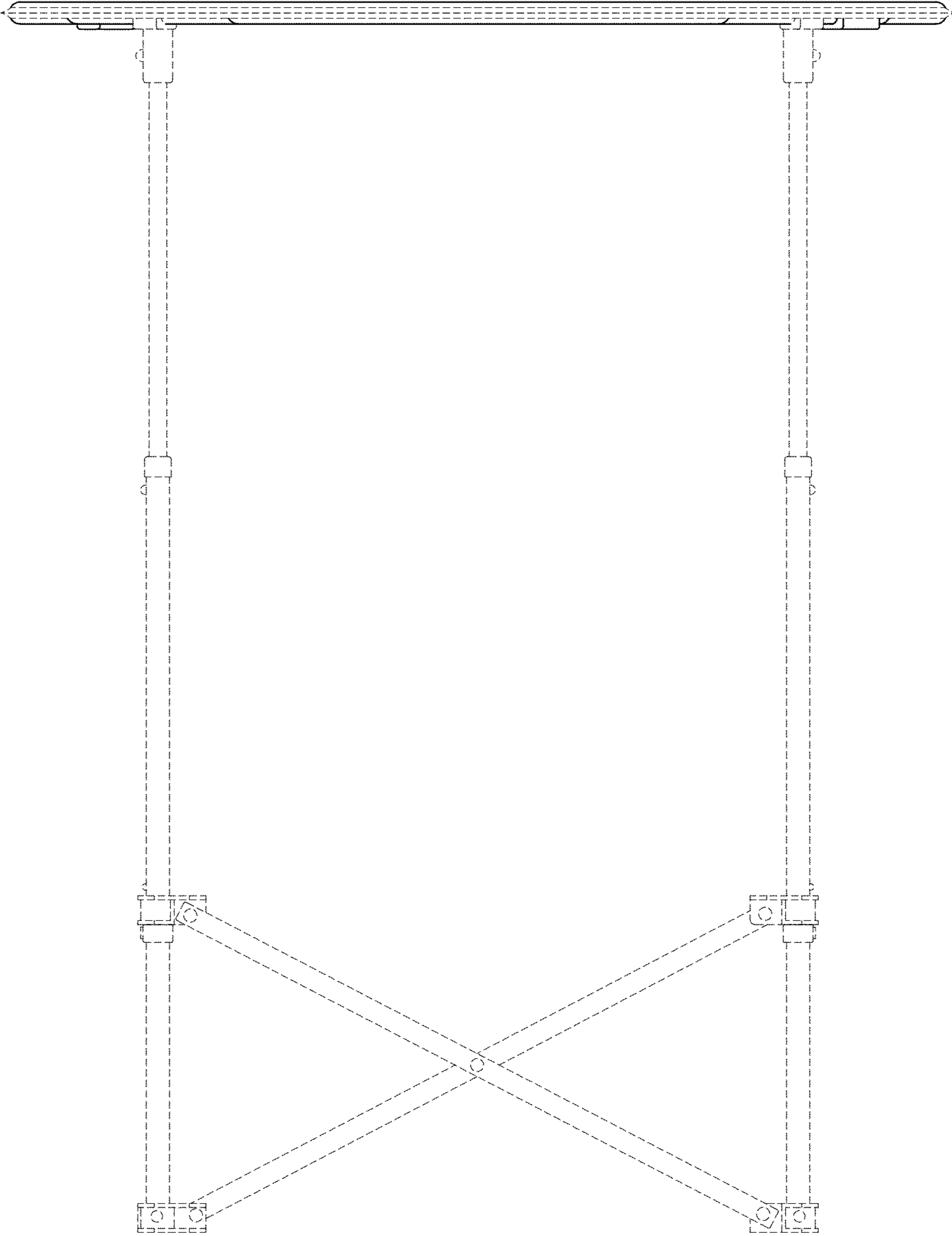


FIG.3

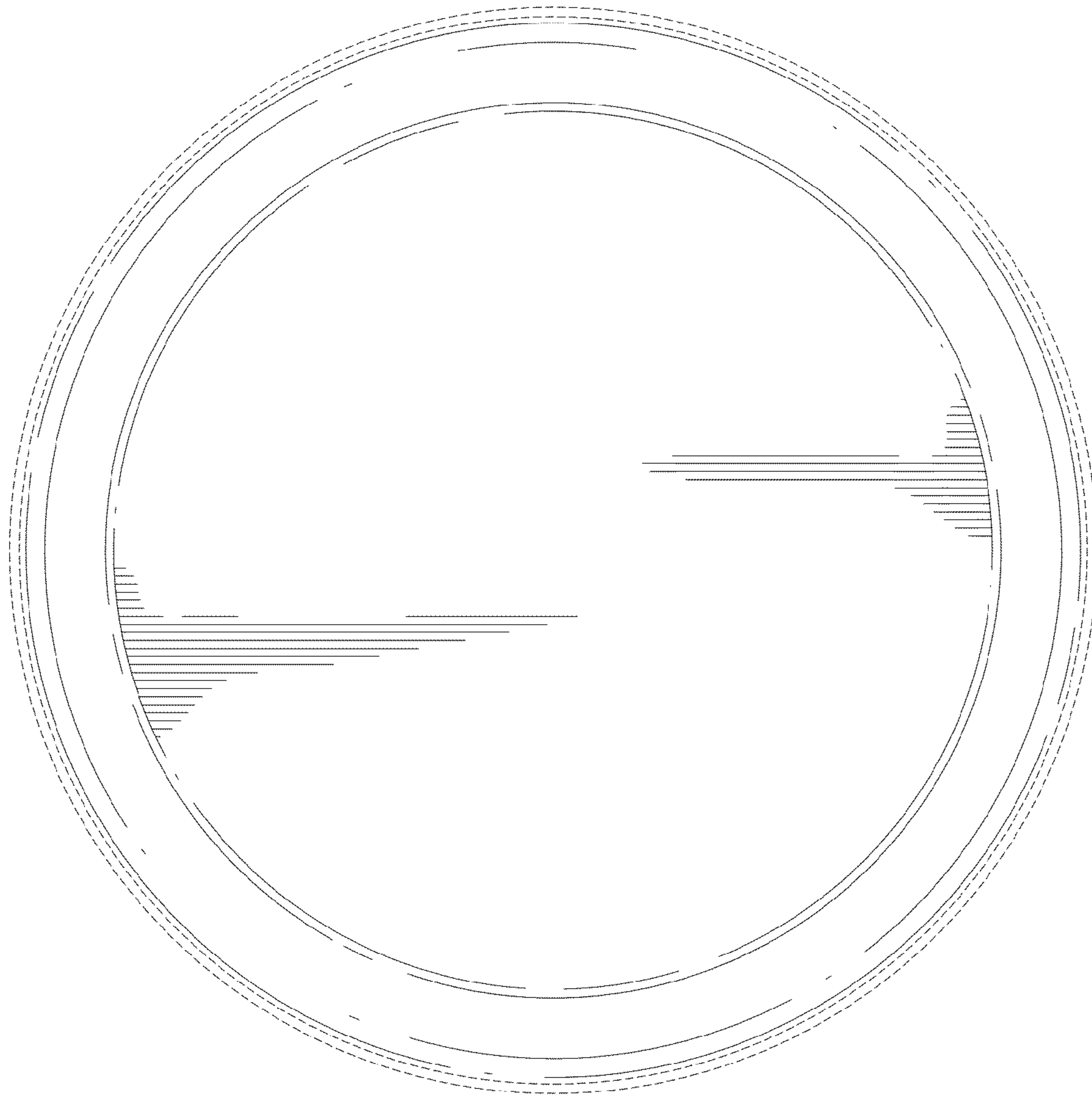


FIG. 4

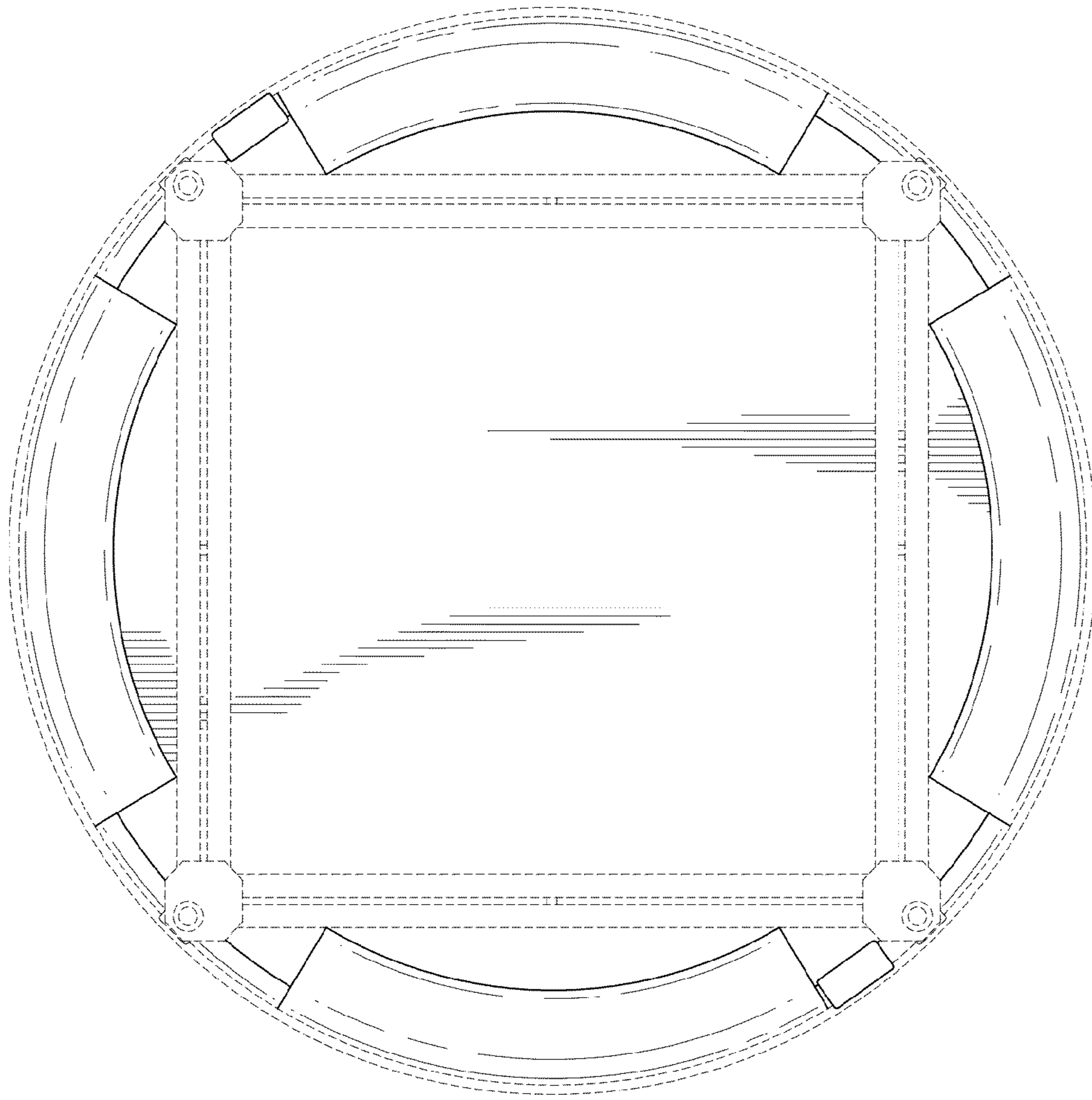


FIG. 5