



US00D728286S

(12) **United States Design Patent**
Leinberger

(10) **Patent No.:** **US D728,286 S**

(45) **Date of Patent:** **** May 5, 2015**

(54) **REMOVABLE TRAY**

FOREIGN PATENT DOCUMENTS

(71) Applicant: **Constance Leinberger**, Hartford, WI
(US)

AU 2002100663 A4 11/2002
JP 2006000590 A 1/2006

(72) Inventor: **Constance Leinberger**, Hartford, WI
(US)

OTHER PUBLICATIONS

Invacare Swingaway Half Lap Tray, www.invacare.com, printed Feb. 27, 2014.

(**) Term: **14 Years**

(Continued)

(21) Appl. No.: **29/483,474**

Primary Examiner — Sandra Snapp

(22) Filed: **Feb. 28, 2014**

(74) *Attorney, Agent, or Firm* — Ryan Kromholz & Manion, S.C.

(51) **LOC (10) Cl.** **06-01**

(52) **U.S. Cl.**

USPC **D6/705**

(58) **Field of Classification Search**

CPC A47B 39/00; A47B 39/02; A47B 31/06

USPC D6/702, 704, 705, 705.4, 406.3, 334,

D6/381; 297/160, 170, 174 R

See application file for complete search history.

(57) **CLAIM**

The ornamental design for a removable tray, as shown and described.

(56) **References Cited**

DESCRIPTION

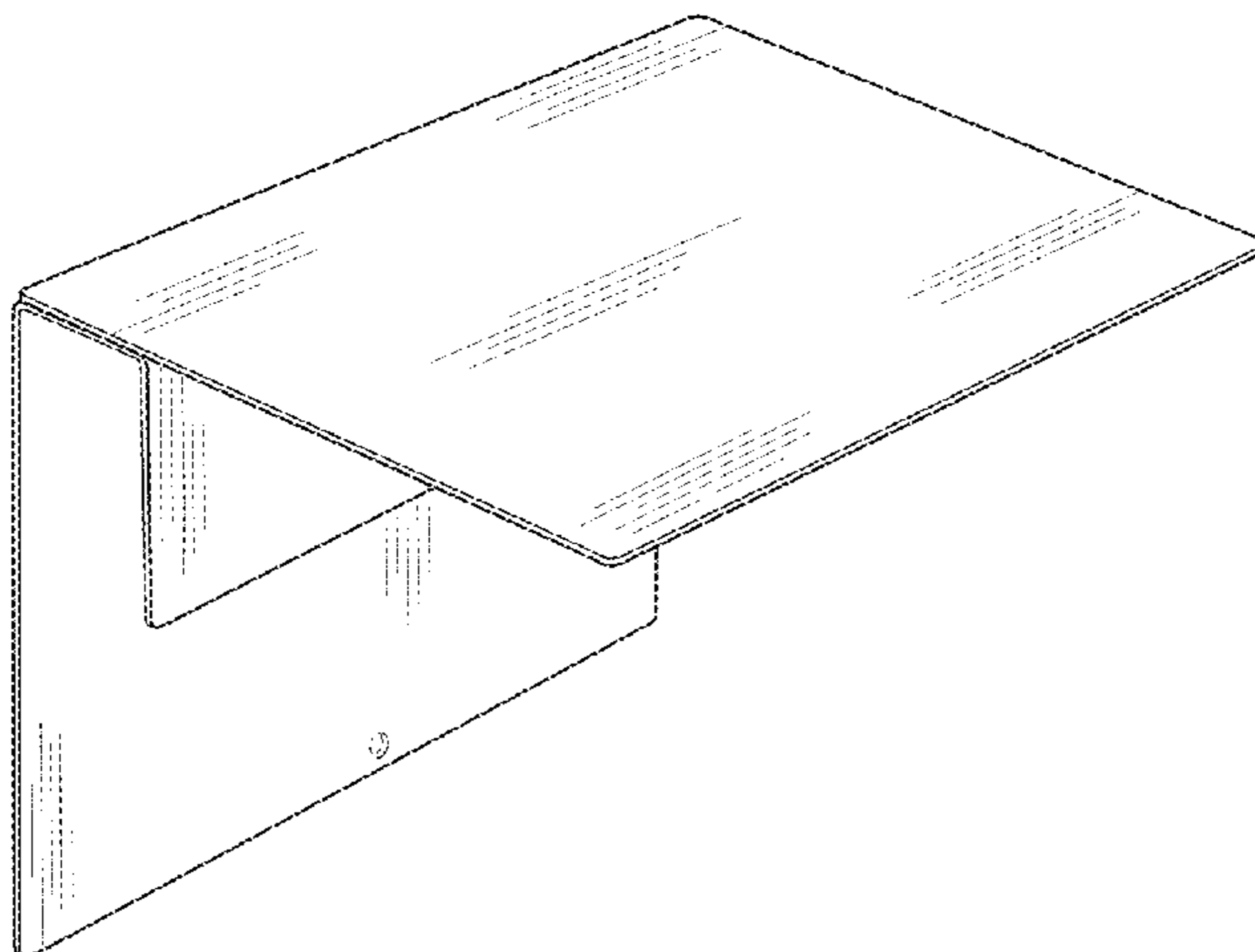
U.S. PATENT DOCUMENTS

2,501,580	A	3/1950	Reid	
2,669,495	A	2/1954	Foote	
2,686,701	A	8/1954	Manczur	
2,692,174	A	10/1954	Whitehead	
2,787,508	A *	4/1957	Math	297/163
2,797,973	A	7/1957	Culpepper	
2,867,401	A *	1/1959	Sheahan	248/231.41
3,185,113	A *	5/1965	Nathan et al.	108/47
3,239,272	A	3/1966	Wilkins	
3,389,408	A *	6/1968	Pearson	4/578.1
3,690,724	A *	9/1972	Douglas et al.	297/188.18
3,987,994	A	10/1976	Frankford	
4,373,756	A	2/1983	Purdy et al.	
4,575,149	A *	3/1986	Forestal et al.	297/145
4,659,099	A	4/1987	Malone	
4,779,884	A	10/1988	Minati	
4,867,506	A	9/1989	Chavez	
4,942,827	A *	7/1990	Norgaard	108/44
5,026,114	A	6/1991	Miller	

(Continued)

FIG. 1 is a perspective view of a first embodiment of the tray; FIG. 2 is a front elevation view; FIG. 3 is a rear elevation view; FIG. 4 is a top plan view thereof; FIG. 5 is a bottom plan view thereof; FIG. 6 is a right side elevation view; FIG. 7 is a left side elevation; FIG. 8 is a perspective view of a second embodiment of the tray; FIG. 9 is a front elevation view thereof; FIG. 10 is a rear elevation view; FIG. 11 is a top plan view thereof; FIG. 12 is a bottom plan view thereof; FIG. 13 is a right side elevation view; and, FIG. 14 is a left side elevation. The opening shown in broken lines in FIGS. 1, 6, 7, 8, 13, and 14 forms no part of the claimed design.

1 Claim, 6 Drawing Sheets



(56)

References Cited

U.S. PATENT DOCUMENTS

5,176,274	A *	1/1993	Jenkins	220/17.1
5,299,824	A	4/1994	Roberts et al.		
5,333,929	A	8/1994	Slagerman		
D356,532	S	3/1995	Butzman		
D359,258	S *	6/1995	Judycki	D12/133
D368,081	S *	3/1996	Comley	D14/458
5,503,297	A *	4/1996	Frankel	220/751
5,588,663	A	12/1996	Rundle et al.		
D392,960	S *	3/1998	Giorgio	D14/458
5,842,745	A	12/1998	Kelly et al.		
5,909,922	A *	6/1999	Dugas	297/188.18
6,935,683	B1 *	8/2005	Brown	297/188.2
7,131,688	B2	11/2006	Stenson		
7,243,991	B2 *	7/2007	Ojeda	297/188.14
7,547,027	B2	6/2009	Bohn		
D655,954	S *	3/2012	Gorovitz	D6/501
8,251,443	B1 *	8/2012	Hahn et al.	297/188.18
8,474,384	B2	7/2013	Sundarrao		
2006/0244238	A1	11/2006	Lewis		

OTHER PUBLICATIONS

Jobar International Swivel Wheelchair Tray, www.jobar.com, printed Sep. 3, 2013.

ezEnabler Tray System, www.livewellmedical.com, printed Feb. 27, 2014.

Therafin Molded Half Tray, www.therafin.com, printed Feb. 27, 2014.

Trabasack Lap Desk and Travel Bag, www.trabasack.com, printed Feb. 27, 2014.

Wheelchair Trays, www.mobility-aids.com, printed Feb. 27, 2014.

Emmer, G., Soldatenko, G.; "Custom wheelchairs: The trend from functionality to individuality." Med Services Europe, www.e-bility.com, Mar. 2006.

Purdue University Research Park News. "Assistive wheelchair tray could help people with disabilities use iPads, other mobile devices more easily." Aug. 15, 2013.

The Future Perfect Company Blog. "Three cheers for Naidex's inaugural Style Awards." <http://blog.thefutureperfectcompany.com>, Apr. 11, 2011.

* cited by examiner

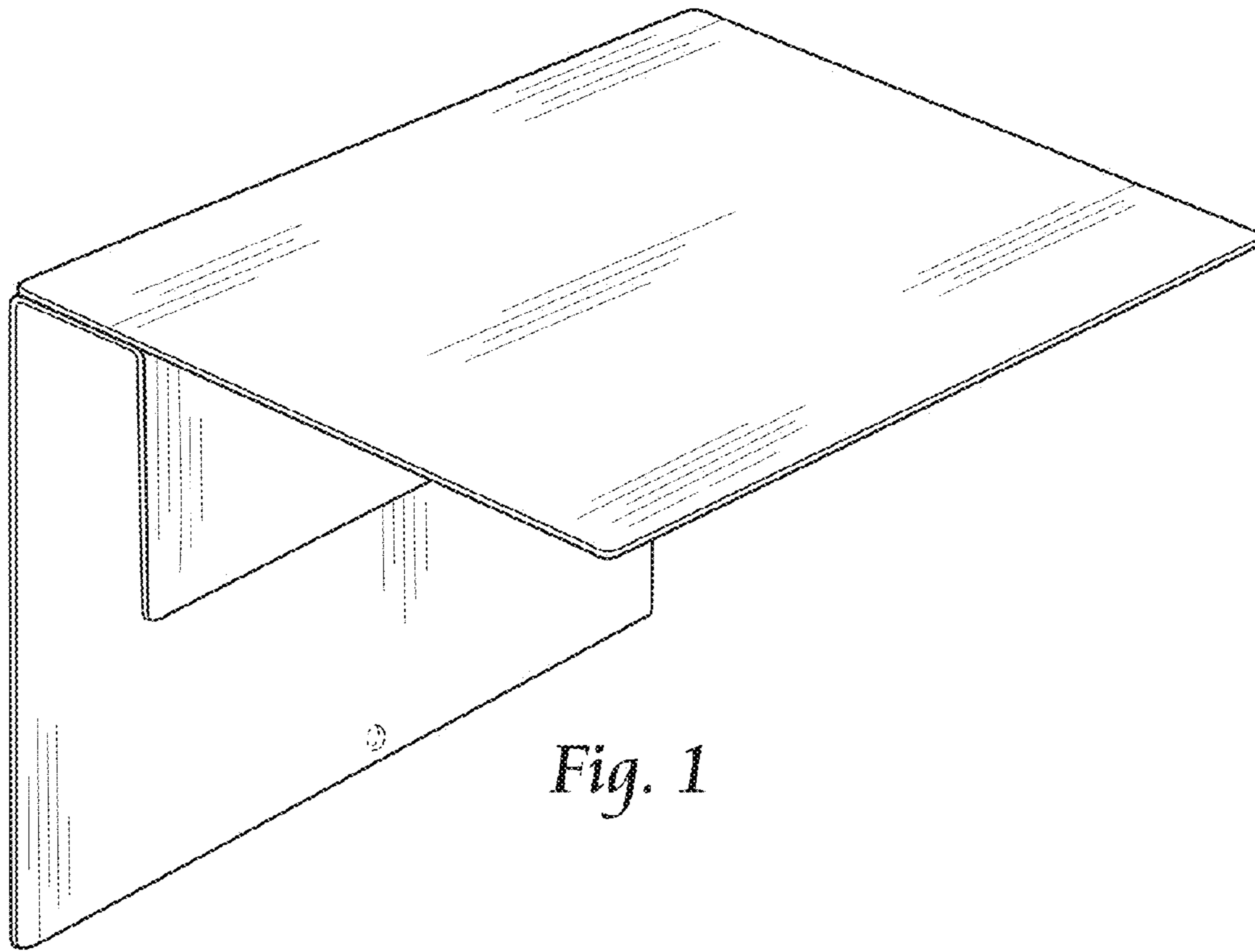


Fig. 1

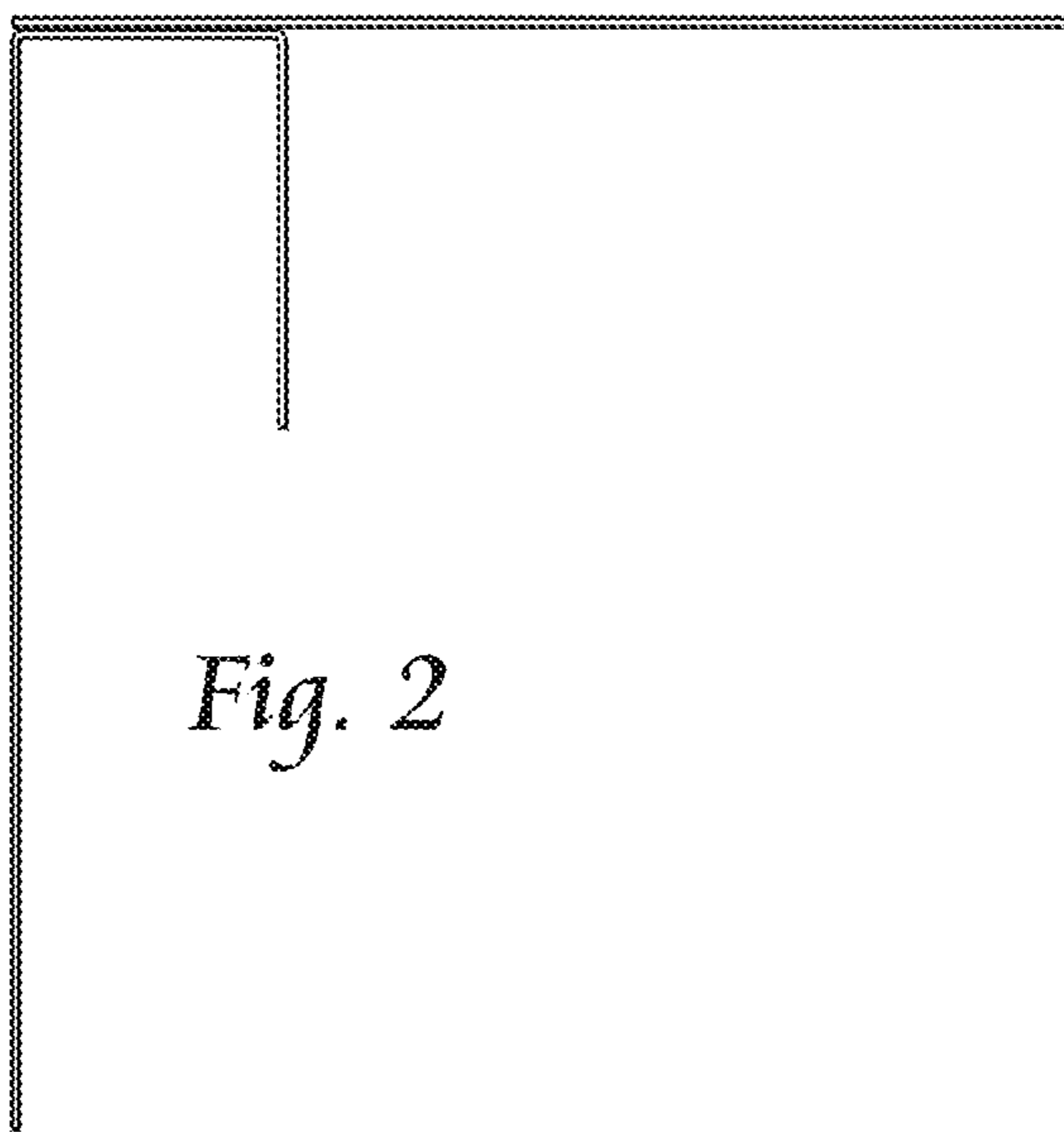
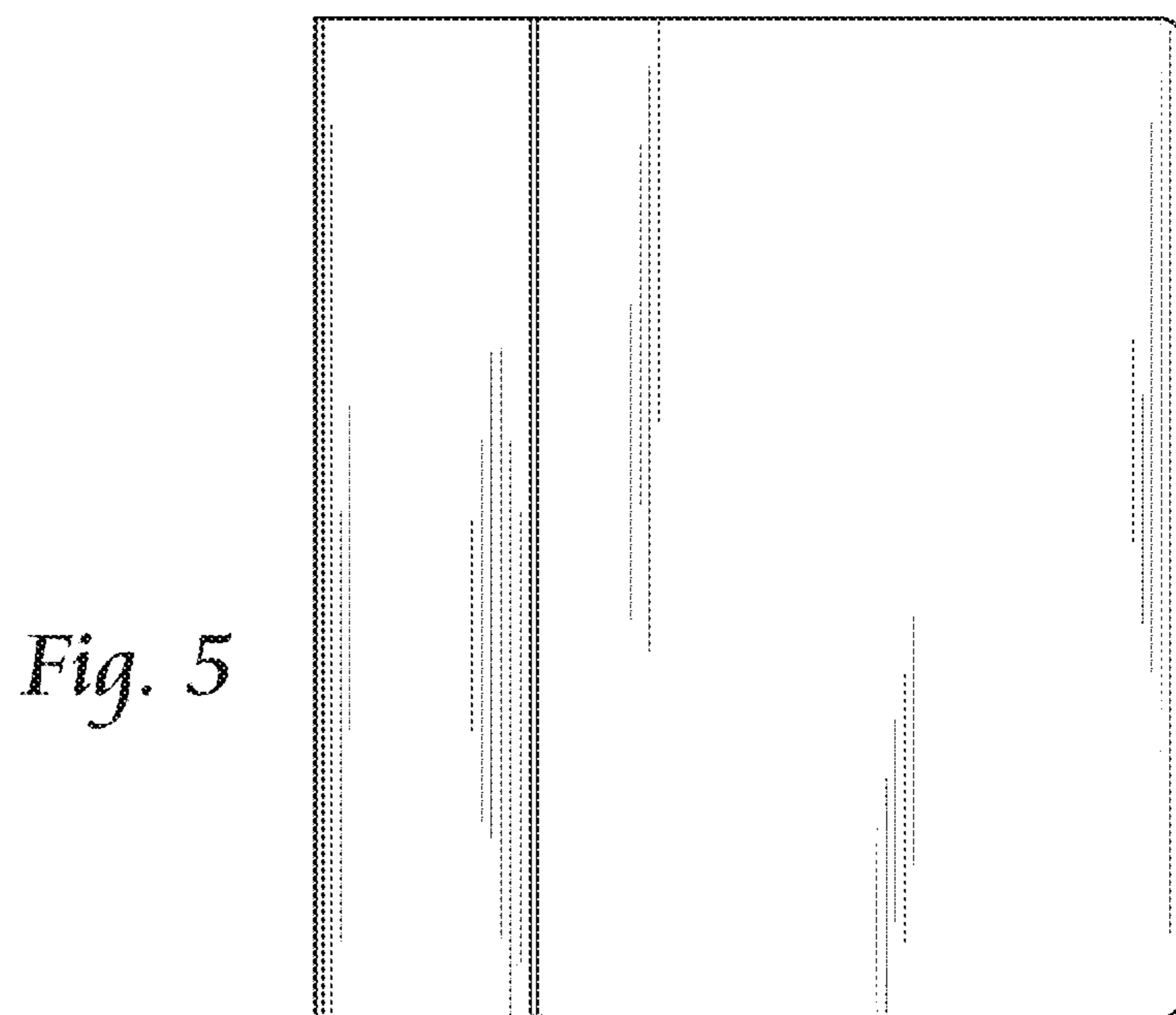
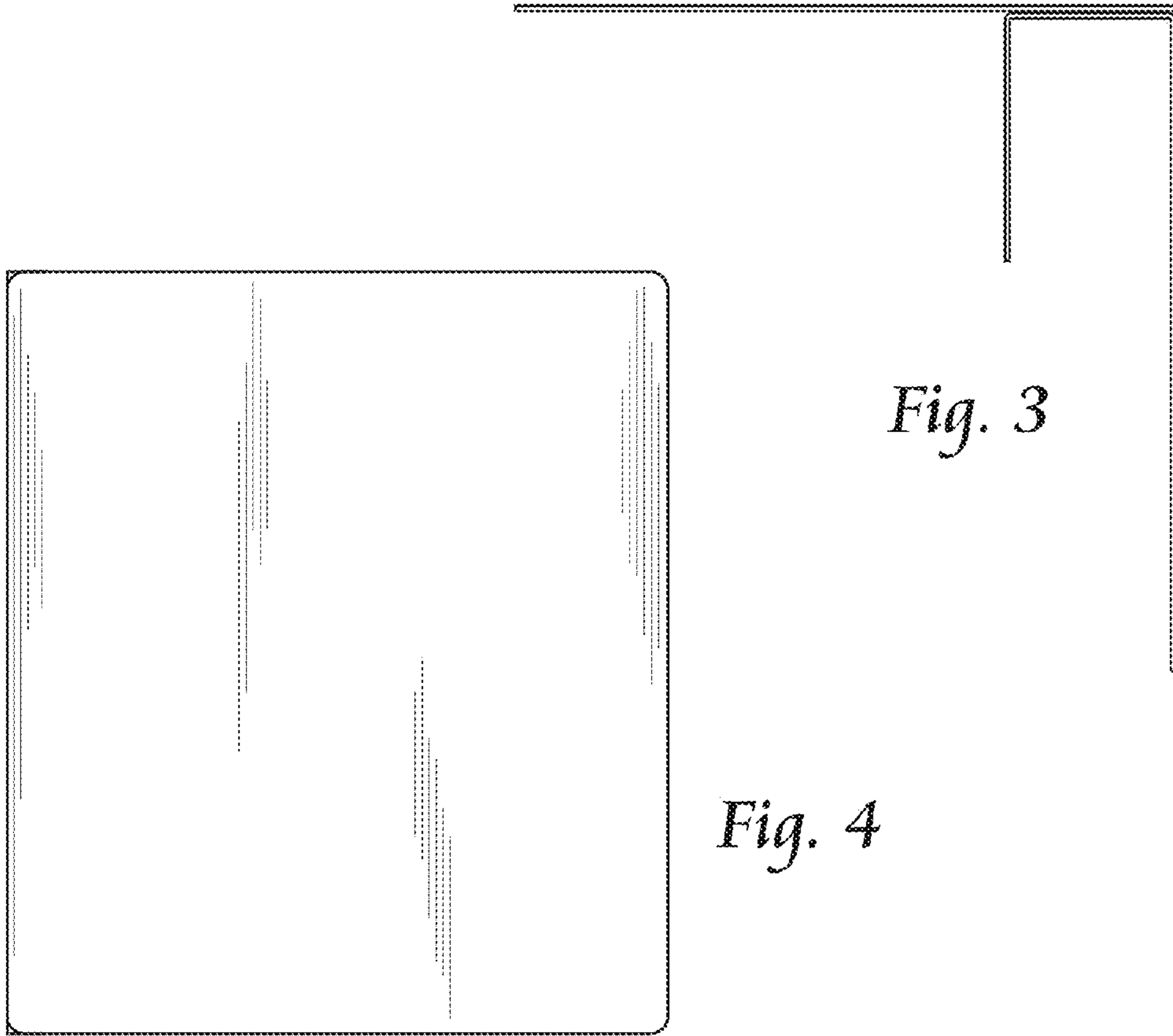


Fig. 2



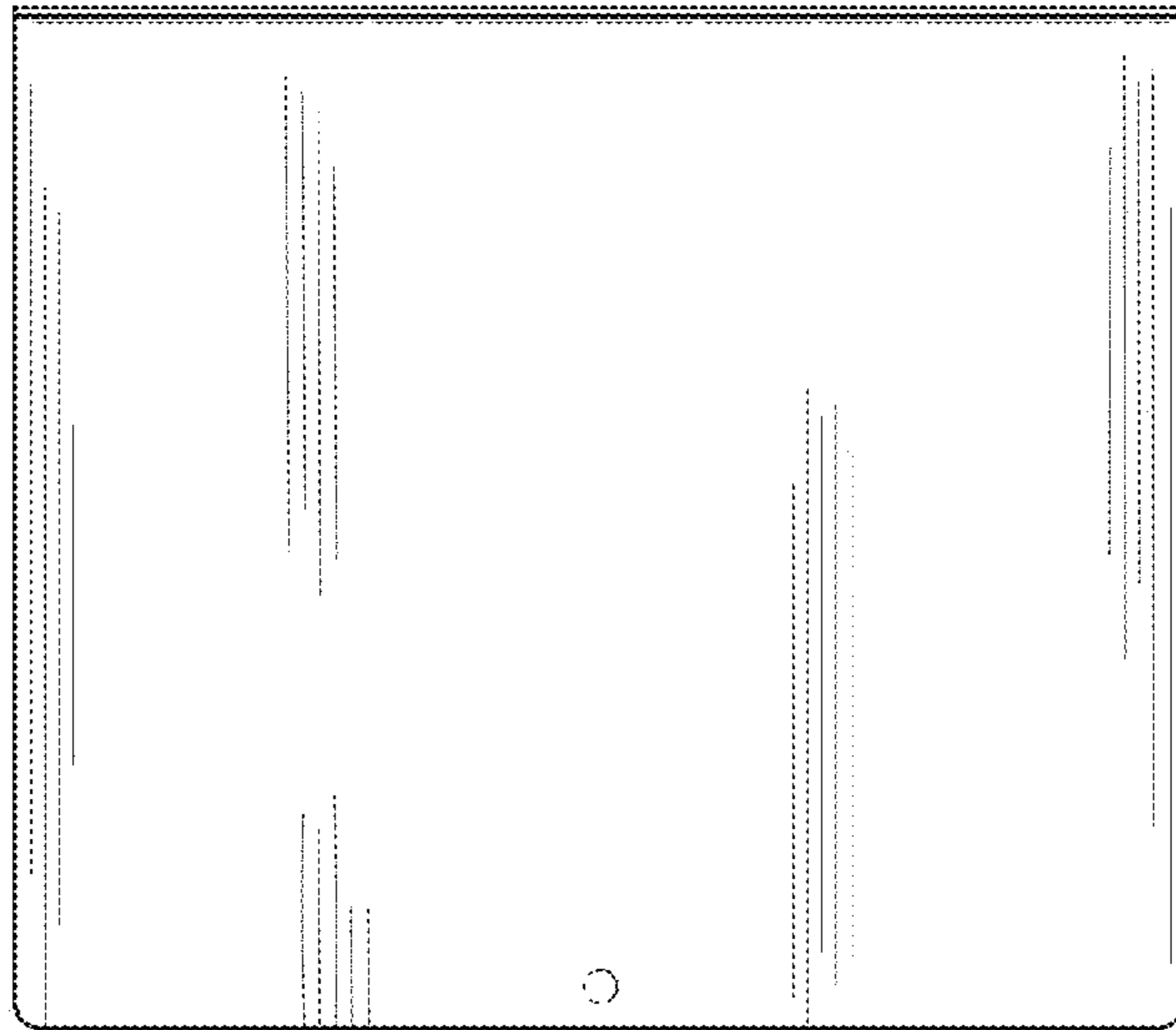


Fig. 6

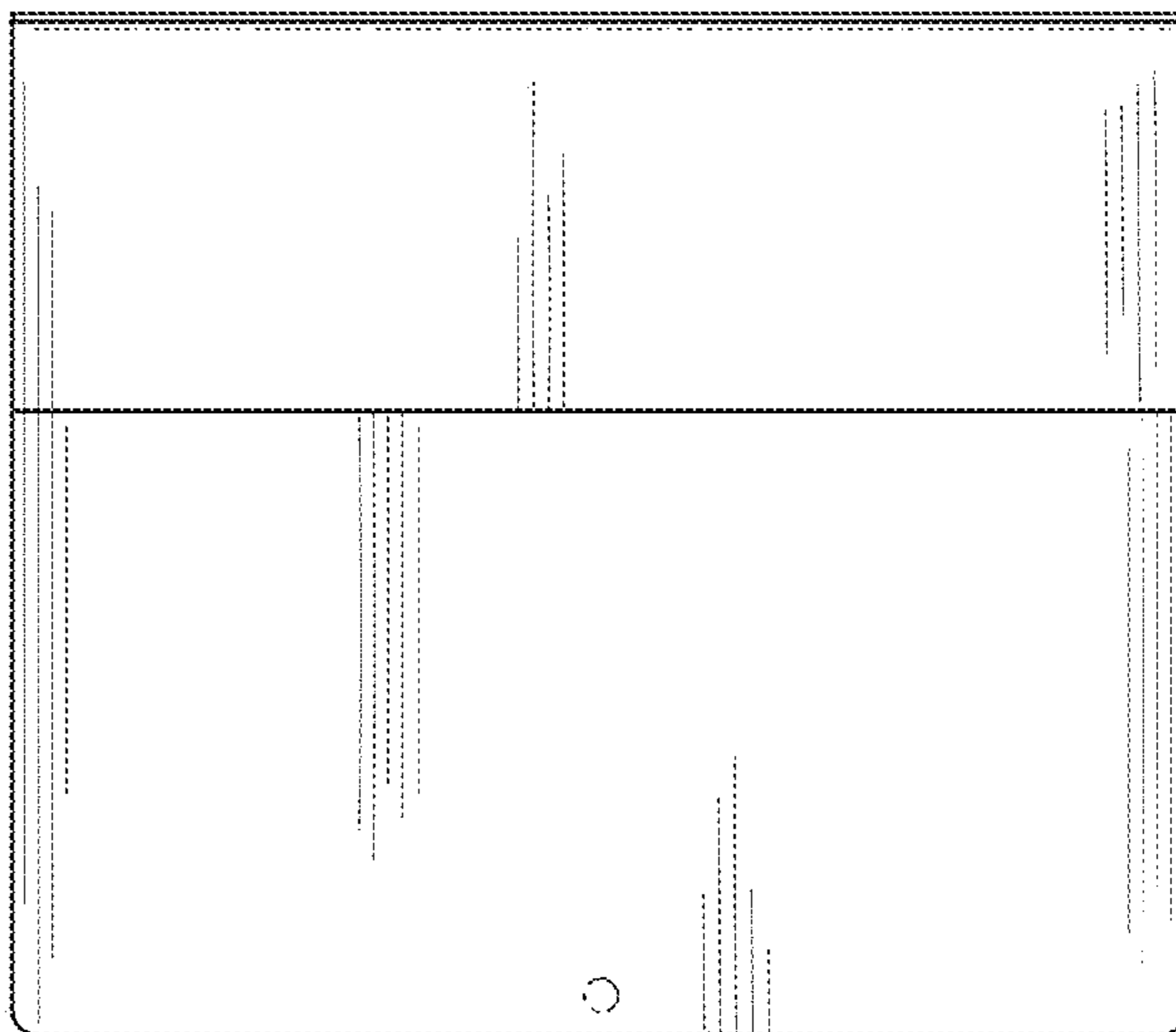


Fig. 7

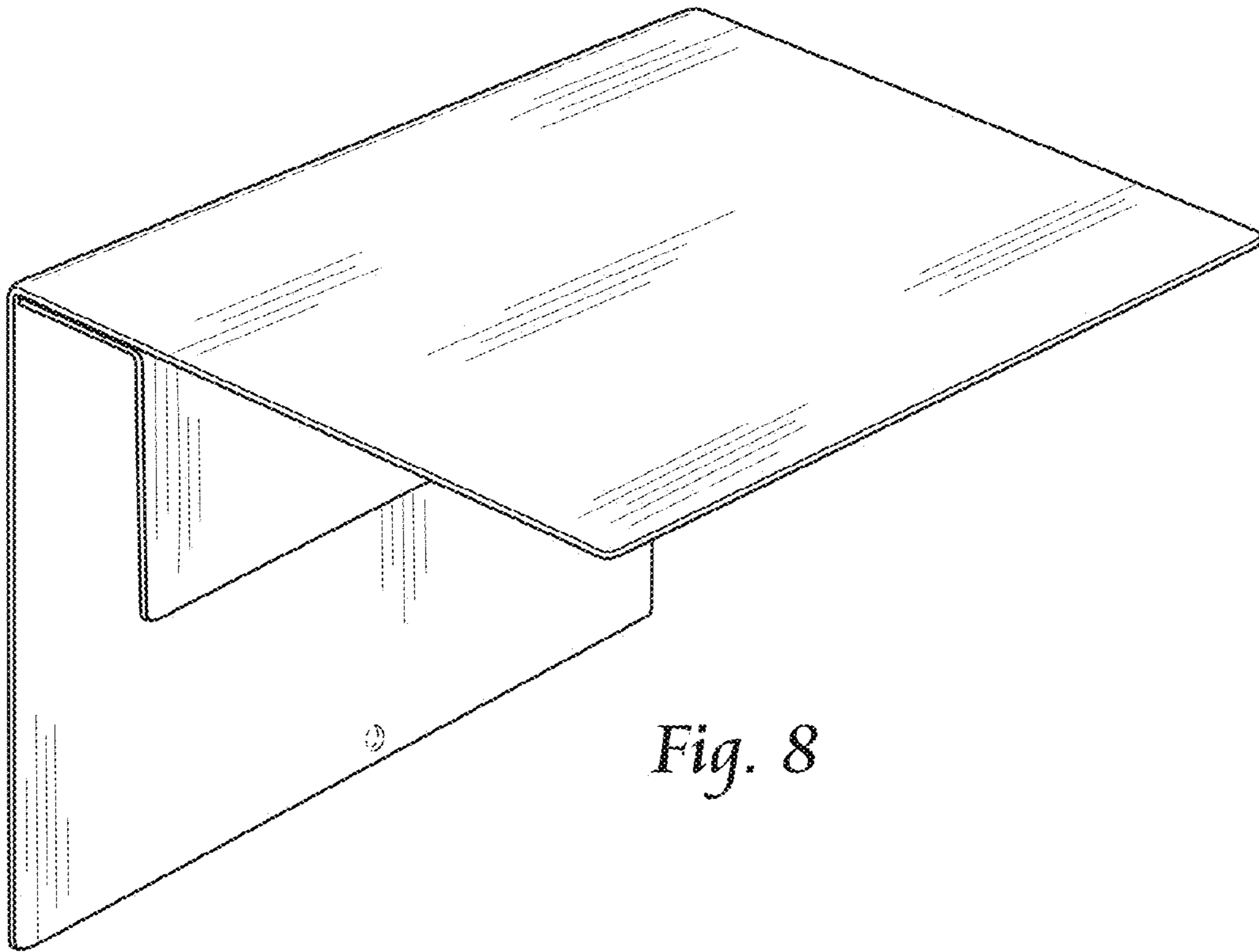


Fig. 8

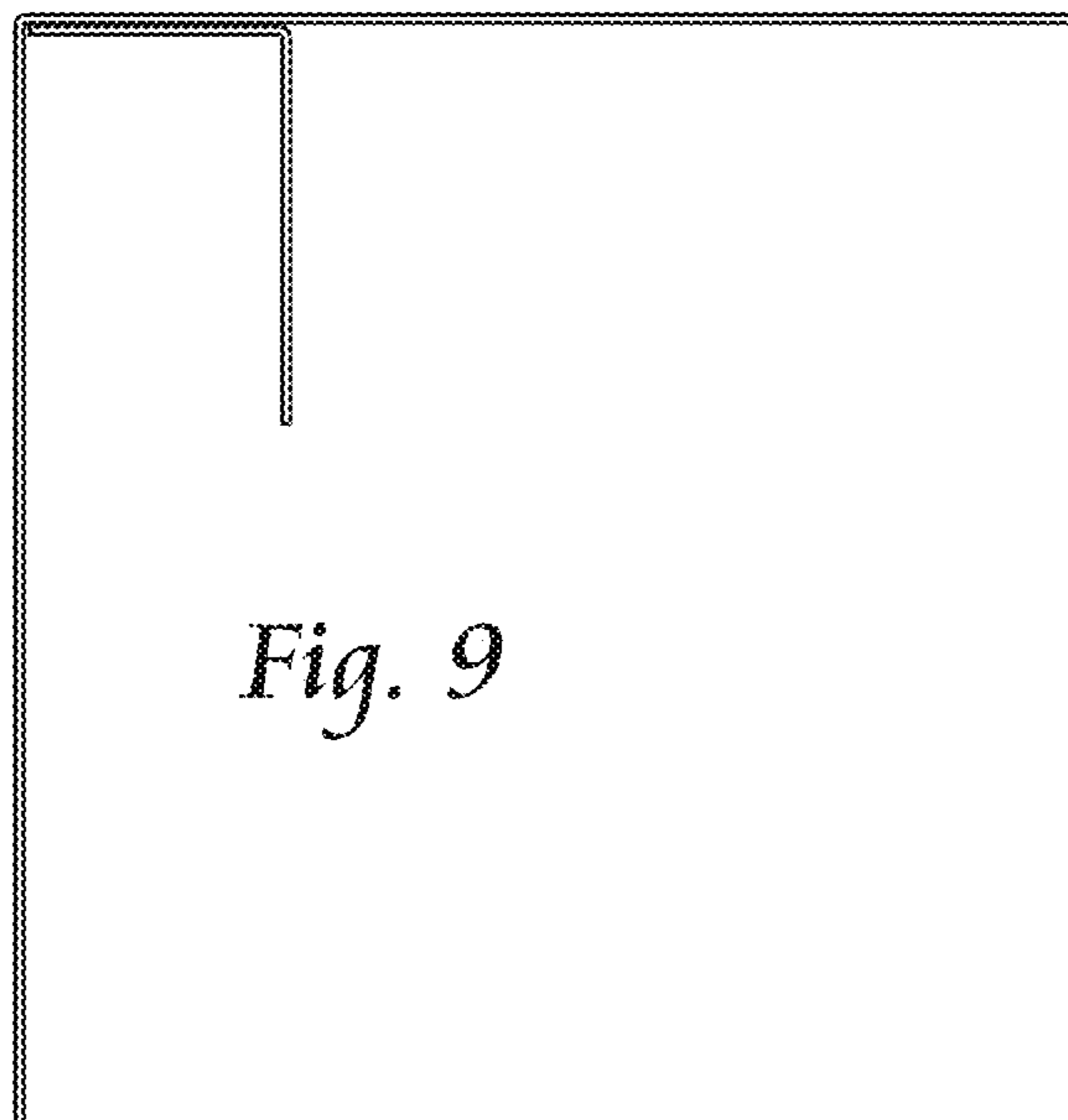
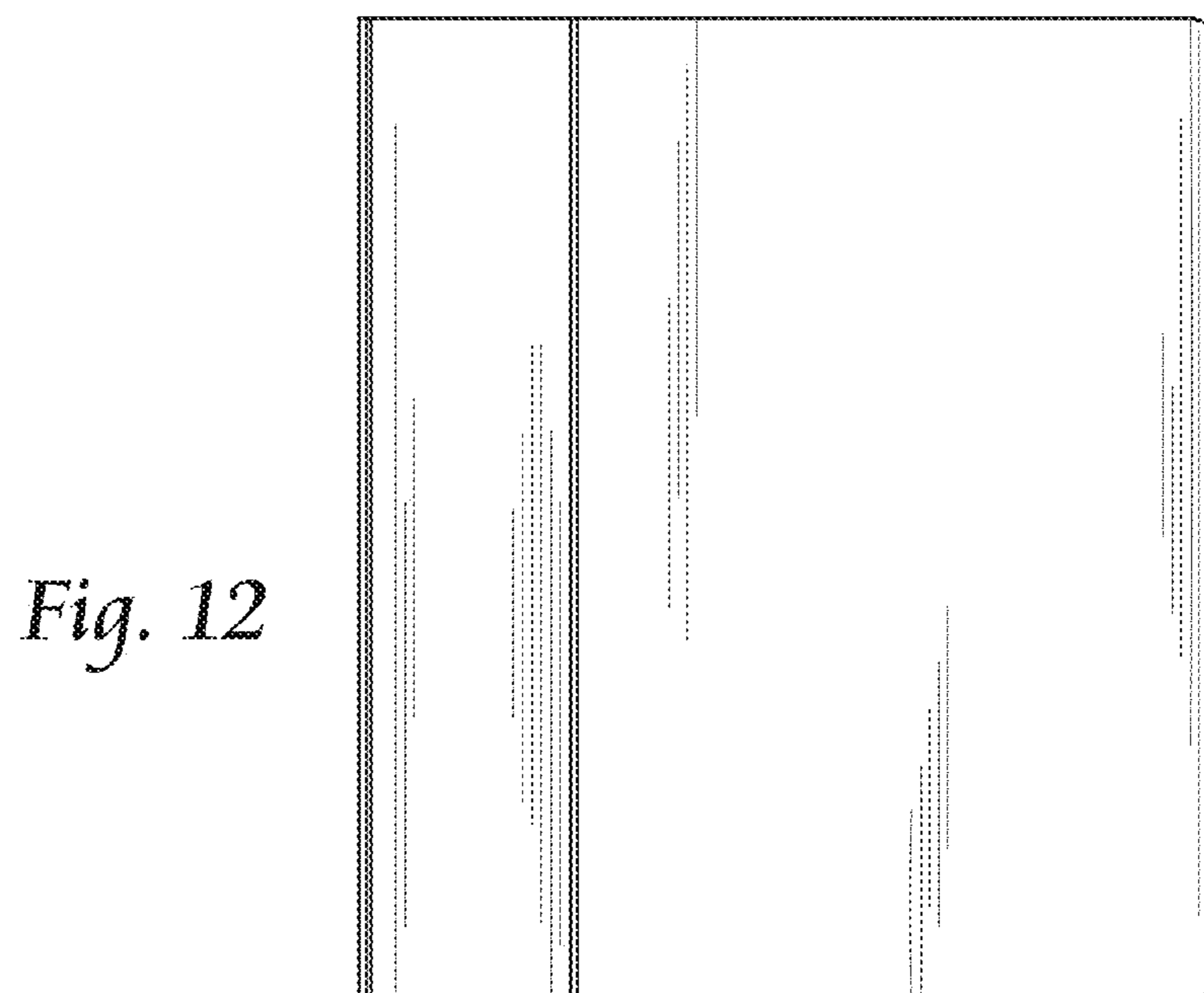
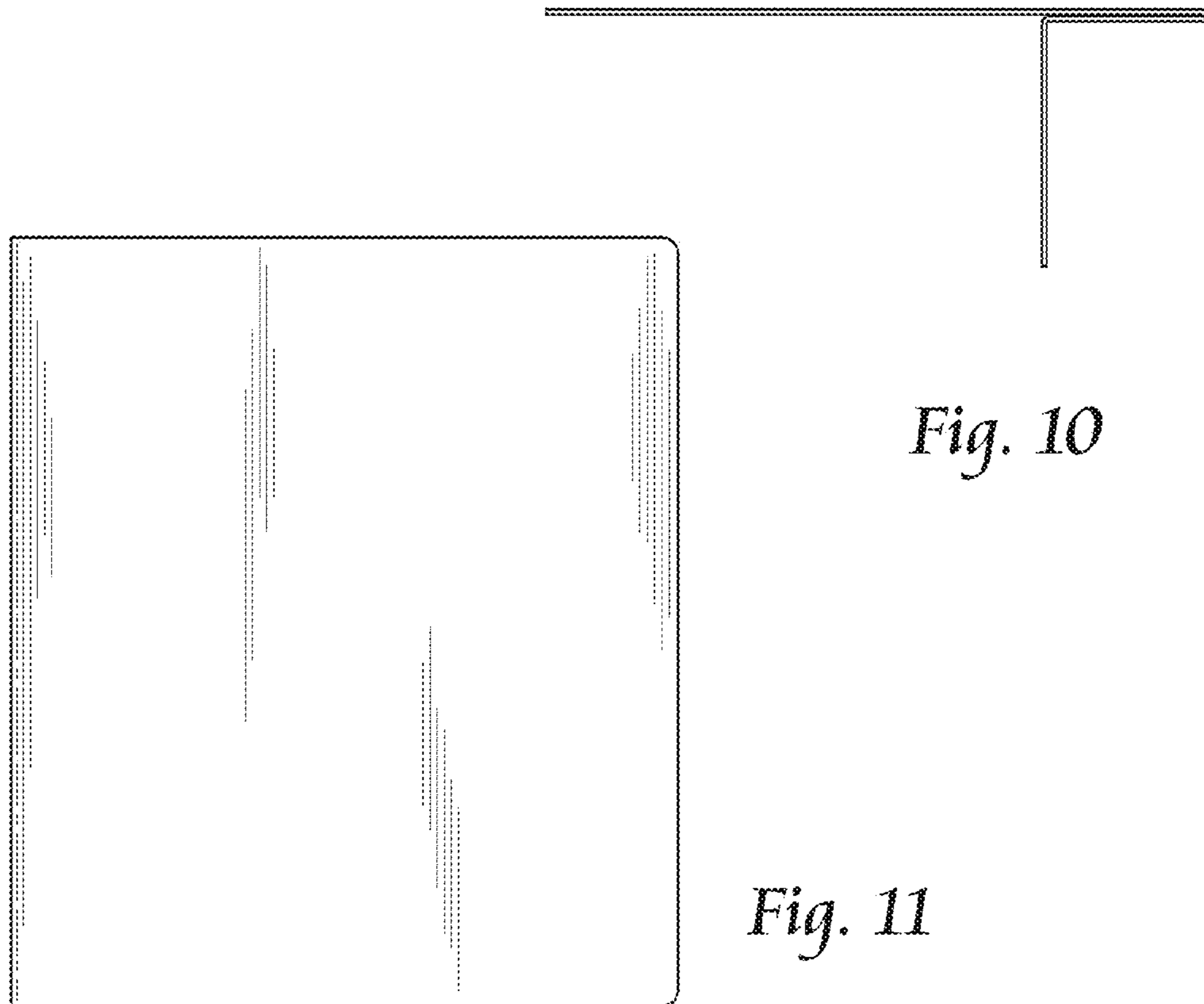


Fig. 9



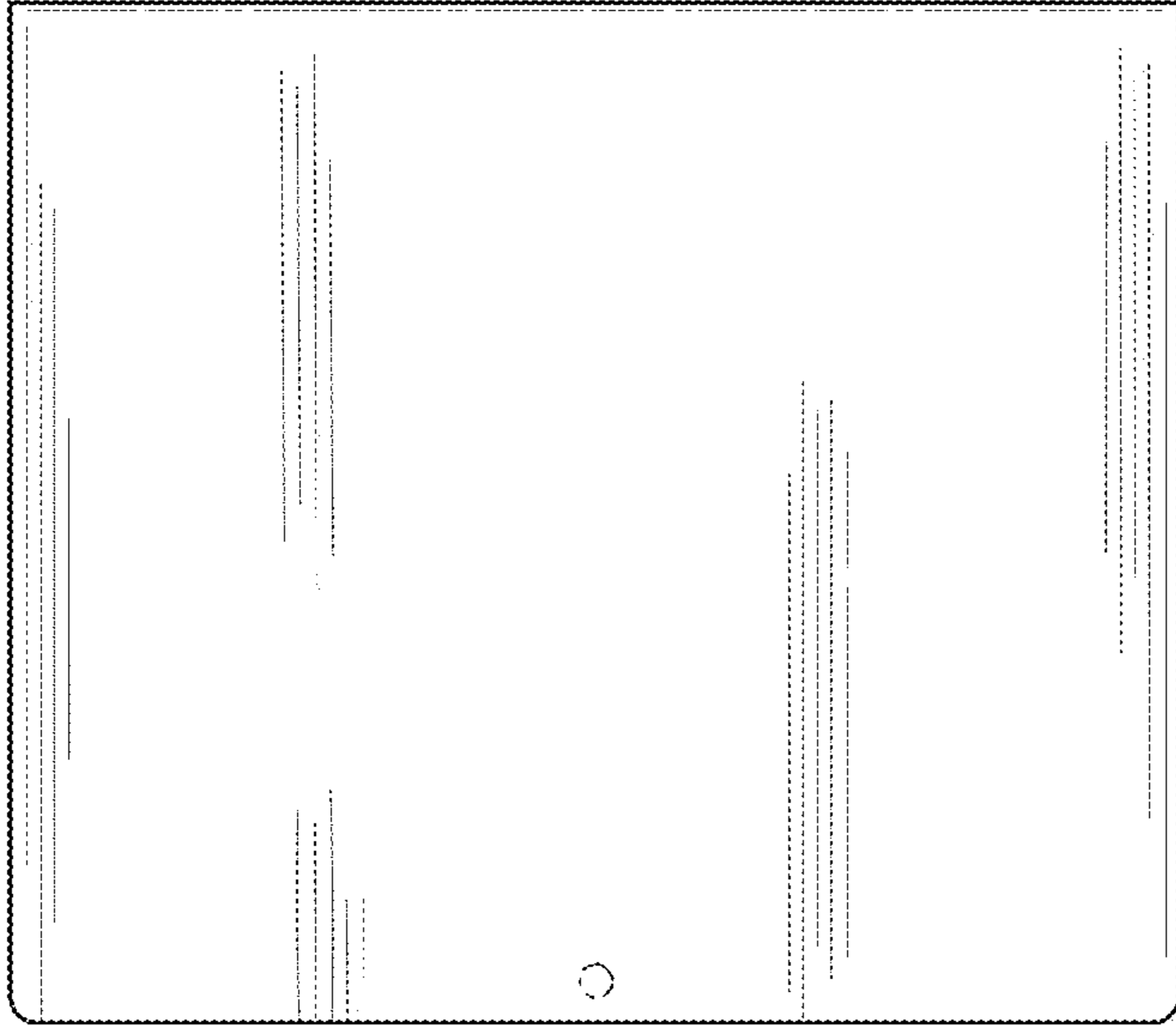


Fig. 13

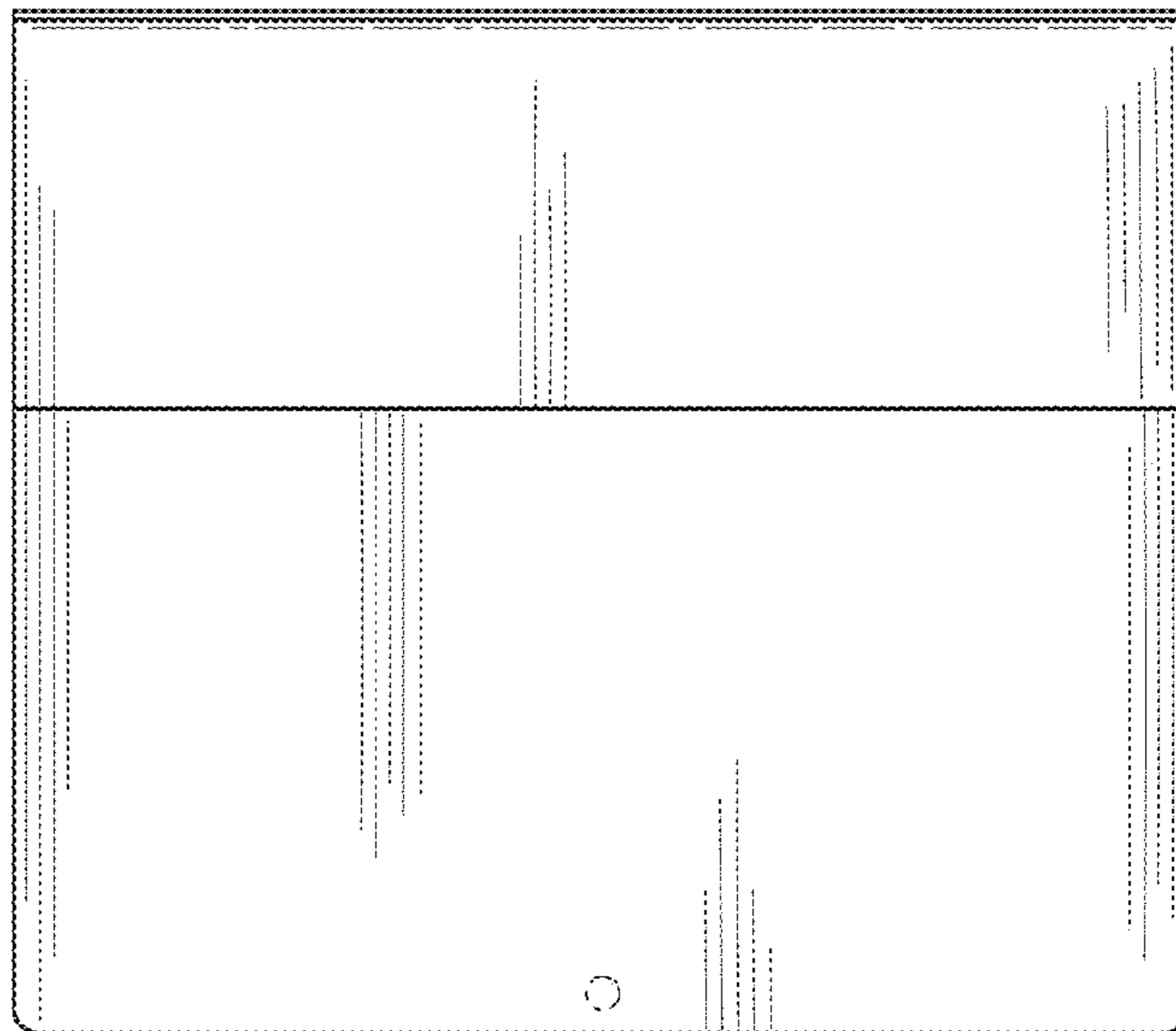


Fig. 14