



US00D728285S

(12) **United States Design Patent**
Orvelin

(10) **Patent No.:** **US D728,285 S**

(45) **Date of Patent:** **** May 5, 2015**

(54) **SALES COUNTER**

(71) Applicant: **Gottbitten en Gros AB**, Strömstad (SE)

(72) Inventor: **Petter Orvelin**, Strömstad (SE)

(73) Assignee: **Gottbitten en Gros AB**, Stromstad (SE)

(**) Term: **14 Years**

(21) Appl. No.: **29/483,229**

(22) Filed: **Feb. 26, 2014**

(30) **Foreign Application Priority Data**

Sep. 30, 2013 (EM) 002318048-0001

(51) **LOC (10) Cl.** **06-04**

(52) **U.S. Cl.**
USPC **D6/699**

(58) **Field of Classification Search**
USPC D6/698, 699, 699.1, 699.2, 699.3, 657,
D6/664, 668, 686, 692.3, 683.1, 677,
D6/677.4; 312/140.1, 140.2, 116, 117,
312/284, 286

See application file for complete search history.

(56) **References Cited**

U.S. PATENT DOCUMENTS

853,215 A * 5/1907 Berg 211/126.1
1,626,492 A * 4/1927 Youngson 198/346

D127,900 S * 6/1941 Block D6/469
D129,258 S * 9/1941 James D6/471
D148,858 S * 3/1948 Irwin D6/474
D152,371 S * 1/1949 Schick D6/437
D232,286 S * 8/1974 Galuten D6/438
D288,040 S * 2/1987 LeBlanc D6/473
D389,673 S * 1/1998 Mulvihill D6/474

* cited by examiner

Primary Examiner — Janice Seeger

(74) *Attorney, Agent, or Firm* — Dilworth & Barrese, LLP.

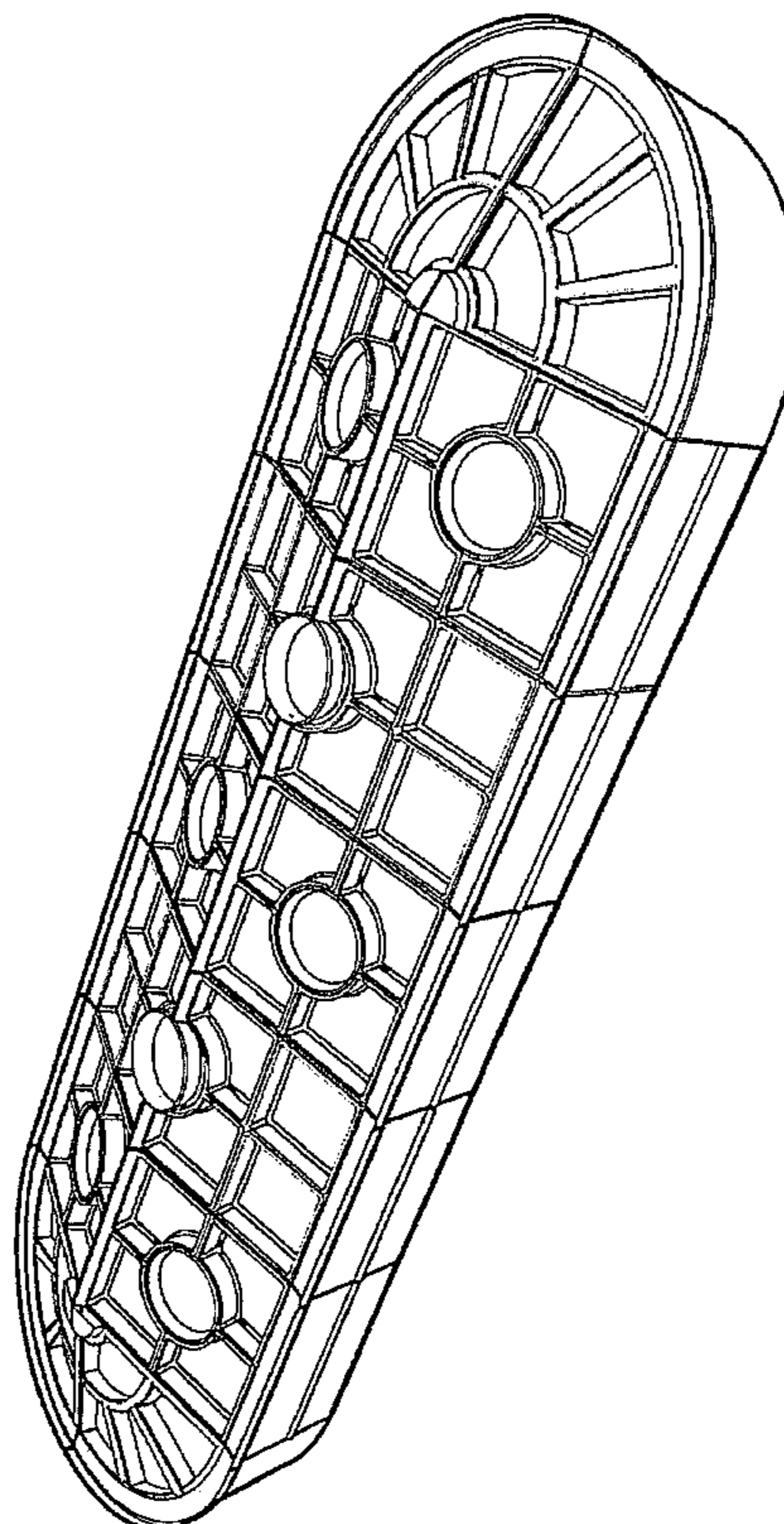
(57) **CLAIM**

The ornamental design for a sales counter, as shown and described.

DESCRIPTION

FIG. 1 is a right front perspective view from above of the sales counter showing my new design, the left front perspective view from above being a substantial mirror image thereof; FIG. 2 is a right elevational view of the sales counter of FIG. 1; FIG. 3 is a left elevational view of the sales counter of FIGS. 1 and 2; FIG. 4 is a right rear perspective view from above of the sales counter of FIGS. 1-3, the left rear perspective view from above being a substantial mirror image thereof; FIG. 5 is a rear elevational view of the sales counter of FIGS. 1-4; FIG. 6 is a front elevational view of the sales counter of FIGS. 1-5; and, FIG. 7 is a top plan view of the sales counter of FIGS. 1-6.

1 Claim, 7 Drawing Sheets



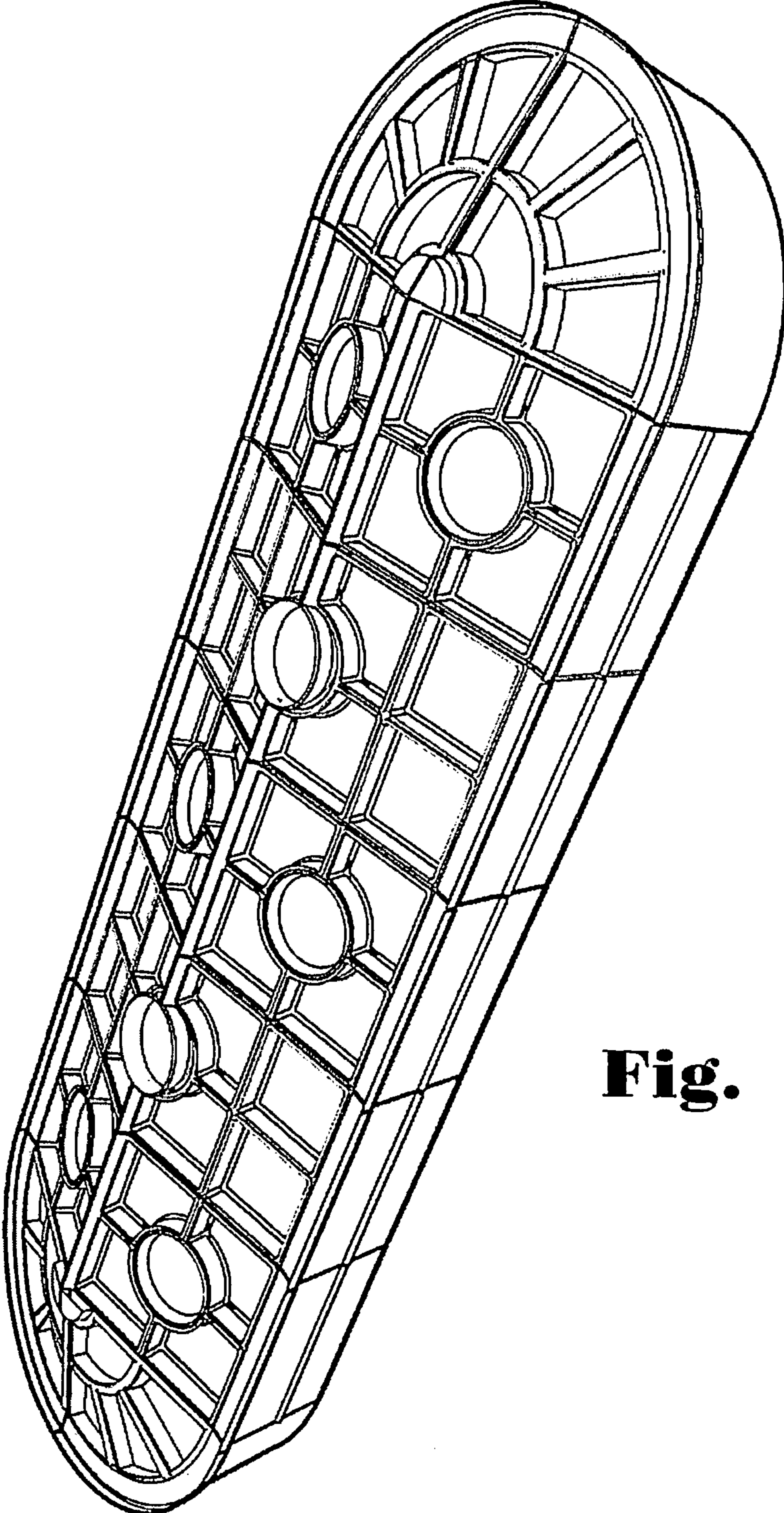


Fig. 1

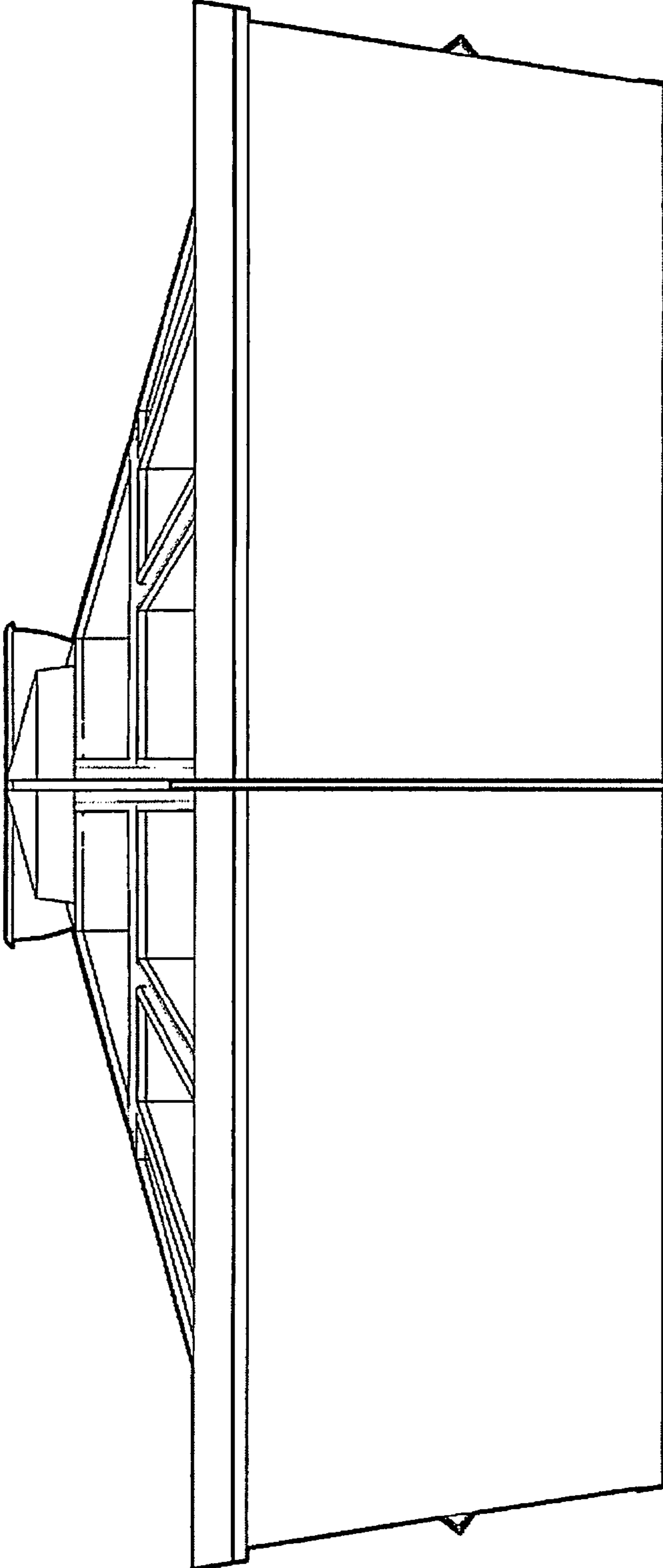


Fig. 2

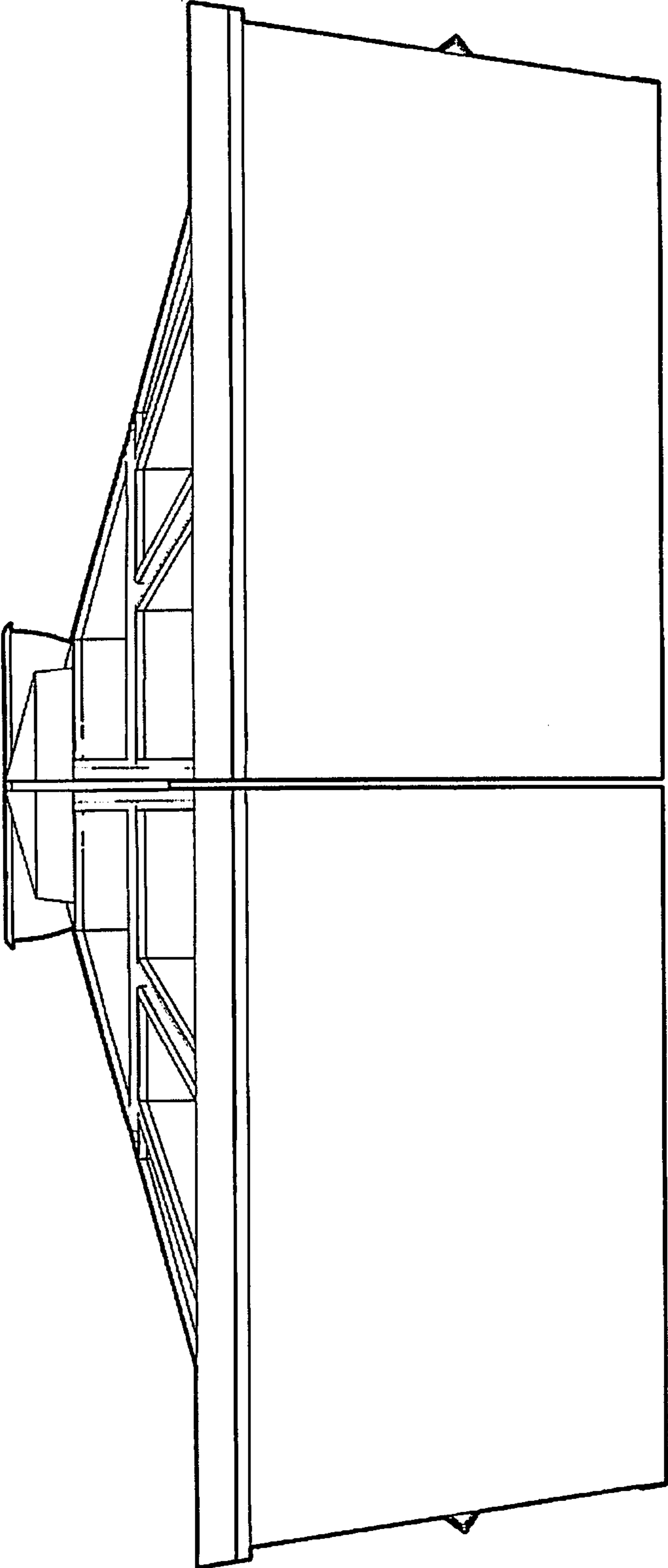


Fig. 3

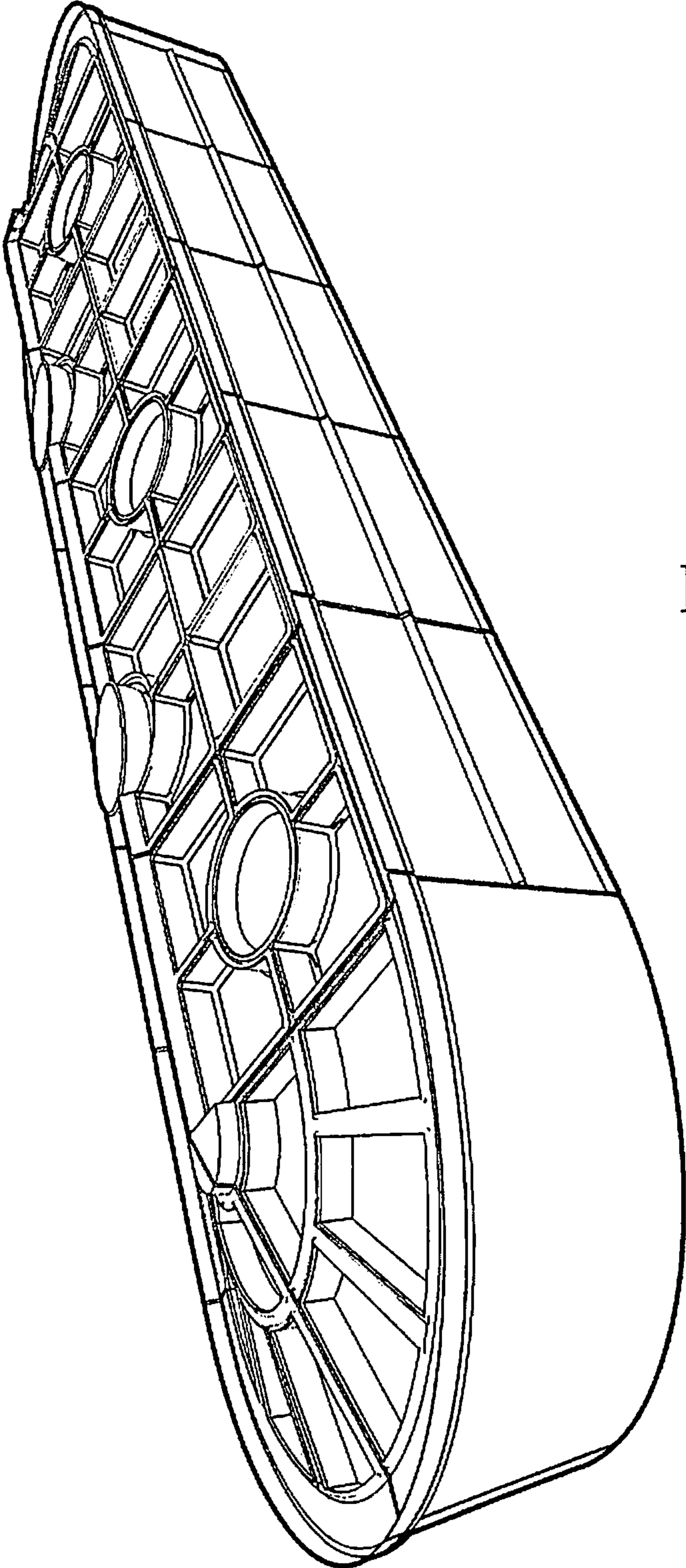


Fig. 4

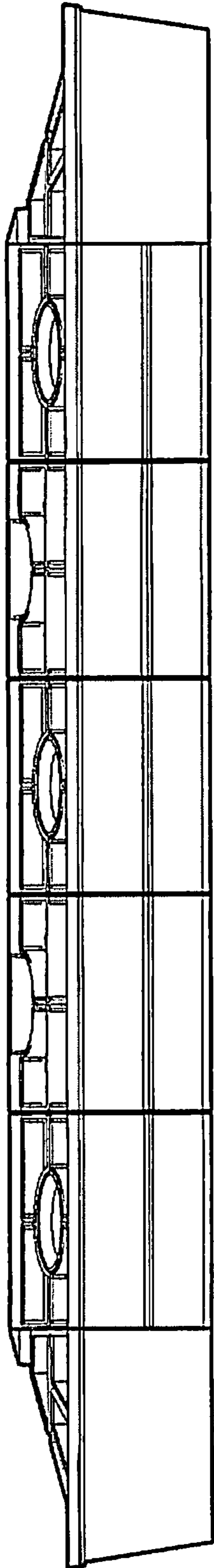


Fig. 5

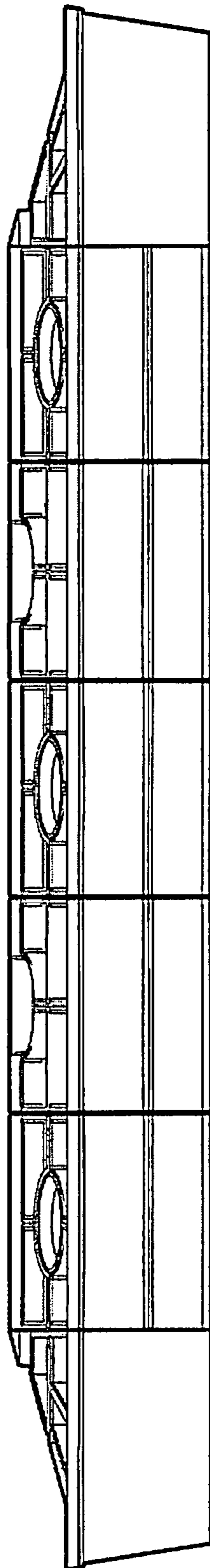


Fig. 6

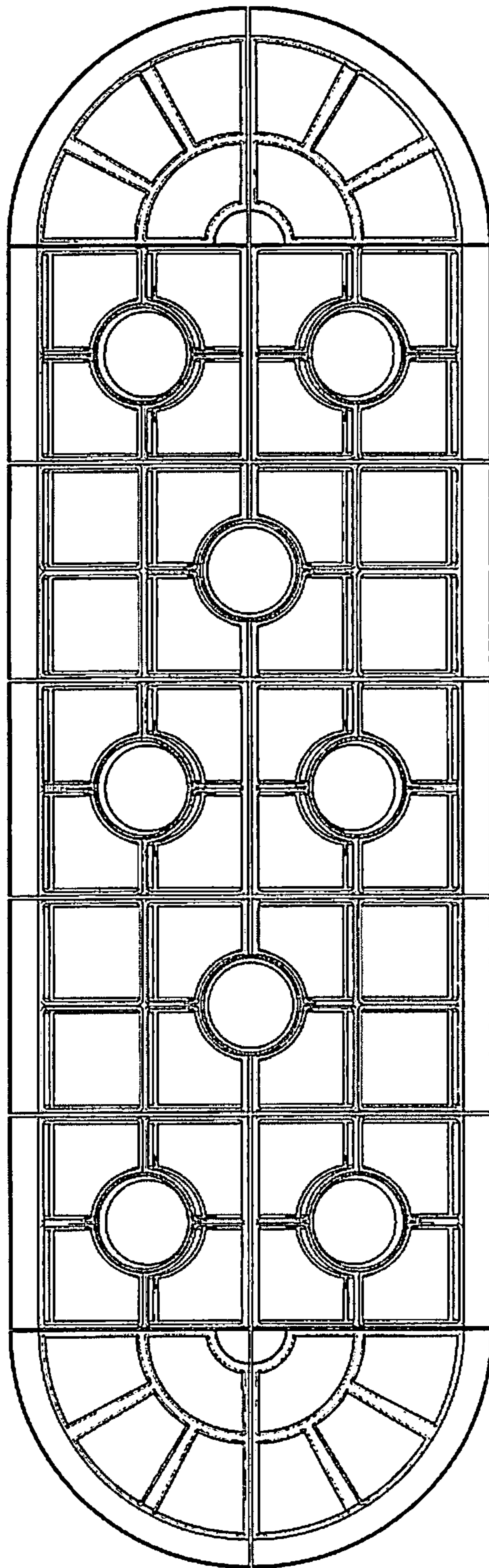


Fig. 7