



US00D728284S

(12) **United States Design Patent**  
**Nentwich et al.**

(10) **Patent No.:** **US D728,284 S**

(45) **Date of Patent:** **\*\* May 5, 2015**

(54) **STAND FOR A ROD-SHAPED SENSOR**

(56)

**References Cited**

(75) Inventors: **Jessica Nentwich**, Korntal-Munchingen (DE); **Matthias Marx**, Mutlangen (DE); **Heinrich Henssler**, Schwaebisch Gmuend (DE); **Martin Schultheiss**, Schwaebisch Gmuend (DE)

U.S. PATENT DOCUMENTS

5,161,768	A *	11/1992	Sarabin	248/525
5,320,227	A *	6/1994	Minoura	211/22
D358,048	S *	5/1995	Schoenig et al.	D6/466
6,679,388	B1 *	1/2004	Chiu	211/22
D534,741	S *	1/2007	Lippert	D6/462
D578,803	S *	10/2008	Mori et al.	D6/462
D615,072	S *	5/2010	Saitou	D14/239
D664,374	S *	7/2012	Capella	D6/415
D665,190	S *	8/2012	Fitzpatrick	D6/415
D675,039	S *	1/2013	Foisy	D6/682
8,418,860	B2 *	4/2013	Rimmer et al.	211/85.7

(73) Assignee: **Endress + Hauser Conducta Gesellschaft für Mess-und Regeltechnik mbH + Co. KG**, Gerlingen (DE)

(\*\*) Term: **14 Years**

\* cited by examiner

(21) Appl. No.: **29/432,227**

*Primary Examiner* — Kelley Donnelly

(22) Filed: **Sep. 14, 2012**

(74) *Attorney, Agent, or Firm* — Bacon & Thomas, PLLC

(30) **Foreign Application Priority Data**

Mar. 16, 2012 (EM) ..... 002009878

(51) **LOC (10) Cl.** ..... **06-06**

(52) **U.S. Cl.**  
USPC ..... **D6/682.5**

(58) **Field of Classification Search**  
USPC ..... D6/396–397, 419, 432–436, 449, 466, D6/672–673, 675–675.1, 681, 681.1, D6/682.3, 682.5; 211/42, 44–45, 48, 50, 211/90.01, 133.1; 312/7.2, 9.1, 107–109, 312/117–119, 278–279; 108/59, 108, 161  
See application file for complete search history.

(57) **CLAIM**

The ornamental design for a stand for a rod-shaped sensor, as shown and described.

**DESCRIPTION**

FIG. 1 is a perspective view in elevation of the stand for a rod-shaped sensor according to our invention; FIG. 2 is a perspective right side view of the stand for a rod-shaped sensor shown in FIG. 1; and, FIG. 3 is a top right-side perspective view view of the stand for a rod-shaped sensor as shown in FIG. 1.

**1 Claim, 3 Drawing Sheets**

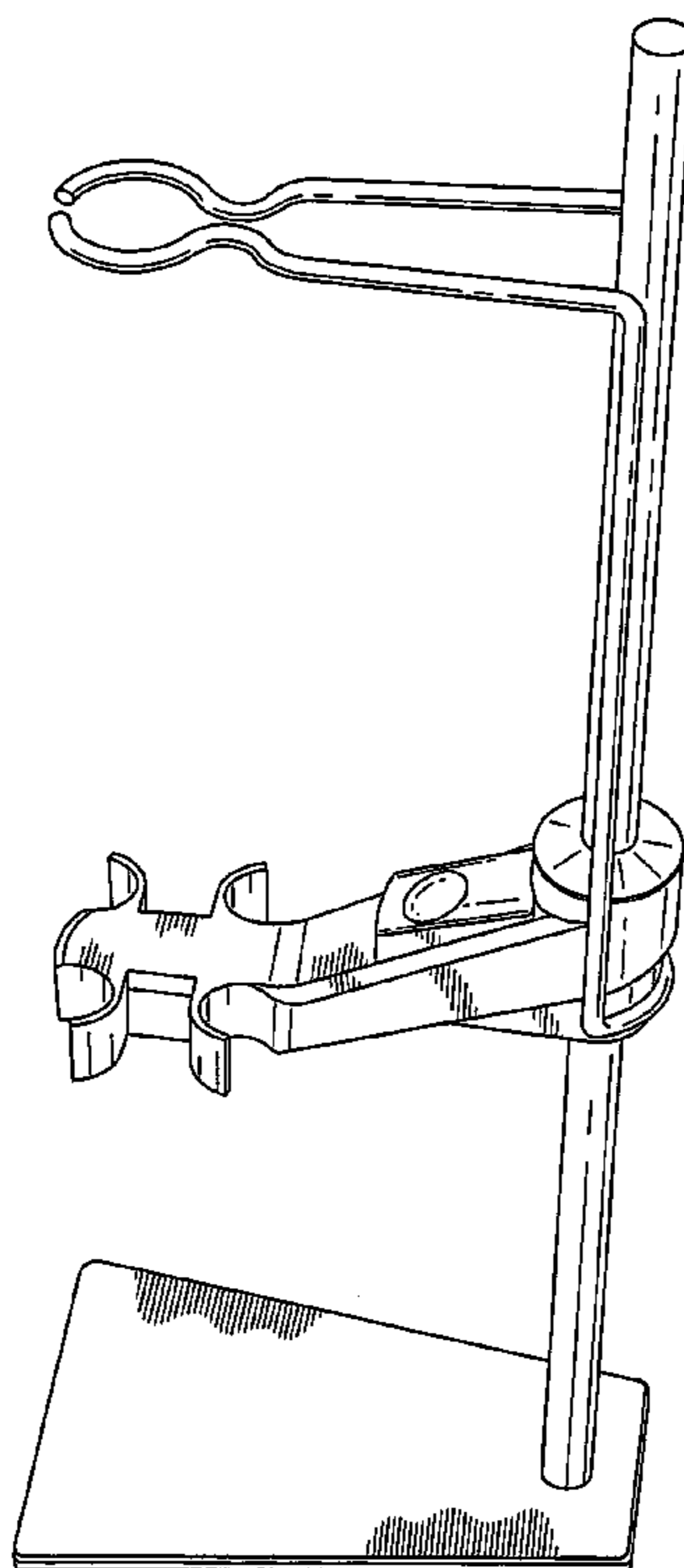
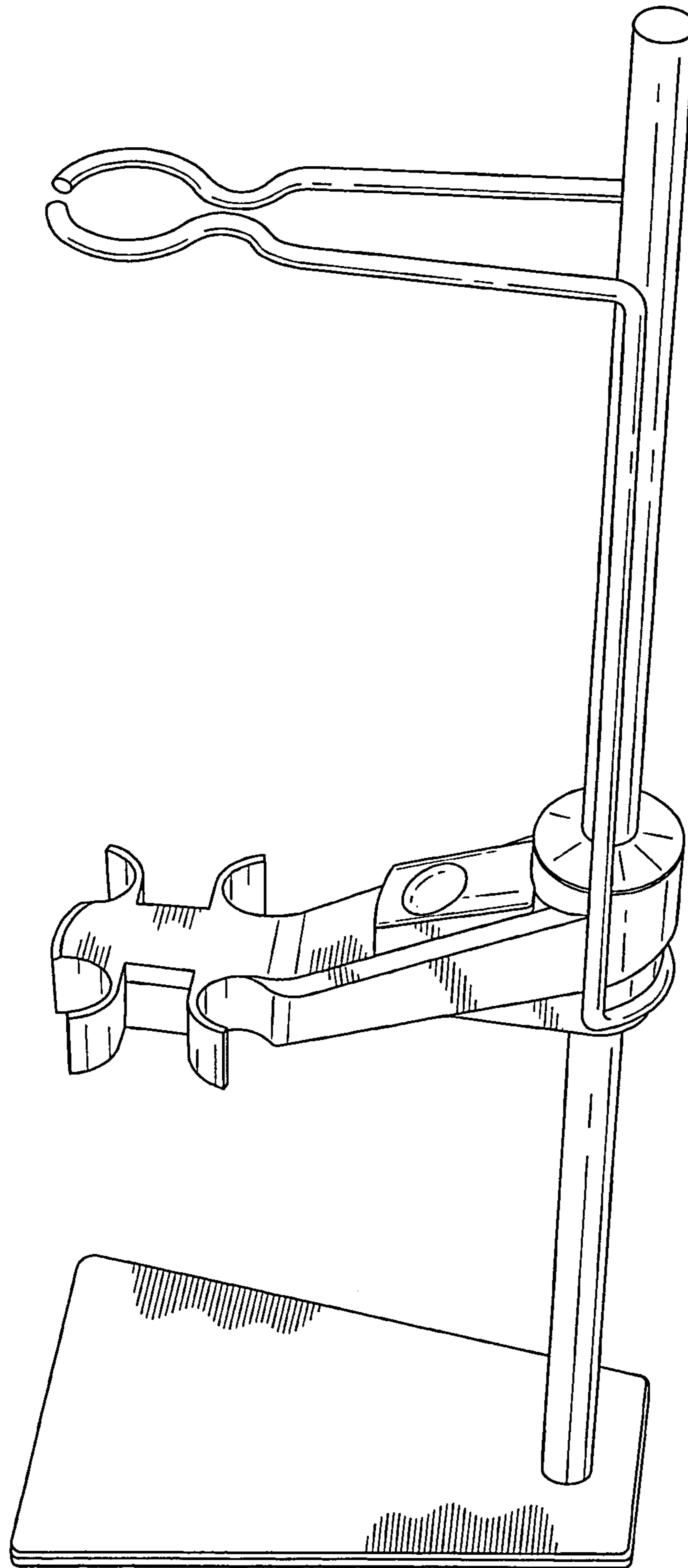


FIG. 1



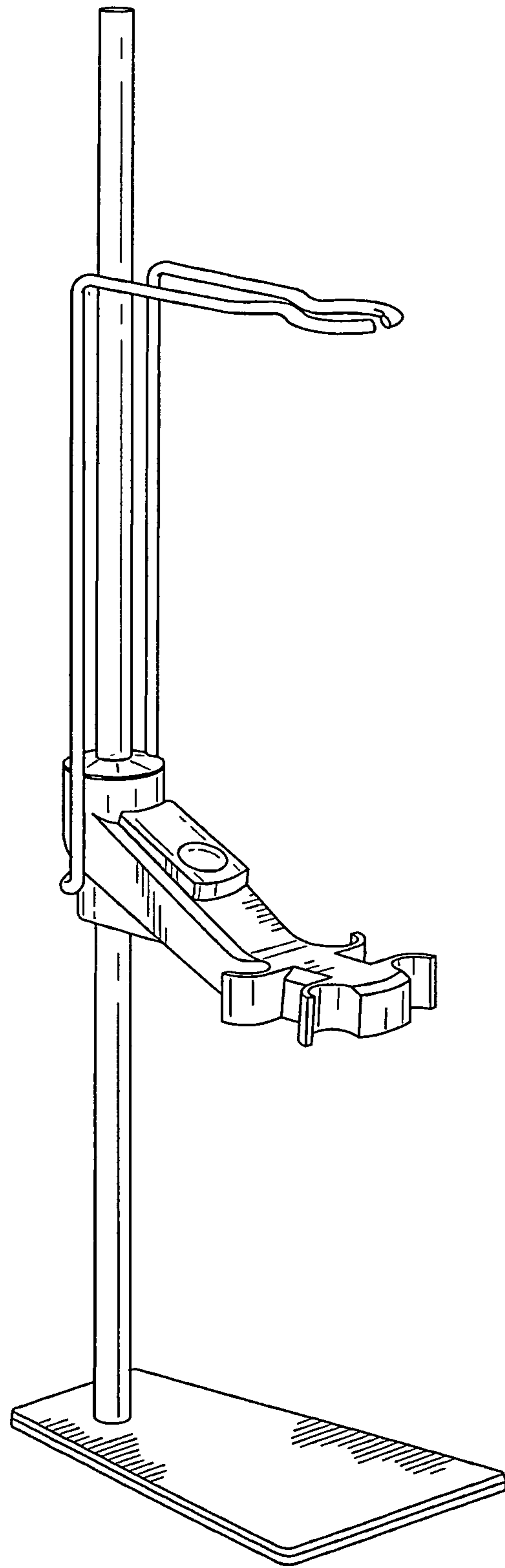


FIG. 2

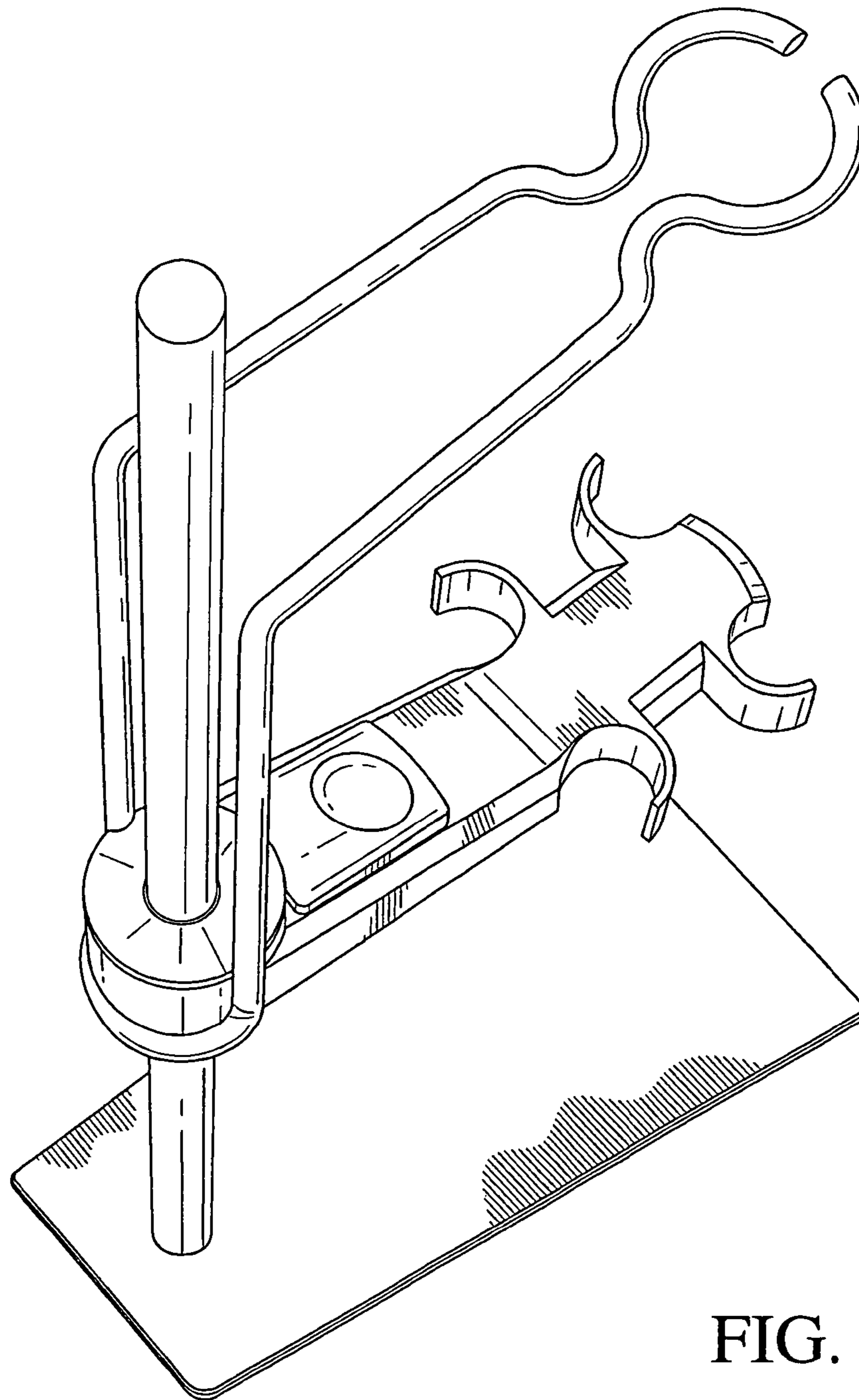


FIG. 3