



US00D728283S

(12) **United States Design Patent**
Weshler et al.

(10) **Patent No.:** **US D728,283 S**

(45) **Date of Patent:** **** May 5, 2015**

- (54) **PRODUCT DISPLAY ASSEMBLY**
- (71) Applicant: **DSI Group Inc**, Maspeth, NY (US)
- (72) Inventors: **Benjamin S. Weshler**, New York, NY (US); **Yin-Chie Huang**, Great Neck, NY (US); **Anthony DeMayo**, Smithtown, NY (US)

D440,796 S *	4/2001	Riga	D6/468
D591,079 S *	4/2009	Singler et al.	D6/432
D645,278 S *	9/2011	Kotz et al.	D6/492
D686,437 S *	7/2013	Johnson et al.	D6/661
D712,181 S *	9/2014	Martell et al.	D6/675.1
D717,085 S *	11/2014	Trinh et al.	D6/675
2004/0135476 A1 *	7/2004	Gillengerten	312/8.16

* cited by examiner

(73) Assignee: **DSI Group Inc.**, Maspeth, NY (US)

Primary Examiner — Kelley Donnelly

(**) Term: **14 Years**

(74) *Attorney, Agent, or Firm* — Tarter Krinsky & Drogin LLP

(21) Appl. No.: **29/502,264**

(57) **CLAIM**

The ornamental design for a product display assembly, as shown and described.

(22) Filed: **Sep. 12, 2014**

DESCRIPTION

(51) **LOC (10) Cl.** **06-06**

(52) **U.S. Cl.**
USPC **D6/675.1**

(58) **Field of Classification Search**
USPC D6/460–461, 468, 474, 477–479, 672, D6/675, 675.1; 312/7.2, 9.1; 108/59, 91, 108/92, 96; 211/41.12, 42, 49.1, 50, 85.2, 211/90.04, 187, 190, 119.003, 134.153, 211/87.01

See application file for complete search history.

FIG. 1 is a front top right perspective view of a first embodiment of a product display assembly;
FIG. 2 is a front top left perspective view thereof;
FIG. 3 is a front bottom right perspective view thereof;
FIG. 4 is a front bottom left perspective view thereof;
FIG. 5 is a front view thereof;
FIG. 6 is a rear view thereof;
FIG. 7 is a first side view thereof;
FIG. 8 is a second side view thereof;
FIG. 9 is a top view thereof; and,
FIG. 10 is a bottom view thereof.

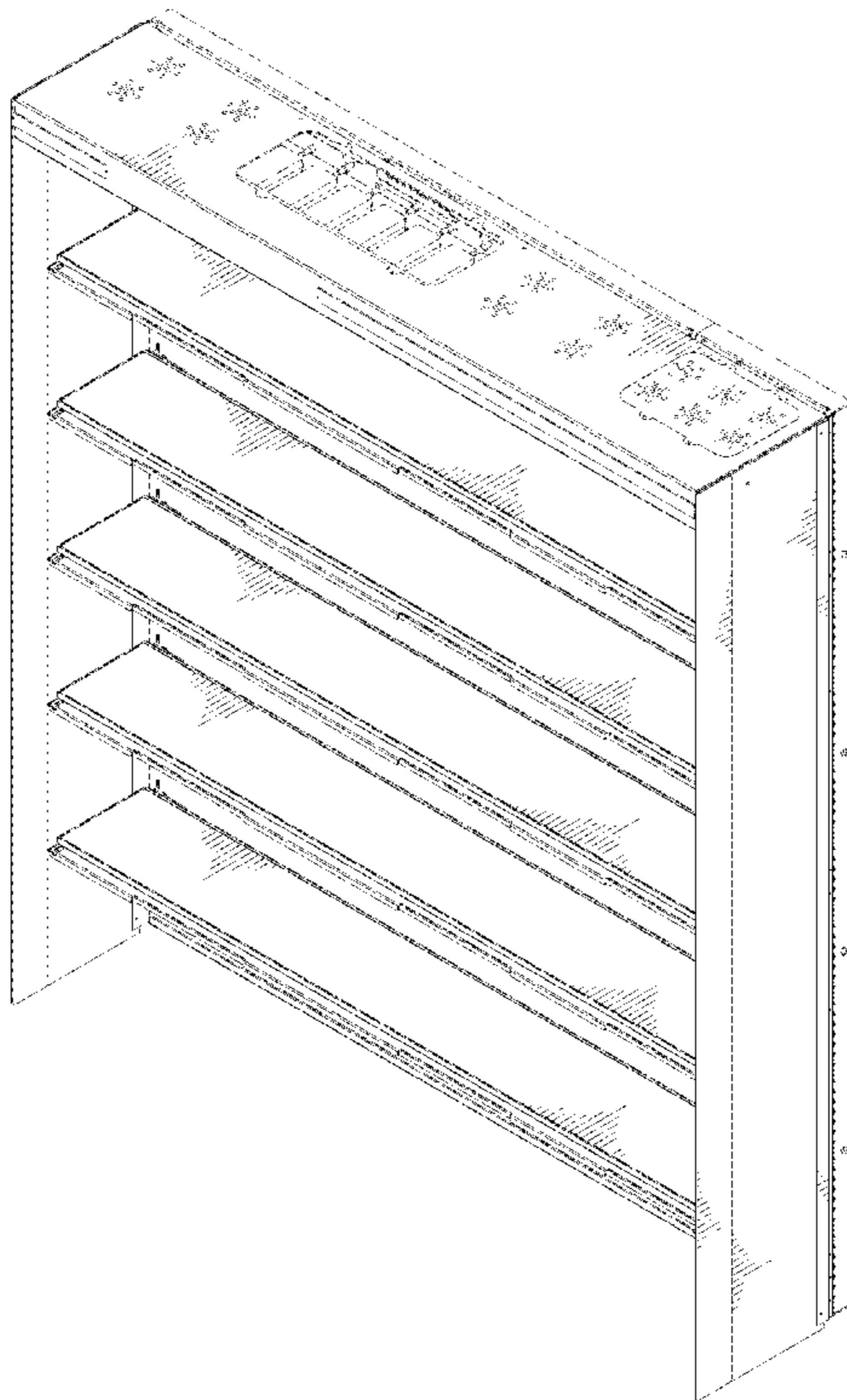
The broken lines shown in the drawings are for illustrative purposes only and form no part of the claimed design.

(56) **References Cited**

U.S. PATENT DOCUMENTS

D331,160 S *	11/1992	Brunner	D6/414
6,068,135 A *	5/2000	Holztrager	211/4

1 Claim, 8 Drawing Sheets



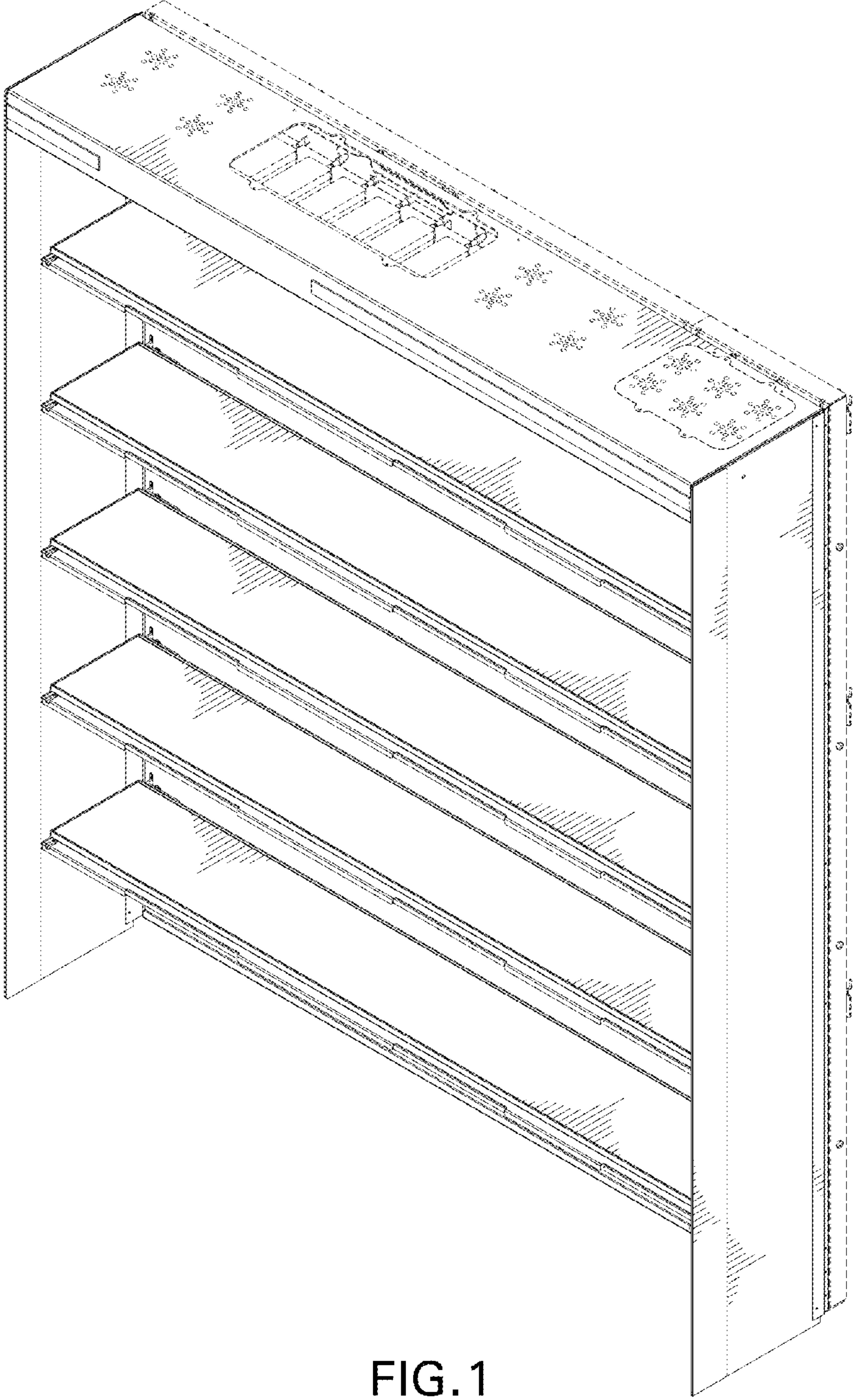


FIG. 1

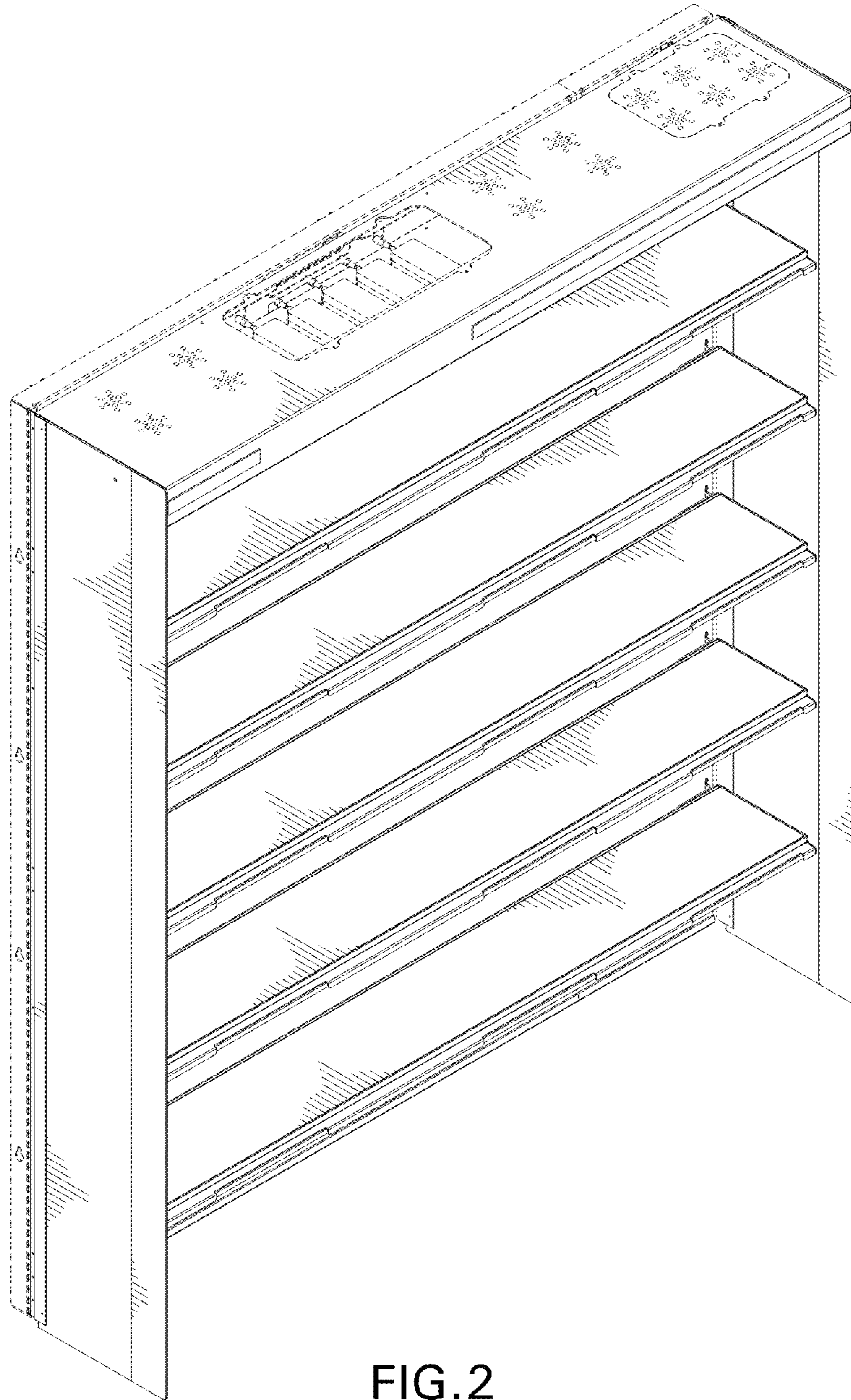


FIG. 2

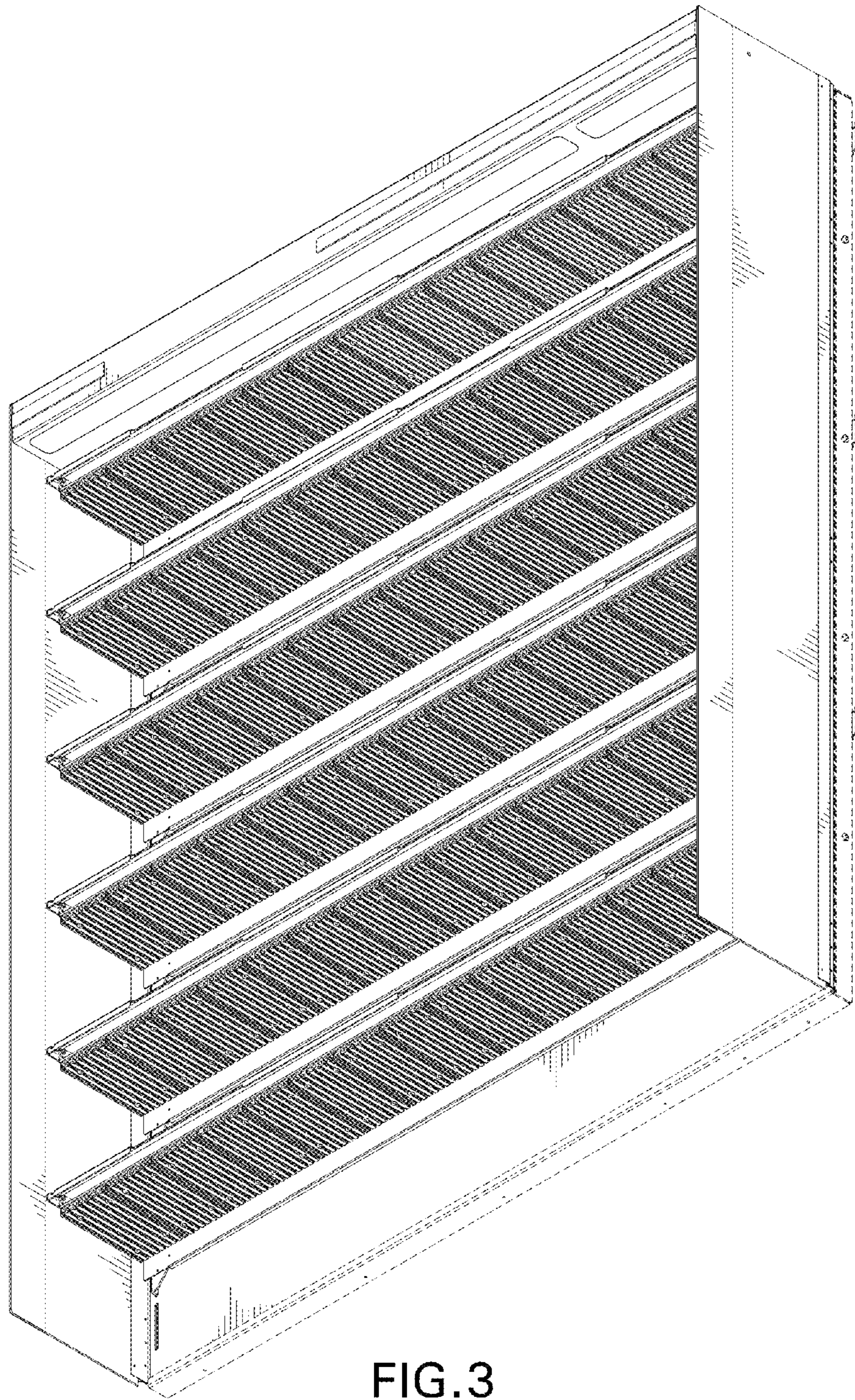


FIG. 3

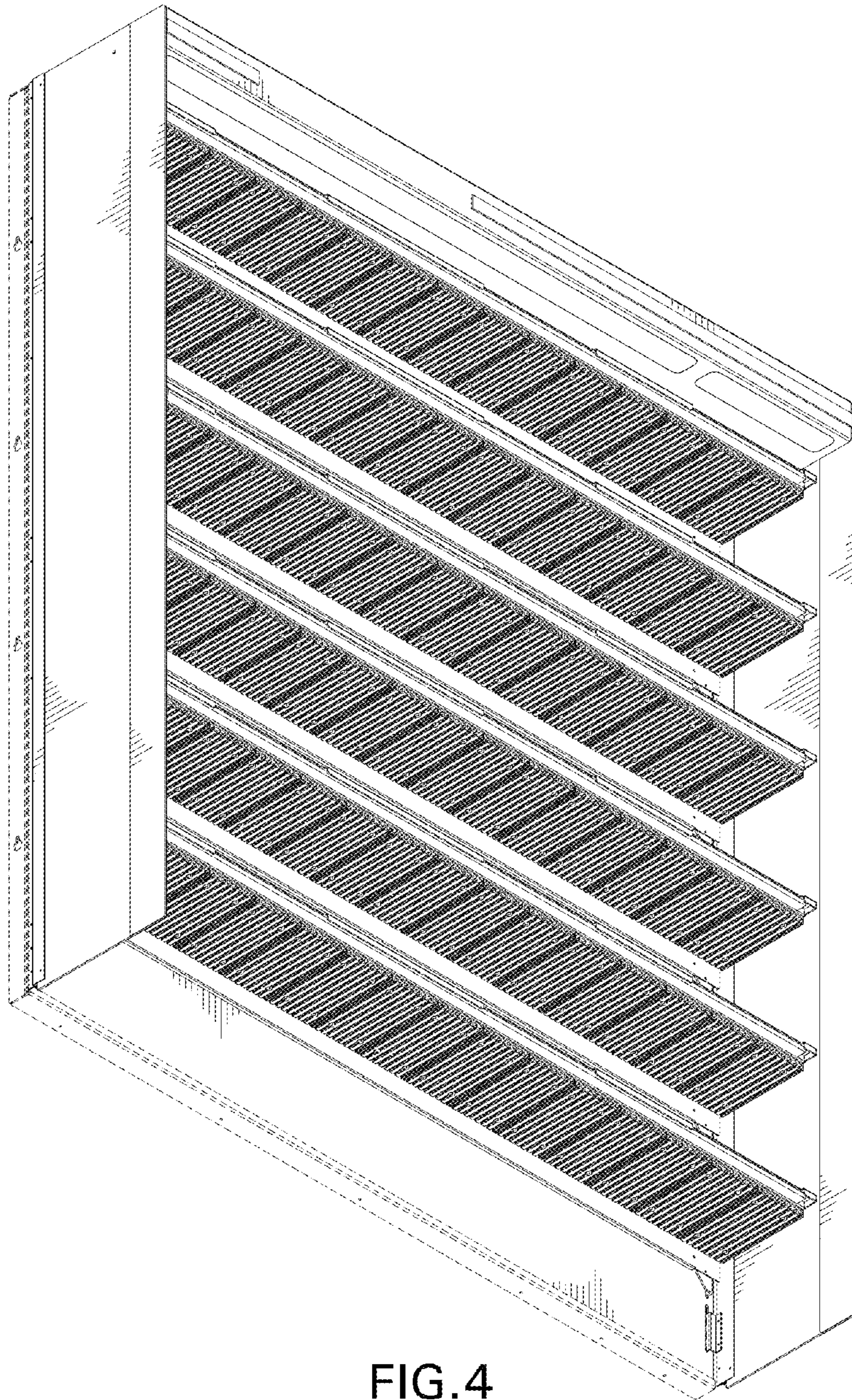


FIG.4

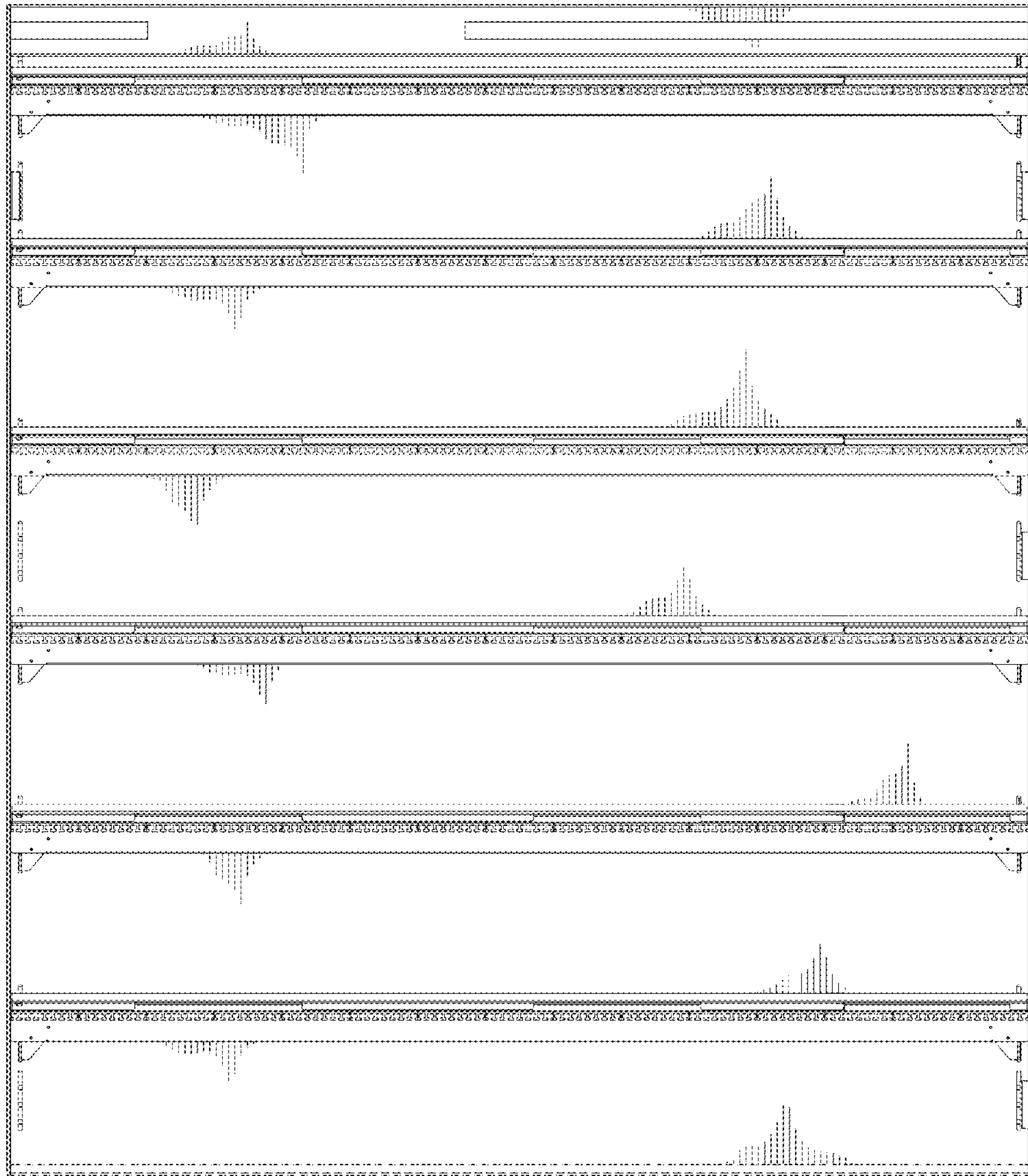


FIG. 5

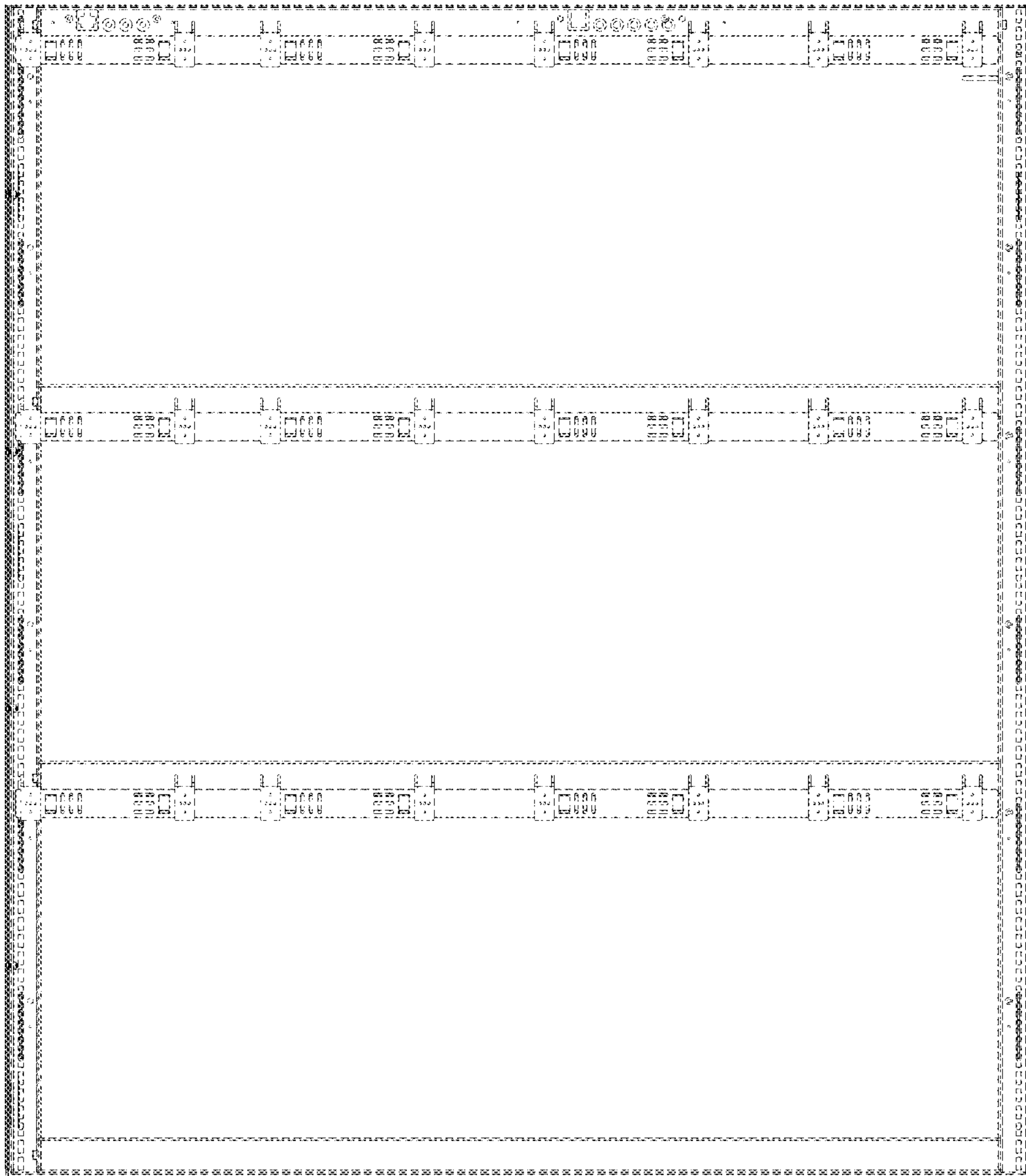


FIG. 6

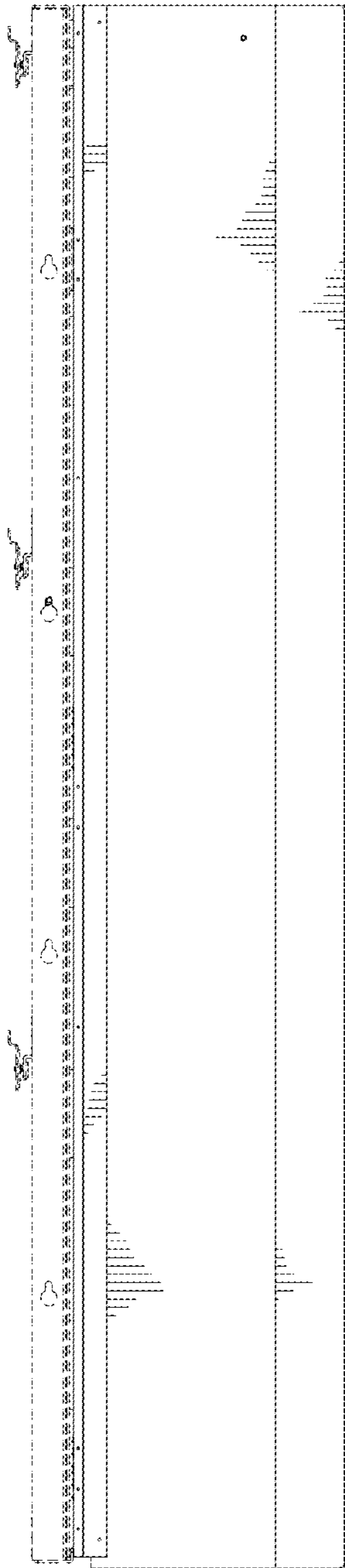


FIG. 7

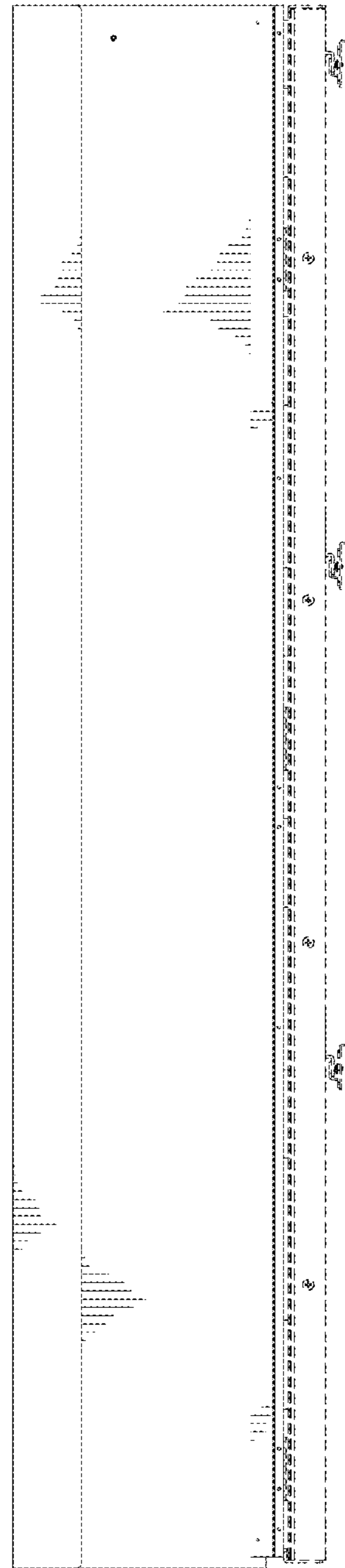


FIG. 8

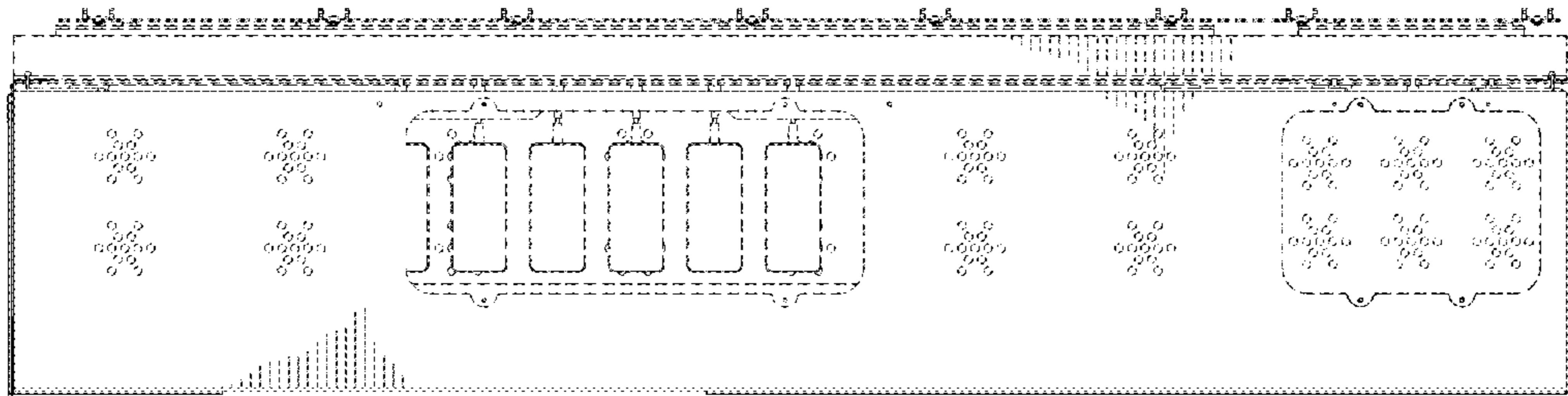


FIG. 9

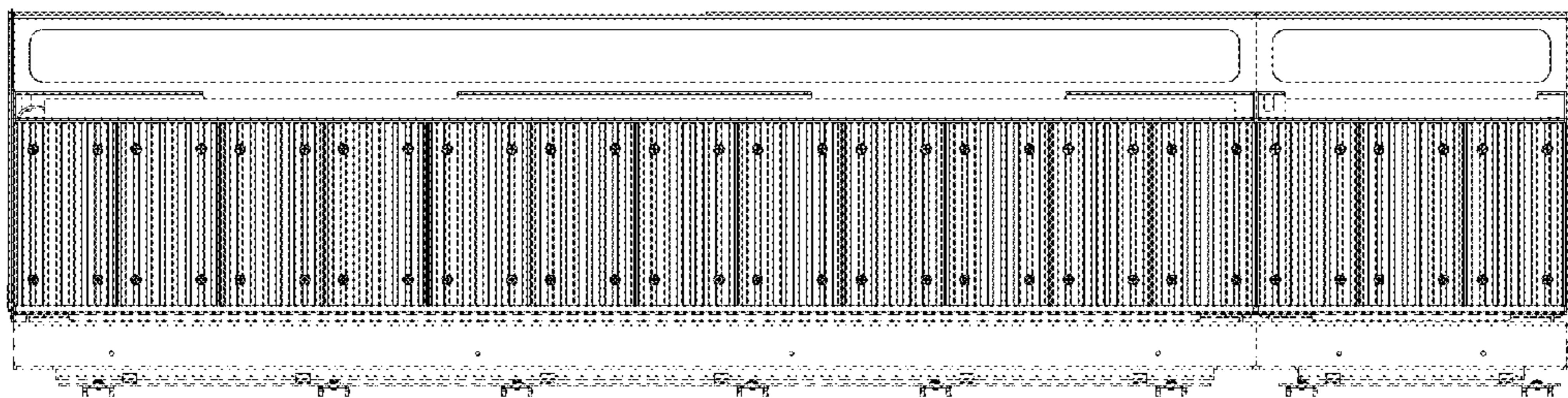


FIG. 10