



US00D728281S

(12) **United States Design Patent**
Heirakuji et al.

(10) **Patent No.:** **US D728,281 S**
(45) **Date of Patent:** **** May 5, 2015**

(54) **DISPLAY STRUCTURE**

(71) Applicant: **Apple Inc.**, Cupertino, CA (US)

(72) Inventors: **Russell John Kaaihue Heirakuji**,
Cupertino, CA (US); **Kevin Fenton Smeds**,
San Francisco, CA (US); **Frank Craig Thaler**,
Santa Cruz, CA (US)

(73) Assignee: **Apple Inc.**, Cupertino, CA (US)

(**) Term: **14 Years**

(21) Appl. No.: **29/432,722**

(22) Filed: **Sep. 19, 2012**

(51) **LOC (10) Cl.** **06-06**

(52) **U.S. Cl.**
USPC **D6/675**

(58) **Field of Classification Search**

CPC A47F 5/0018; A47F 5/0043; A47F 5/0081
USPC D6/409-415, 449, 455-458, 461-468,
D6/474, 476-479, 675, 675.1; 211/31.1,
211/85.26, 85.31, 85.4, 33, 134, 186-191,
211/194, 181.1

See application file for complete search history.

(56) **References Cited**

U.S. PATENT DOCUMENTS

D248,345 S * 7/1978 Stoddard D6/353
D303,190 S * 9/1989 Suttles D6/491

(Continued)

OTHER PUBLICATIONS

U.S. Appl. No. 29/432,724, inventors Tio et al., filed Sep. 19, 2012.

Primary Examiner — Kelley Donnelly

(74) *Attorney, Agent, or Firm* — Sterne, Kessler, Goldstein
& Fox P.L.L.C.

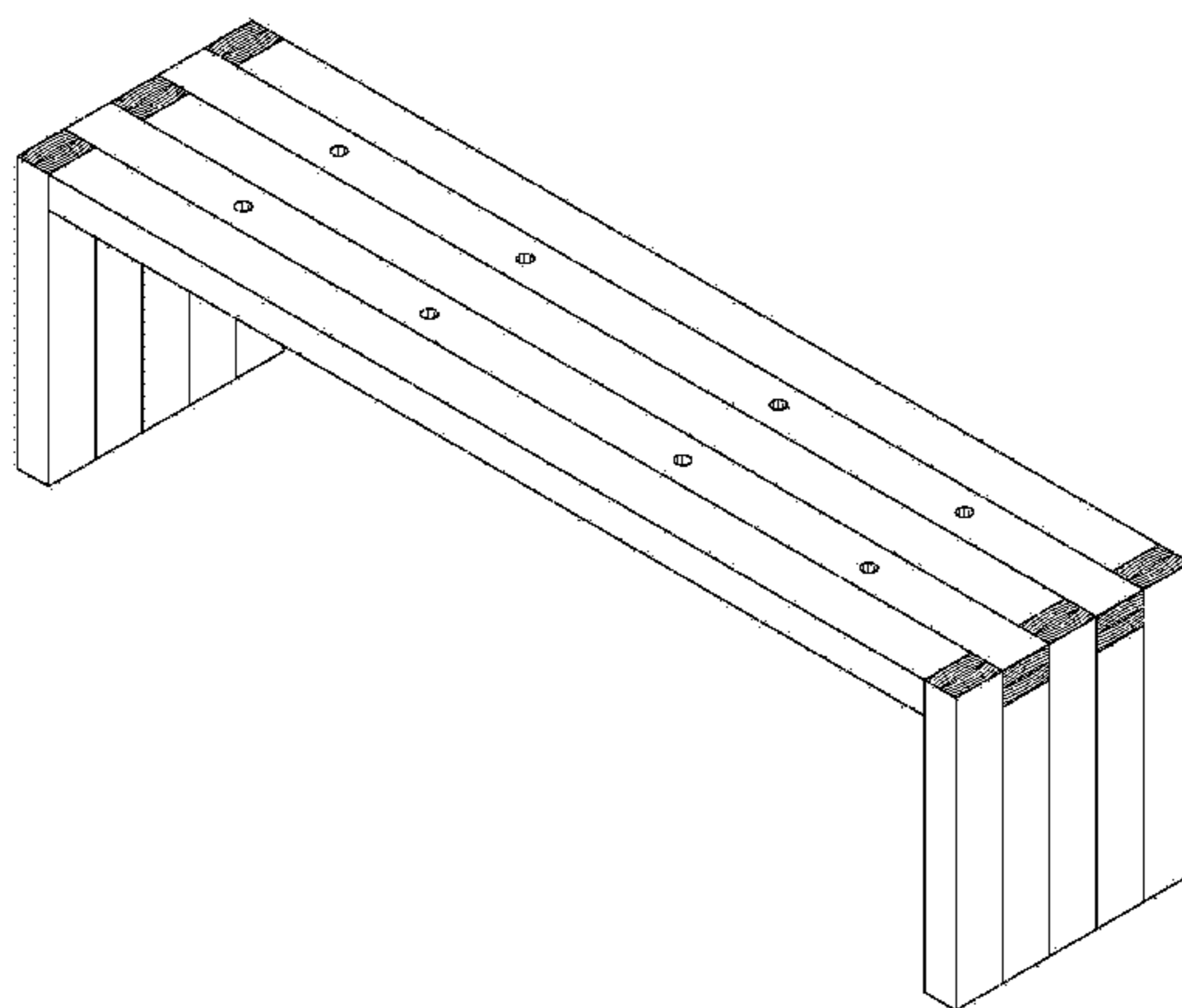
(57) **CLAIM**

The ornamental design for a display structure, as shown and described.

DESCRIPTION

FIG. 1 is a top front perspective view of a display structure showing our new design;
FIG. 2 is a bottom rear perspective view thereof;
FIG. 3 is a front view thereof;
FIG. 4 is a rear view thereof;
FIG. 5 is a left side view thereof;
FIG. 6 is a right side view thereof;
FIG. 7 is a top view thereof;
FIG. 8 is a bottom view thereof;
FIG. 9 is a top front perspective view of another embodiment of a display structure showing our new design;
FIG. 10 is a bottom rear perspective view thereof;
FIG. 11 is a front view thereof;
FIG. 12 is a rear view thereof;
FIG. 13 is a left side view thereof;
FIG. 14 is a right side view thereof;
FIG. 15 is a top view thereof;
FIG. 16 is a bottom view thereof;
FIG. 17 is a top front perspective view of another embodiment of a display structure showing our new design;
FIG. 18 is a bottom rear perspective view thereof;
FIG. 19 is a front view thereof;
FIG. 20 is a rear view thereof;
FIG. 21 is a left side view thereof;
FIG. 22 is a right side view thereof;
FIG. 23 is a top view thereof;
FIG. 24 is a bottom view thereof;
FIG. 25 is a top front perspective view of another embodiment of a display structure showing our new design;
FIG. 26 is a bottom rear perspective view thereof;
FIG. 27 is a front view thereof;
FIG. 28 is a rear view thereof;
FIG. 29 is a left side view thereof;
FIG. 30 is a right side view thereof;
FIG. 31 is a top view thereof; and,
FIG. 32 is a bottom view thereof.
The broken lines in the Figures show portions of the display structure which form no part of the claimed design.

1 Claim, 24 Drawing Sheets



(56)

References Cited

U.S. PATENT DOCUMENTS

D406,964 S * 3/1999 Lewis D6/485
D427,814 S * 7/2000 Black D6/484
D427,815 S * 7/2000 Lewis D6/485
D465,936 S * 11/2002 Arnold D6/349
D466,337 S * 12/2002 Feng D6/485
D539,569 S * 4/2007 Lewis D6/484

D583,577 S * 12/2008 Wicha D6/349
D591,090 S * 4/2009 Judkins D6/484
D599,570 S * 9/2009 Skalka D6/355
D611,735 S * 3/2010 Stukenberg D6/484
D651,651 S * 1/2012 Beukema et al. D19/75
D659,415 S * 5/2012 Soto et al. D6/355
D693,610 S * 11/2013 Denby et al. D6/690
D694,557 S * 12/2013 Rodgers D6/675

* cited by examiner

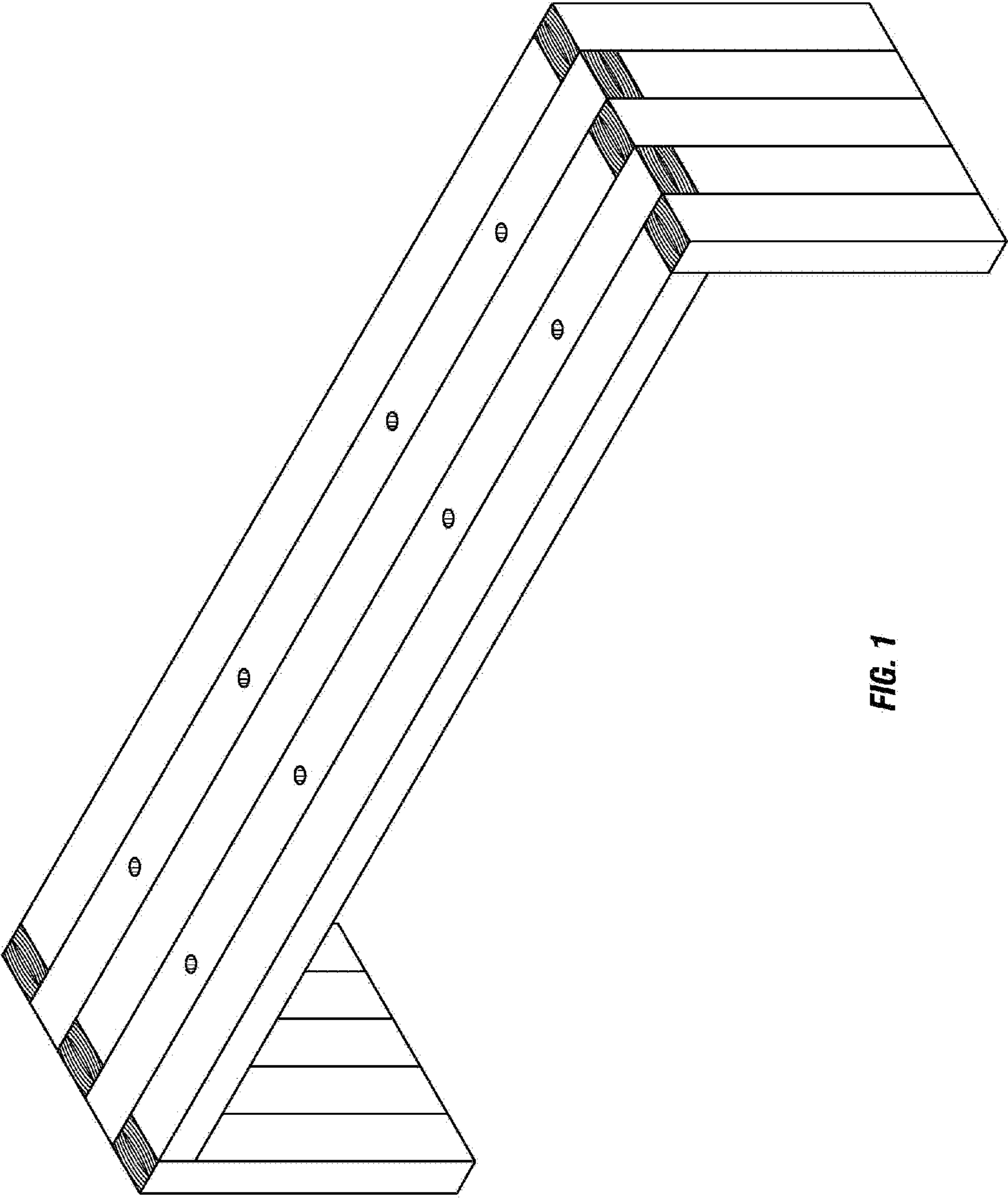


FIG. 1

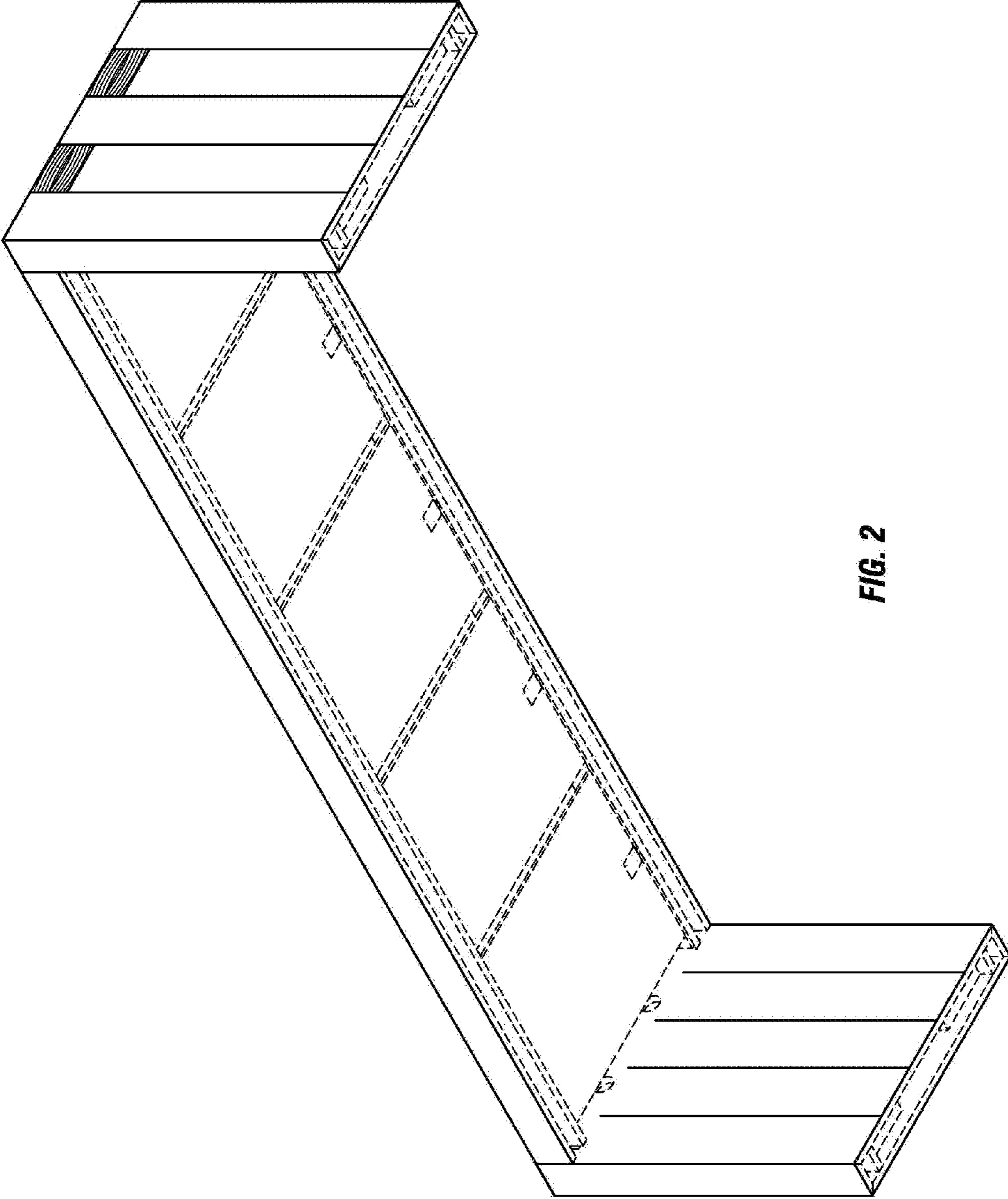


FIG. 2

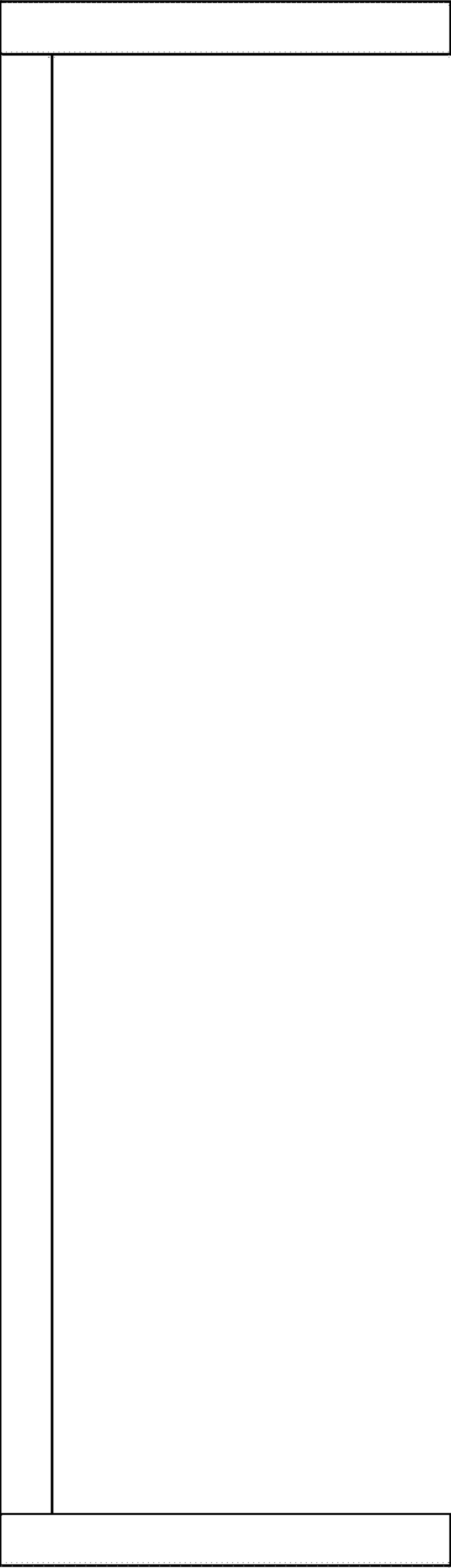
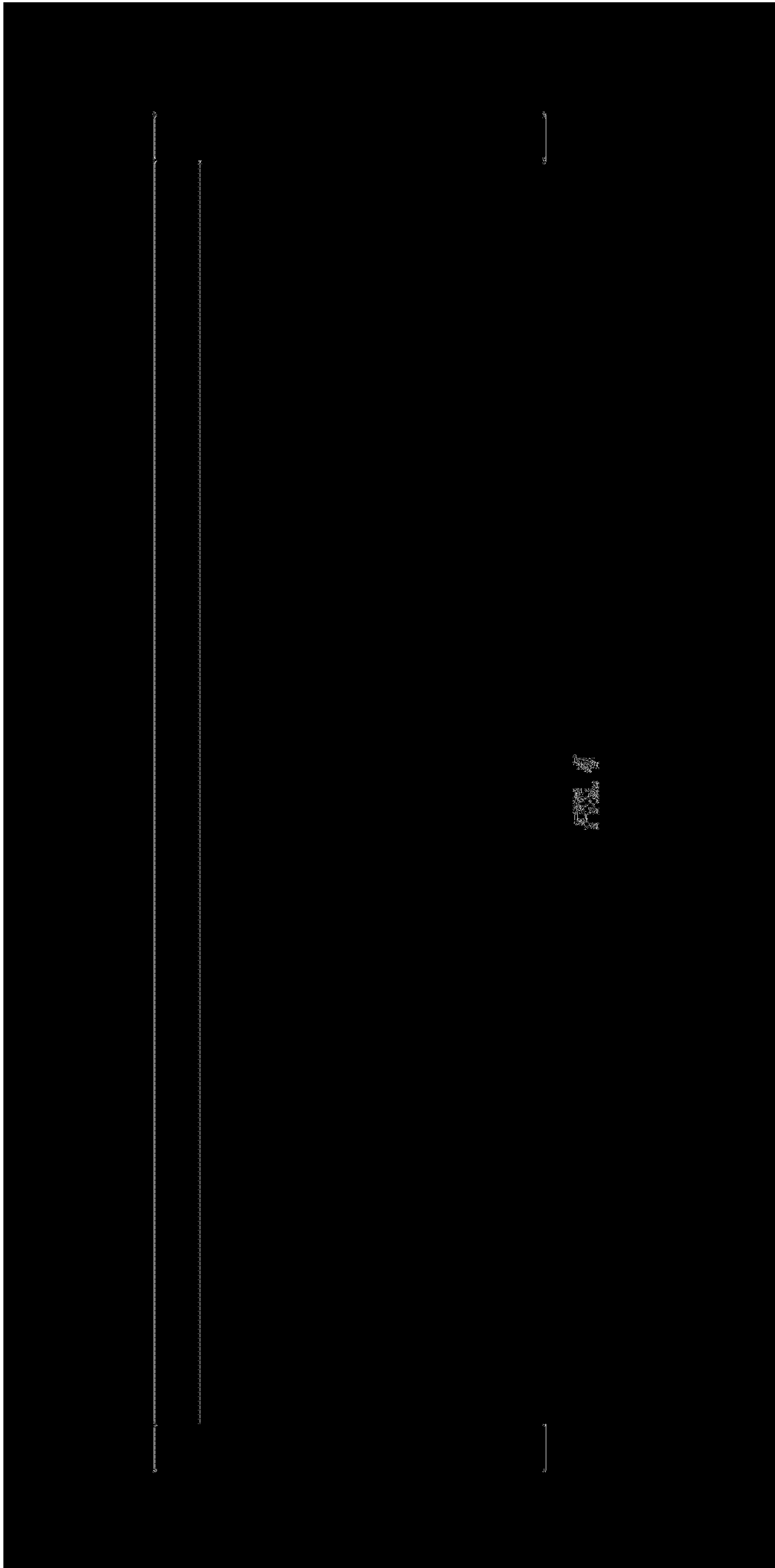


FIG. 3



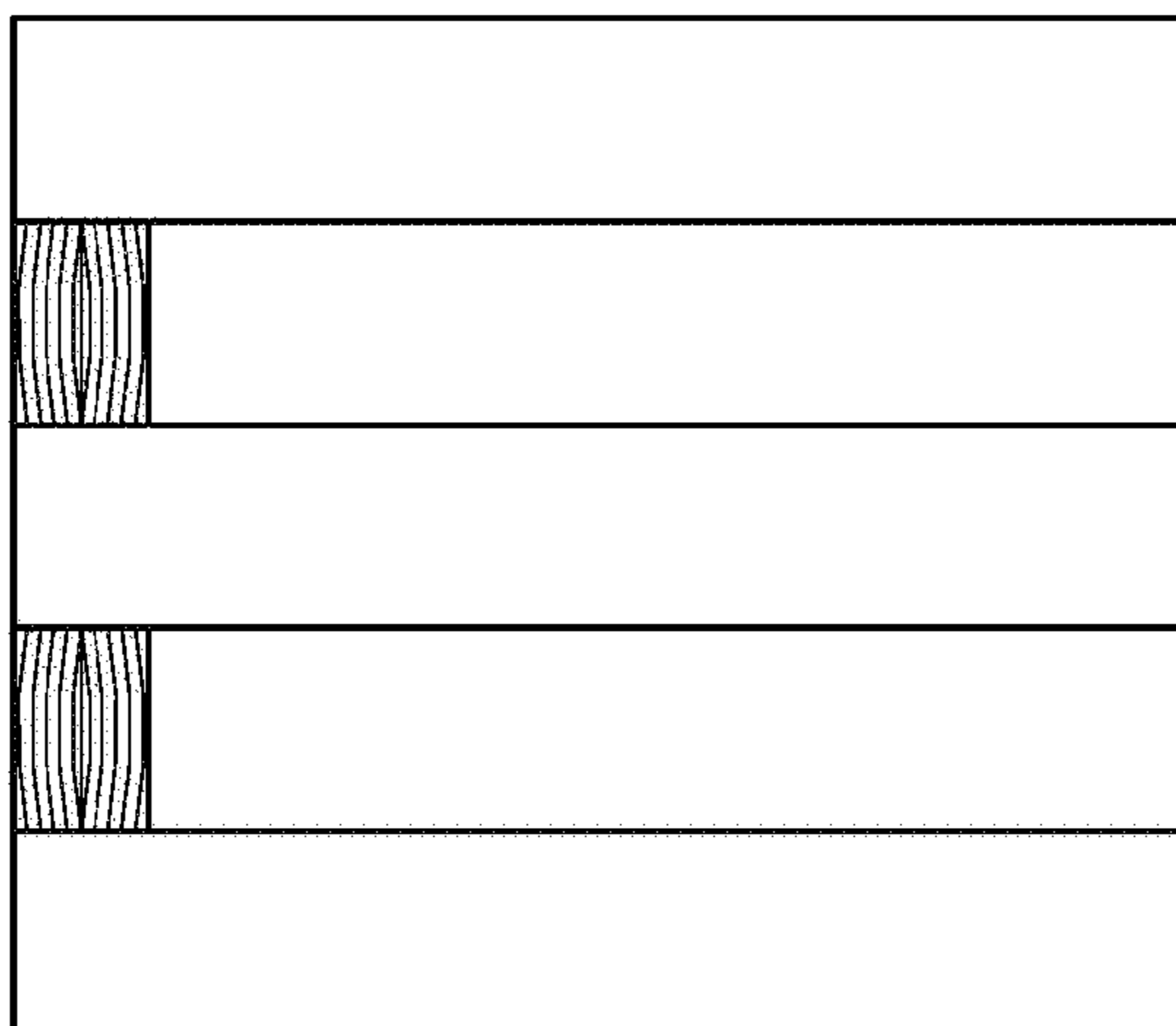


FIG. 6

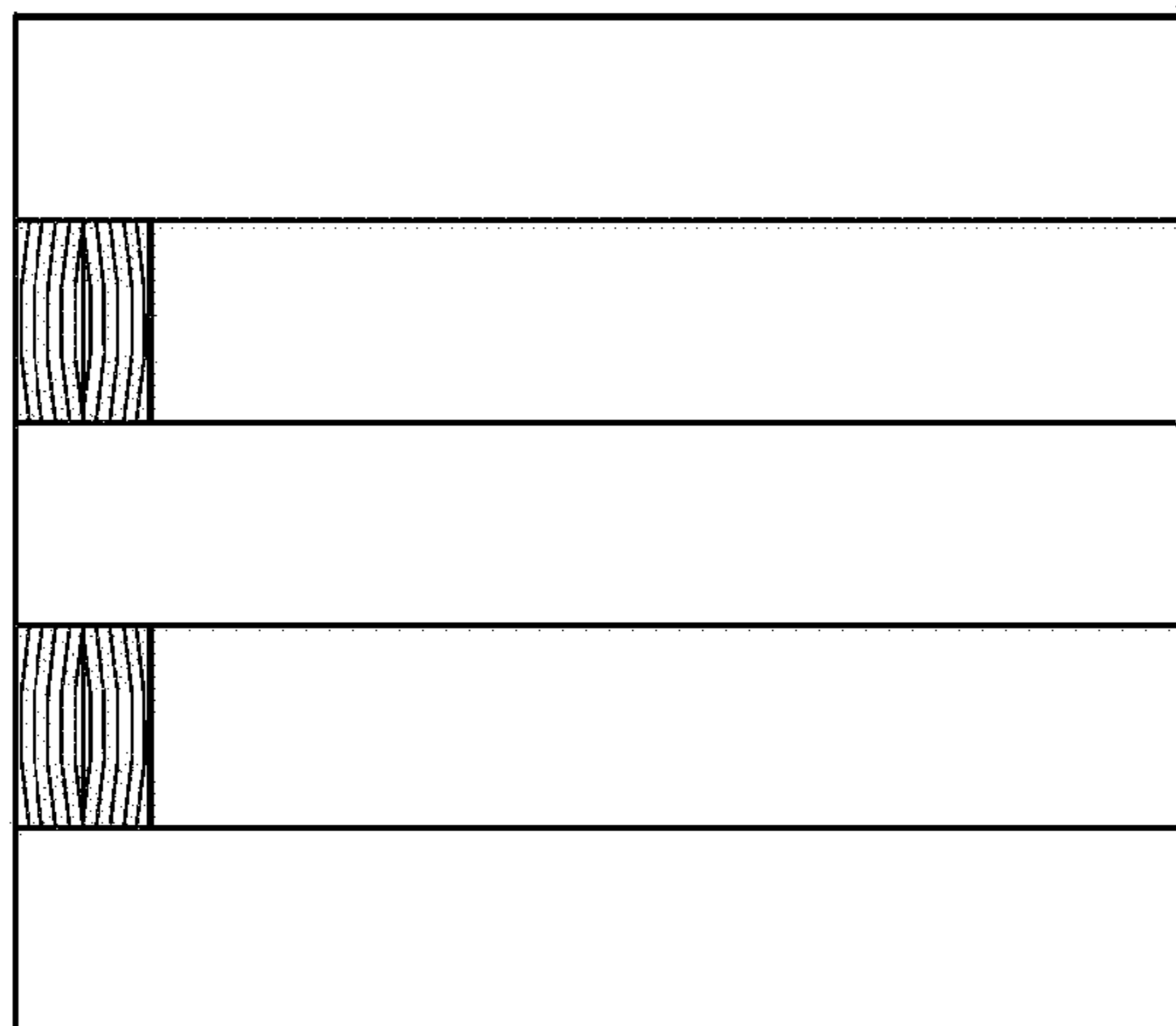


FIG. 5

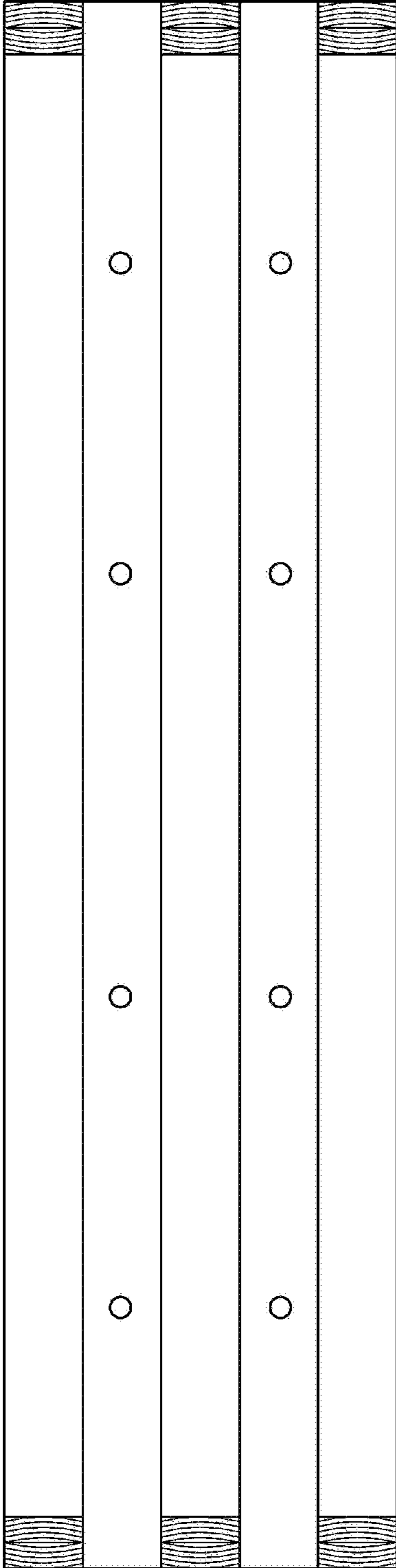


FIG. 7

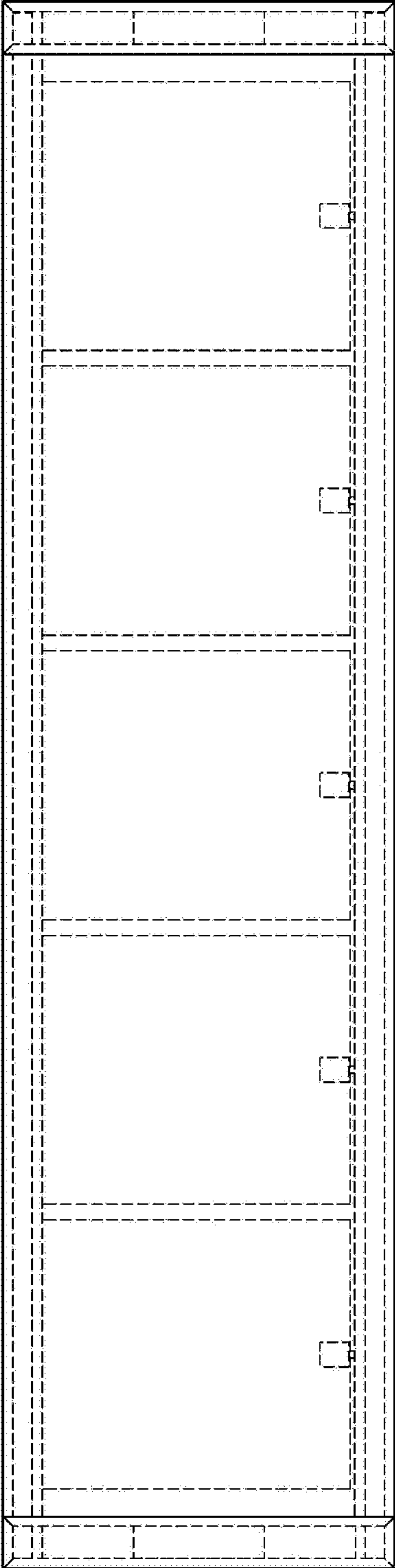


FIG. 8

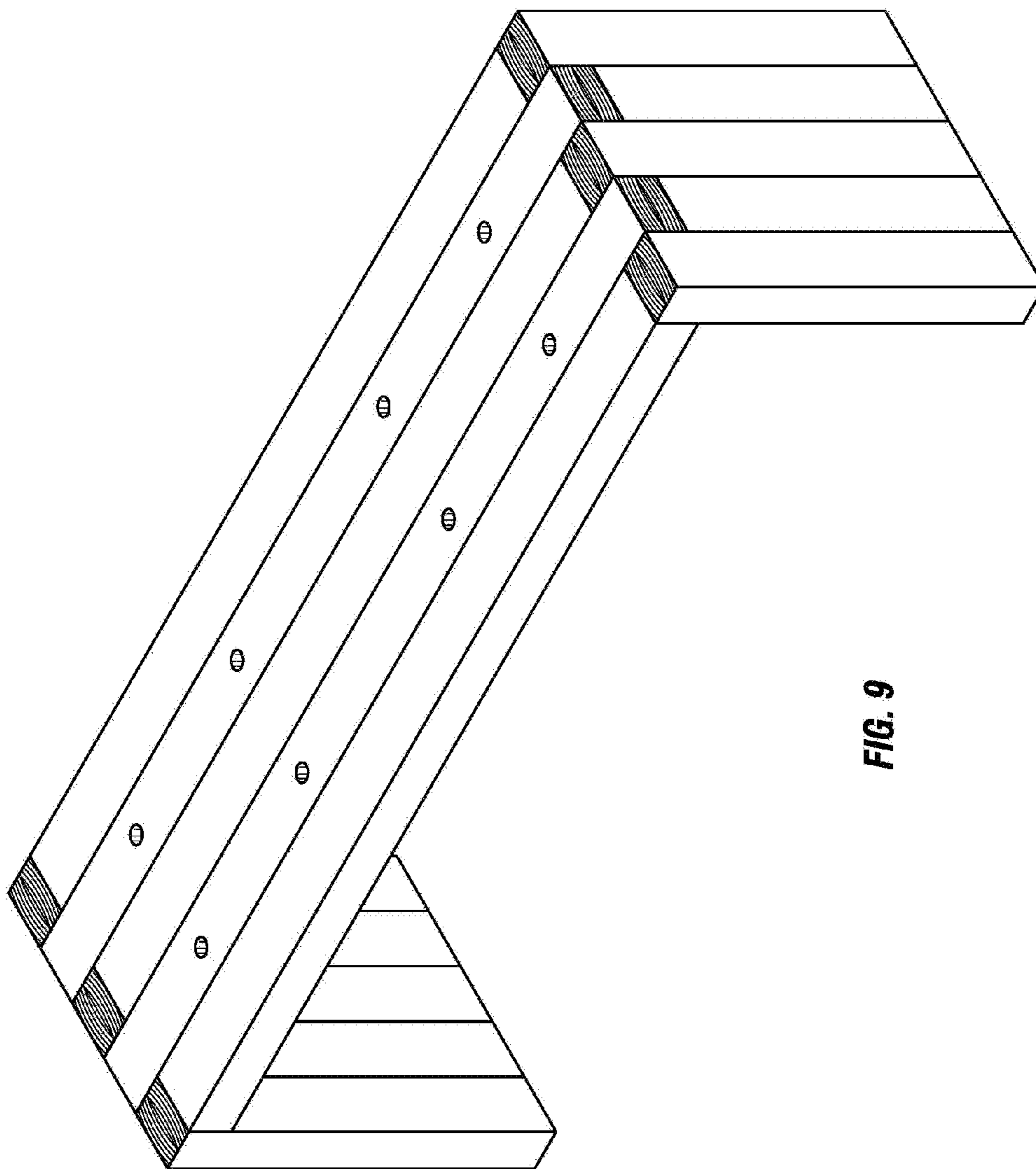


FIG. 9

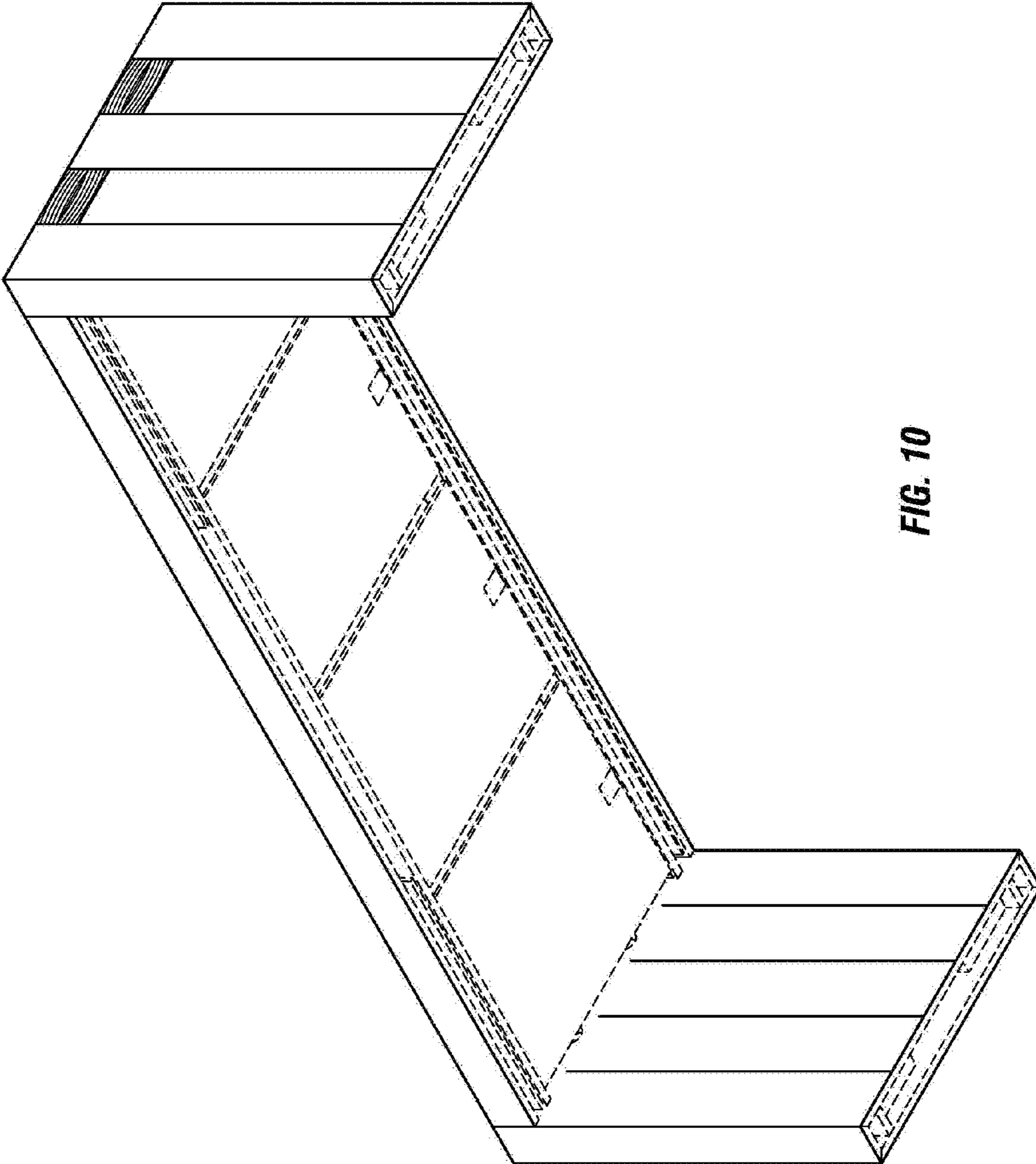


FIG. 10

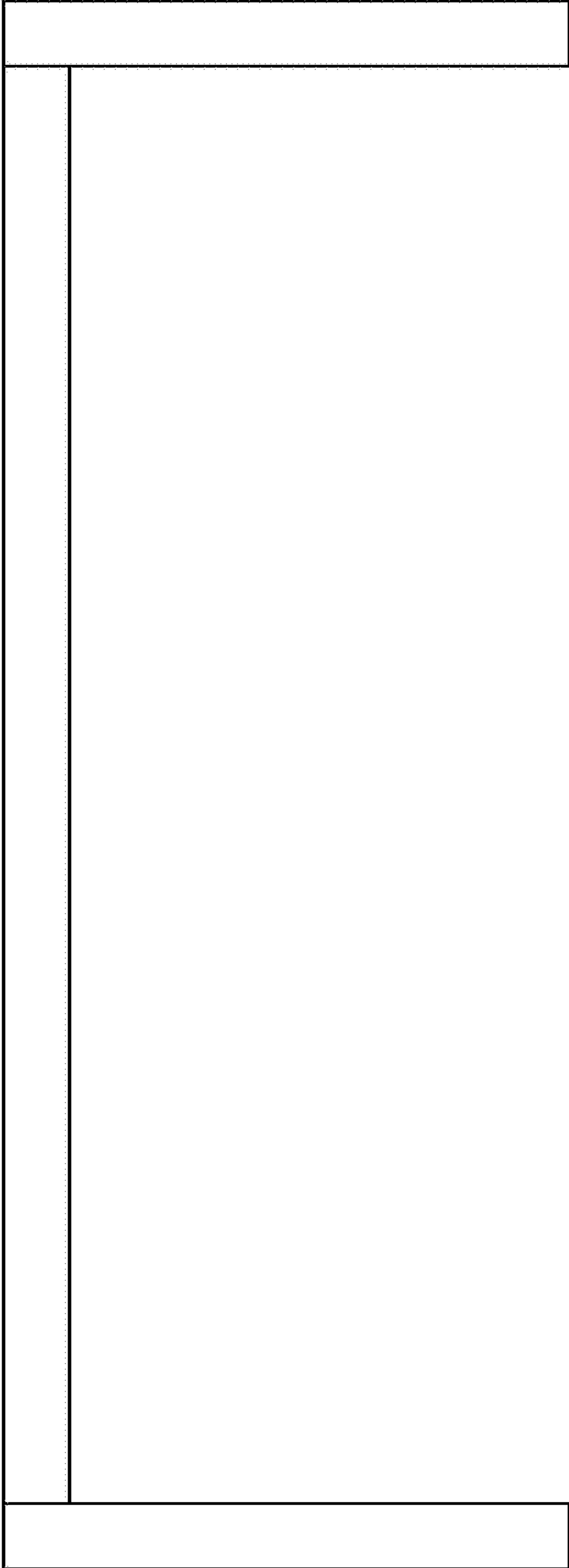


FIG. 11

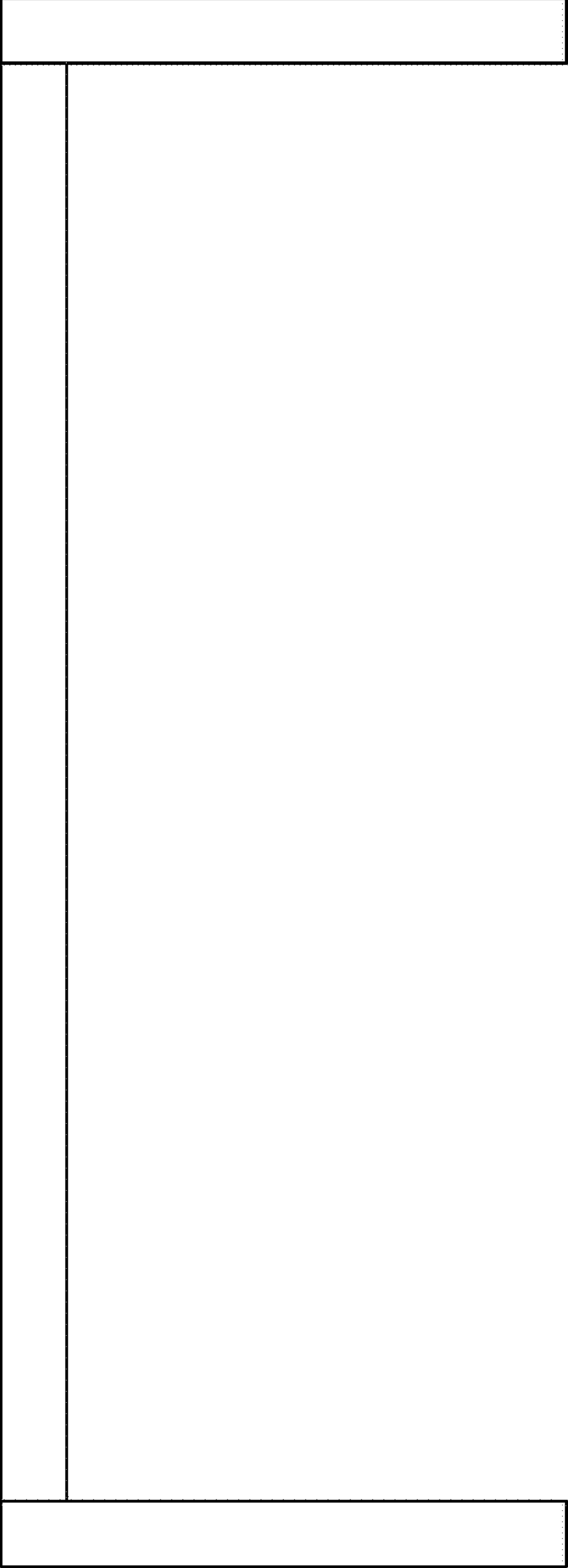


FIG. 12

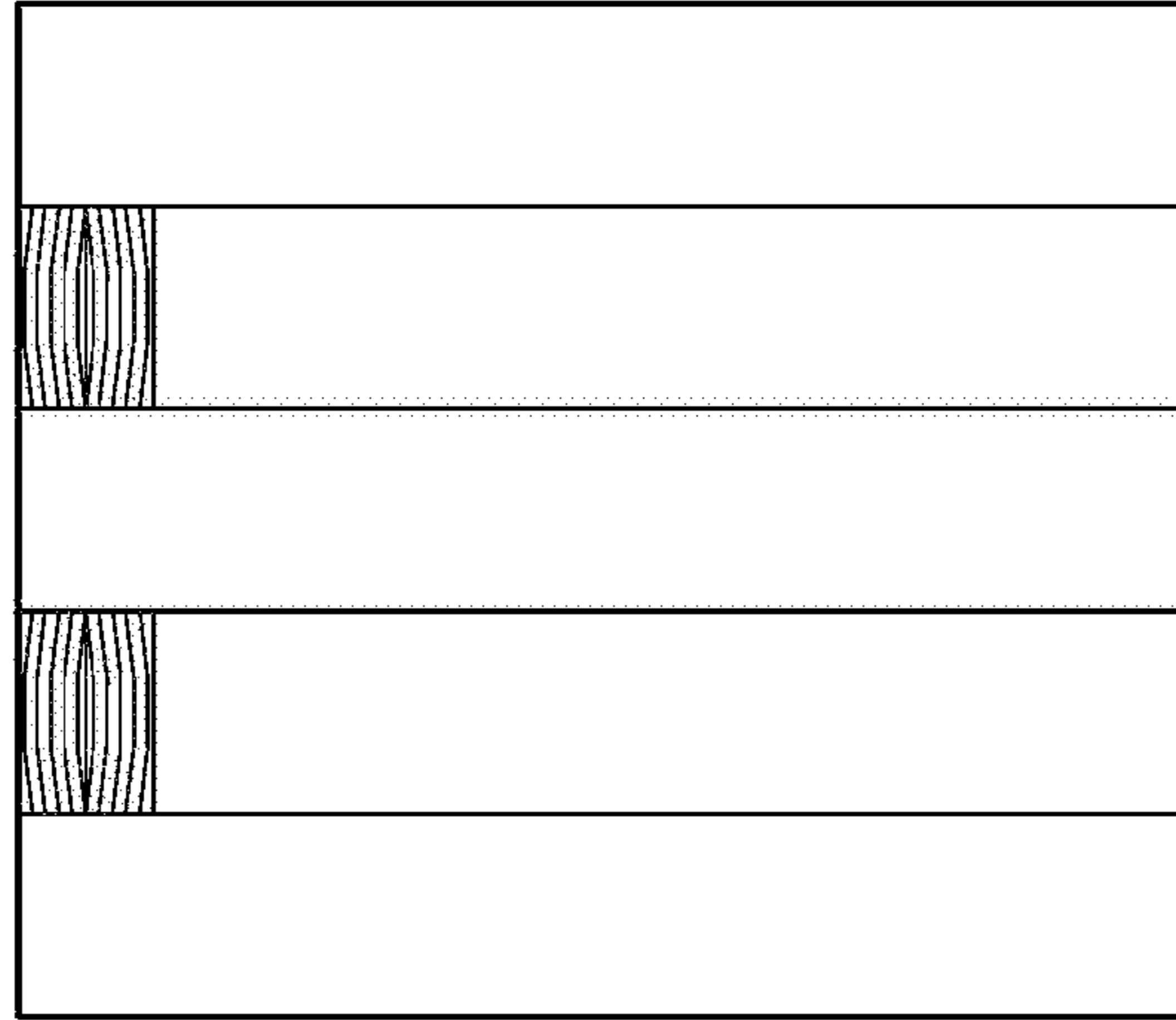


FIG. 14

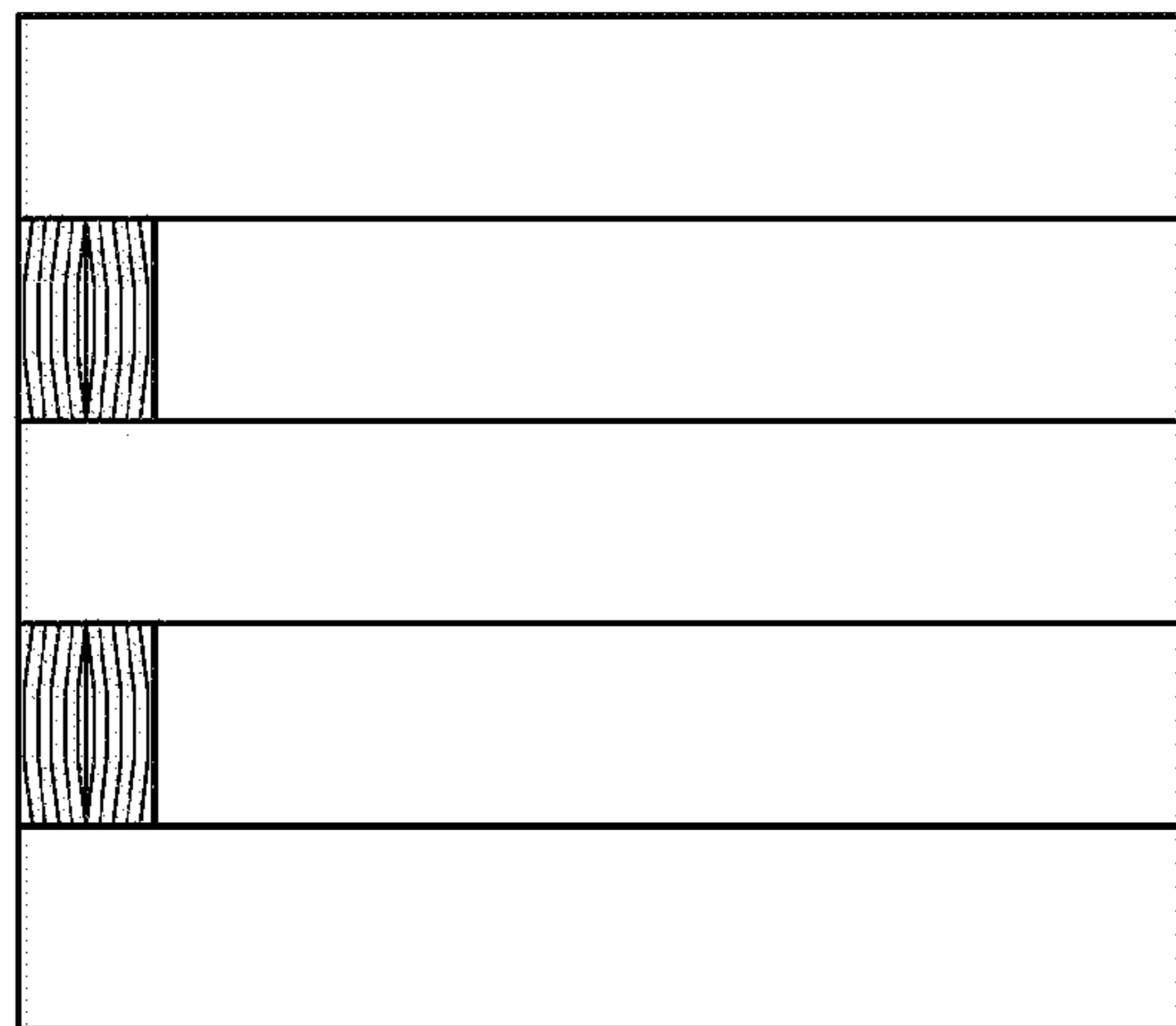


FIG. 13

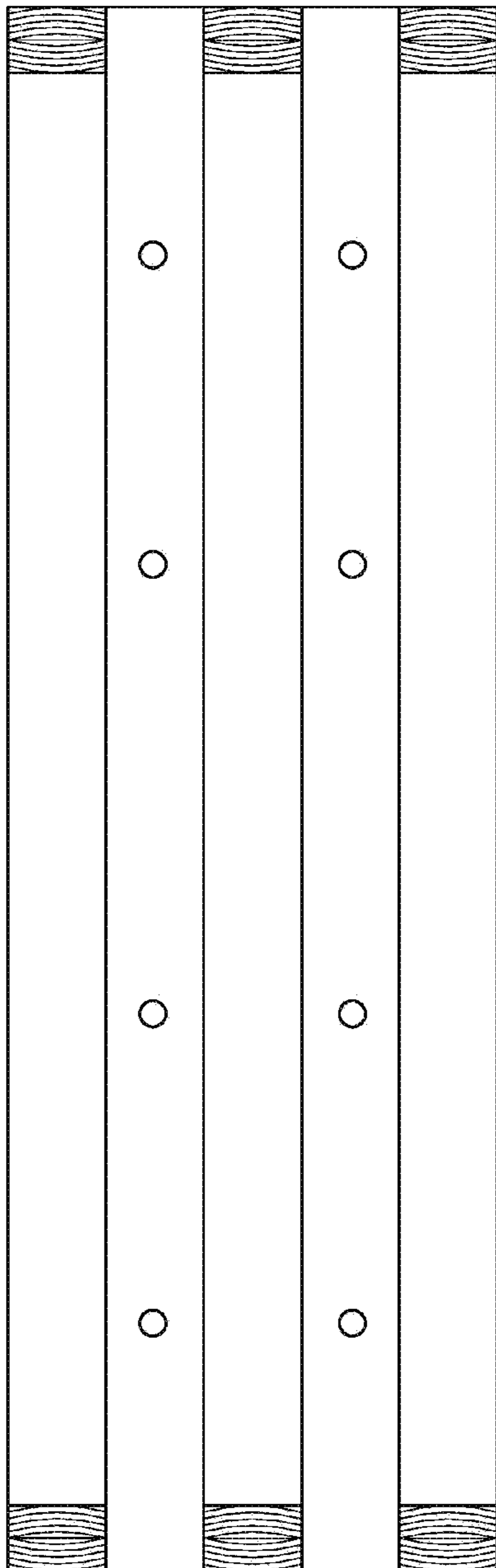


FIG. 15

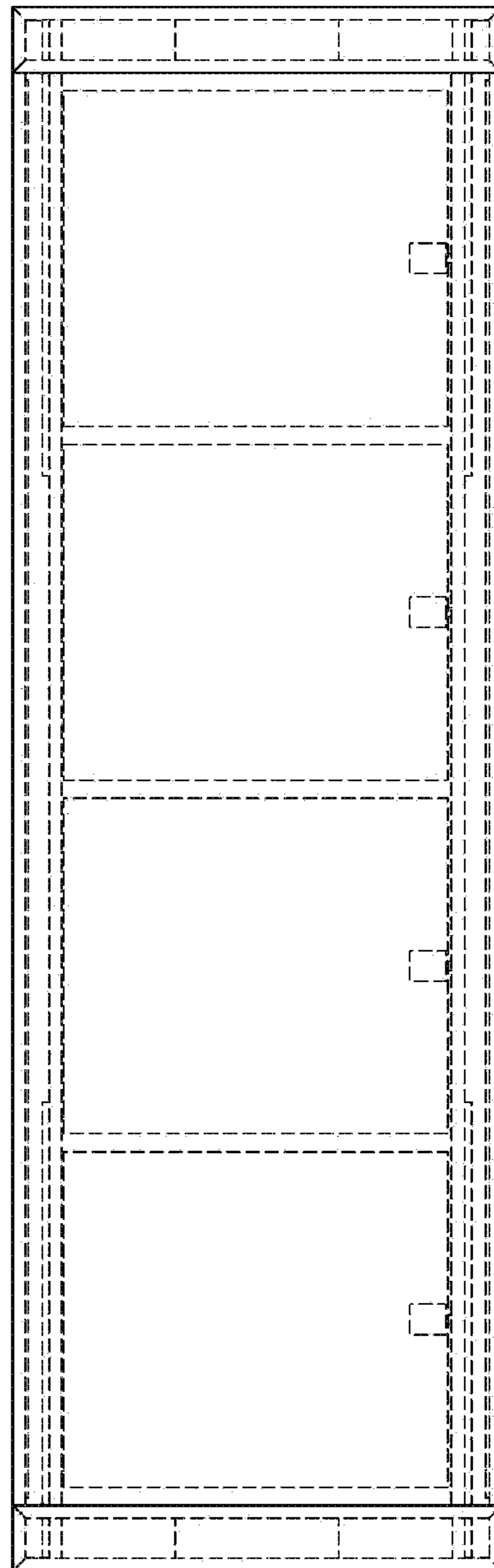


FIG. 16

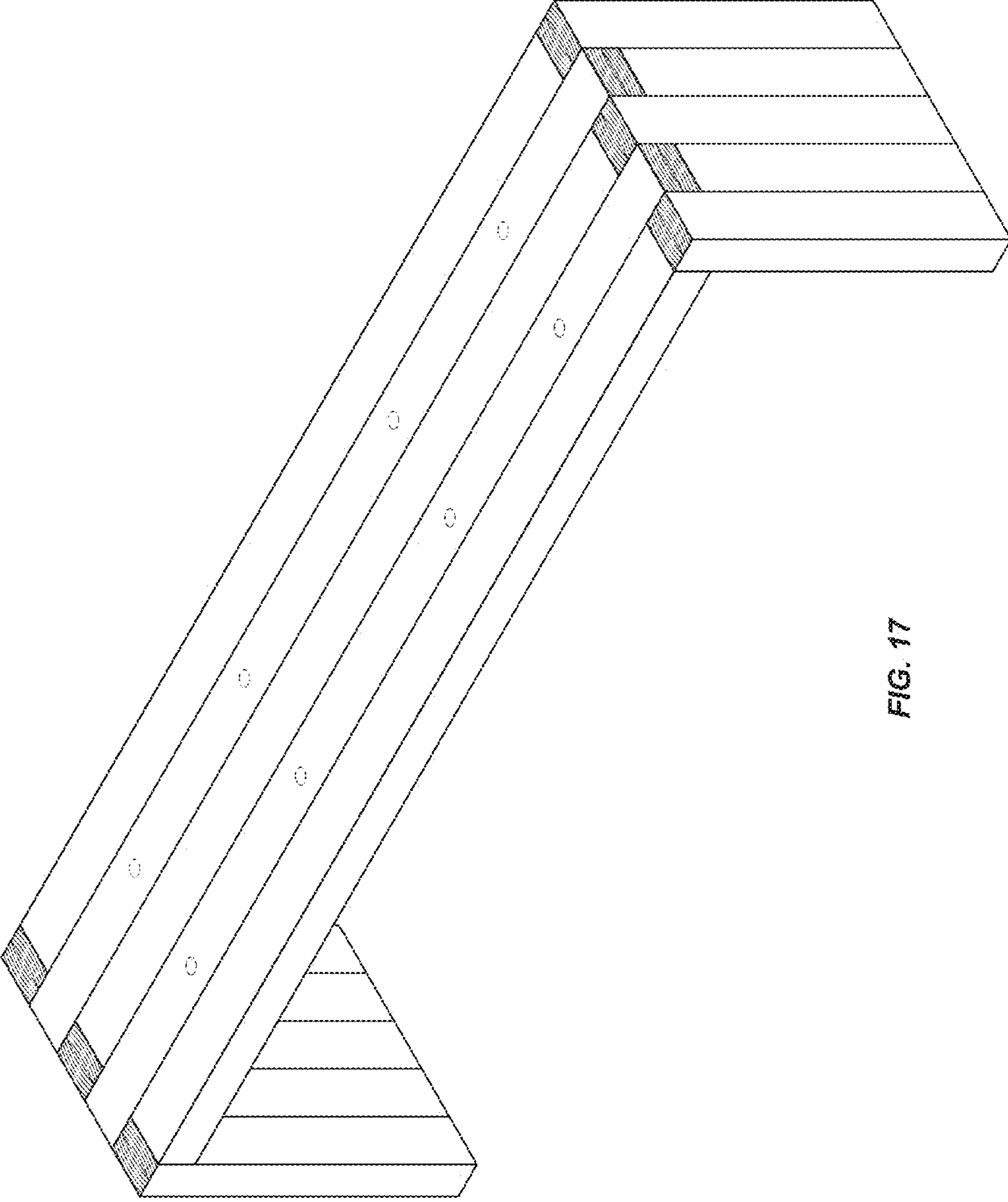


FIG. 17

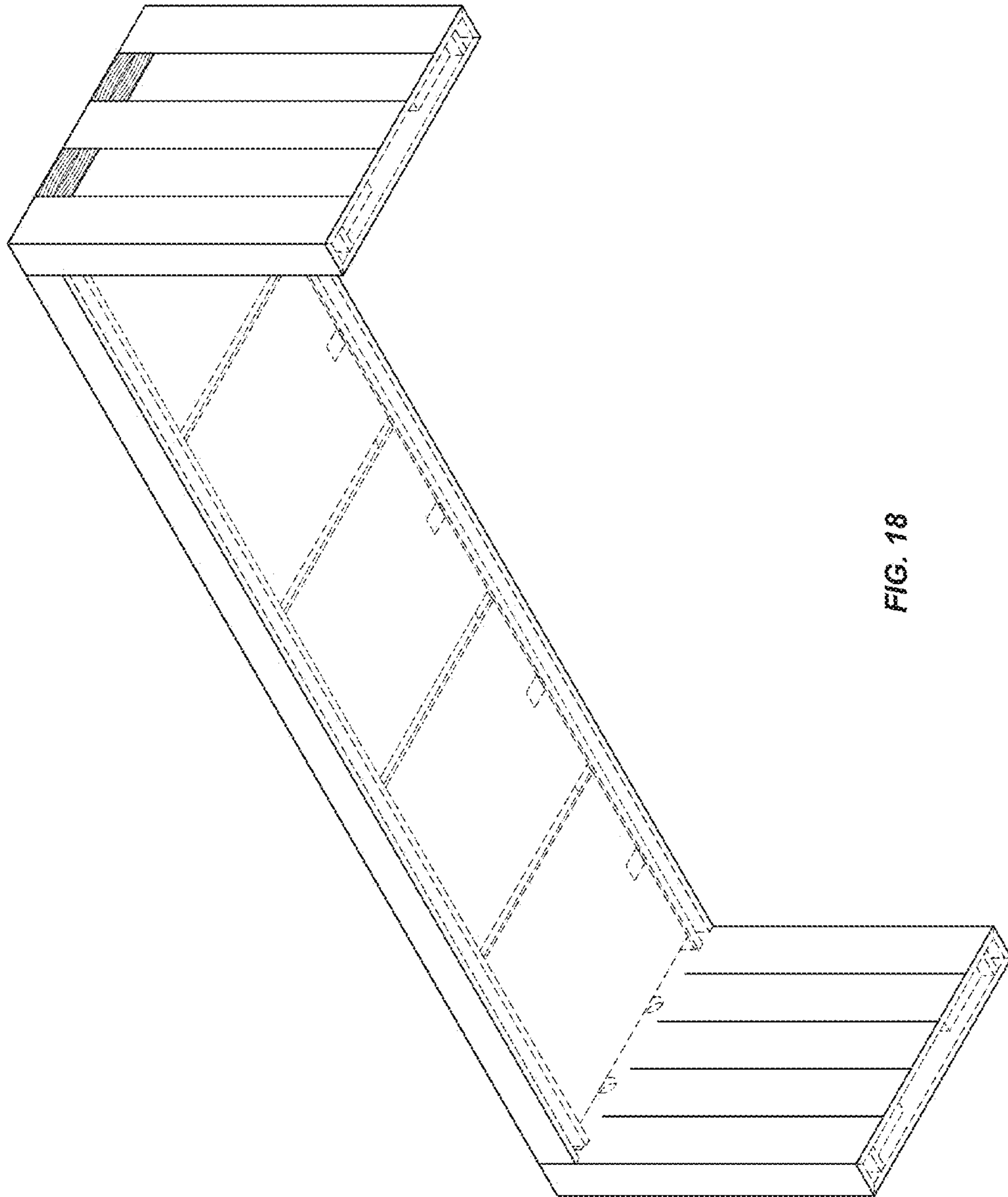


FIG. 18

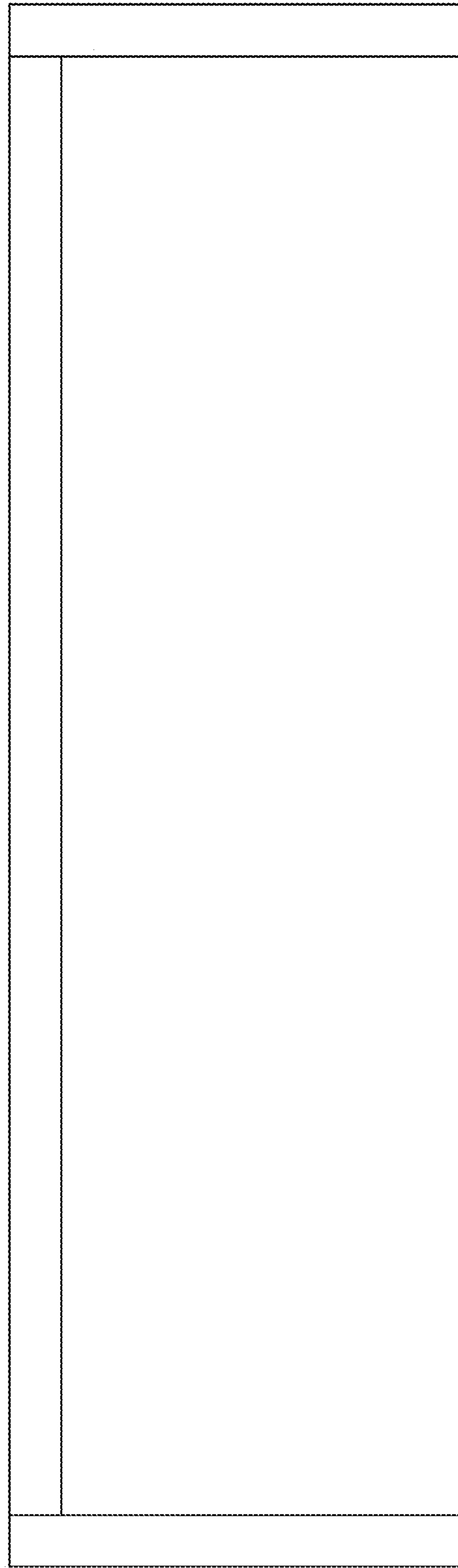


FIG. 19

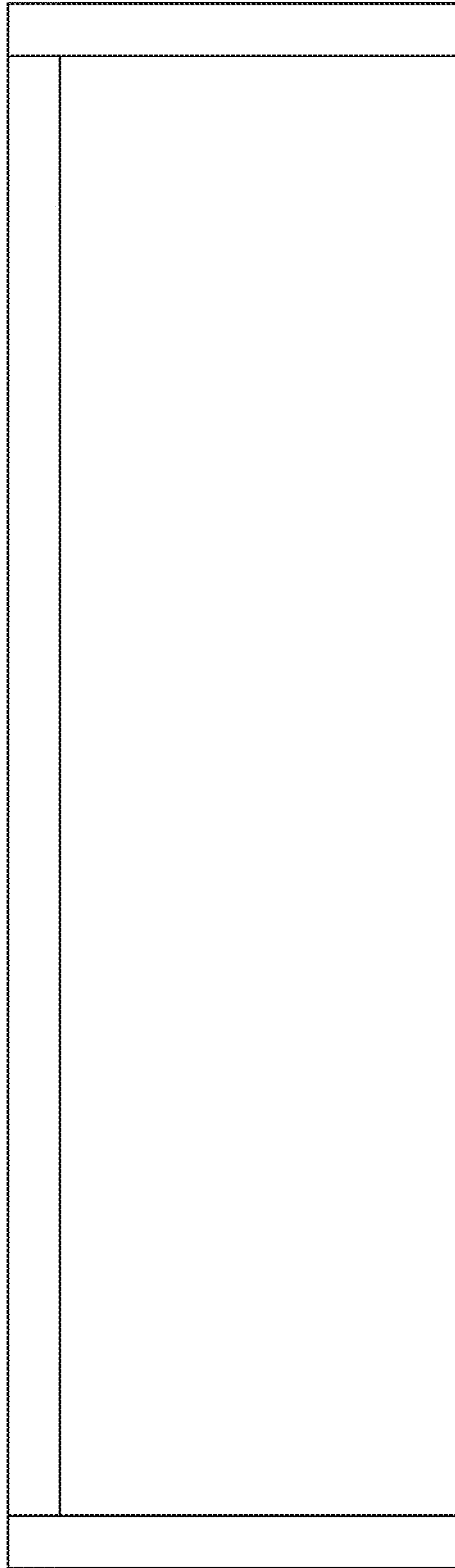


FIG. 20

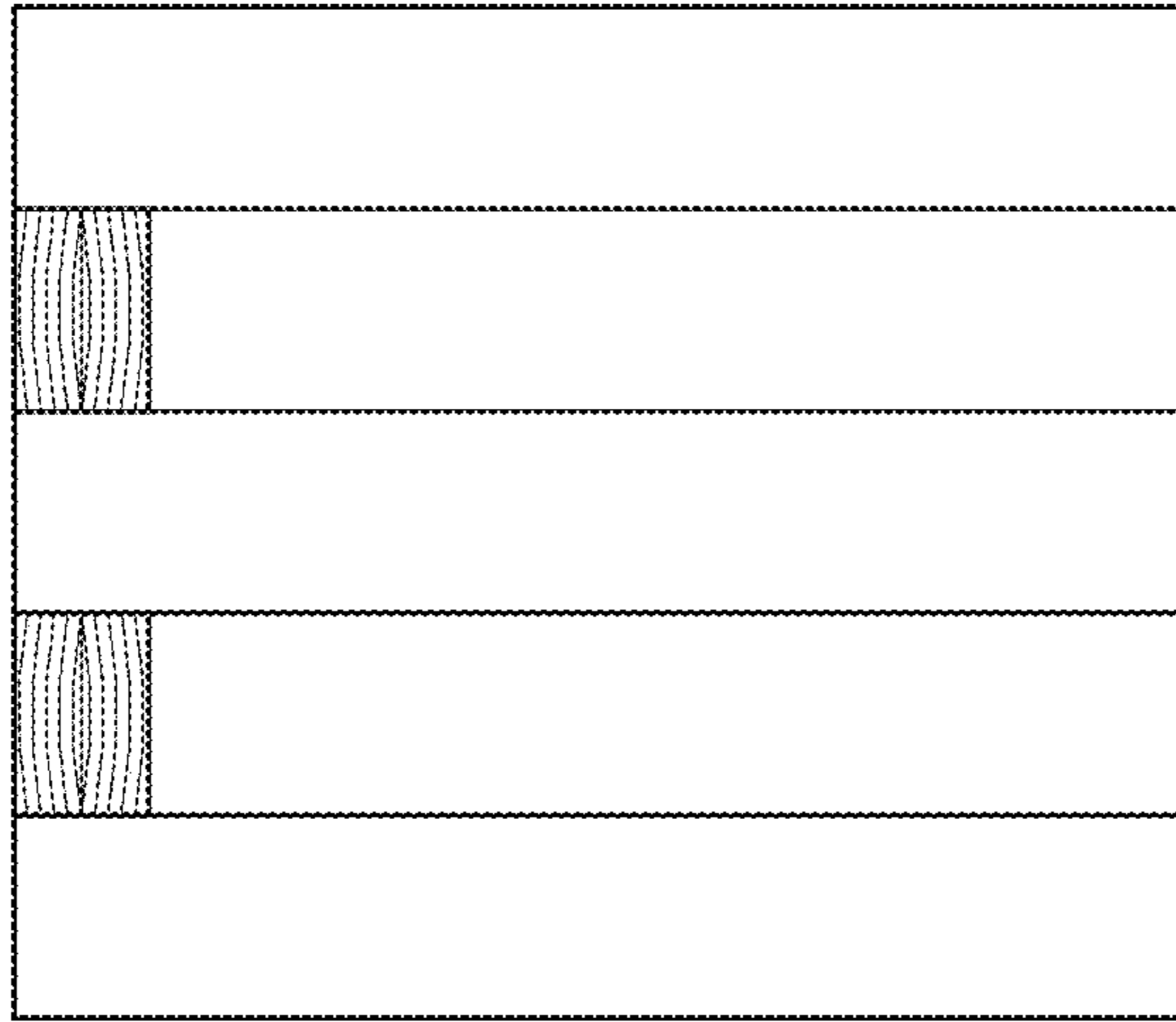


FIG. 22

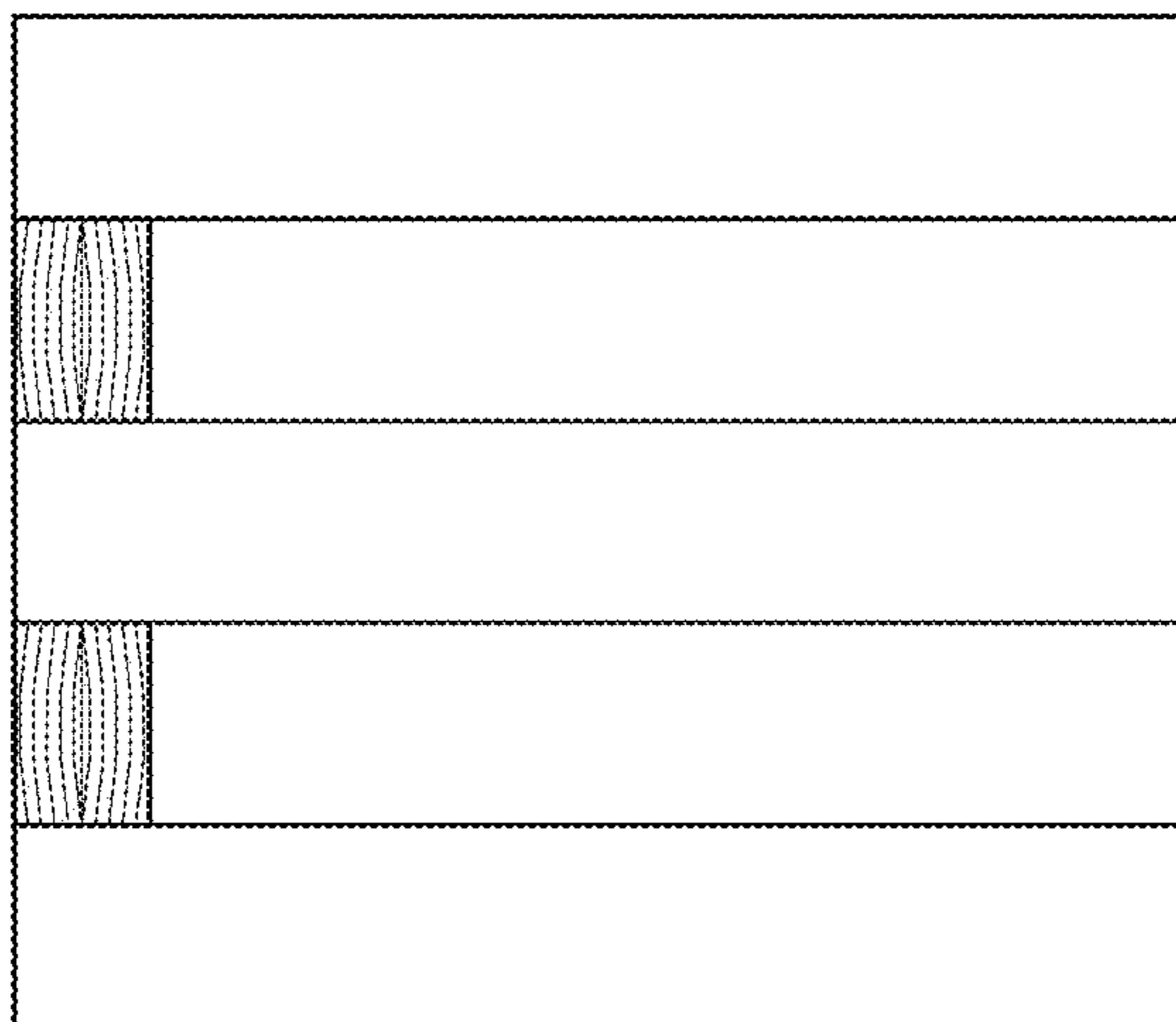


FIG. 21

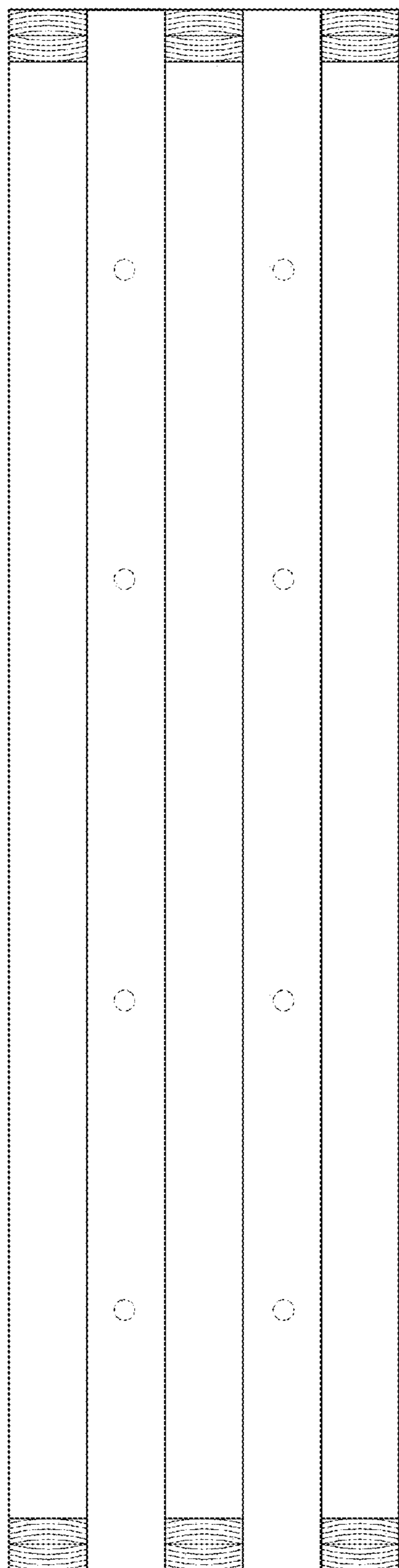


FIG. 23

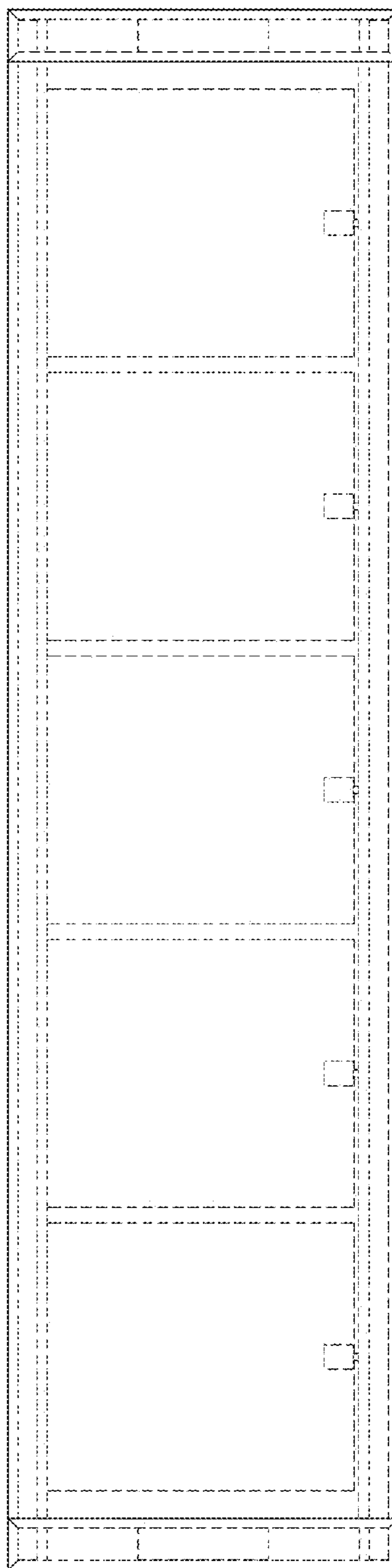


FIG. 24

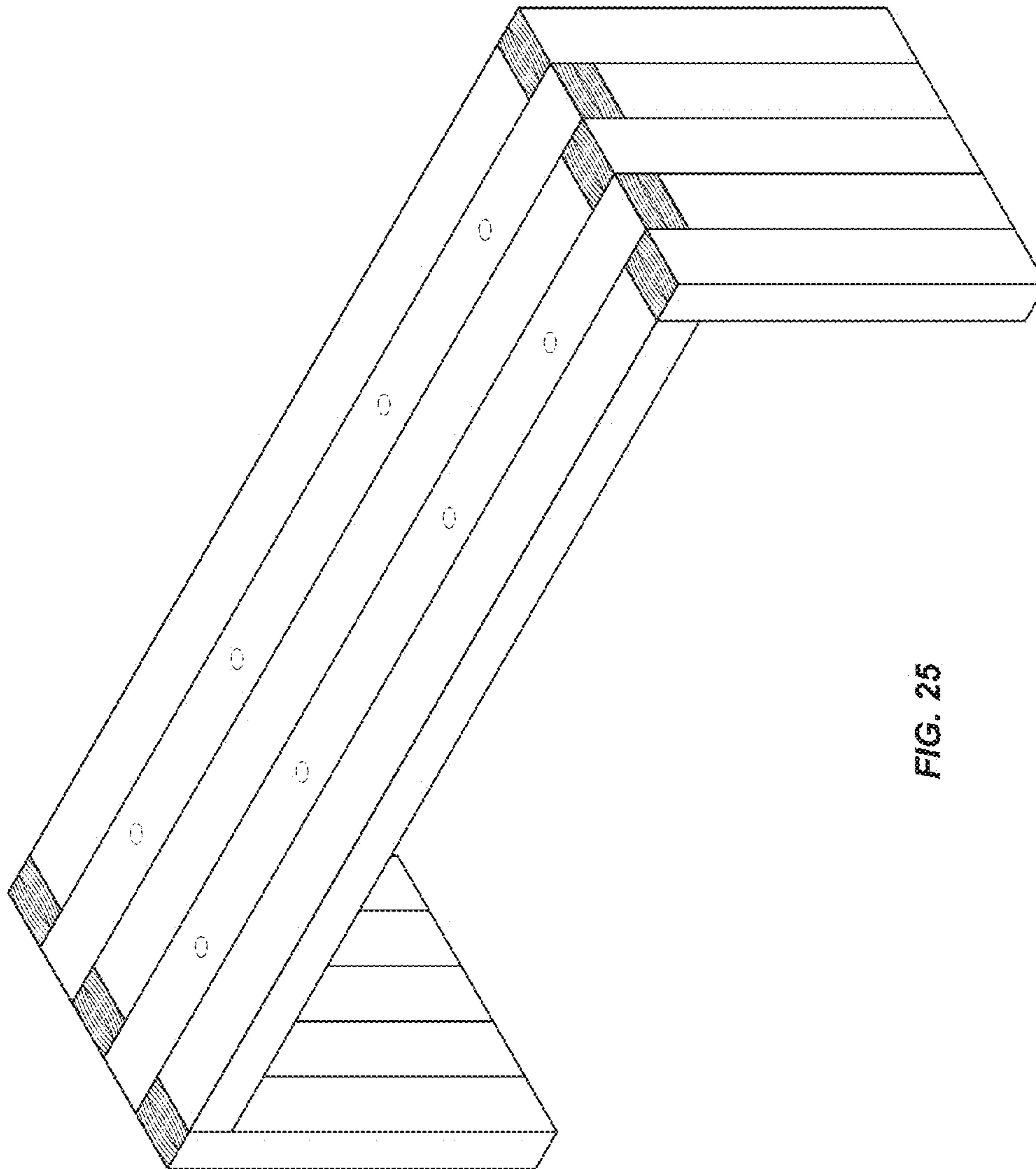


FIG. 25

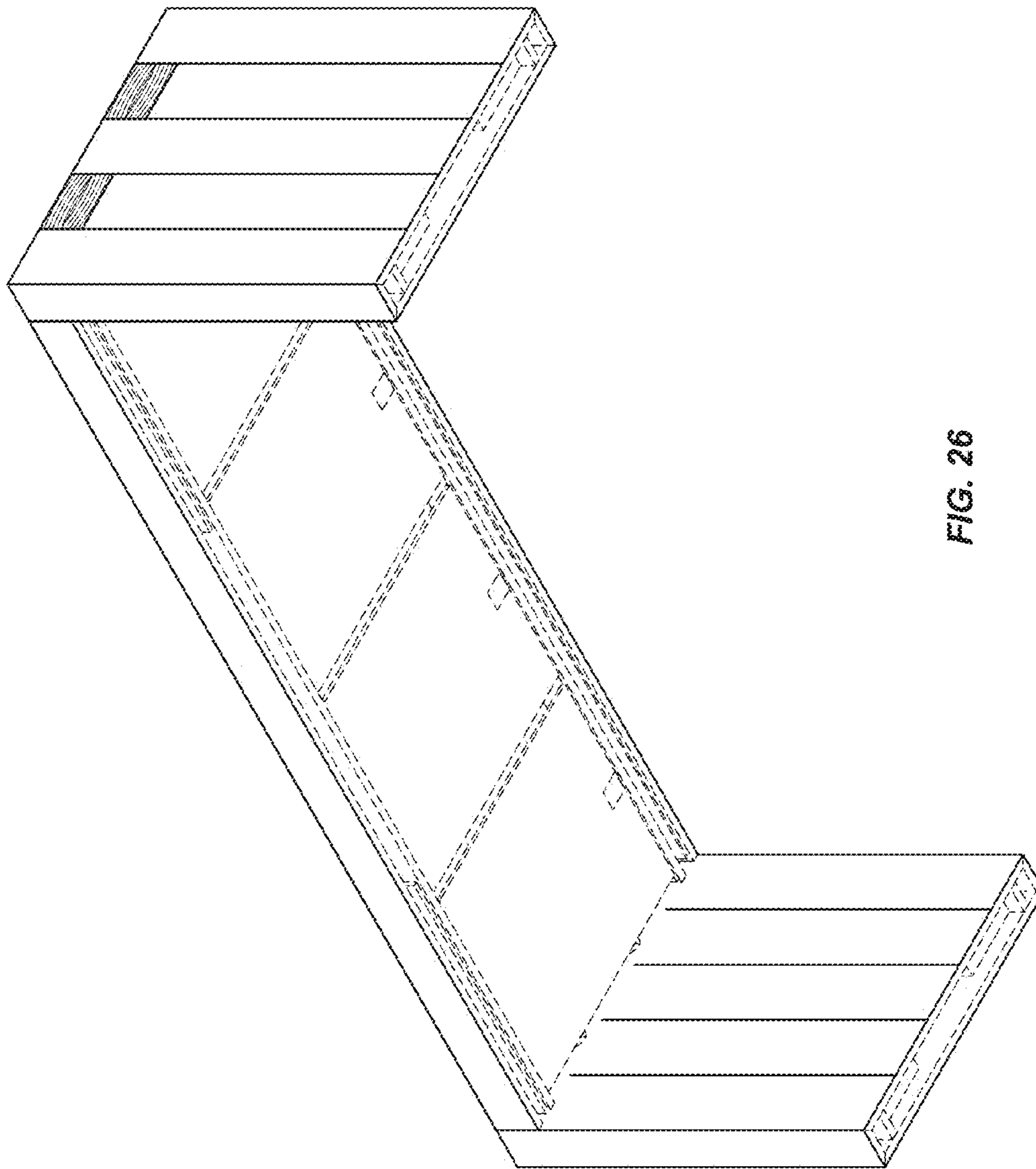


FIG. 26

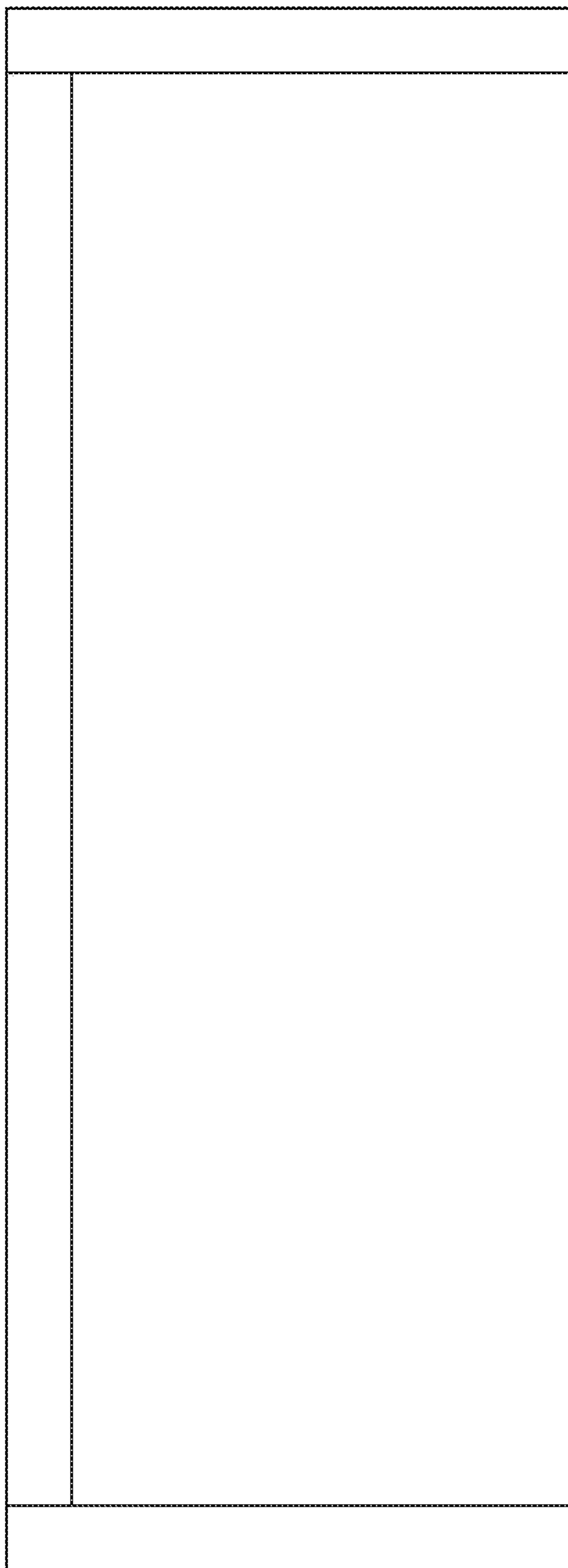


FIG. 27

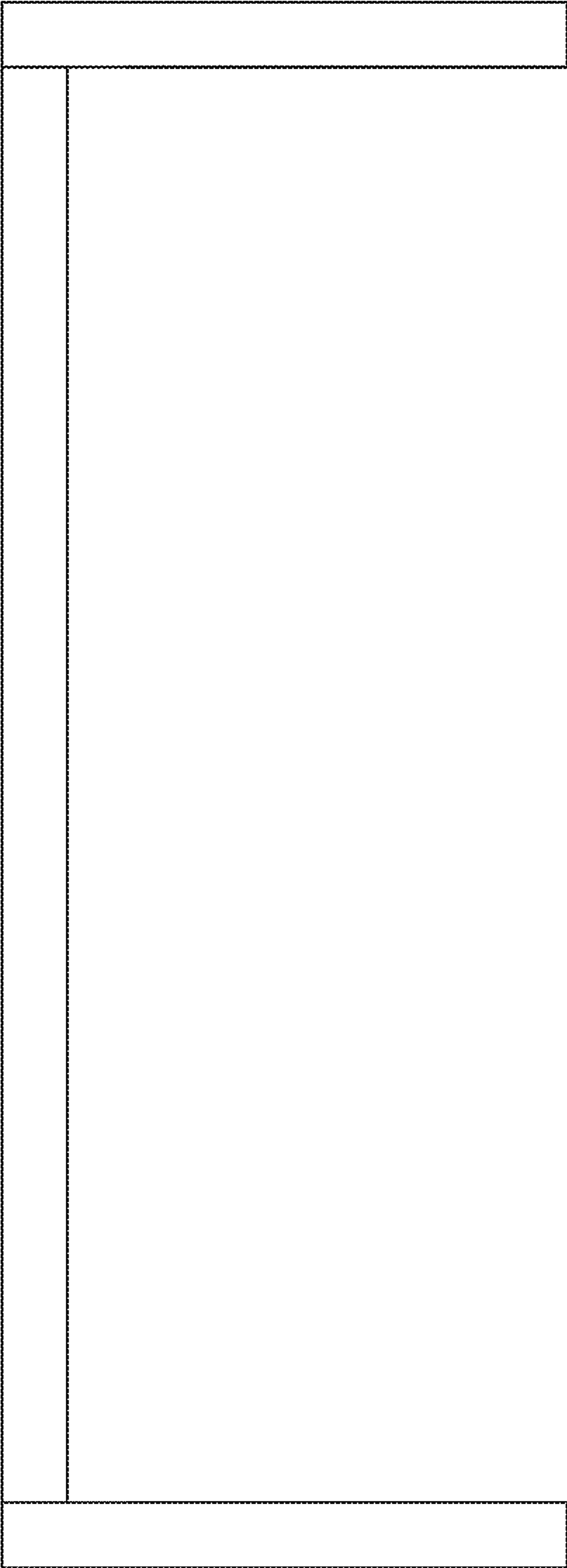


FIG. 28

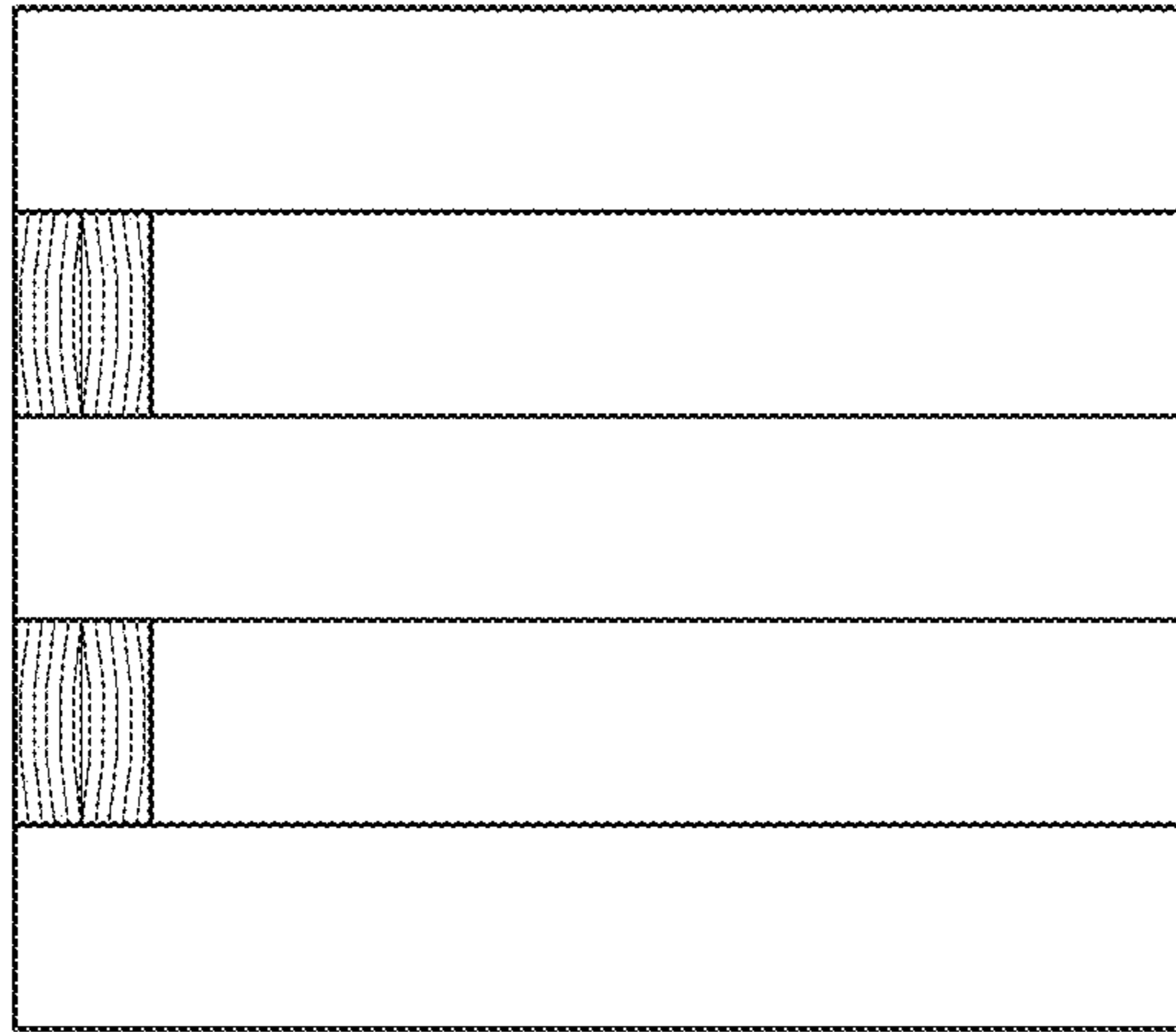


FIG. 30

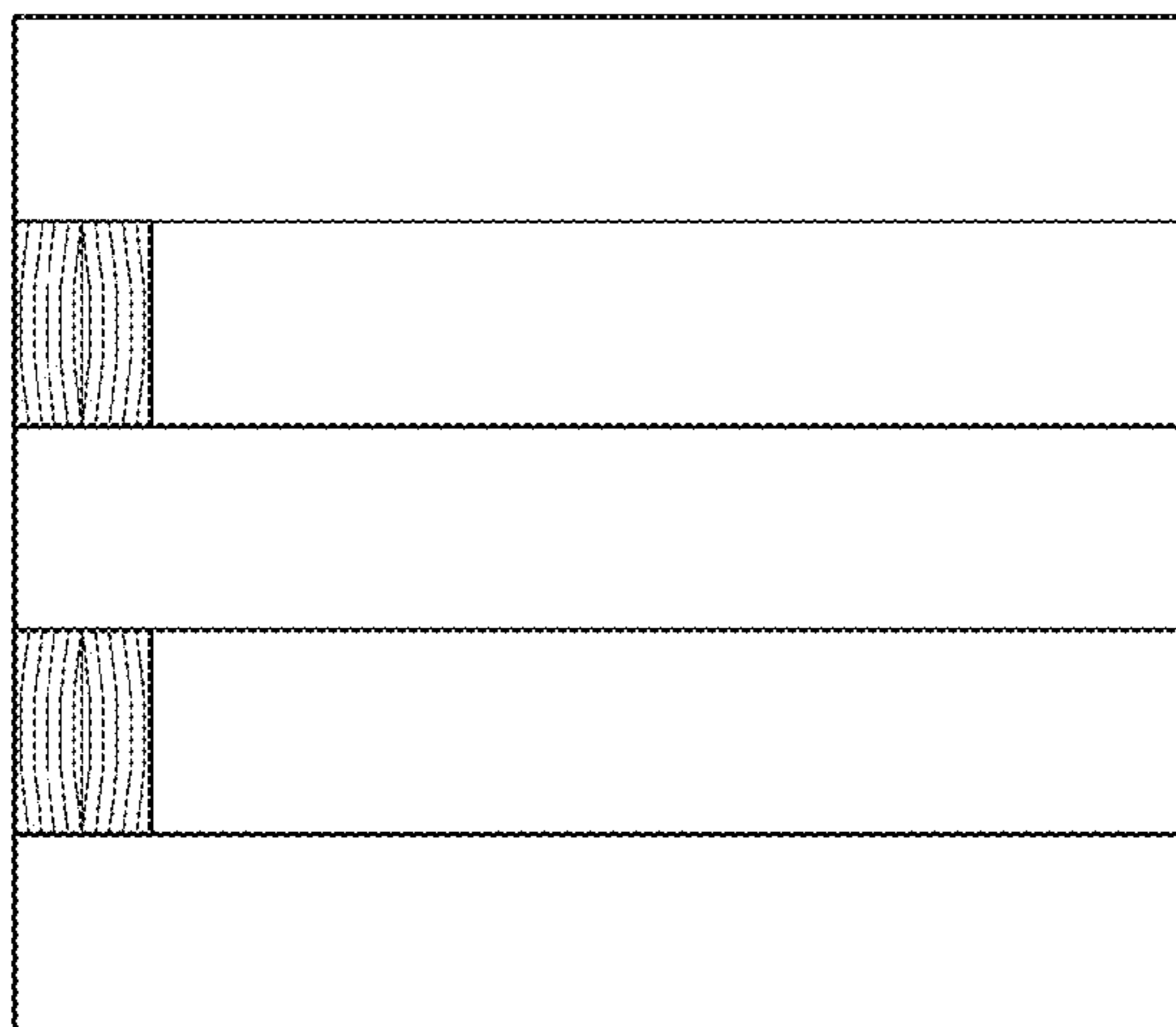


FIG. 29

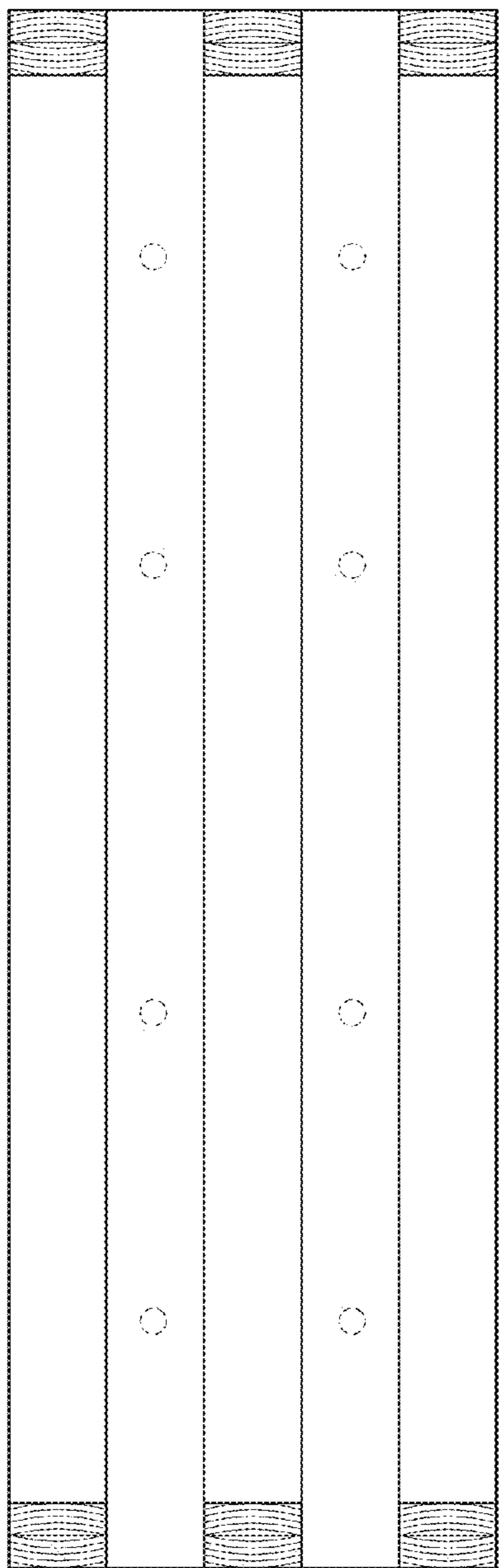


FIG. 31

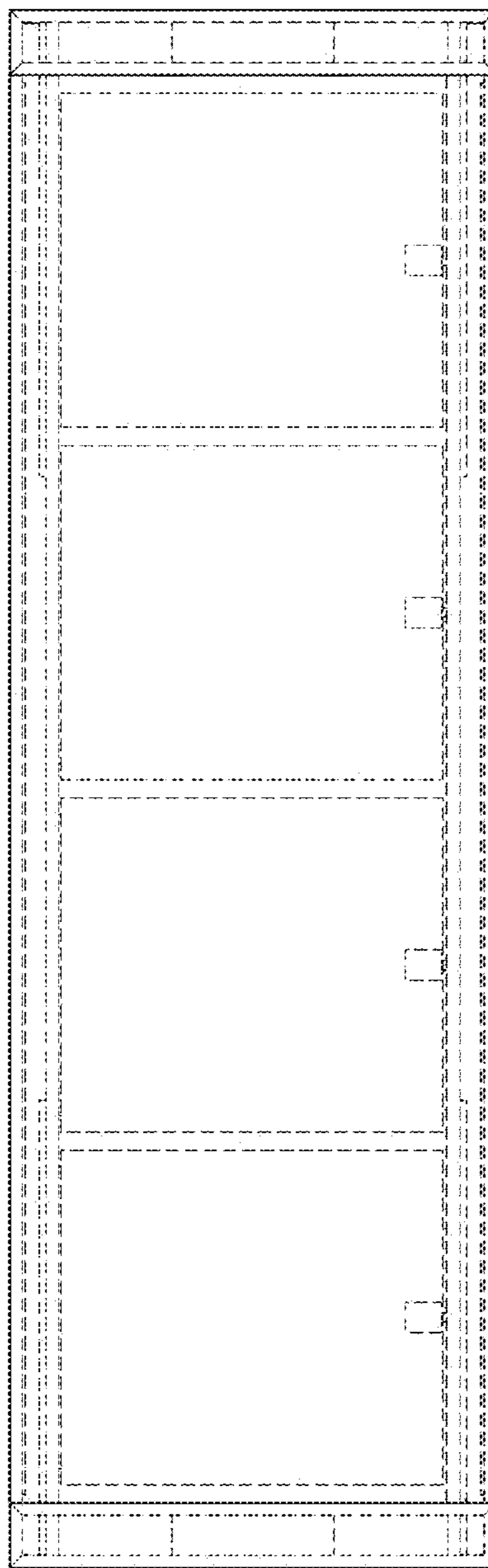


FIG. 32