



US00D728270S

(12) **United States Design Patent**  
**Hauer**

(10) **Patent No.:** **US D728,270 S**  
(45) **Date of Patent:** **\*\* May 5, 2015**

(54) **TRAVEL PILLOW**  
(71) Applicant: **HauerDesigns LLC**, Cincinnati, OH  
(US)

5,860,177 A 1/1999 Jung  
5,975,638 A 11/1999 Schreiner  
6,067,777 A \* 5/2000 Stoll ..... 53/442

(Continued)

(72) Inventor: **Jeff L. Hauer**, Cincinnati, OH (US)  
(73) Assignee: **HauerDesigns LLC**, Cincinnati, OH  
(US)

FOREIGN PATENT DOCUMENTS

GB 2313050 11/1997

OTHER PUBLICATIONS

International Search Authority/US , International Search Report,  
Written Opinion Of the International Searching Authority, May 21,  
2014, Alexandria, Virginia.

(\*\*) Term: **14 Years**  
(21) Appl. No.: **29/462,712**

*Primary Examiner* — Mary Ann Calabrese  
*Assistant Examiner* — Nathaniel D Buckner  
(74) *Attorney, Agent, or Firm* — Wood, Herron & Evans,  
LLP

(22) Filed: **Aug. 7, 2013**  
(51) **LOC (10) Cl.** ..... **06-09**  
(52) **U.S. Cl.**  
USPC ..... **D6/601**

(57) **CLAIM**  
The ornamental design for a travel pillow, as shown and  
described.

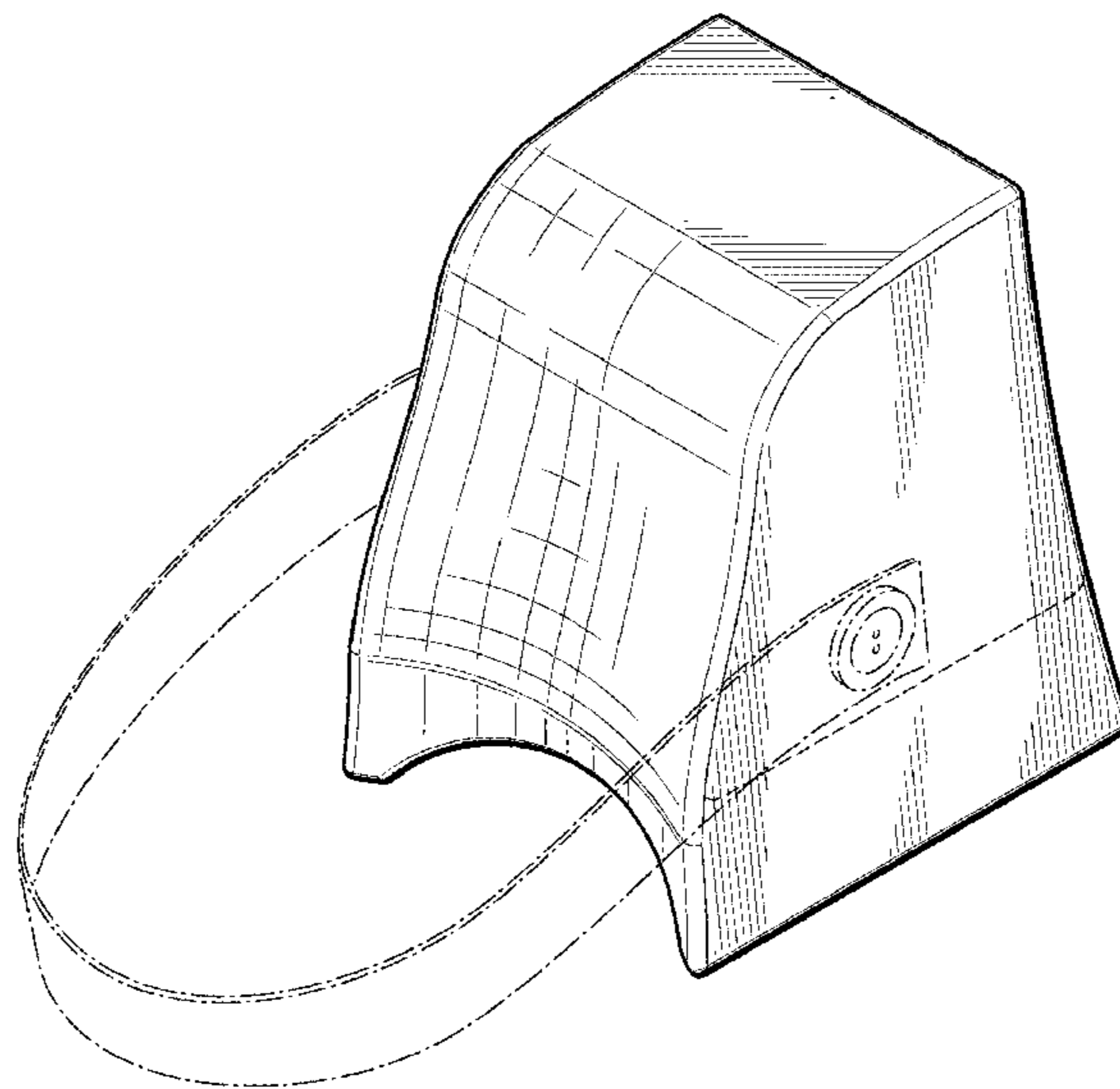
(58) **Field of Classification Search**  
CPC ..... A47G 9/10; A47G 9/1009; A47G  
2009/1018; A47G 9/1027; A47G 9/1036;  
A47G 9/1045; A47G 9/1063; A47G 9/1072;  
A47G 9/1081; A47G 9/109  
USPC ..... D6/595-601, 604, 605; D21/803, 809;  
D24/183, 190-193; 5/420, 630-651,  
5/652, 655.3, 655.9, 656, 706, 710,  
5/690-692, 900, 902, 910, 922, 928-930,  
5/932, 935, 948, 953; 128/202.18;  
441/40, 66, 80-81, 127; D7/553.2,  
D7/553.5; 297/219.1, 219.12  
See application file for complete search history.

**DESCRIPTION**

FIG. 1 is a top perspective view of a travel pillow according to  
the present invention.  
FIG. 2 is a bottom perspective view of the travel pillow shown  
in FIG. 1.  
FIG. 3 is a front view of the travel pillow shown in FIG. 1.  
FIG. 4 is a right side view of the travel pillow shown in FIG.  
1; the left sided view being a mirror image thereof.  
FIG. 5 is a rear view of the travel pillow shown in FIG. 1.  
FIG. 6 is a top view of the travel pillow shown in FIG. 1.  
FIG. 7 is a bottom view of the travel pillow shown in FIG. 1;  
and,  
FIG. 8 is a cross-sectional view taken along lines 8-8 of FIG.  
3.  
The elements shown in broken lines form no part of the  
claimed design in this application, and are instead included to  
show environmental aspects of the claimed design.

(56) **References Cited**  
U.S. PATENT DOCUMENTS  
D195,197 S \* 5/1963 Requa ..... D6/601  
4,574,412 A 3/1986 Smith  
5,127,120 A \* 7/1992 Mason ..... 5/655  
D396,594 S 8/1998 Lefebvre  
D404,238 S 1/1999 Keilhauer

**1 Claim, 4 Drawing Sheets**



(56)

**References Cited**

U.S. PATENT DOCUMENTS

6,073,998	A *	6/2000	Siarkowski et al. ....	297/180.12	7,722,122	B2	5/2010	Mittelstadt	
6,957,462	B1	10/2005	Wilcox		D628,845	S *	12/2010	Guner et al. ....	D6/601
D534,389	S	1/2007	Chisholm et al.		7,908,692	B2	3/2011	Lange	
D590,648	S *	4/2009	Rahimian .....	D6/601	D652,240	S *	1/2012	Colman .....	D6/601
D614,901	S *	5/2010	Welch .....	D6/601	8,321,977	B1 *	12/2012	Kummerfeld et al. ....	5/636
					8,322,343	B2 *	12/2012	Cardin .....	128/845
					D701,063	S *	3/2014	Myers .....	D6/601
					D711,000	S *	8/2014	Ravikumar et al. ....	D24/184

\* cited by examiner

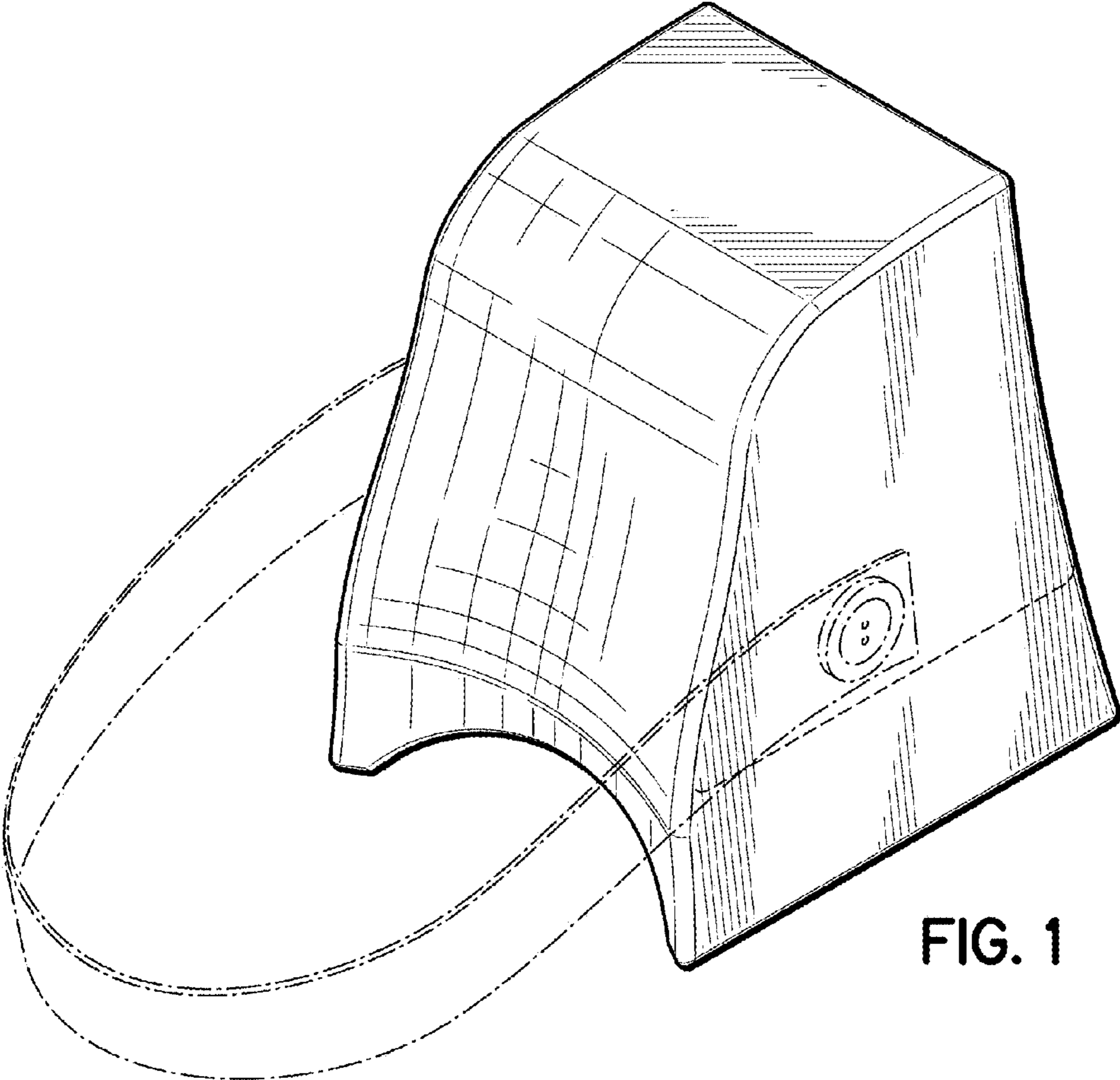


FIG. 1

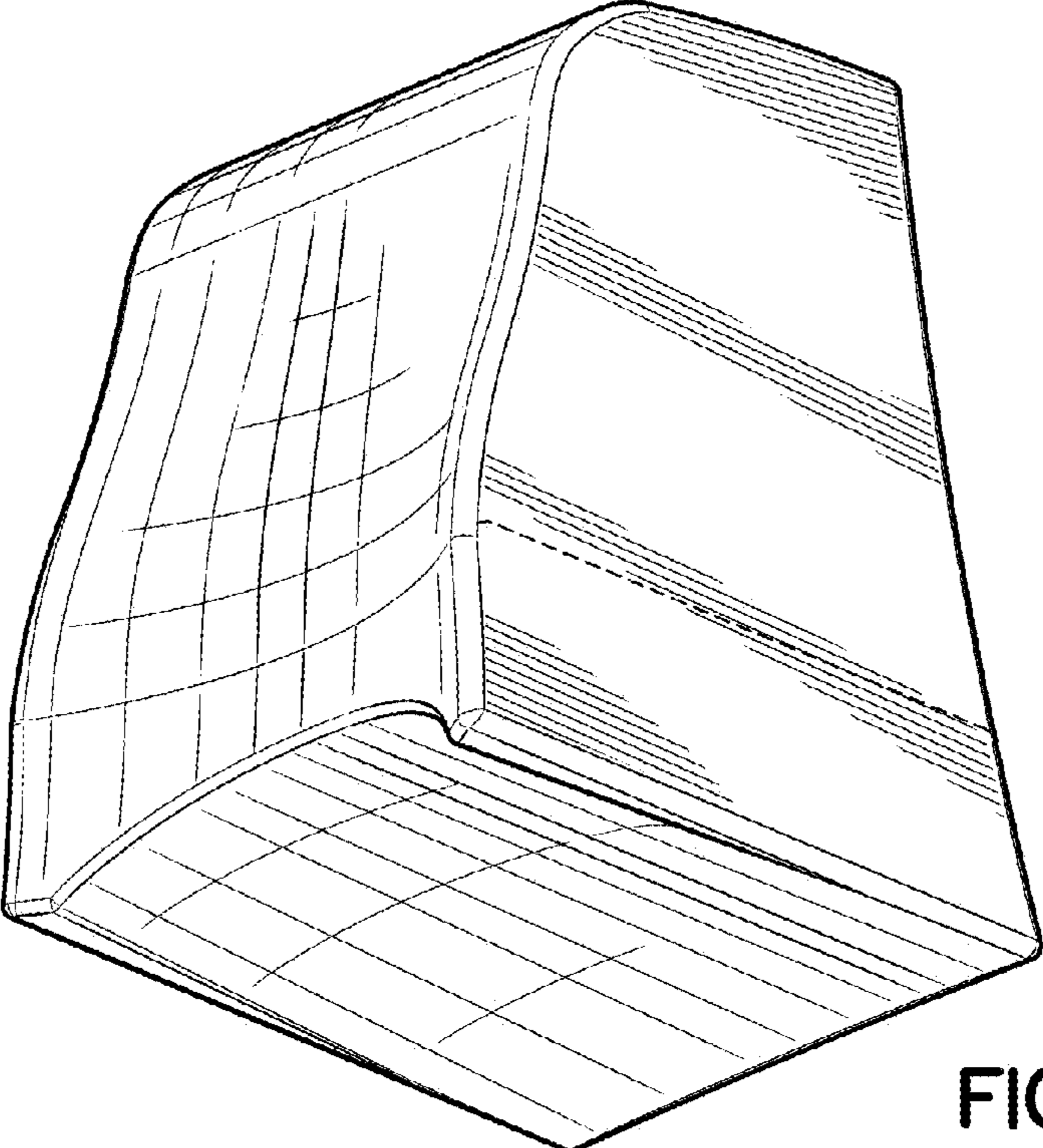
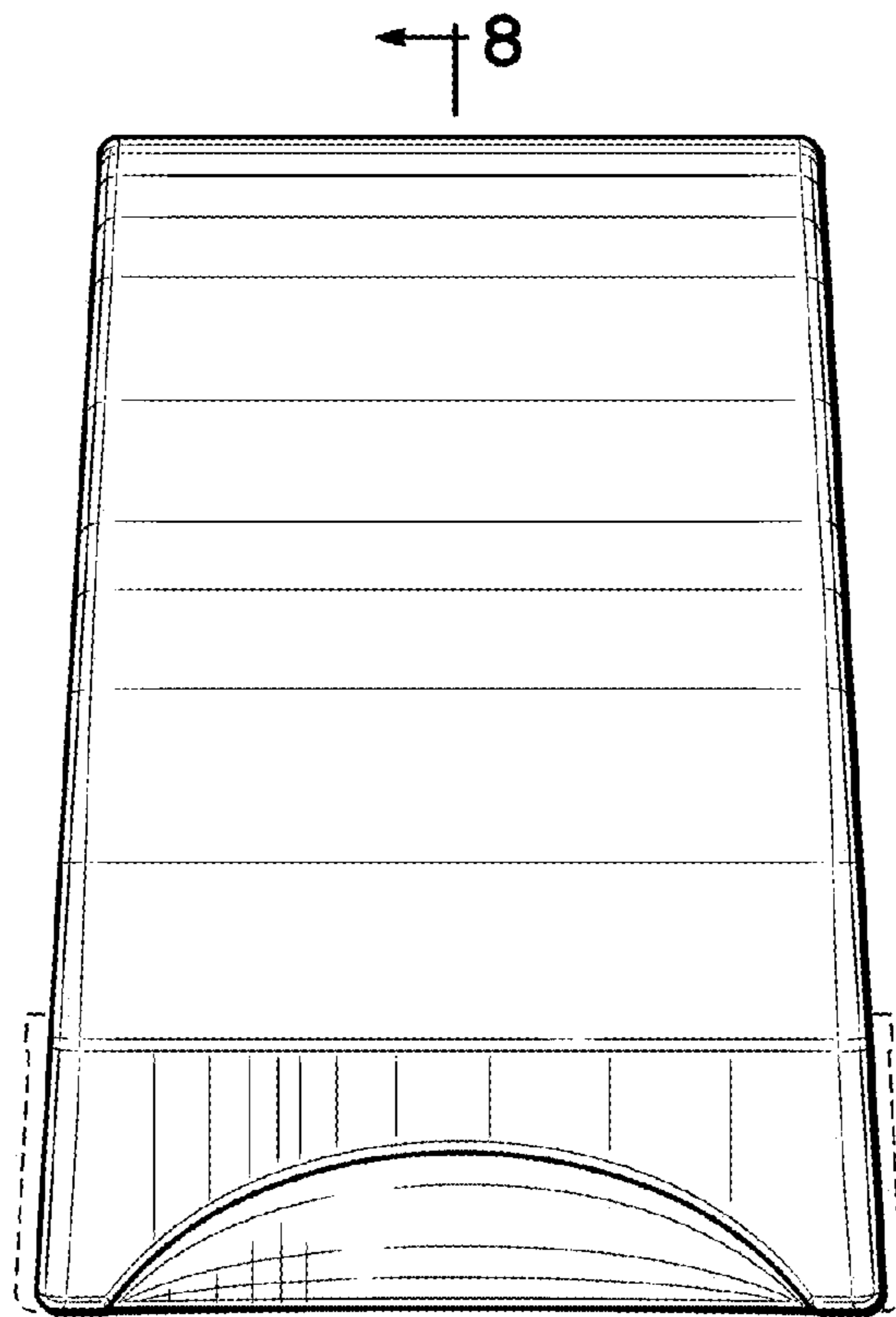


FIG. 2



← 8  
FIG. 3

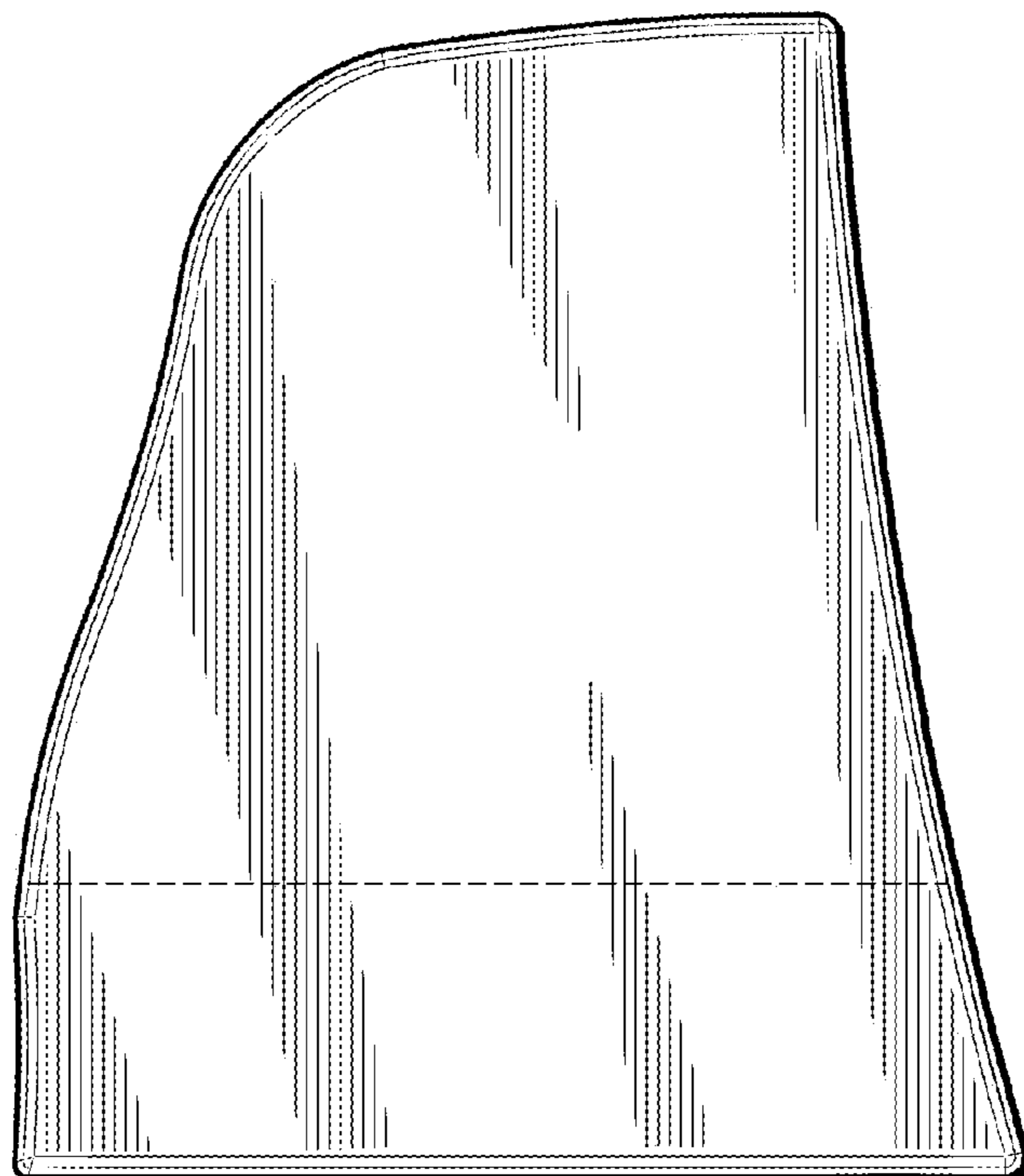


FIG. 4

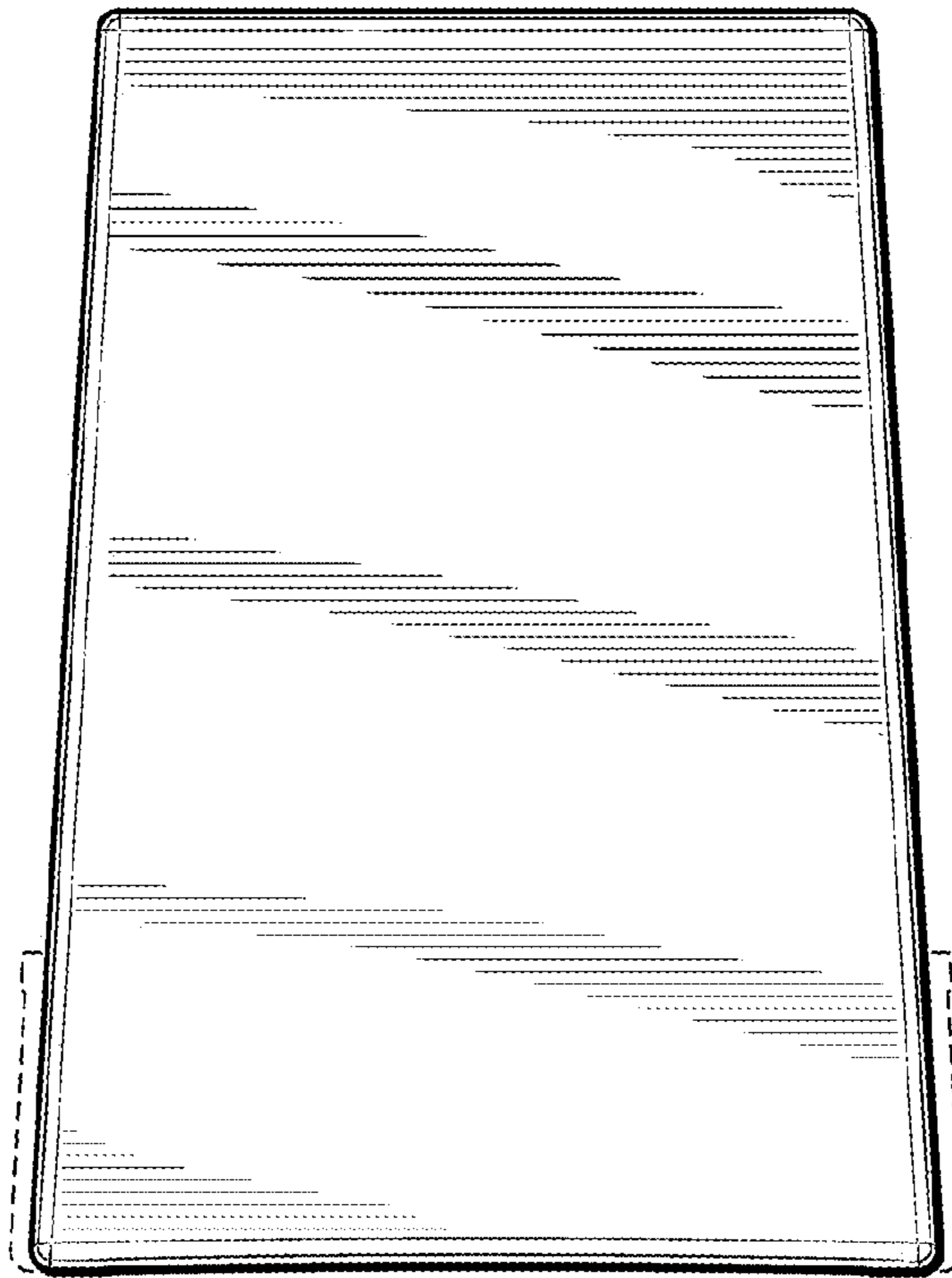


FIG. 5

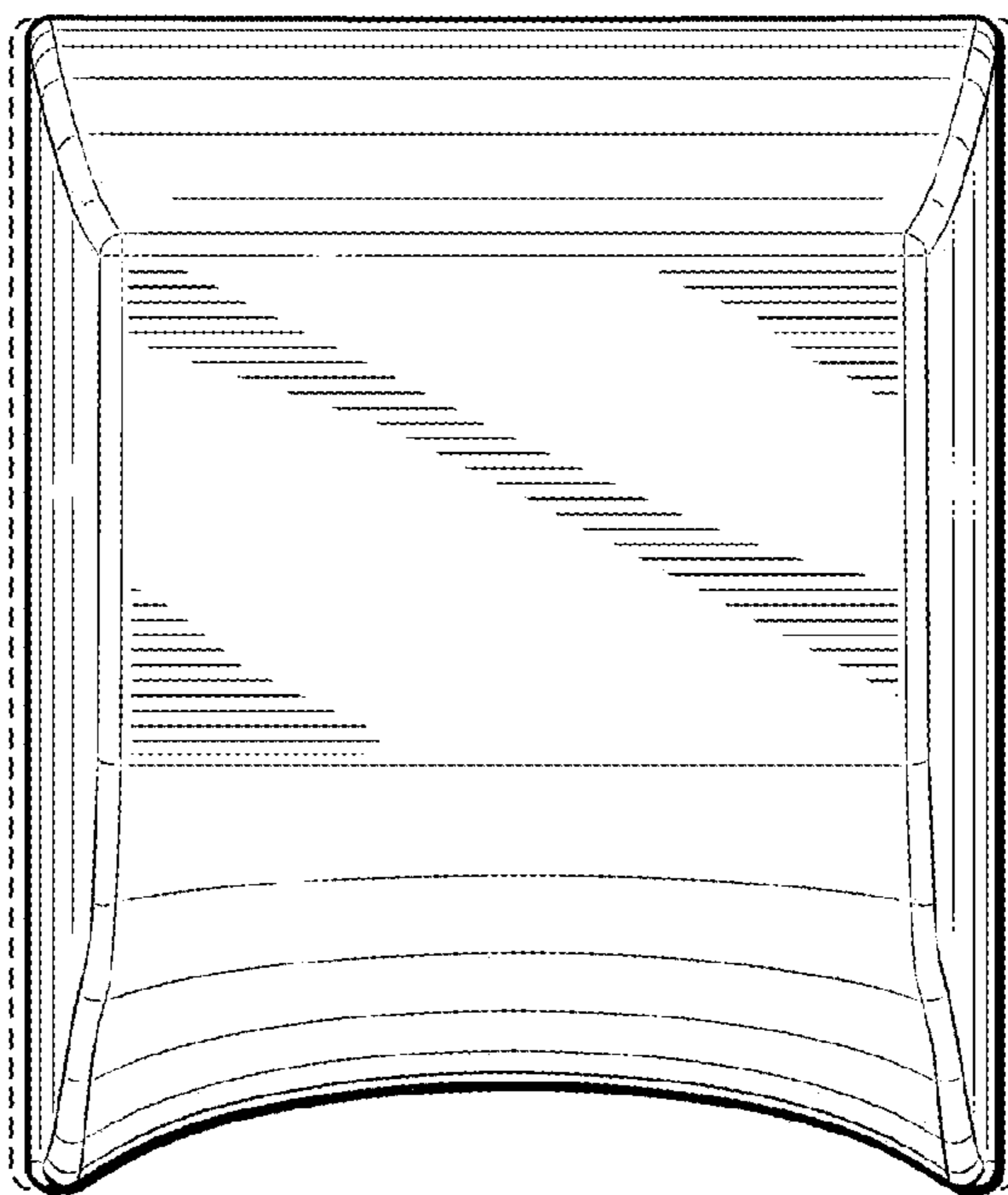


FIG. 6

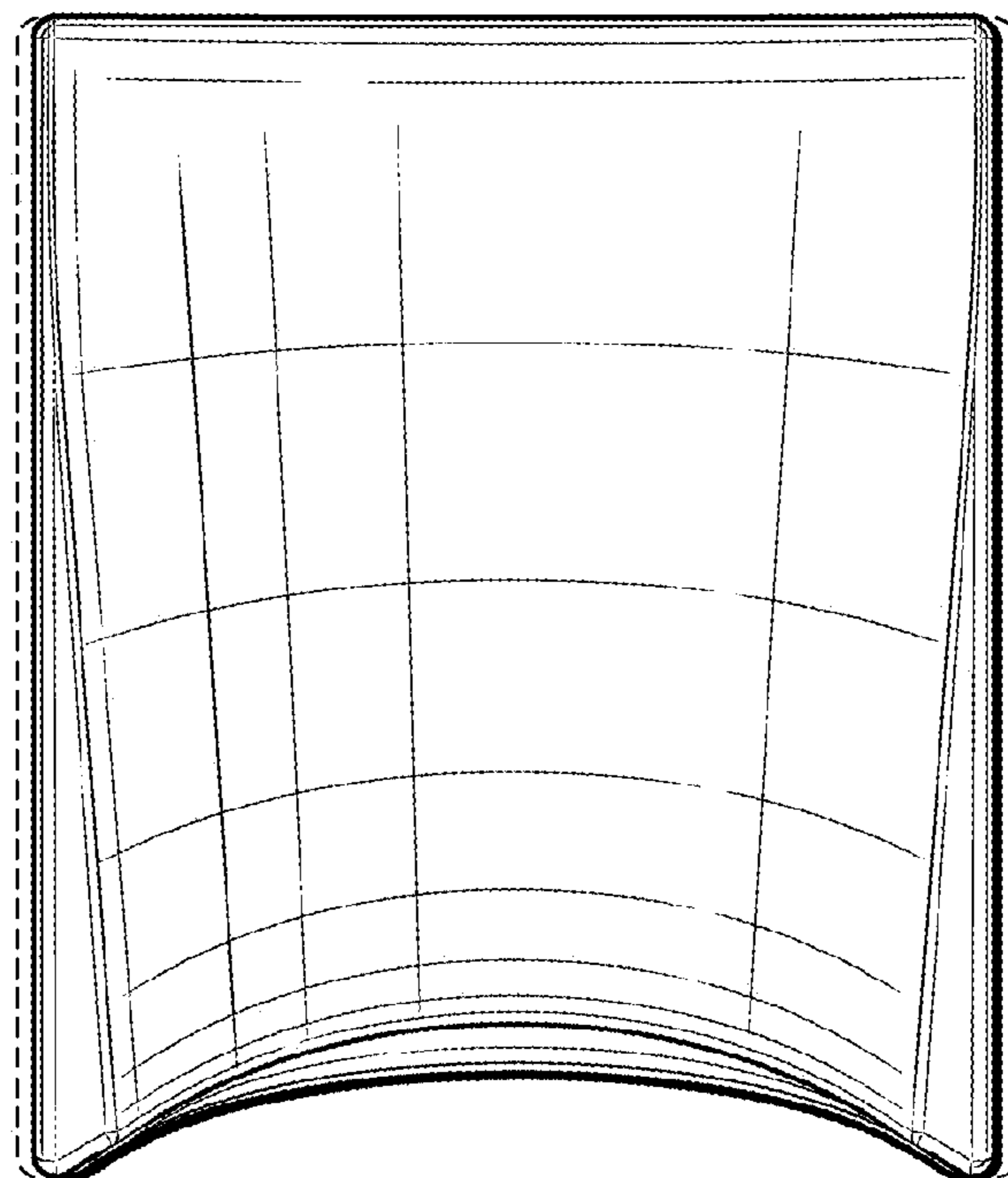


FIG. 7

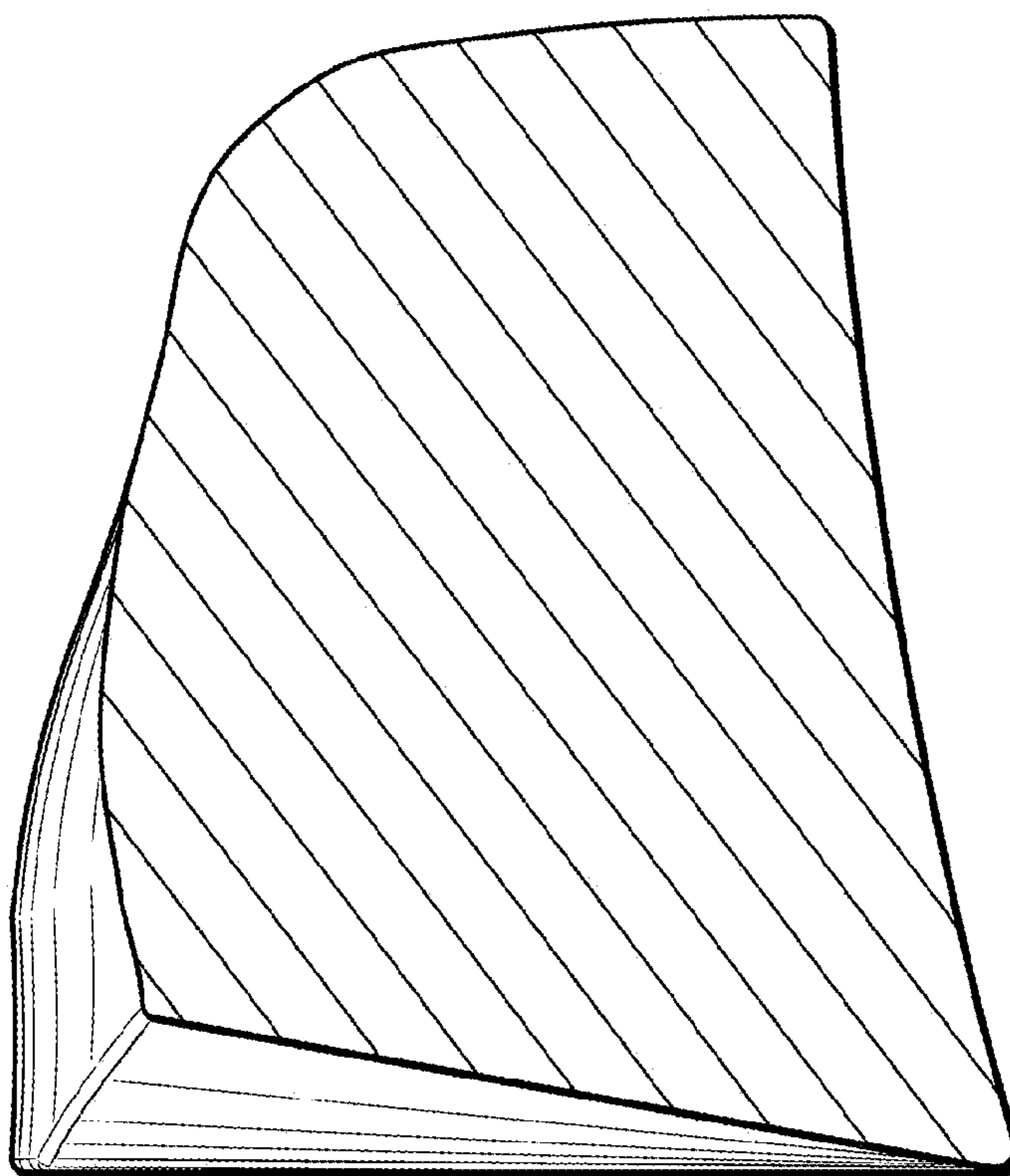


FIG. 8