



US00D728264S

(12) **United States Design Patent**
Bacolas

(10) **Patent No.:** **US D728,264 S**

(45) **Date of Patent:** **** May 5, 2015**

(54) **EMERGENCY ROLLUP BLIND FOR A DOOR'S WINDOW**

(71) Applicant: **Christine Bacolas**, Newton, NJ (US)

(72) Inventor: **Christine Bacolas**, Newton, NJ (US)

(**) Term: **14 Years**

(21) Appl. No.: **29/447,169**

(22) Filed: **Mar. 1, 2013**

(51) **LOC (10) Cl.** **06-10**

(52) **U.S. Cl.**
USPC **D6/575**

(58) **Field of Classification Search**
CPC E06B 3/30; E06B 9/00; E06B 9/02;
E06B 9/24; E06B 9/262; A47H 1/00; A47H
21/00; A47H 23/00; A47H 23/02; A47H
23/04; A47H 2023/025
USPC D6/575, 576, 577, 578, 579, 580, 581;
160/84.01, 84.02, 84.03, 84.04, 84.05,
160/84.06, 84.07, 84.08, 107, 108, 111,
160/113, 130, 133
See application file for complete search history.

(56) **References Cited**

U.S. PATENT DOCUMENTS

D135,106 S * 2/1943 Schenker D3/299
3,913,655 A * 10/1975 Ogino 160/84.01
4,095,642 A * 6/1978 McKinnon et al. 160/332
4,114,233 A * 9/1978 Hamilton 16/95 R

4,384,606 A * 5/1983 Johnston et al. 160/332
4,590,714 A * 5/1986 Walker 250/585
D288,999 S * 3/1987 Durkee D6/580
5,996,674 A * 12/1999 Gatewood 160/348
7,805,897 B2 * 10/2010 Holland et al. 52/202
2010/0108210 A1 * 5/2010 Salas Garcia 150/154
2010/0269985 A1 * 10/2010 Hanley et al. 160/84.04
2012/0261083 A1 * 10/2012 Daly 160/236
2014/0352899 A1 * 12/2014 Moolenbeek 160/368.1

* cited by examiner

Primary Examiner — Karen S Acker

Assistant Examiner — Wendy Arminio

(74) *Attorney, Agent, or Firm* — Thomas L. Adams

(57) **CLAIM**

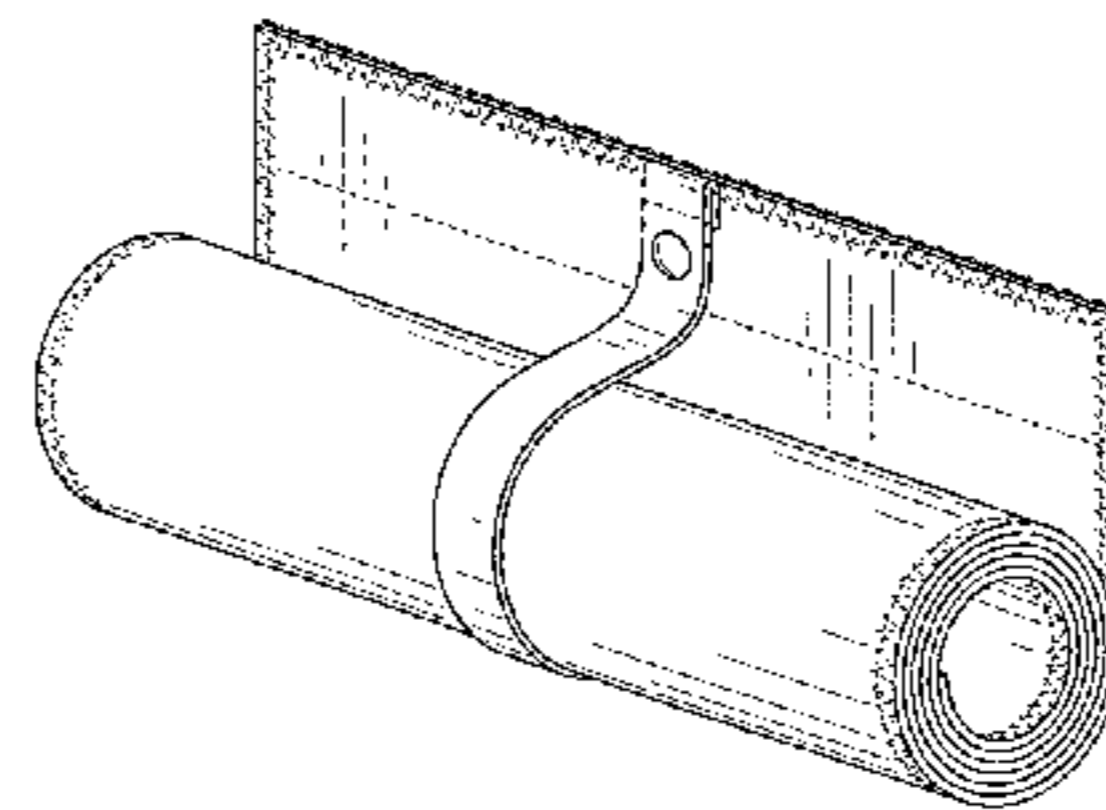
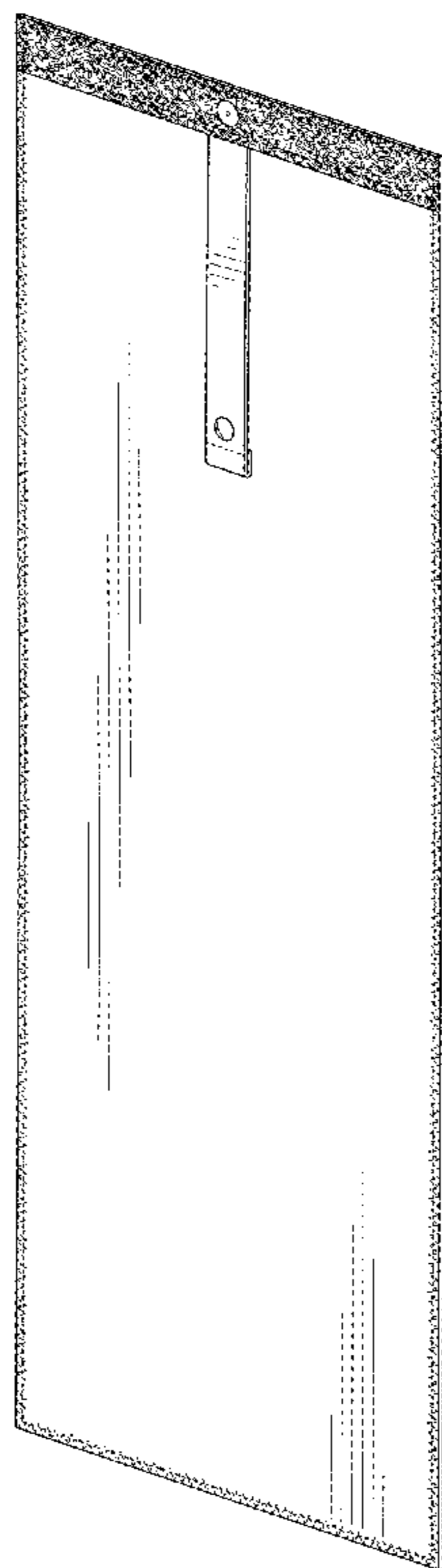
The ornamental design for an emergency rollup blind for a door's window, as shown and described.

DESCRIPTION

FIG. 1 is a rear perspective view of an emergency rollup blind for a door's window showing my new design;
FIG. 2 is a front elevational view thereof;
FIG. 3 is a rear elevational view thereof;
FIG. 4 is a right side elevational view thereof;
FIG. 5 a left side elevational view thereof;
FIG. 6 is a top plan view thereof;
FIG. 7 is a bottom view thereof; and,
FIG. 8 is a front perspective view thereof shown in a rolled up position.

The broken lines shown in FIGS. 1, 2, 3, and 8 depict stitching.

1 Claim, 5 Drawing Sheets



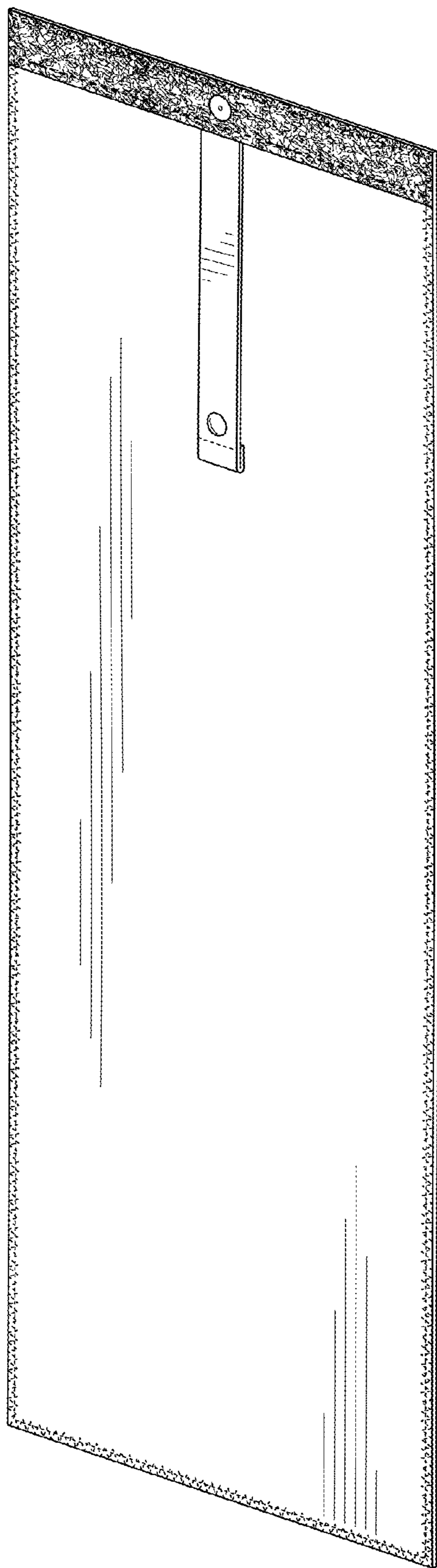


FIG. 1

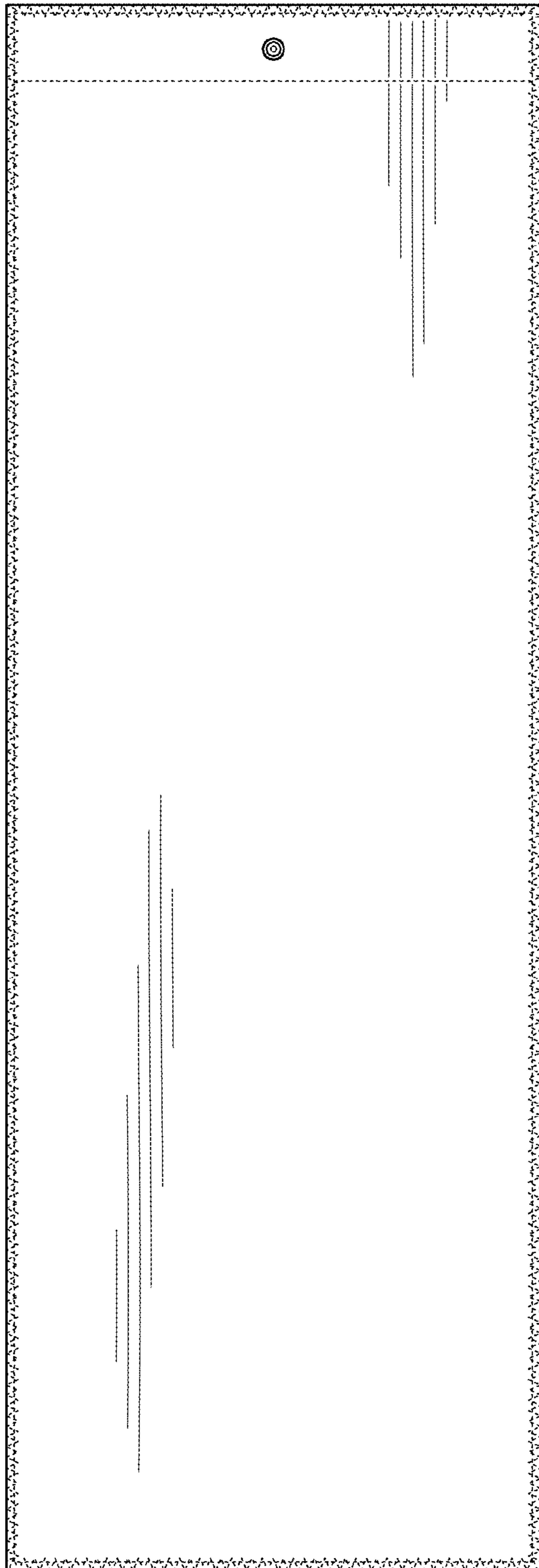


FIG. 2

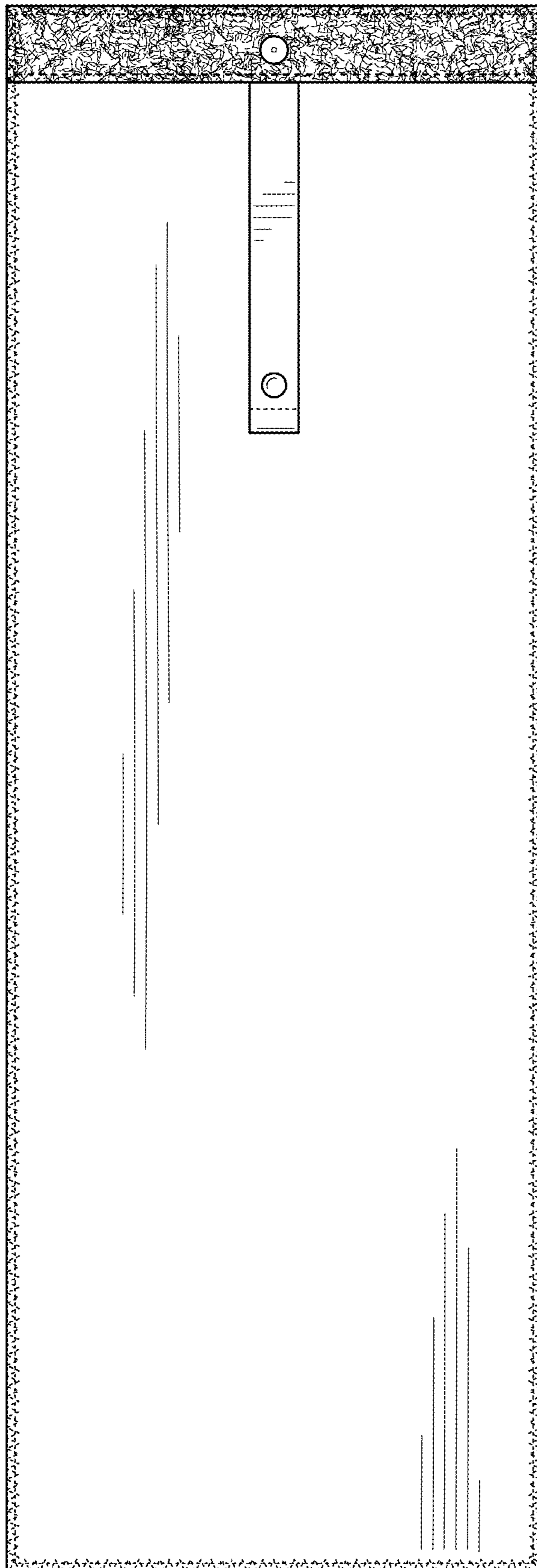


FIG. 3

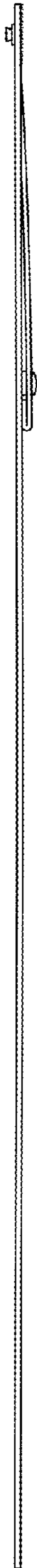


FIG. 4

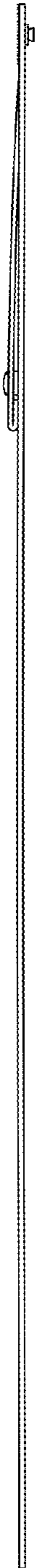


FIG. 5



FIG. 6



FIG. 7

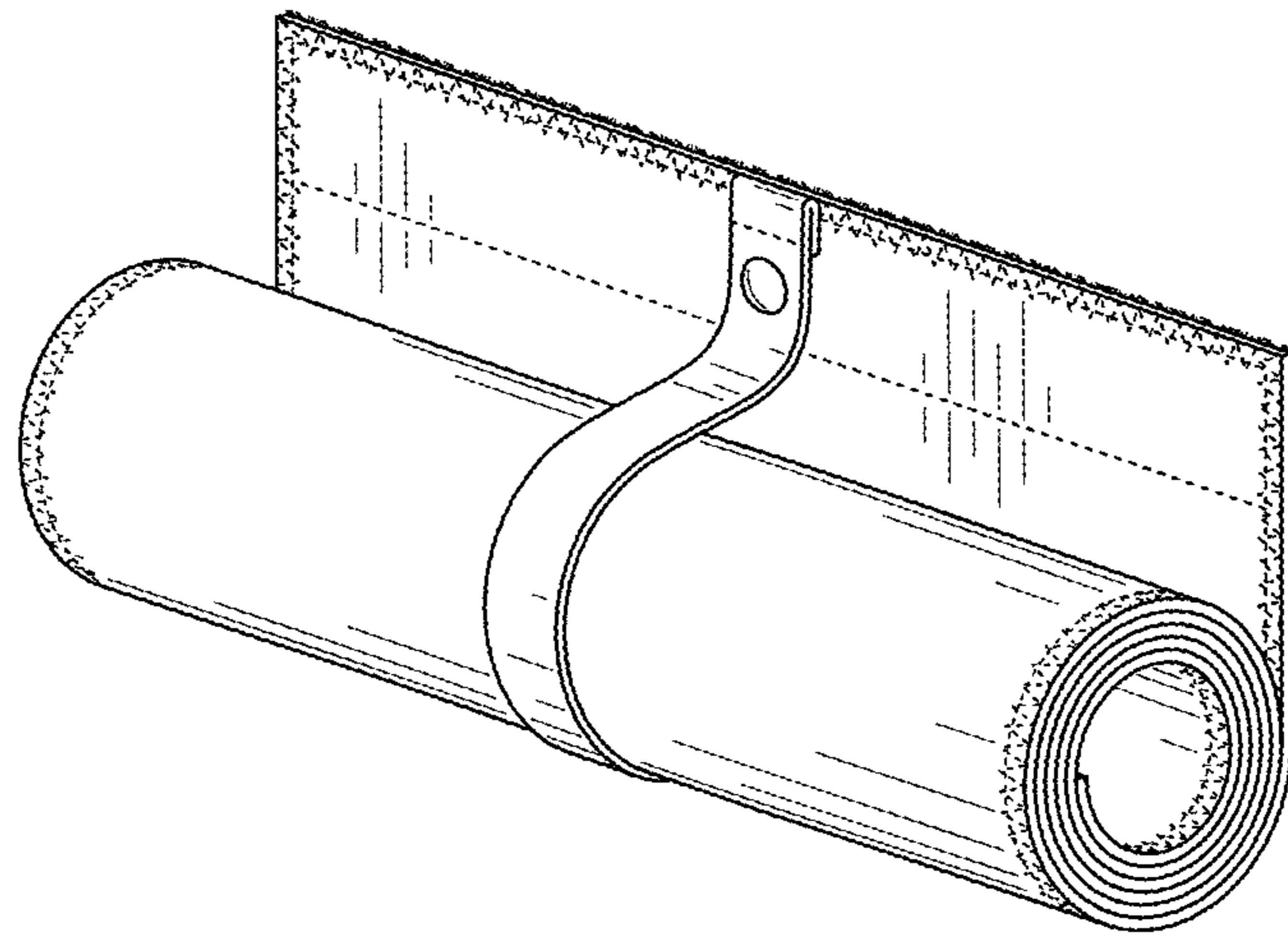


FIG. 8