



US00D728262S

(12) **United States Design Patent**  
**Lim**

(10) **Patent No.:** **US D728,262 S**  
(45) **Date of Patent:** **\*\* May 5, 2015**

- (54) **HEADSTAND**
- (71) Applicant: **Linda Lim**, San Francisco, CA (US)
- (72) Inventor: **Linda Lim**, San Francisco, CA (US)
- (73) Assignee: **Blasong Inc.**
- (\*\*) Term: **14 Years**
- (21) Appl. No.: **29/463,448**
- (22) Filed: **Nov. 27, 2013**

|              |    |   |         |                |       |        |
|--------------|----|---|---------|----------------|-------|--------|
| D231,947     | S  | * | 6/1974  | Weber          | ..... | D6/553 |
| D300,891     | S  | * | 5/1989  | Roland         | ..... | D6/567 |
| D344,876     | S  | * | 3/1994  | Vandergon      | ..... | D6/567 |
| D354,188     | S  | * | 1/1995  | Koehler        | ..... | D6/553 |
| D362,780     | S  |   | 10/1995 | Hampshire      |       |        |
| 5,971,192    | A  |   | 10/1999 | Hampshire      |       |        |
| D452,099     | S  | * | 12/2001 | Poitras et al. | ..... | D6/545 |
| D483,587     | S  |   | 12/2003 | Snell          |       |        |
| 6,886,792    | B2 |   | 5/2005  | Immerman       |       |        |
| D620,982     | S  | * | 8/2010  | Parshad        | ..... | D19/81 |
| 8,225,946    | B2 |   | 7/2012  | Sandor         |       |        |
| 2001/0020621 | A1 |   | 9/2001  | Immerman       |       |        |

**Related U.S. Application Data**

- (63) Continuation-in-part of application No. 29/463,098, filed on Jul. 25, 2013, and a continuation-in-part of application No. 29/463,096, filed on Jul. 25, 2013, and a continuation-in-part of application No. 29/463,097, filed on Jul. 25, 2013.

- (51) **LOC (10) Cl.** ..... **06-04**
- (52) **U.S. Cl.**  
USPC ..... **D6/553; D8/373**

- (58) **Field of Classification Search**  
USPC ..... D6/542-545, 553, 567, 574, 515-526;  
206/77.1; 211/13.1, 86.01, 87.01;  
221/14, 92, 649, 146.1, 146.2, 105;  
222/281-282; D23/225; D8/349, 354,  
D8/363, 373, 394; D24/155; D19/81  
See application file for complete search history.

(56) **References Cited**

**U.S. PATENT DOCUMENTS**

- 2,252,260 A \* 8/1941 Jones ..... 248/311.2
- D191,715 S \* 11/1961 Lugowski ..... D6/553

\* cited by examiner

*Primary Examiner* — Brian N Vinson

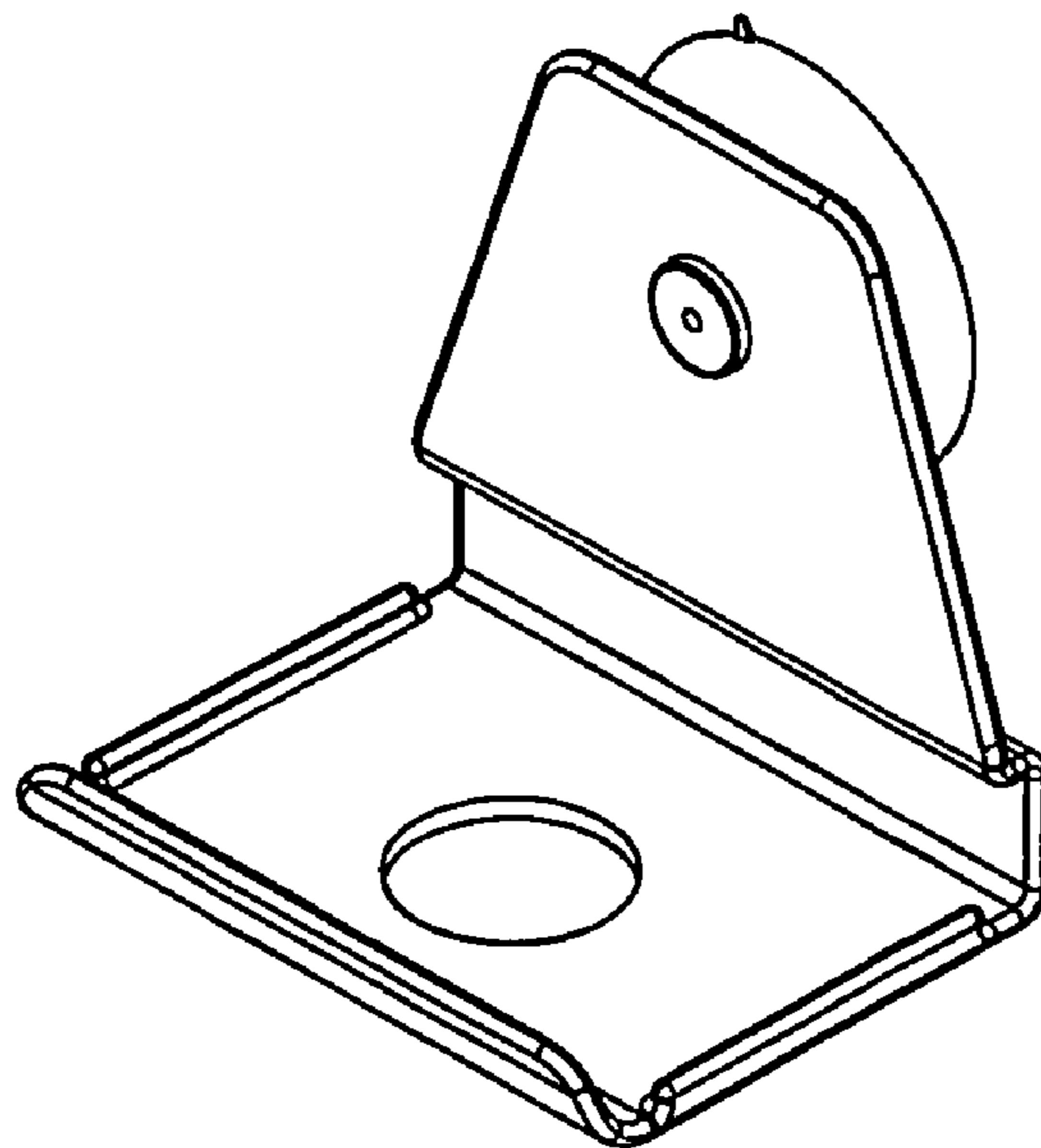
(57) **CLAIM**

The ornamental design for a headstand, as shown and described.

**DESCRIPTION**

FIG. 1 is a front, right side perspective view of a holder showing my new design;  
 FIG. 2 is a front view thereof;  
 FIG. 3 is a back view thereof;  
 FIG. 4 is a right side view thereof;  
 FIG. 5 is a left side view thereof;  
 FIG. 6 is a top plan view thereof;  
 FIG. 7 is a bottom plan view thereof; and,  
 FIG. 8 is an exploded front and right side perspective view thereof.

**1 Claim, 4 Drawing Sheets**



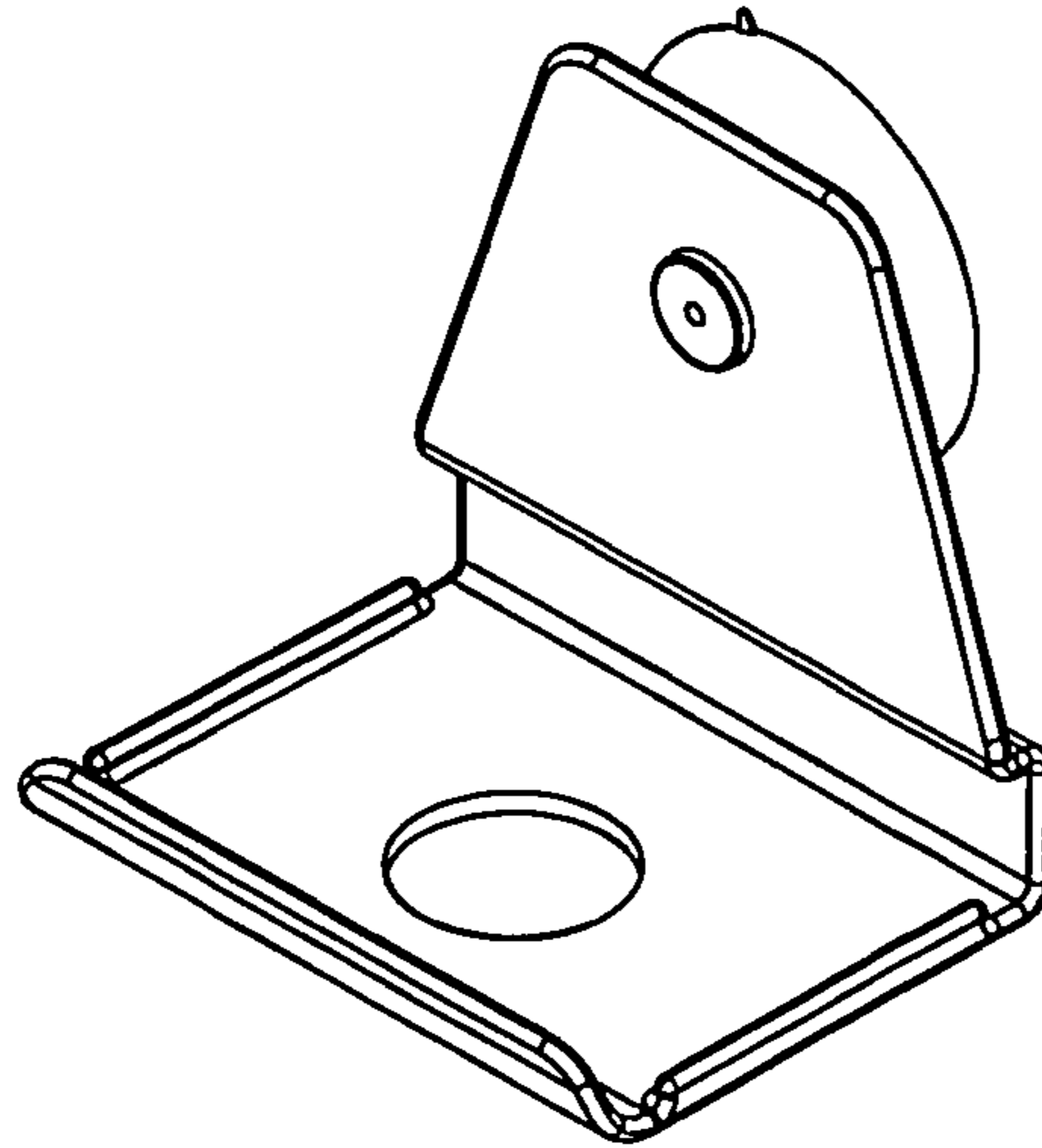


Fig 1

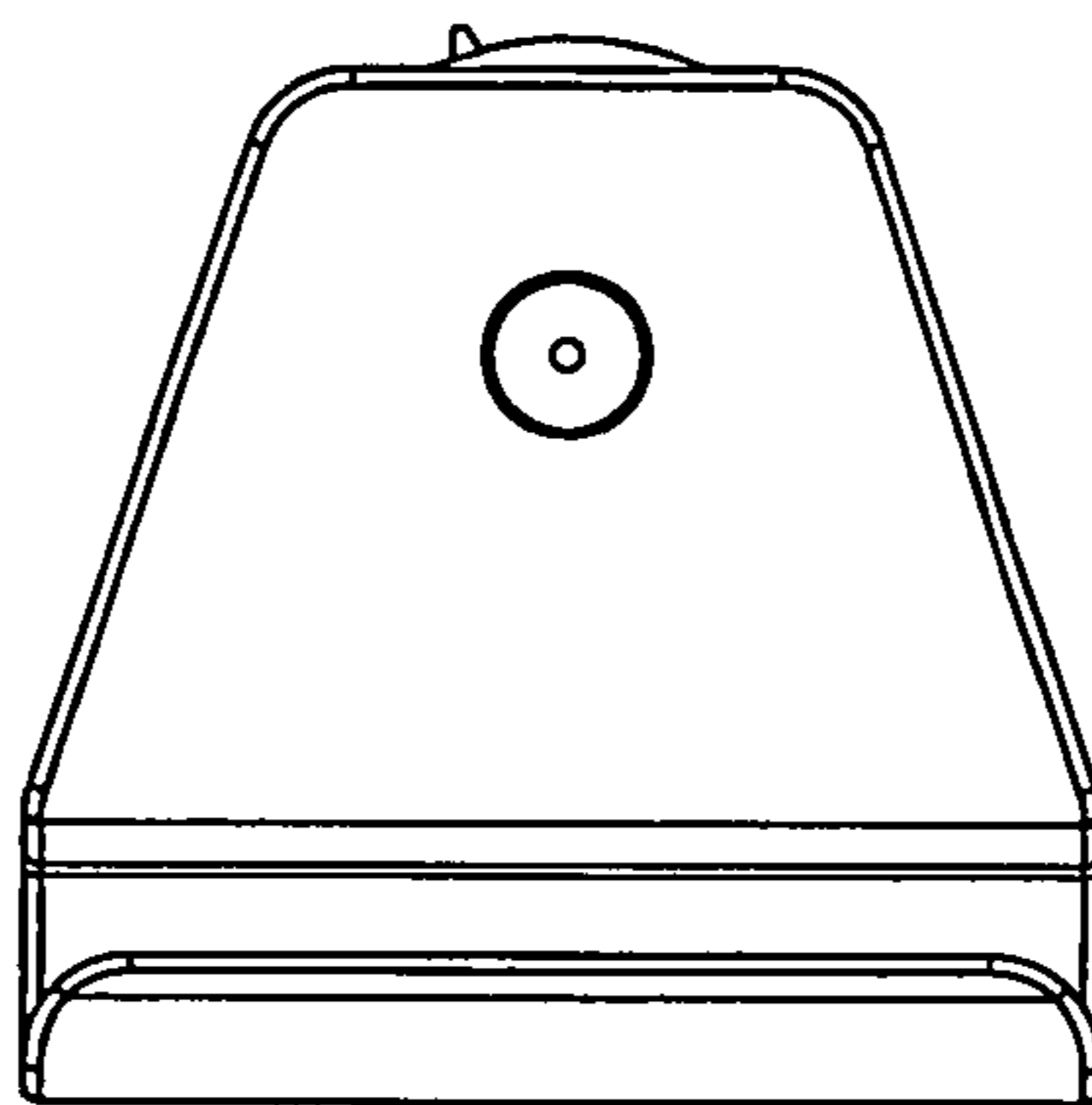


Fig 2

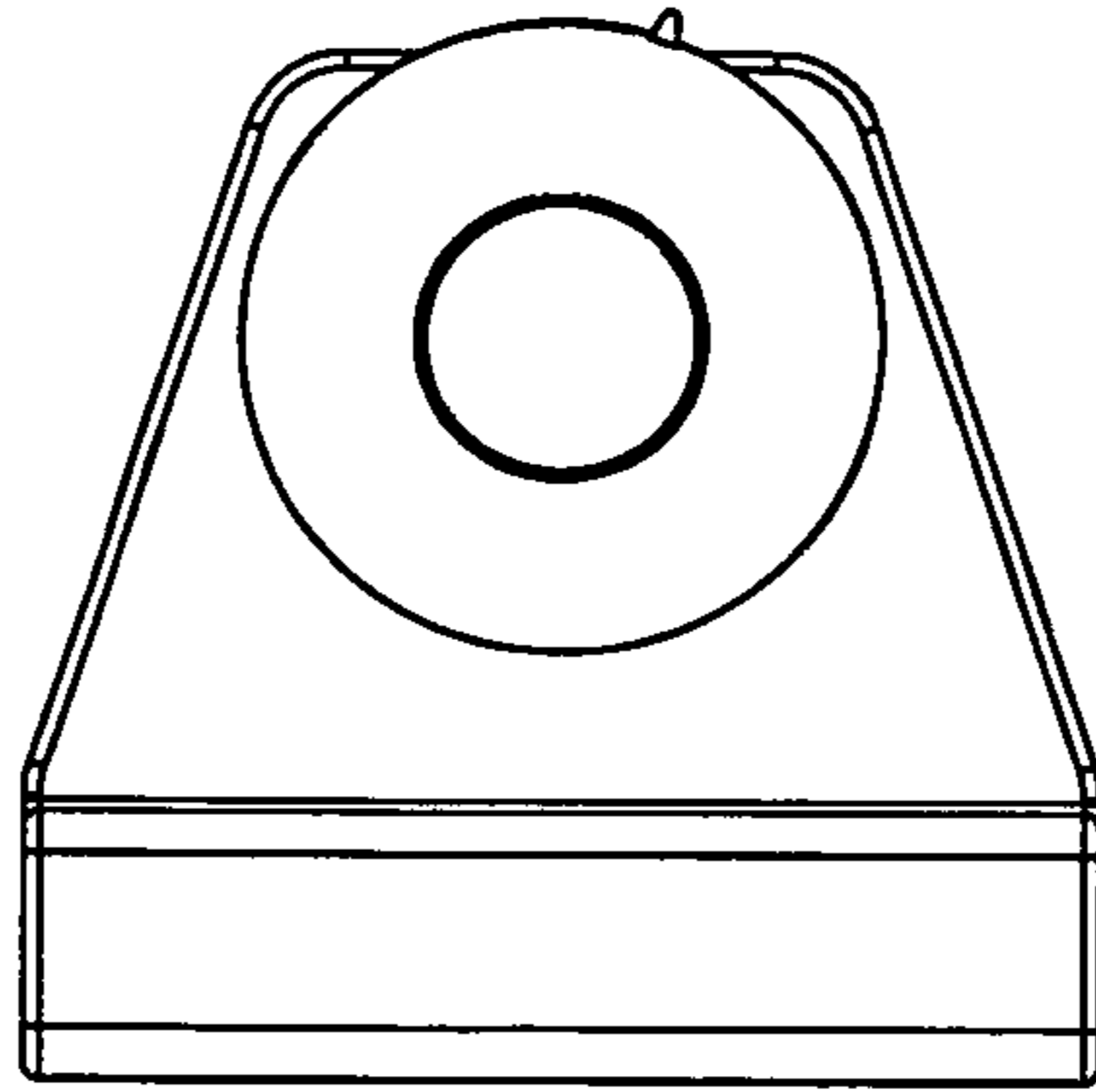


Fig 3

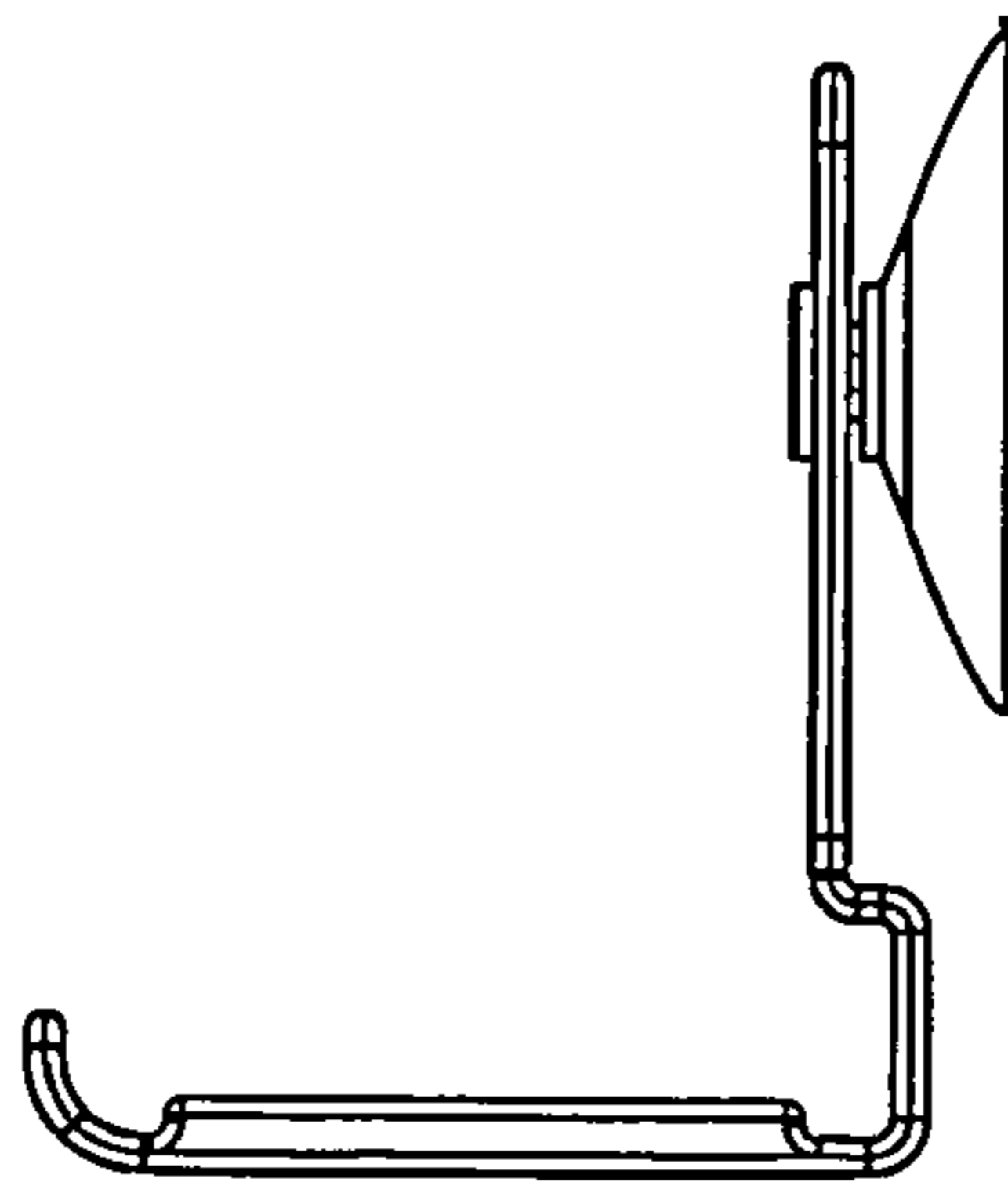


Fig 4

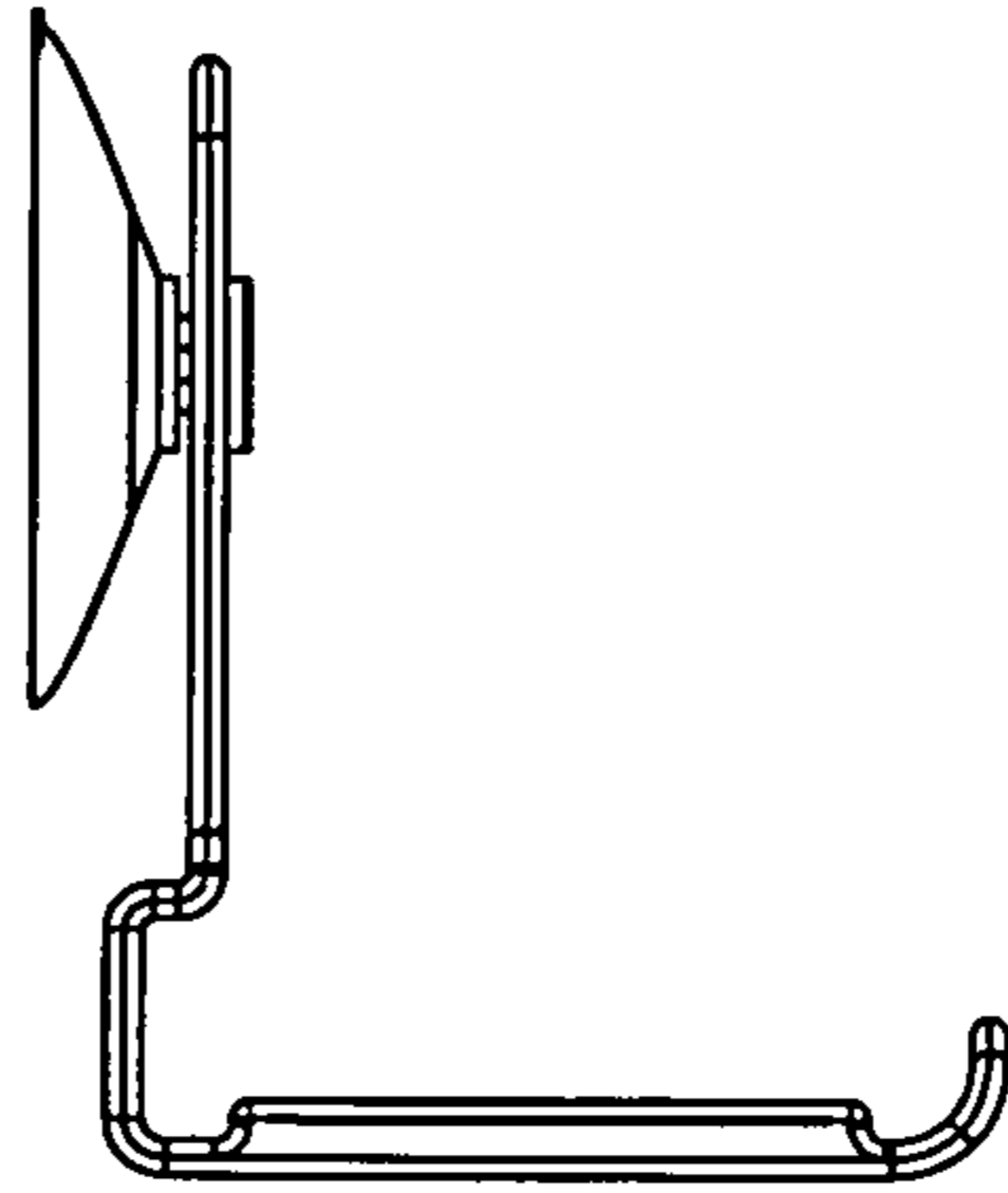


Fig 5

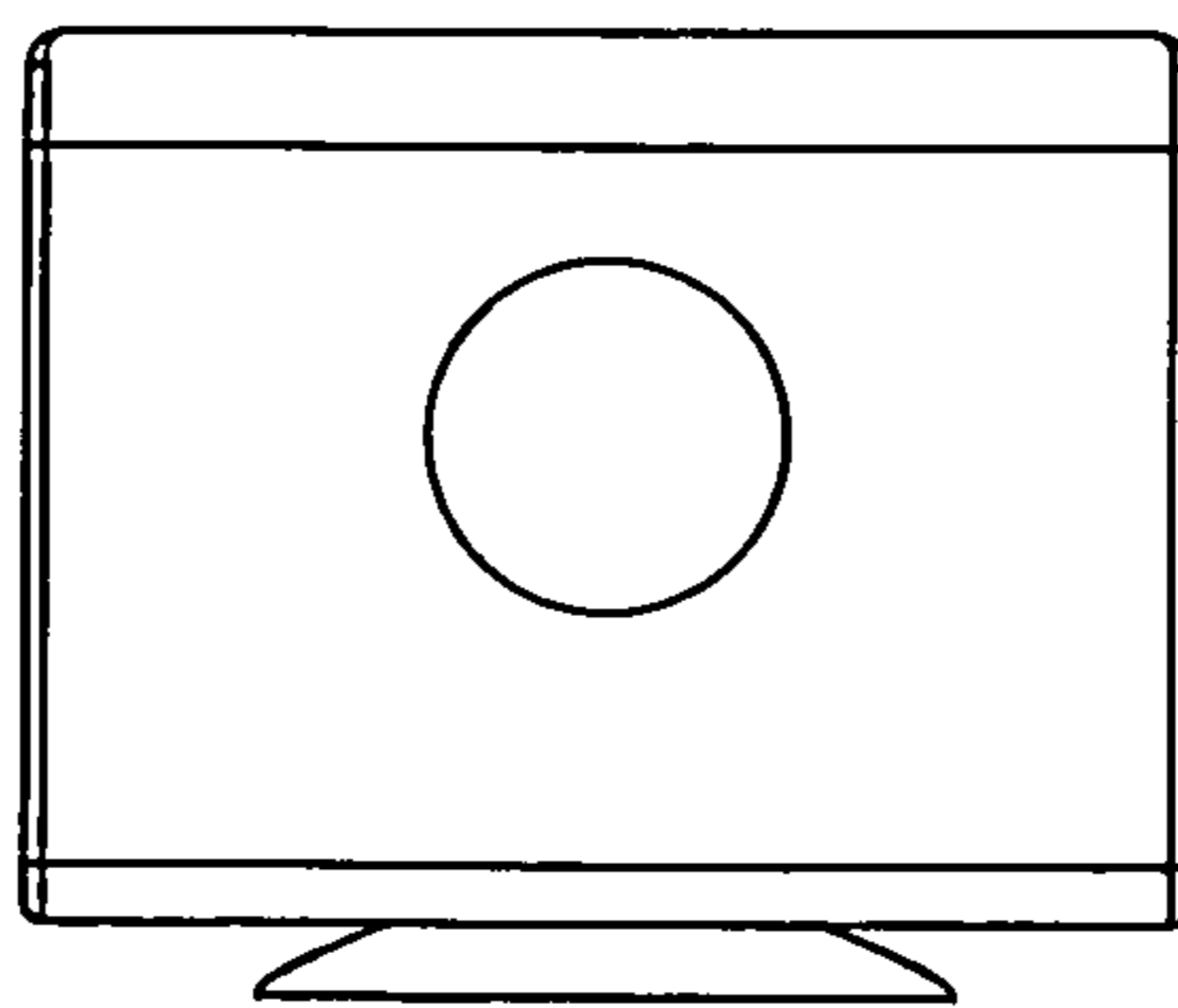


Fig 6

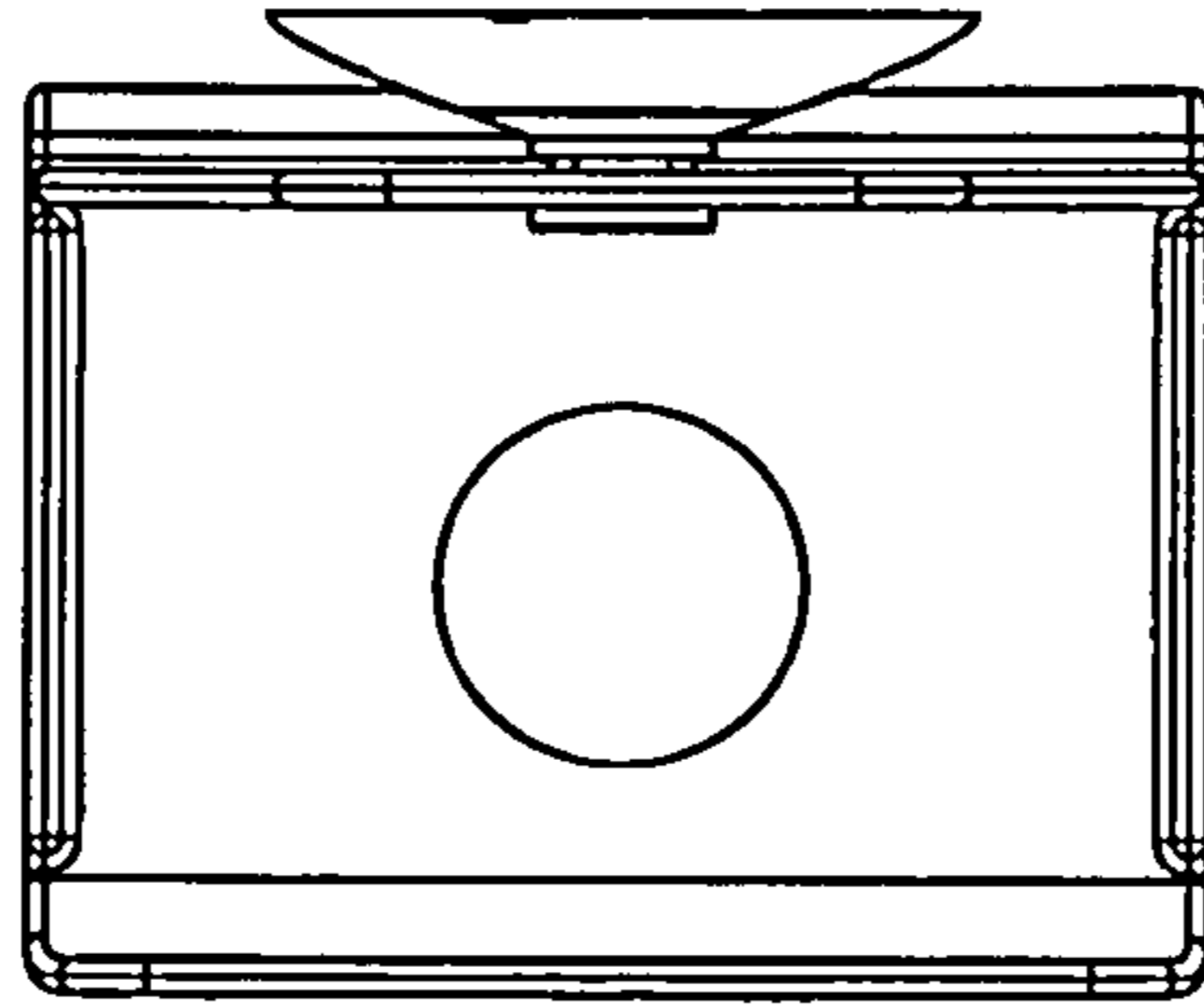


Fig 7

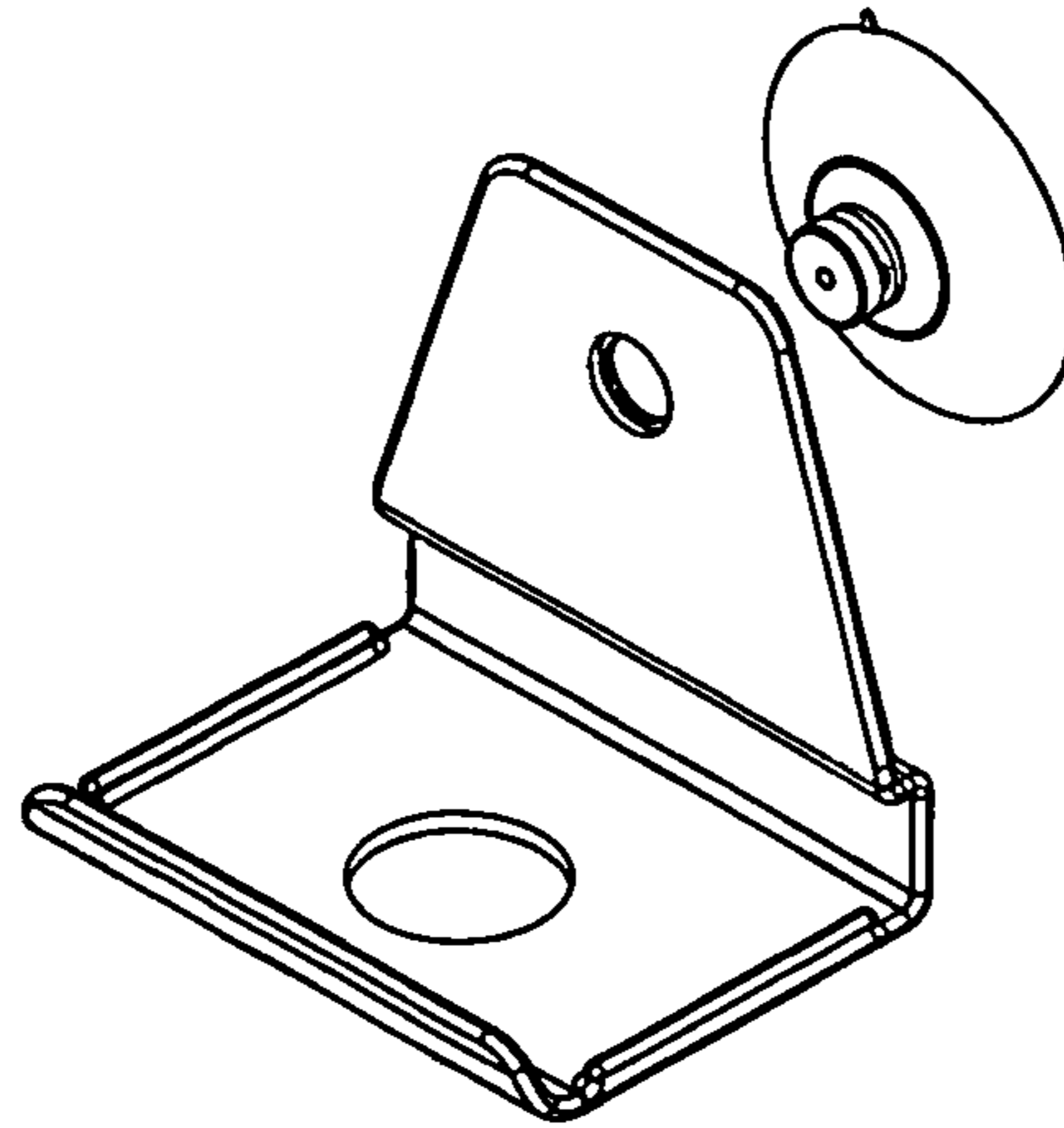


Fig 8