



US00D728260S

(12) **United States Design Patent**
Snider

(10) **Patent No.:** **US D728,260 S**

(45) **Date of Patent:** **** May 5, 2015**

(54) **SHOWER CADDY**

D628,000 S * 11/2010 Lindo D6/525
D630,035 S * 1/2011 Snider D6/525
D694,548 S * 12/2013 Snell D6/525
D714,571 S * 10/2014 Walker D6/525

(71) Applicant: **MSA Products, Inc.**, Nyack, NY (US)

(72) Inventor: **Martin Snider**, New City, NY (US)

* cited by examiner

(73) Assignee: **MSA Products, Inc.**, Nyack, NY (US)

Primary Examiner — Brian N Vinson

(**) Term: **14 Years**

(74) *Attorney, Agent, or Firm* — Gerald E. Hespos; Michael J. Porco; Matthew T. Hespos

(21) Appl. No.: **29/507,367**

(57) **CLAIM**

(22) Filed: **Oct. 27, 2014**

The ornamental design of a shower caddy, as shown and described.

(51) **LOC (10) Cl.** **20-02**

(52) **U.S. Cl.**
USPC **D6/525**

DESCRIPTION

(58) **Field of Classification Search**
USPC D6/524, 525, 566, 536, 540; 211/13.1,
211/74, 71.01, 86.01, 75, 88.01, 90.01,
211/90.03, 106, 126.1, 119, 181.1, 133.5,
211/134

FIG. 1 is a perspective view of a shower caddy in accordance with my design.
FIG. 2 is a front elevational view thereof;
FIG. 3 is a rear elevational view thereof;
FIG. 4 is a side elevational view viewed from the left side in FIG. 1;
FIG. 5 is a side elevational view viewed from the right side in FIG. 1;
FIG. 6 is a top plan view thereof; and,
FIG. 7 is a bottom plan view.

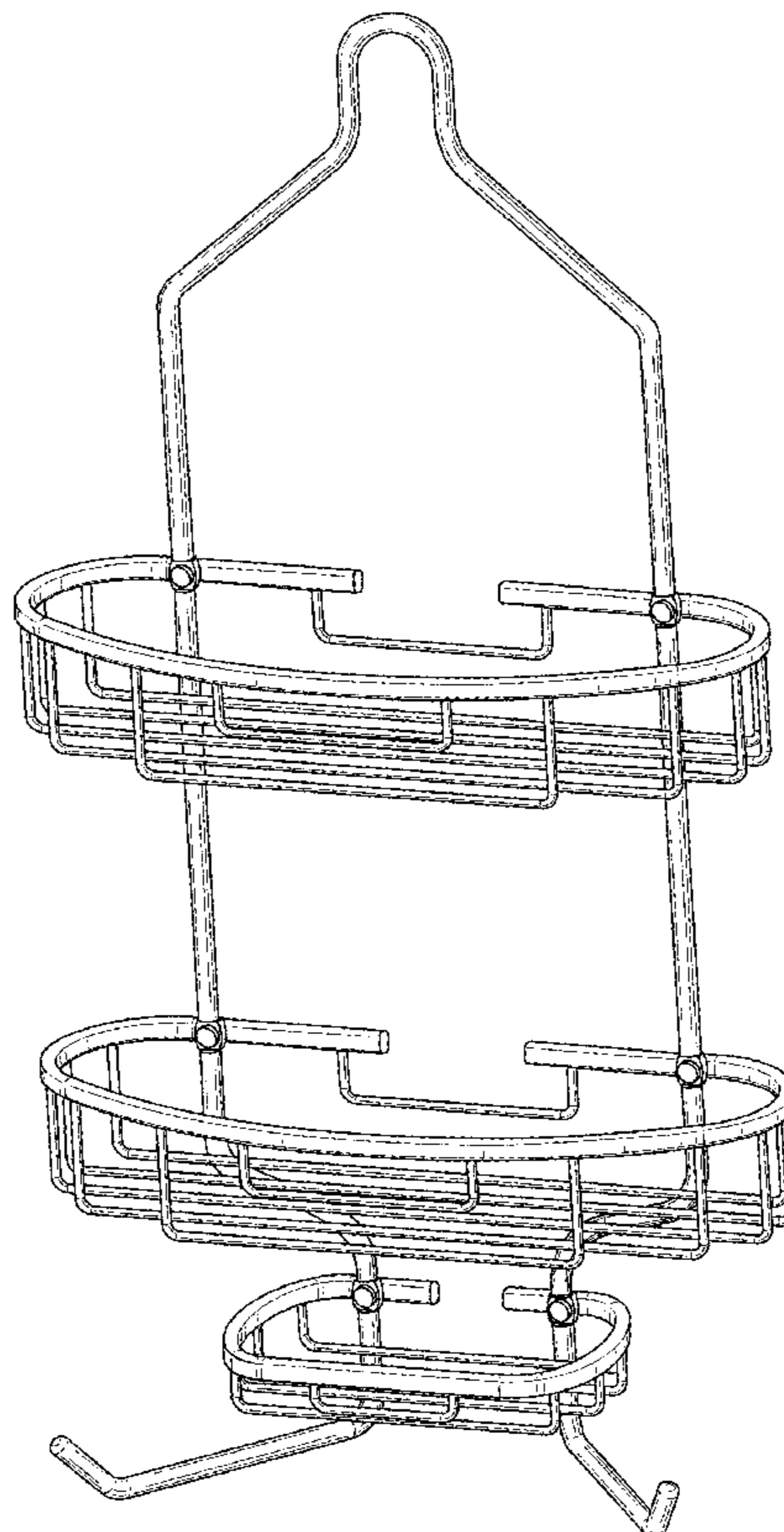
See application file for complete search history.

(56) **References Cited**

U.S. PATENT DOCUMENTS

D477,947 S * 8/2003 Snell D6/525
D575,087 S * 8/2008 Giorghie D6/525

1 Claim, 7 Drawing Sheets



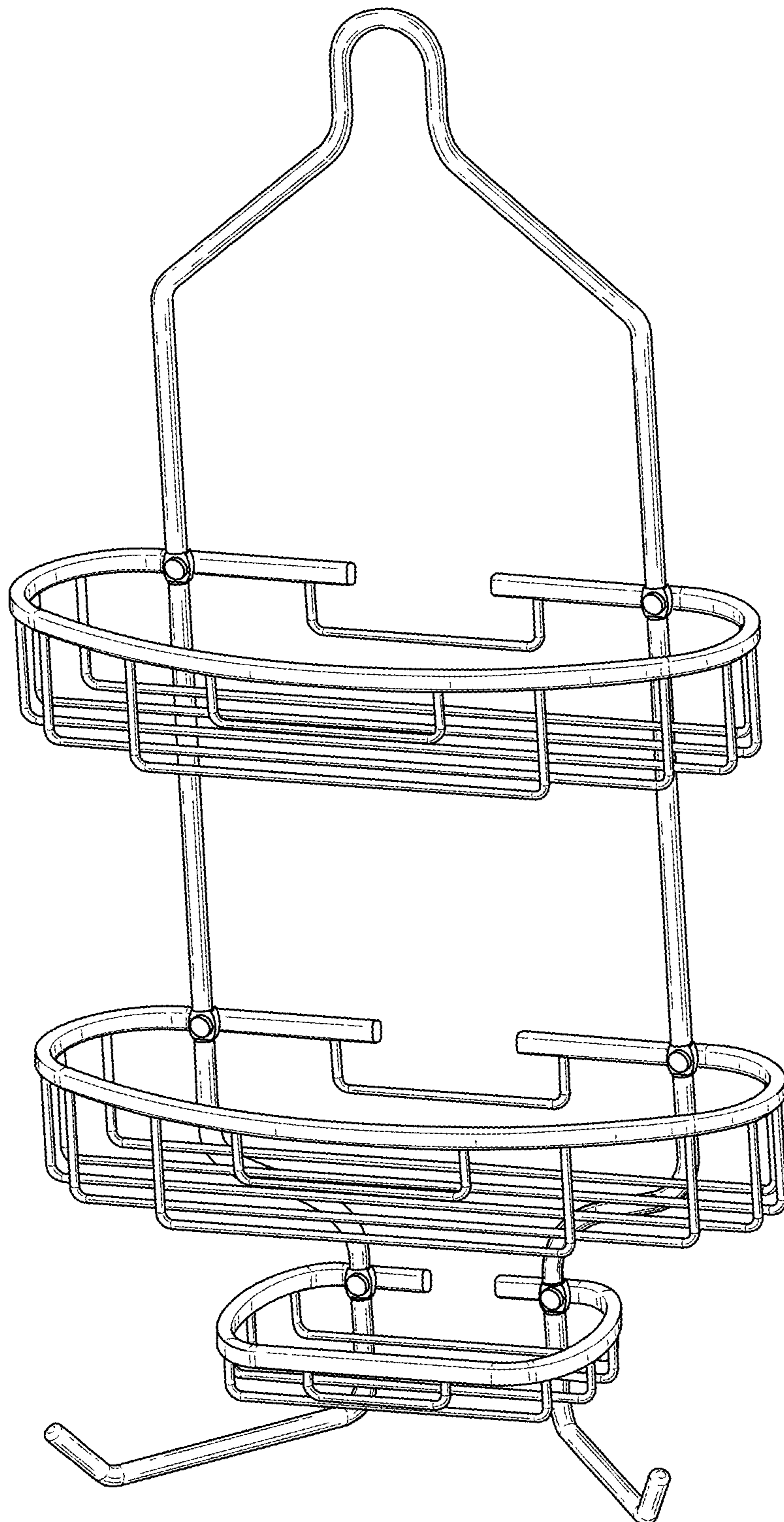


FIG. 1

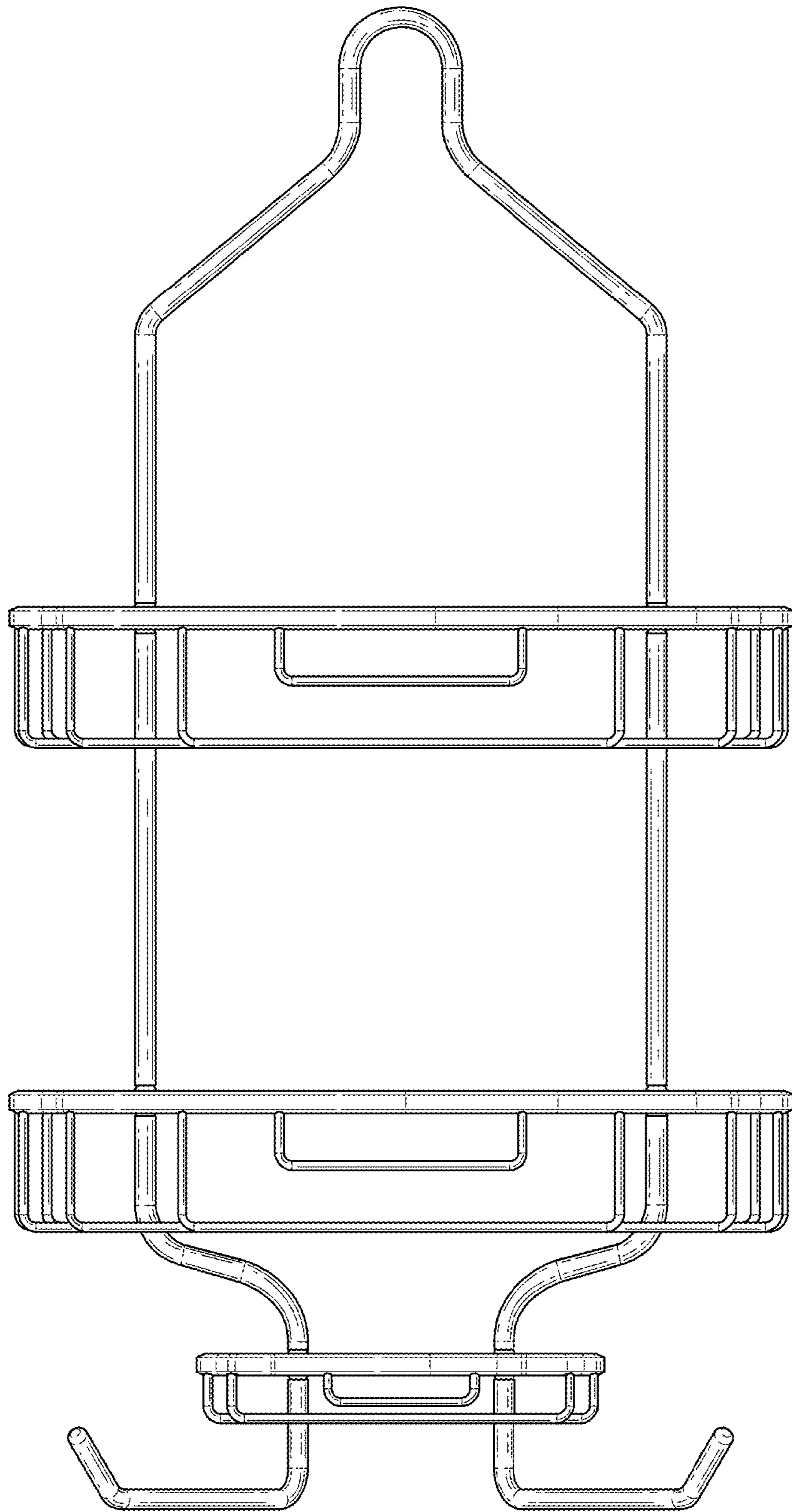


FIG. 2

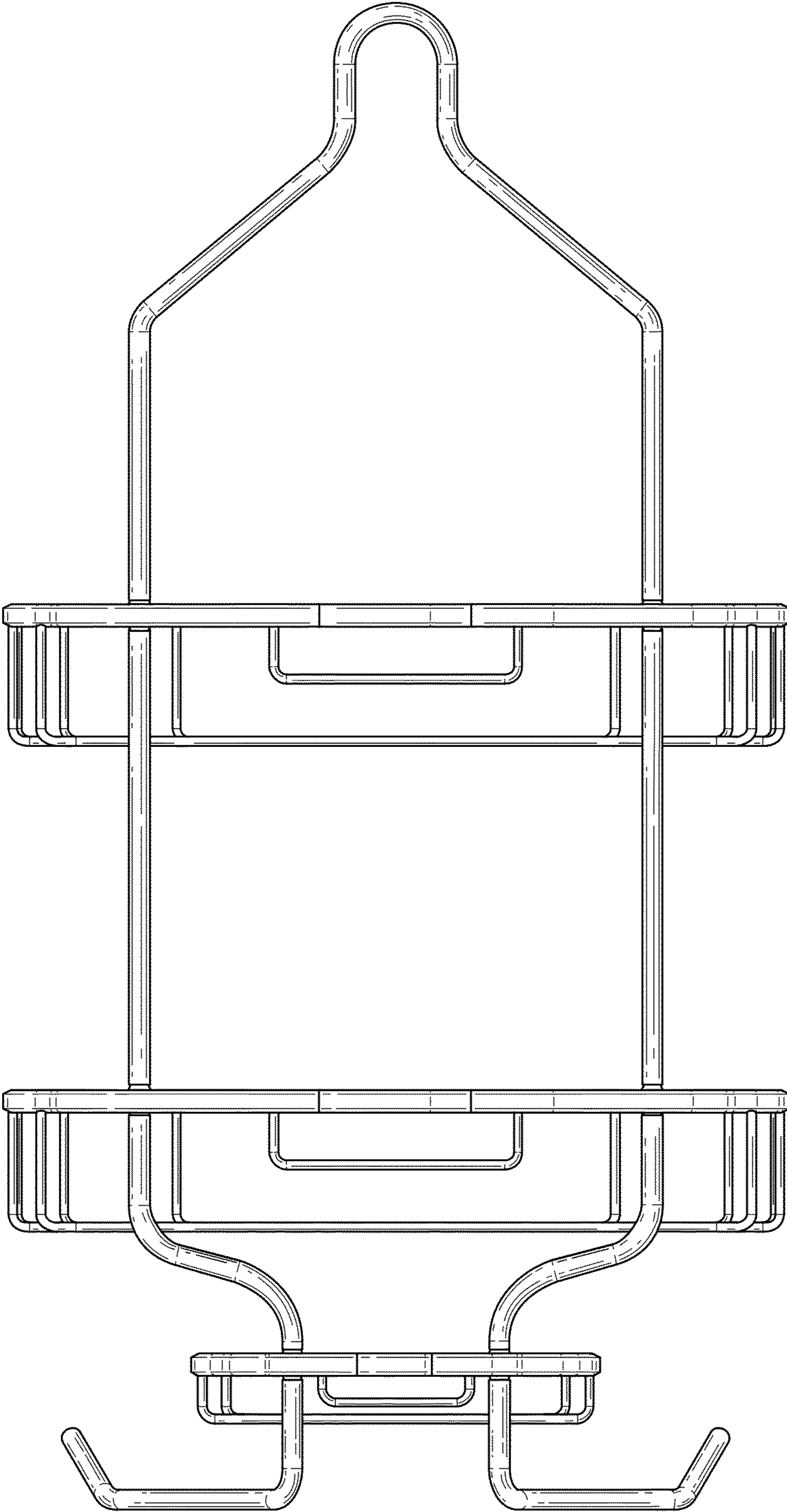


FIG. 3

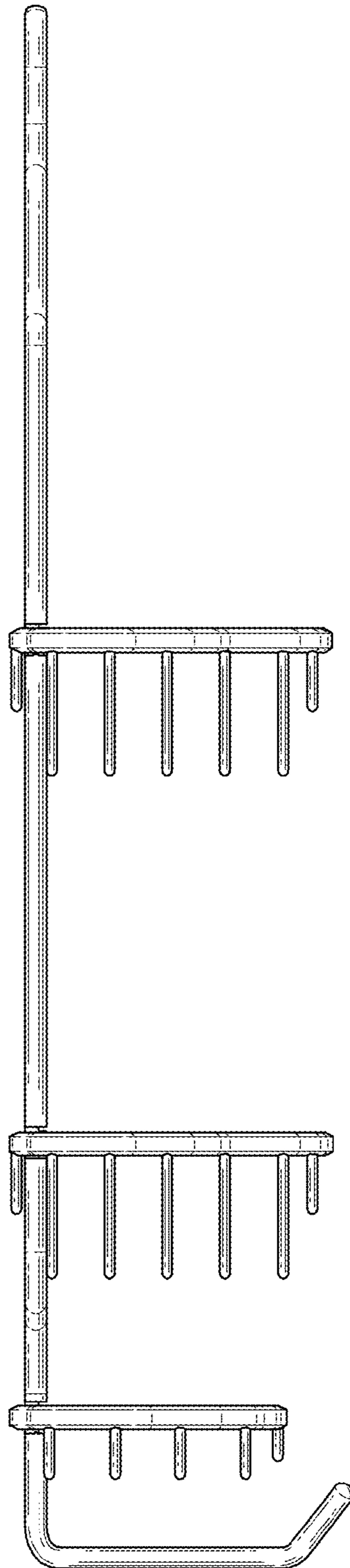


FIG. 4

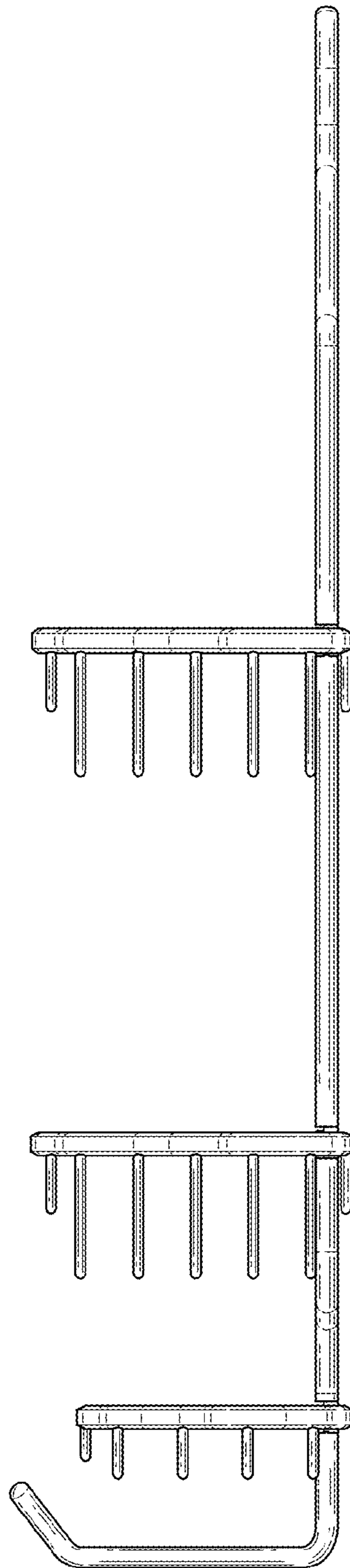


FIG. 5

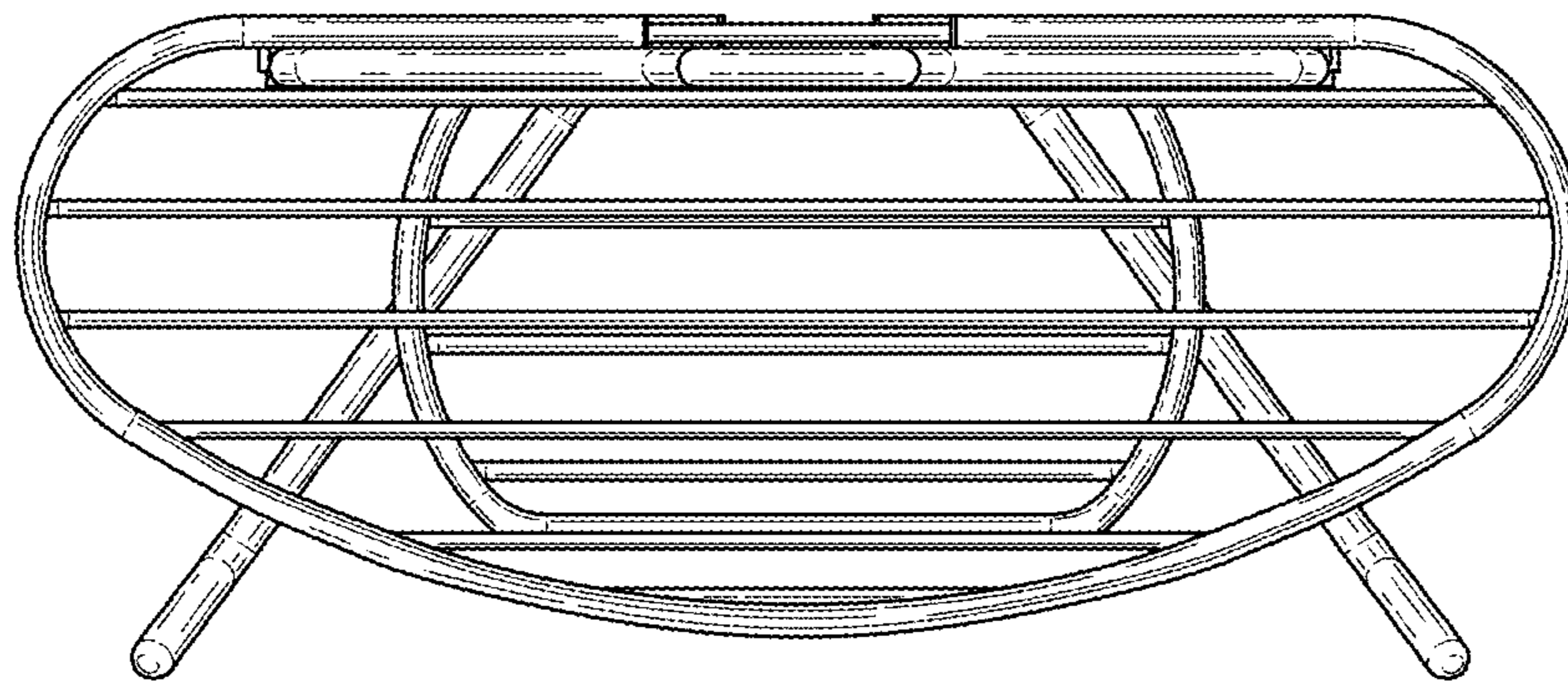


FIG. 6

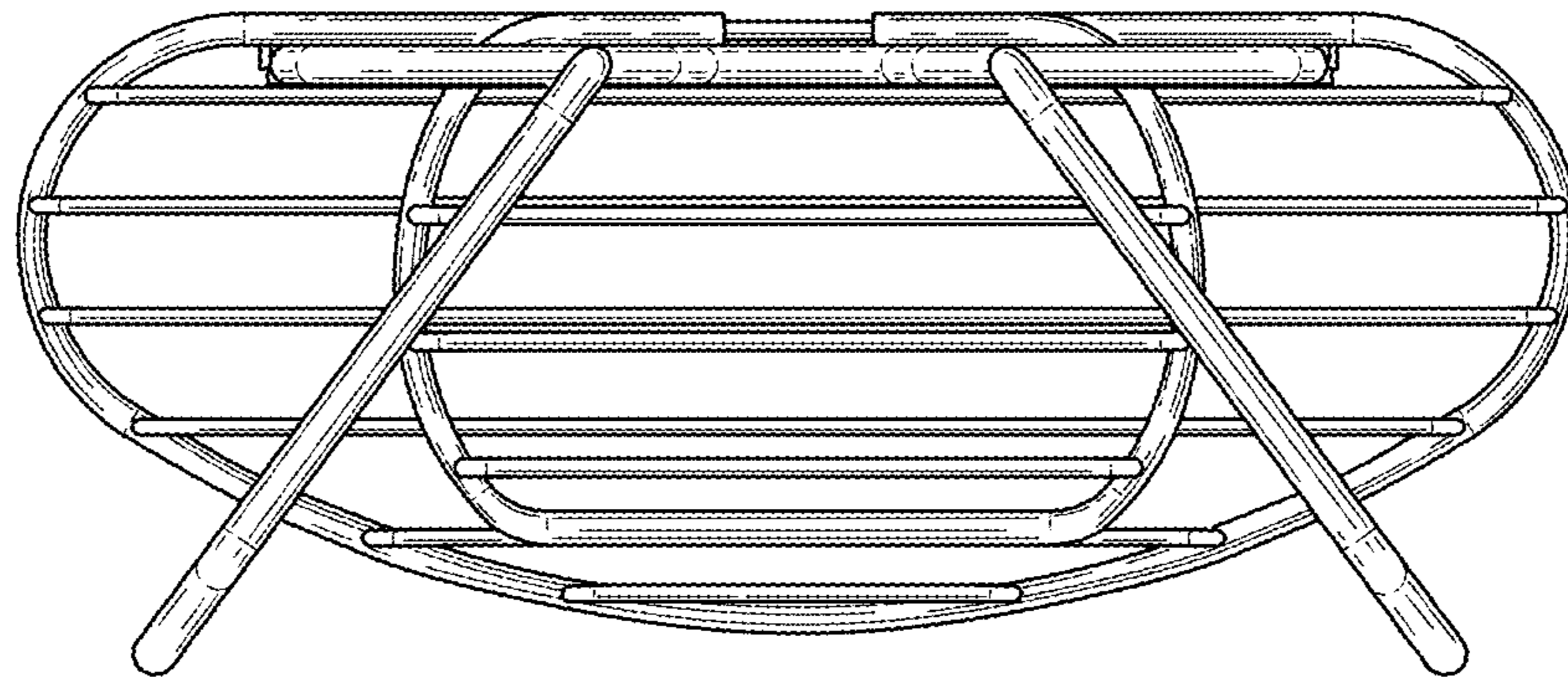


FIG. 7