

US00D728258S

(12) **United States Design Patent**
Cohen

(10) **Patent No.:** **US D728,258 S**

(45) **Date of Patent:** **** May 5, 2015**

(54) **ROLL DISPENSER**

(71) Applicant: **Amos Cohen**, Even Yehuda (IL)

(72) Inventor: **Amos Cohen**, Even Yehuda (IL)

(**) Term: **14 Years**

(21) Appl. No.: **29/475,339**

(22) Filed: **Dec. 3, 2013**

(51) **LOC (10) Cl.** **20-02**

(52) **U.S. Cl.**
USPC **D6/518**

(58) **Field of Classification Search**
USPC D6/515, 518; D34/10; 206/390, 397,
206/409, 303; 220/908, 909, 403, 404, 407;
53/549, 567, 576; D7/354, 357, 677,
D7/359

See application file for complete search history.

(56) **References Cited**

U.S. PATENT DOCUMENTS

D441,577 S * 5/2001 Benedetti D6/518
D522,782 S * 6/2006 Benedetti et al. D6/518

D595,075 S * 6/2009 Ramos Peon D6/518
D625,537 S * 10/2010 Maxwell et al. D6/518
D666,442 S * 9/2012 Sharp et al. D6/518
D718,952 S * 12/2014 Currat et al. D6/515

* cited by examiner

Primary Examiner — Brian N Vinson

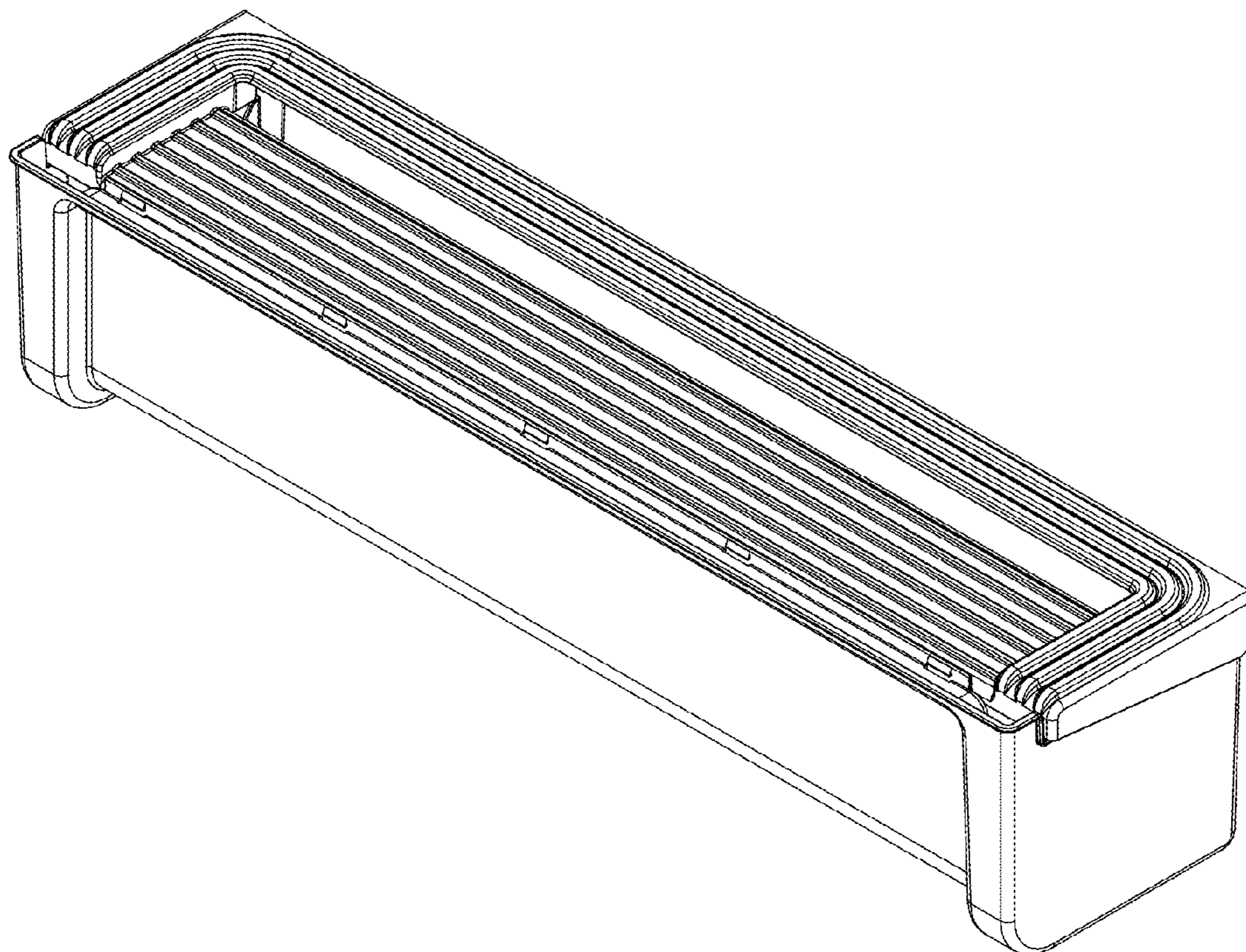
(57) **CLAIM**

The ornamental design for a roll dispenser, as shown and described.

DESCRIPTION

FIG. 1 is an isometric view of a roll dispenser showing my new design;
FIG. 2 is a front view of the roll dispenser;
FIG. 3 is a side view of the roll dispenser;
FIG. 4 is a rear view of the roll dispenser;
FIG. 5 is a top view of the roll dispenser;
FIG. 6 is a bottom view of the roll dispenser; and,
FIG. 7 is an isometric view of the roll dispenser in open conformation.

1 Claim, 7 Drawing Sheets



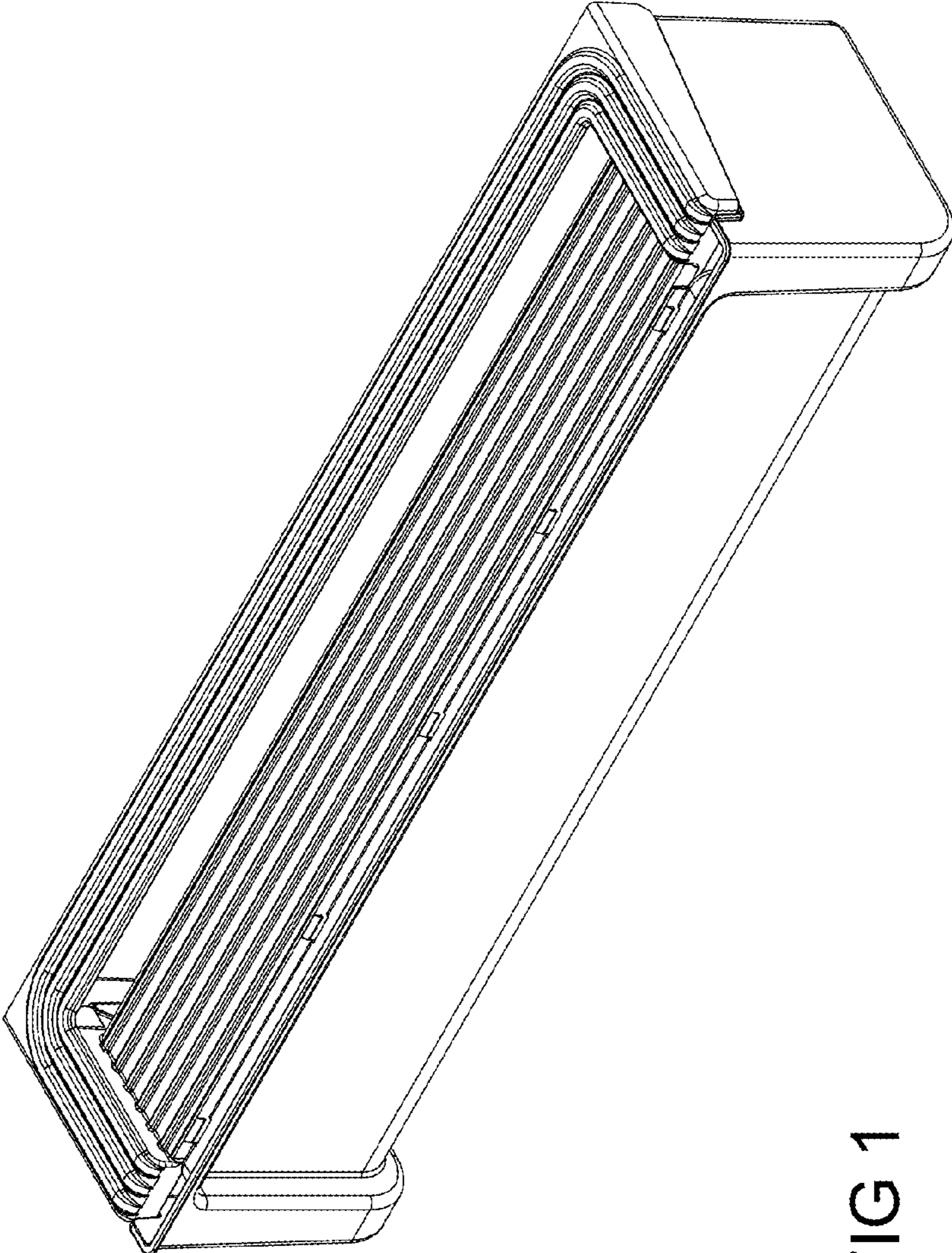


FIG 1

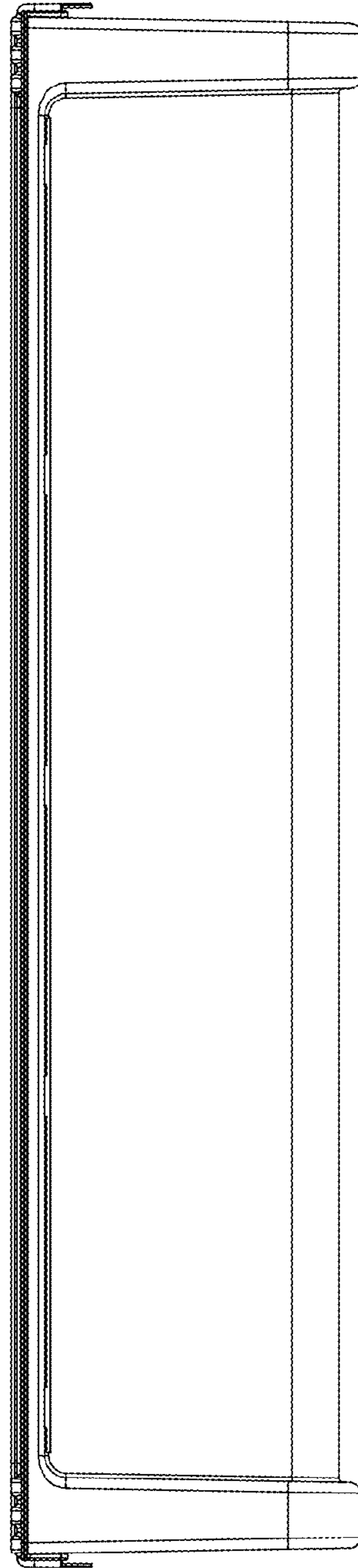


FIG 2

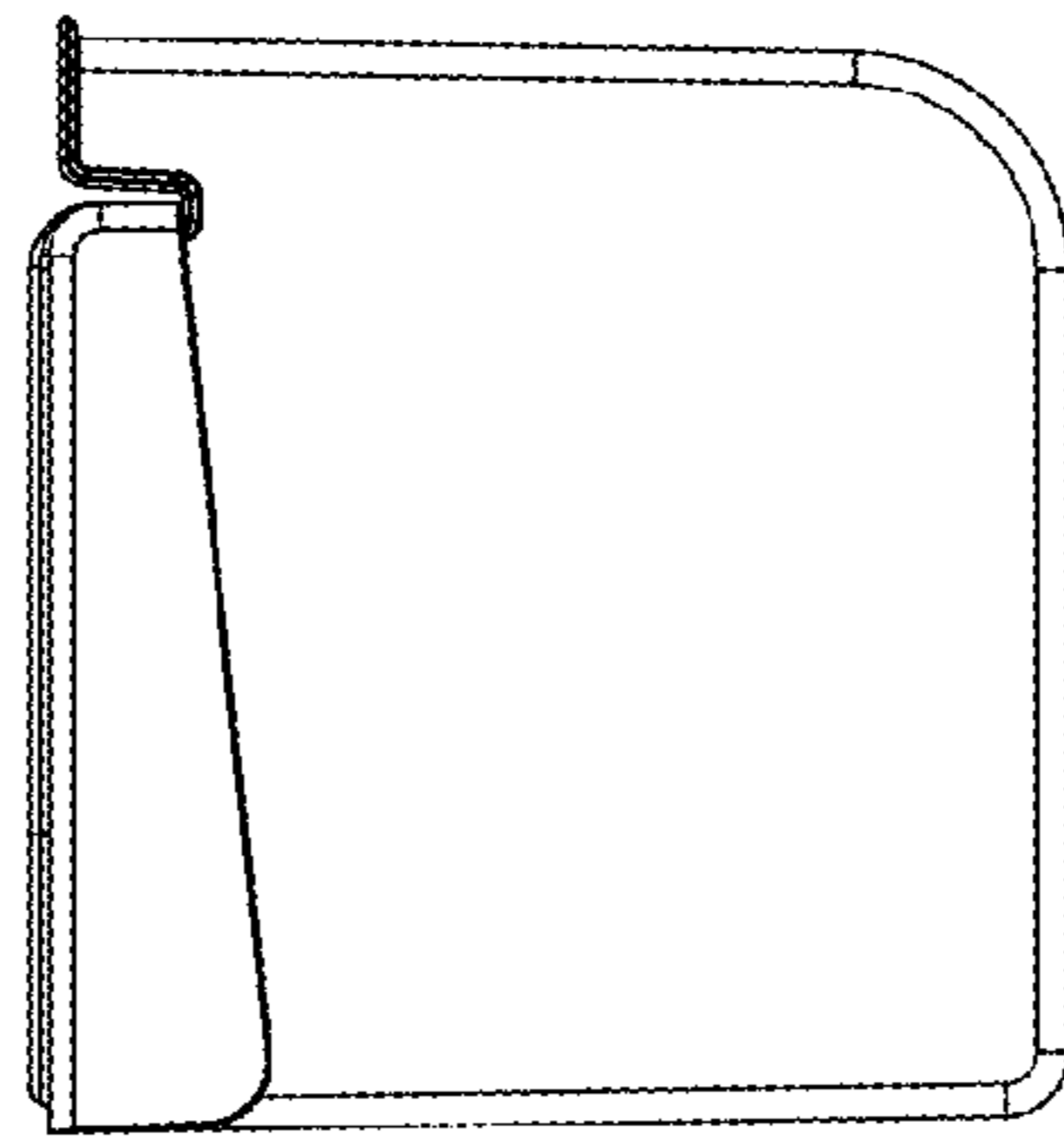


FIG 3

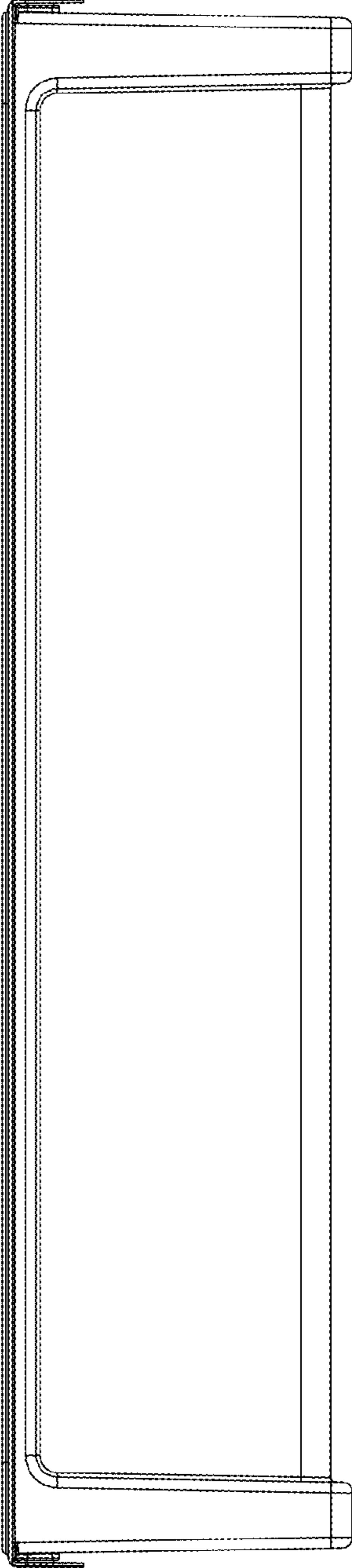


FIG 4

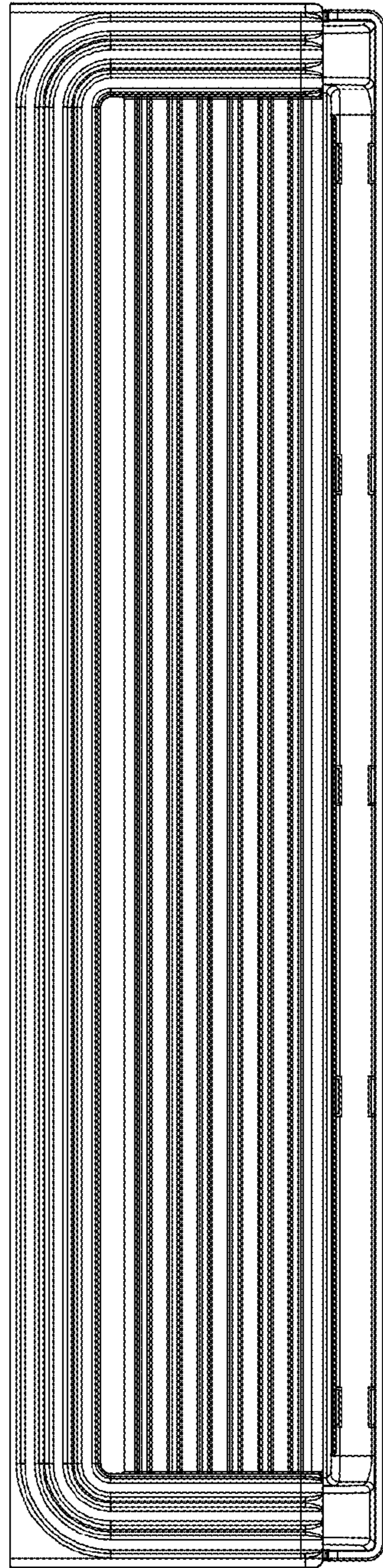


FIG 5

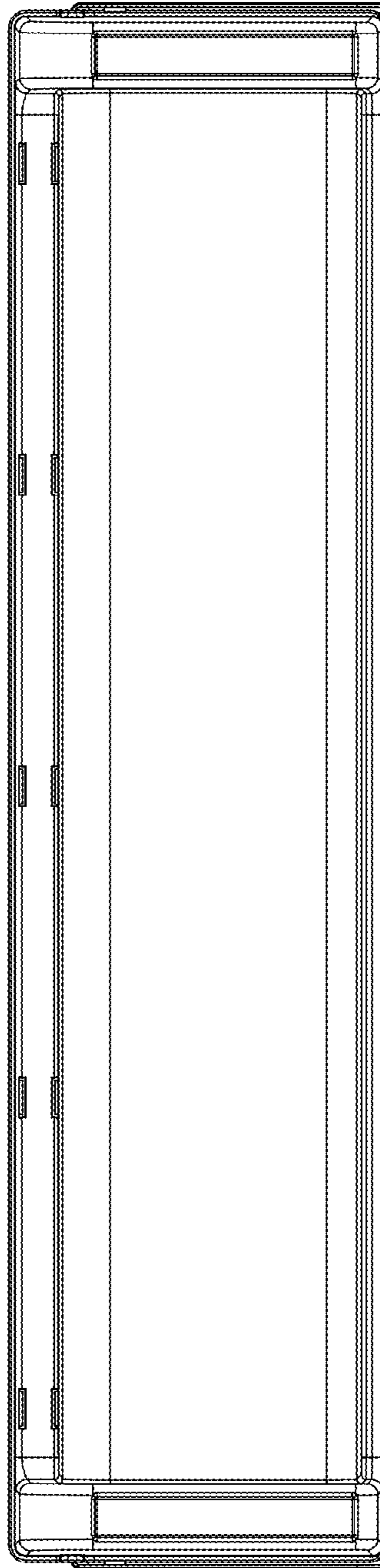


FIG 6

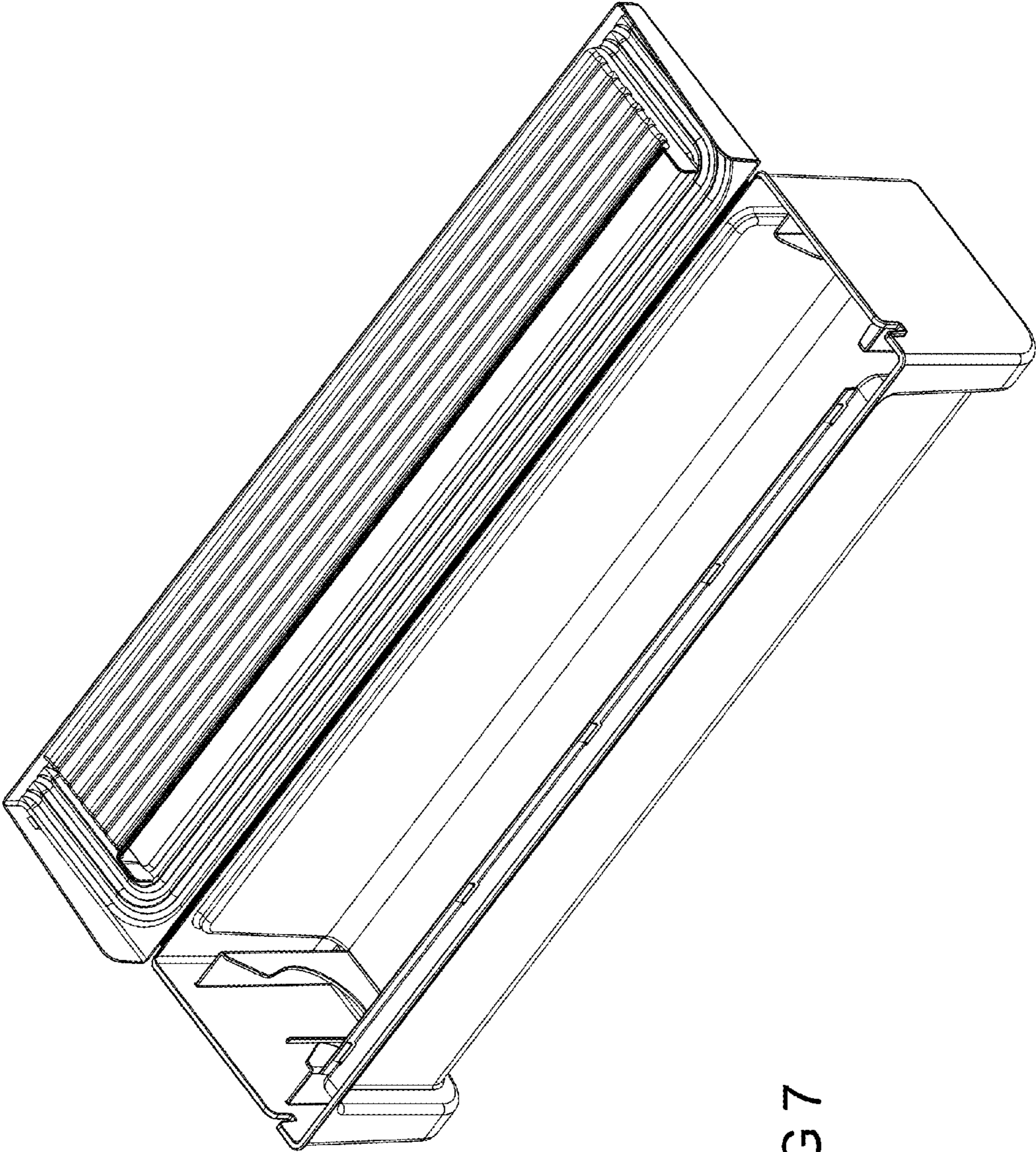


FIG 7