



US00D728257S

(12) **United States Design Patent**  
**Nagel**

(10) **Patent No.:** **US D728,257 S**  
(45) **Date of Patent:** **\*\* May 5, 2015**

(54) **STACKABLE RETAIL MERCHANDISE CONTAINER**

D393,005 S \* 3/1998 Devito ..... D6/567  
D496,179 S \* 9/2004 Sjoberg ..... D6/408  
7,631,771 B2 12/2009 Nagel et al.

(71) Applicant: **Thomas O. Nagel**, Rockford, IL (US)

\* cited by examiner

(72) Inventor: **Thomas O. Nagel**, Rockford, IL (US)

*Primary Examiner* — Brian N Vinson

(73) Assignee: **Southern Imperial, Inc.**, Rockford, IL (US)

(74) *Attorney, Agent, or Firm* — Reinhart Boerner Van Deuren P.C.

(\*\*) Term: **14 Years**

(57) **CLAIM**

I claim the ornamental design for the stackable retail merchandise container, as shown and described.

(21) Appl. No.: **29/479,828**

**DESCRIPTION**

(22) Filed: **Jan. 21, 2014**

(51) **LOC (10) Cl.** ..... **20-02**

(52) **U.S. Cl.**  
USPC ..... **D6/515**

(58) **Field of Classification Search**  
USPC ..... D6/515, 553, 567, 408; D7/705;  
211/13.1, 49.1, 59.3; 312/45  
See application file for complete search history.

FIG. 1 is a perspective view of the stackable retail merchandise container shown with unclaimed items of retail merchandise situated therein for purposes of environmental illustration:

FIG. 2 is a front view thereof;  
FIG. 3 is a back view thereof;  
FIG. 4 is a side view thereof;  
FIG. 5 is another side view thereof, opposite the side shown in FIG. 4;  
FIG. 6 is a top view thereof;  
FIG. 7 is a bottom view thereof; and,  
FIG. 8 is another perspective view thereof.

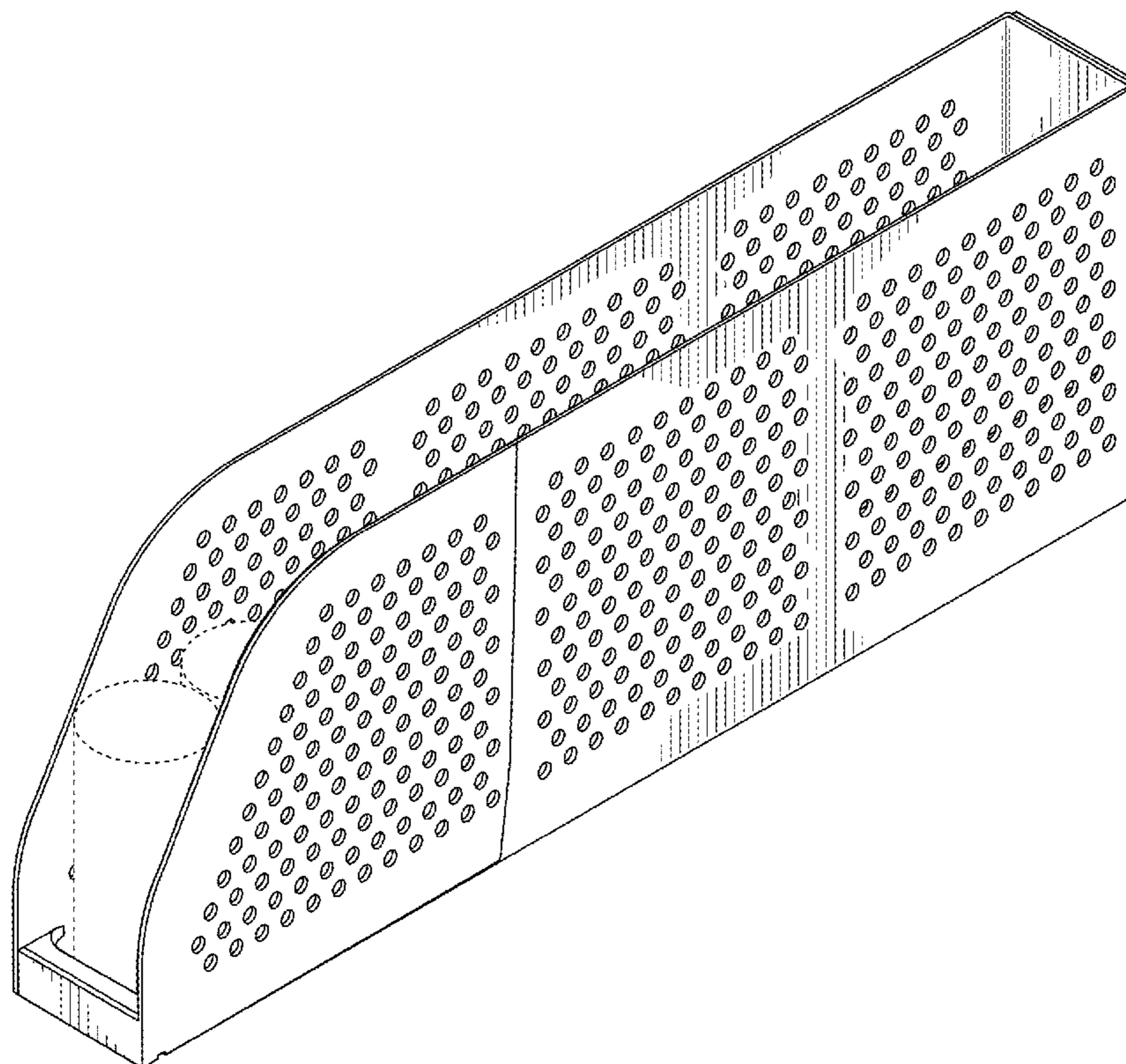
The use of broken lines are for purposes of illustrating unclaimed environment of the claimed design, and form no portion of the claimed design.

(56) **References Cited**

**U.S. PATENT DOCUMENTS**

2,572,090 A \* 10/1951 Durwood ..... 211/49.1  
4,098,383 A \* 7/1978 Carpman ..... 312/45  
D295,813 S \* 5/1988 Rowse et al. .... D6/408  
D381,849 S \* 8/1997 Snyder ..... D6/515

**1 Claim, 8 Drawing Sheets**



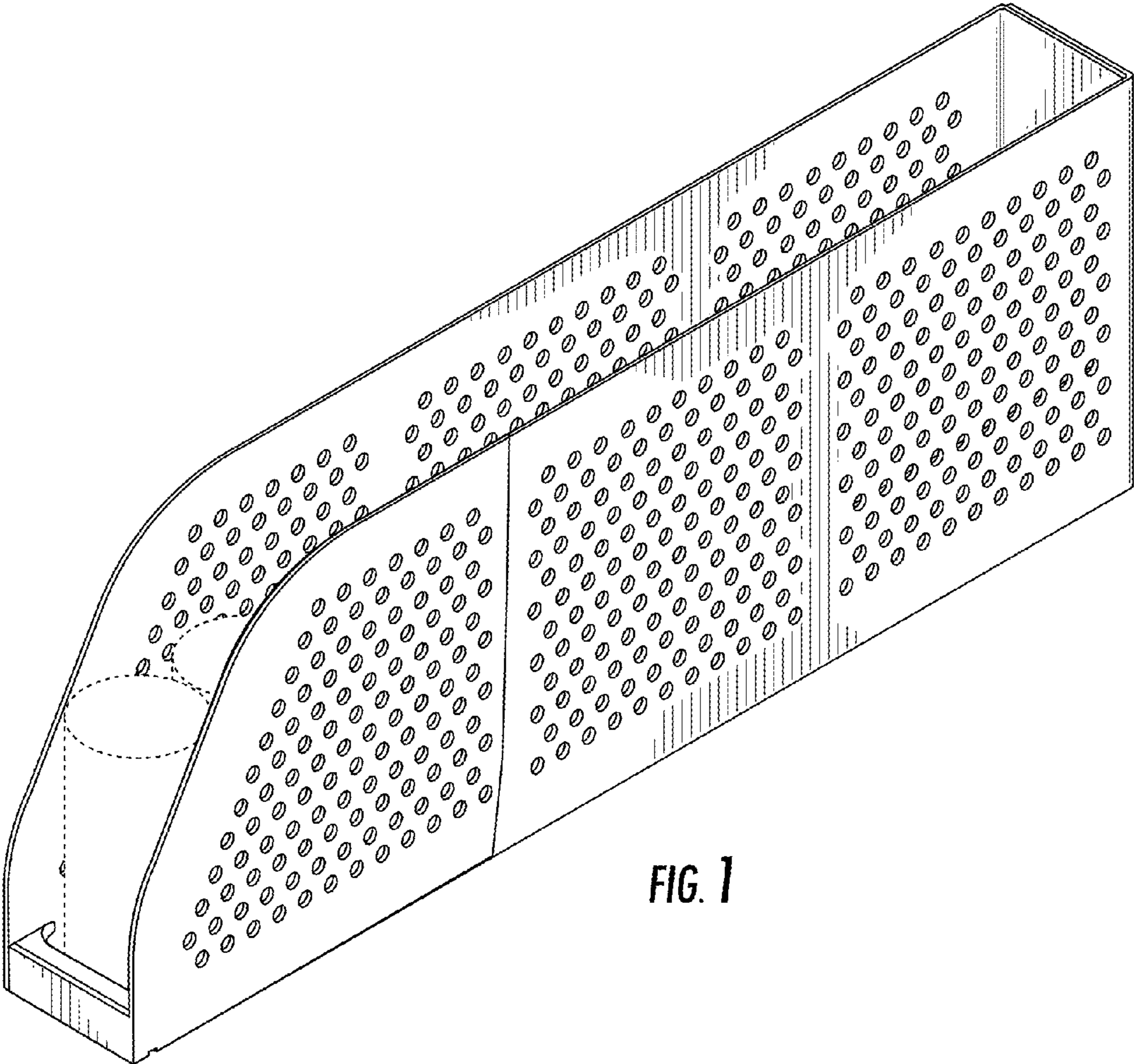
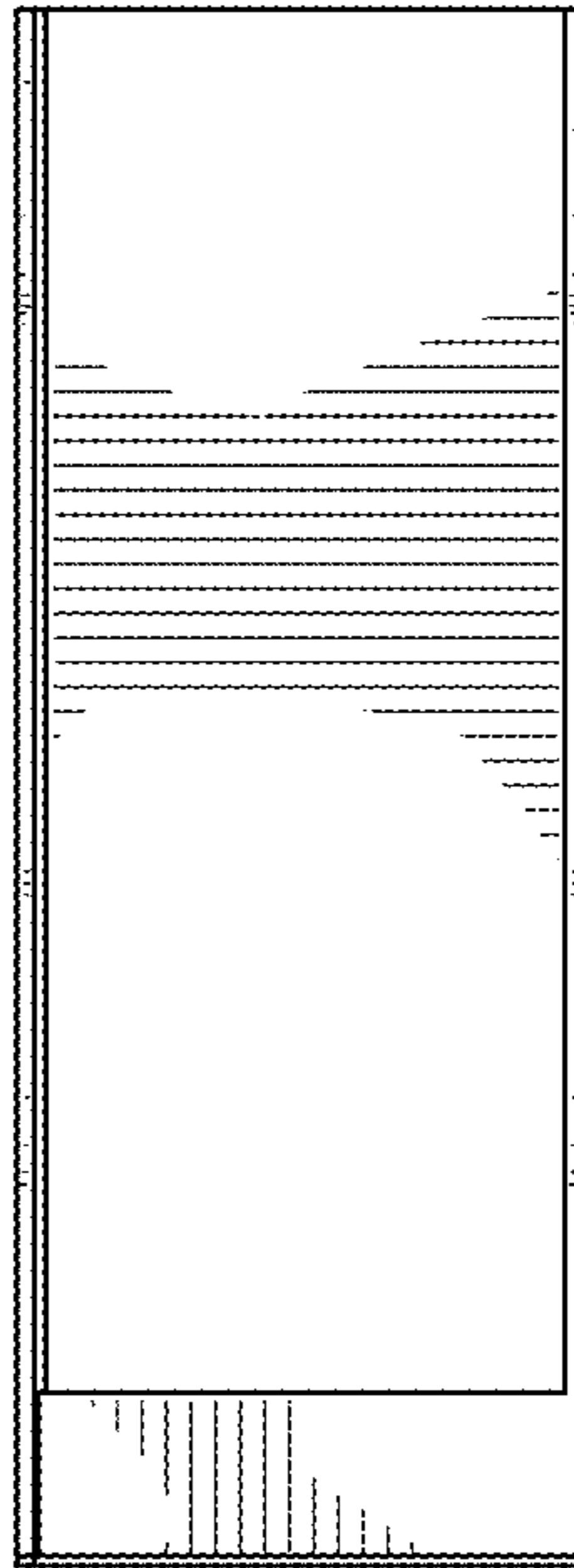
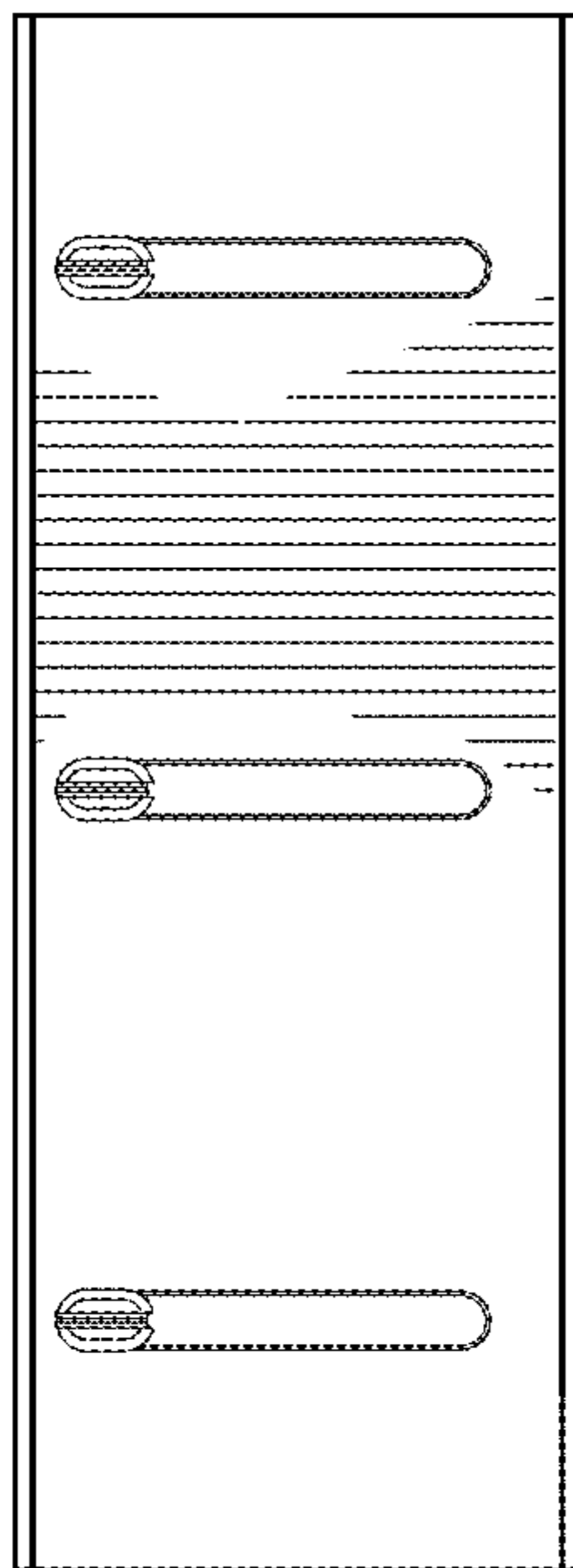


FIG. 1



**FIG. 2**



**FIG. 3**

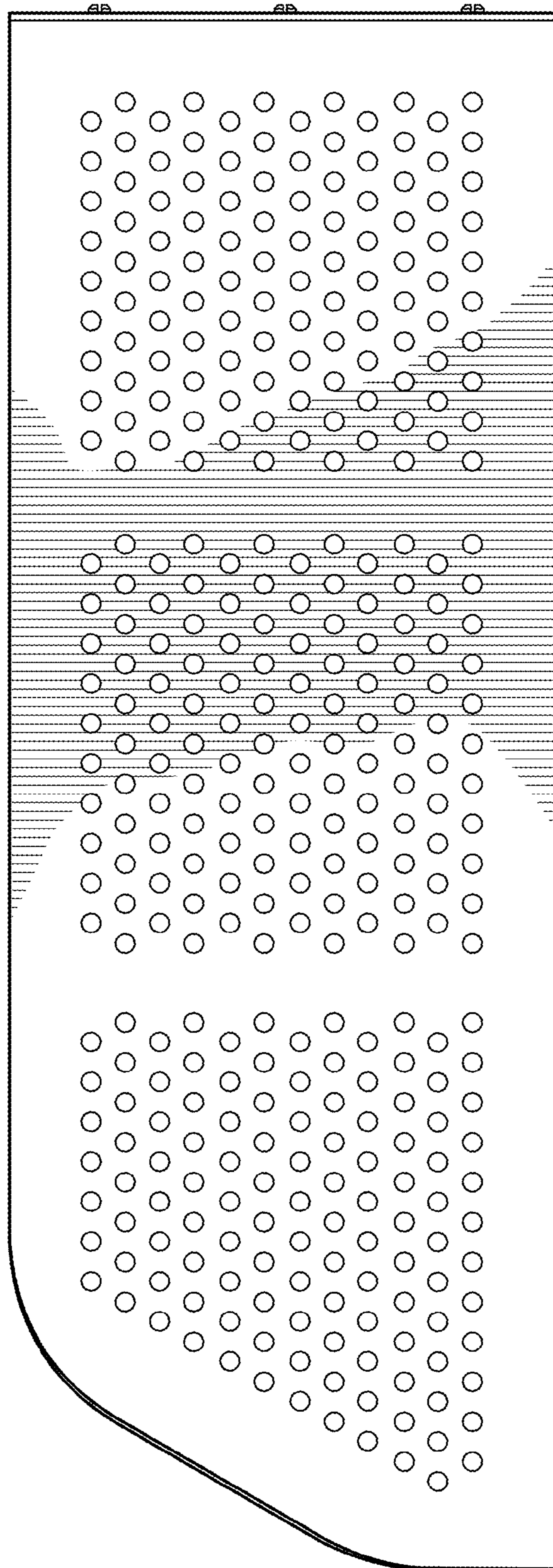


FIG. 4

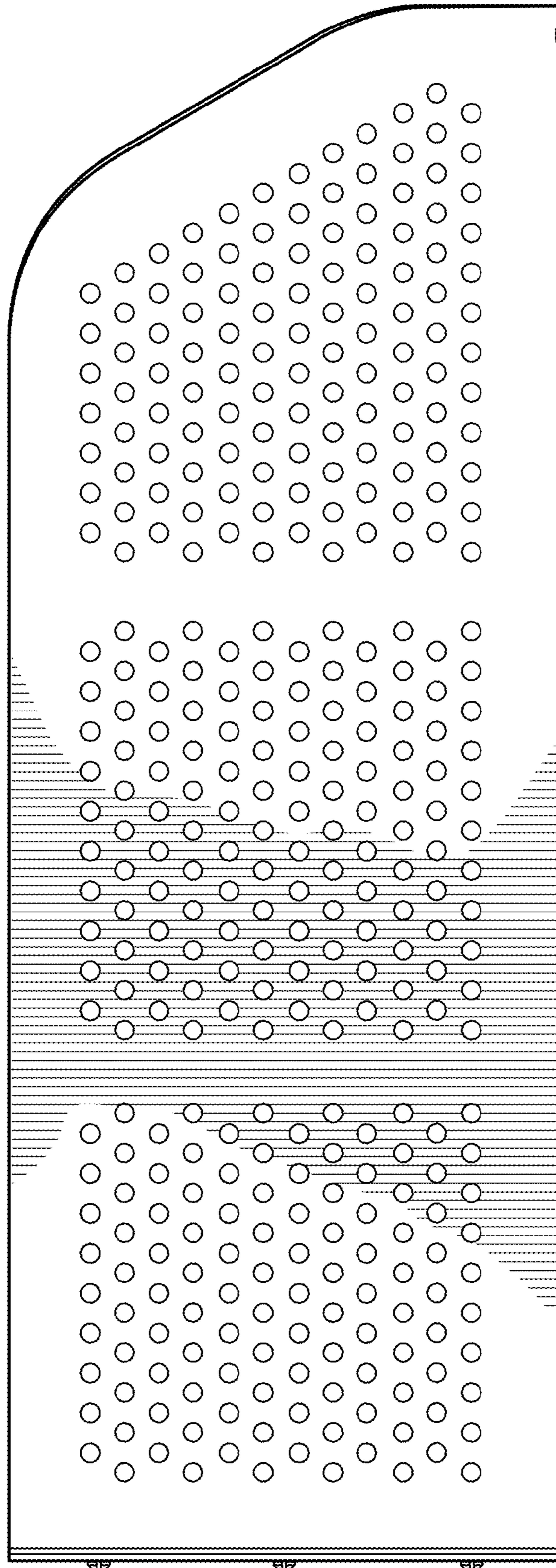
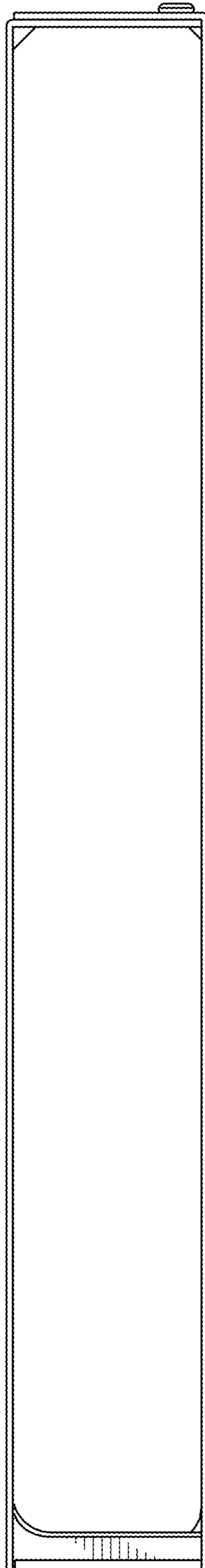
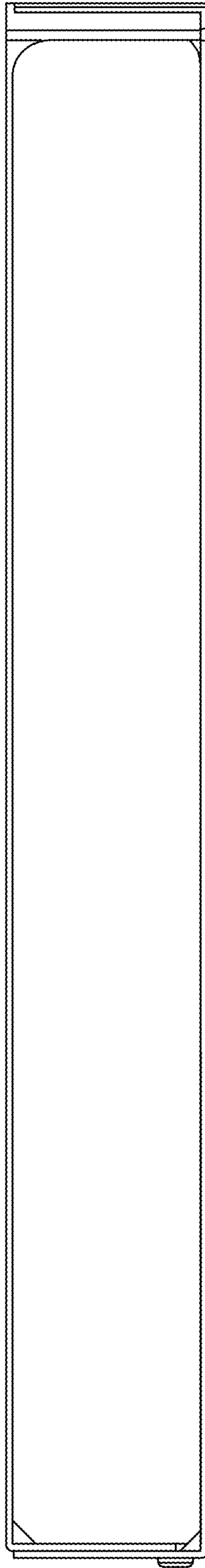


FIG. 5



**FIG. 6**



**FIG. 7**



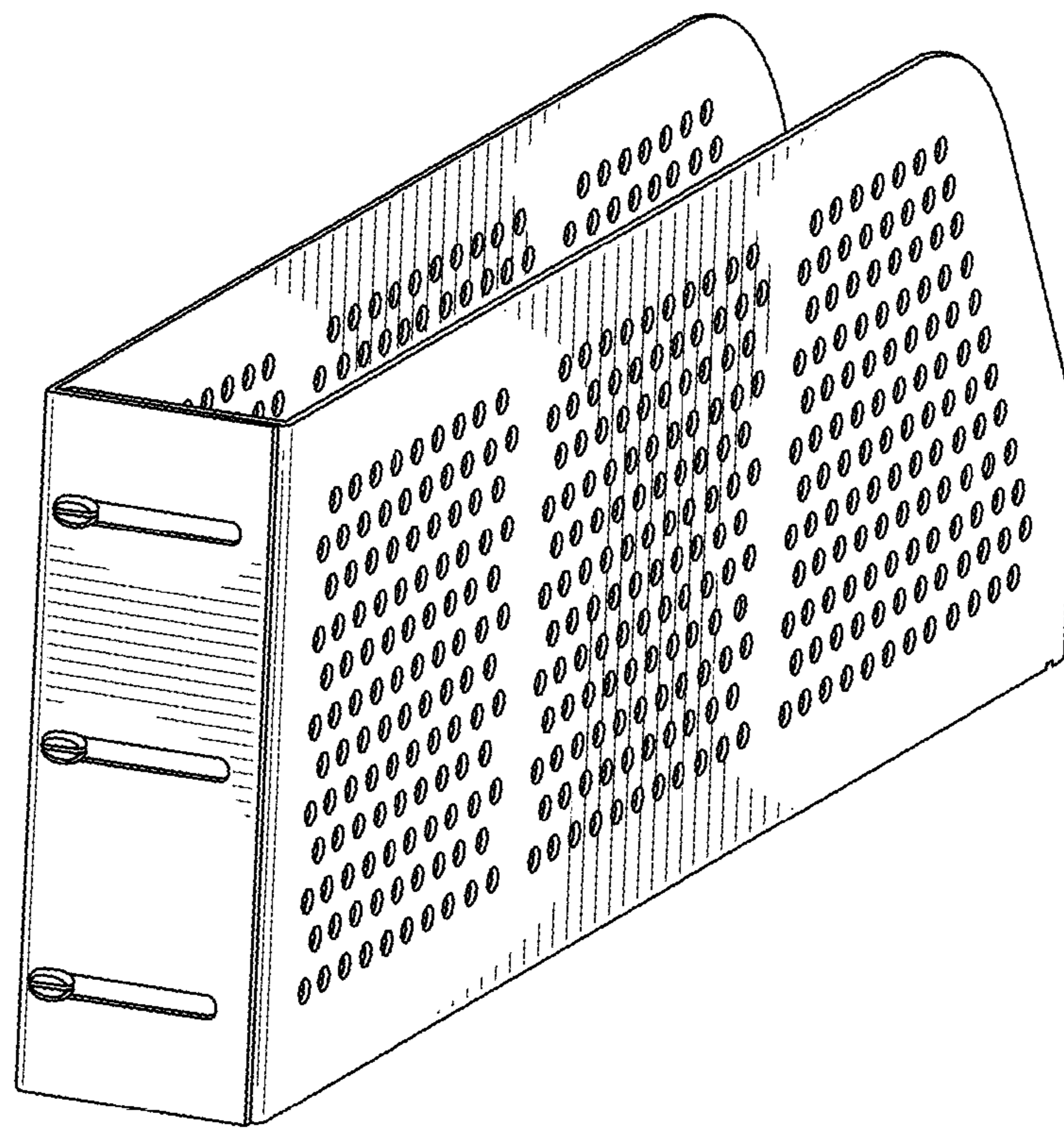


FIG. 8