



US00D728256S

(12) **United States Design Patent**  
**De Rossi**

(10) **Patent No.:** **US D728,256 S**

(45) **Date of Patent:** **\*\* May 5, 2015**

(54) **KITCHEN ROLL DISPENSER**

(71) Applicant: **Patrizio De Rossi**, Rome (IT)

(72) Inventor: **Patrizio De Rossi**, Rome (IT)

(\*\*) Term: **14 Years**

(21) Appl. No.: **29/435,931**

(22) Filed: **Oct. 31, 2012**

(30) **Foreign Application Priority Data**

Apr. 30, 2012 (IT) ..... RM2012O0029

(51) **LOC (10) Cl.** ..... **20-02**

(52) **U.S. Cl.**  
USPC ..... **D6/515**

(58) **Field of Classification Search**  
USPC ..... D6/515, 518; D34/10; 206/390, 397,  
206/409, 303; 220/908, 909, 403, 404, 407;  
53/549, 567, 576; D7/354, 357, 677,  
D7/359

See application file for complete search history.

(56) **References Cited**

**U.S. PATENT DOCUMENTS**

D452,788 S *	1/2002	Neiberger et al.	.....	D6/518
D569,667 S *	5/2008	Ovelar	.....	D6/518
D595,075 S *	6/2009	Ramos Peon	.....	D6/518
D604,541 S *	11/2009	Bone et al.	.....	D6/518
D625,537 S *	10/2010	Maxwell et al.	.....	D6/518
D637,027 S *	5/2011	Withers	.....	D6/518

D666,442 S *	9/2012	Sharp et al.	.....	D6/518
D669,716 S *	10/2012	Razavi et al.	.....	D6/518
D697,332 S *	1/2014	Huang	.....	D6/518

\* cited by examiner

*Primary Examiner* — Brian N Vinson

(74) *Attorney, Agent, or Firm* — Hershkovitz & Associates, PLLC; Abe Hershkovitz

(57) **CLAIM**

The ornamental design for a kitchen roll dispenser, as shown and described.

**DESCRIPTION**

FIG. 1 is a top, front, and right side perspective view of a kitchen roll dispenser showing my new design in a first operative position (with the saw in a retracted position);

FIG. 2 is a top, rear, and right side perspective view thereof; FIG. 3 is a bottom, front and right side perspective view thereof;

FIG. 4 is a top, front, and right side perspective view thereof, in a second operative position (with the saw in an extracted position);

FIG. 5 is a top, front, and right side perspective view thereof, in a maintenance position (with the door in an open position);

FIG. 6 is left side elevational view thereof;

FIG. 7 is a right side elevation view thereof;

FIG. 8 is a front elevational view thereof;

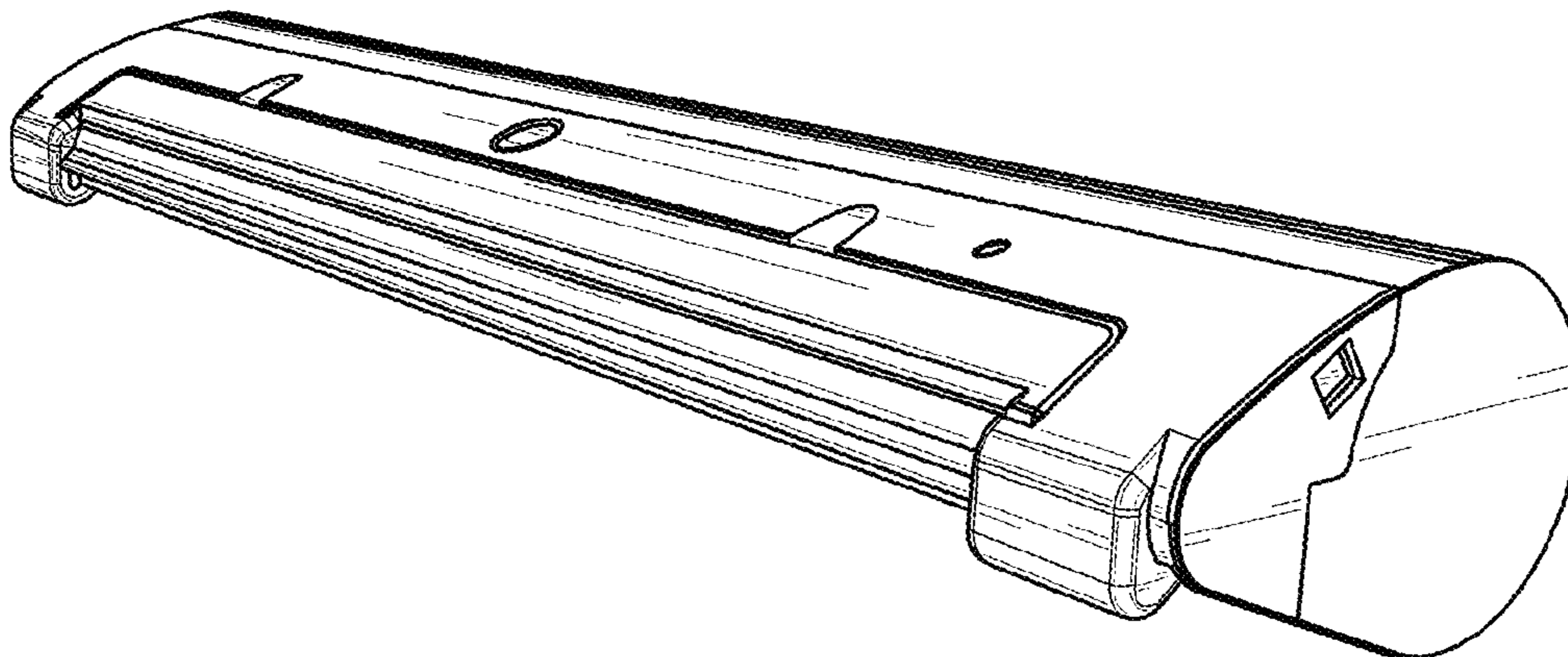
FIG. 9 is a rear elevational view thereof;

FIG. 10 is a bottom plan view thereof; and,

FIG. 11 is a top plan view thereof.

The broken-line disclosure represents portions of the dispenser which form no part of the claimed design.

**1 Claim, 4 Drawing Sheets**



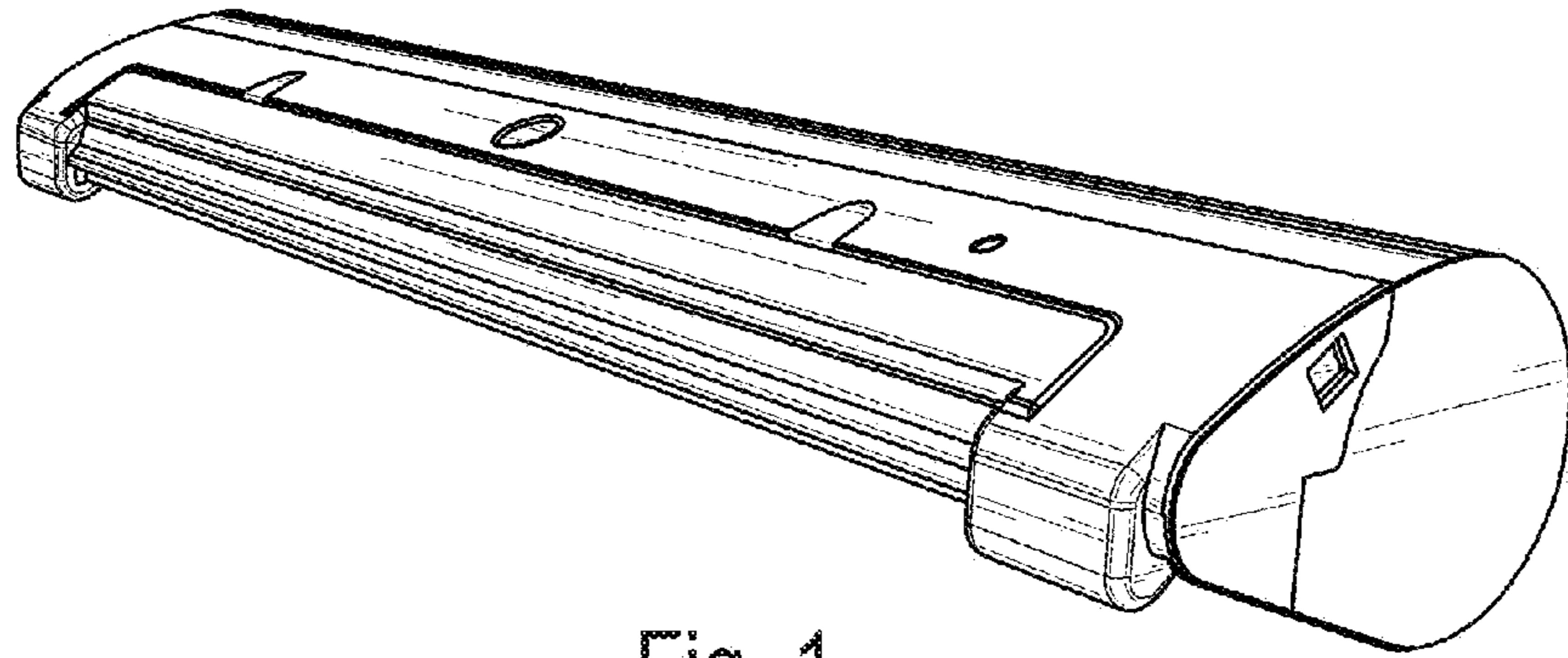


Fig. 1

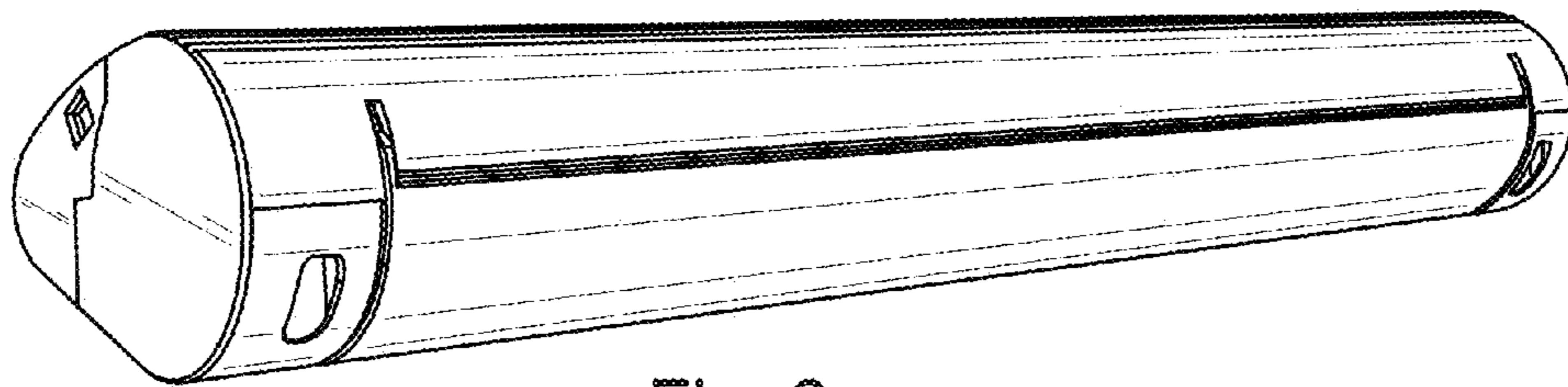


Fig. 2

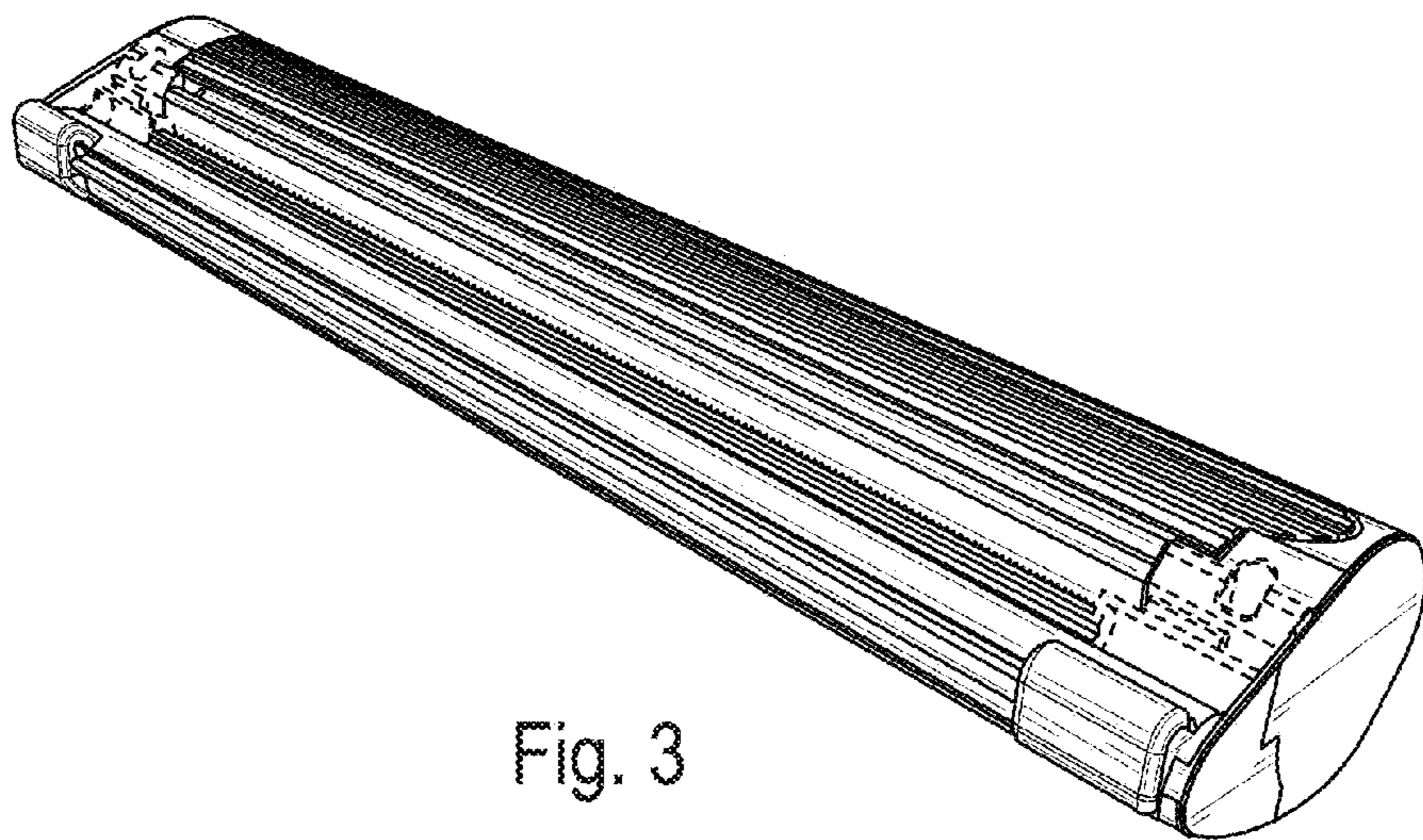


Fig. 3

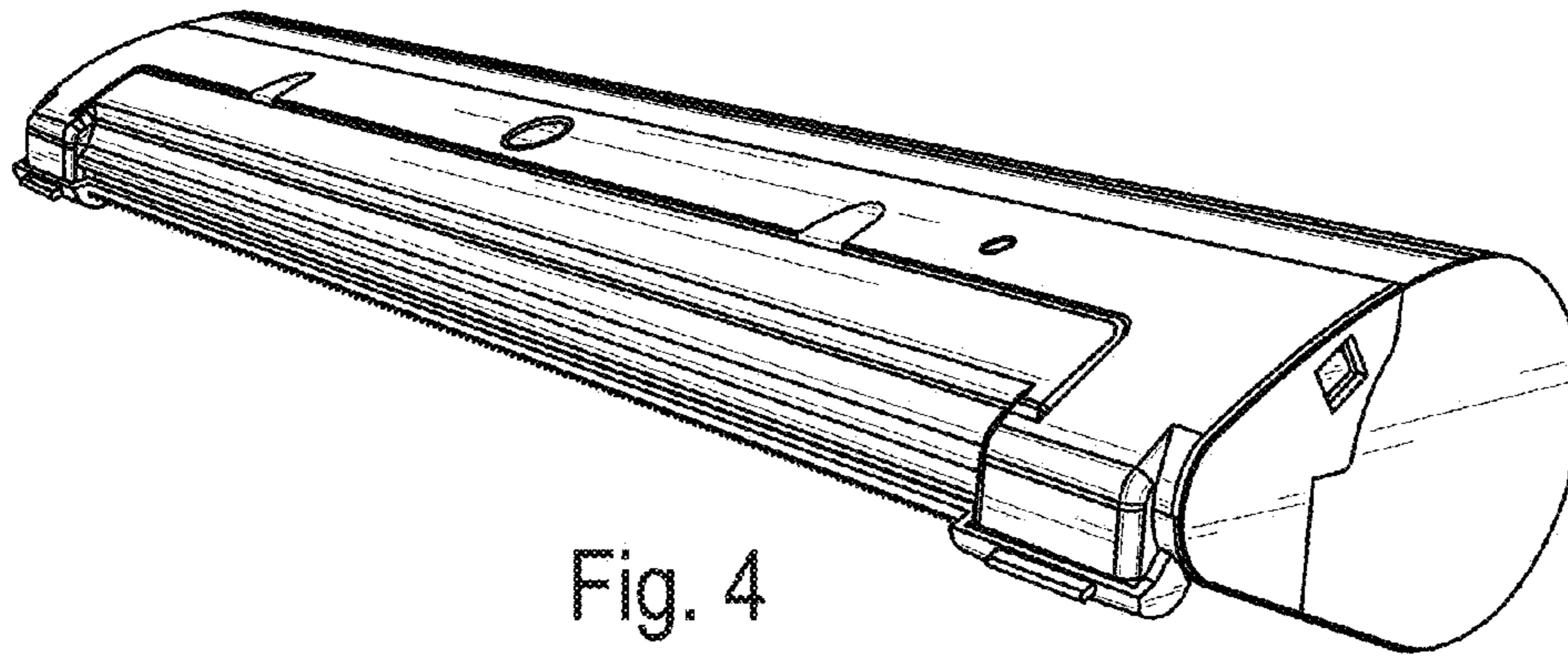


Fig. 4

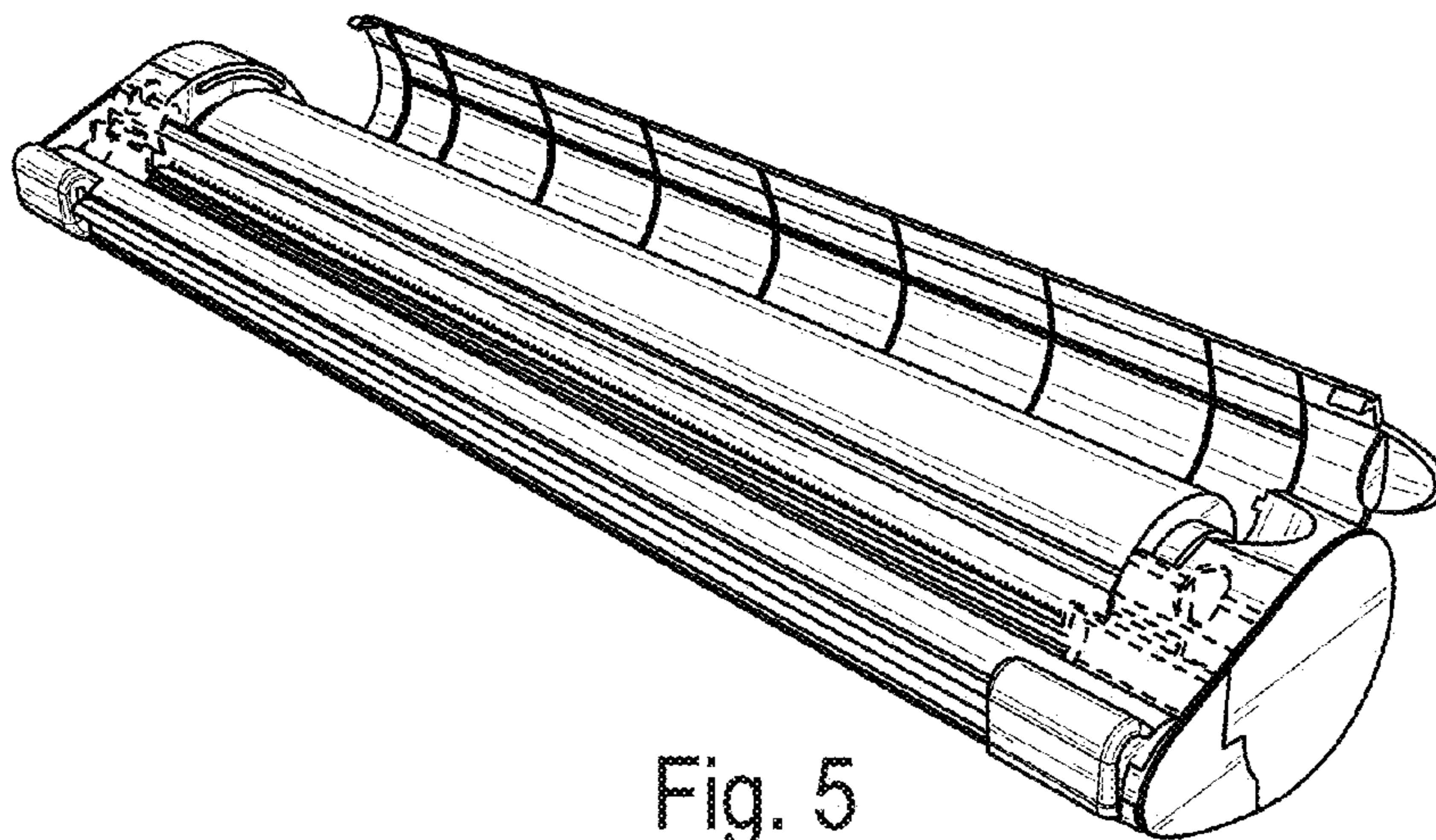


Fig. 5

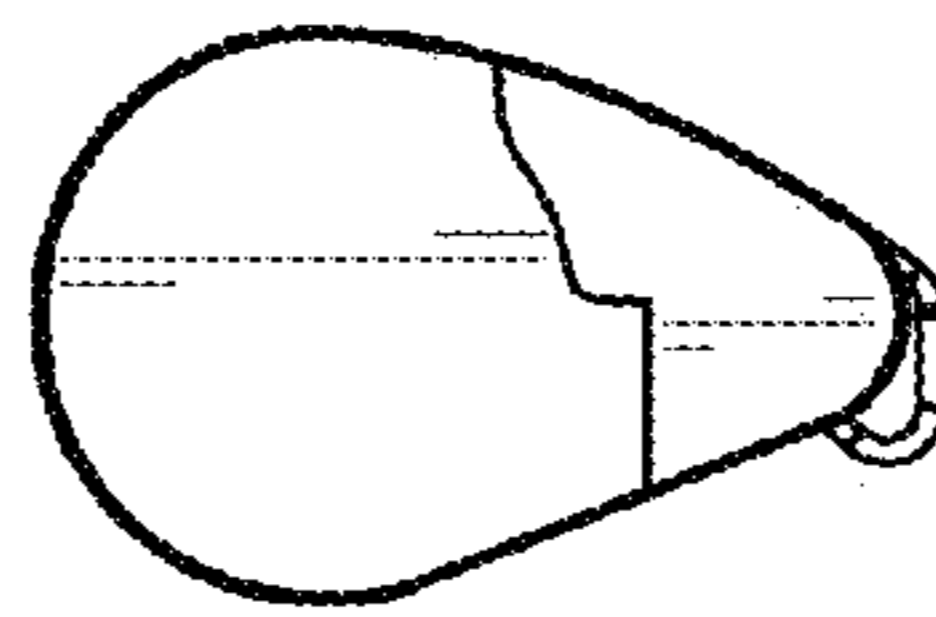


Fig. 6

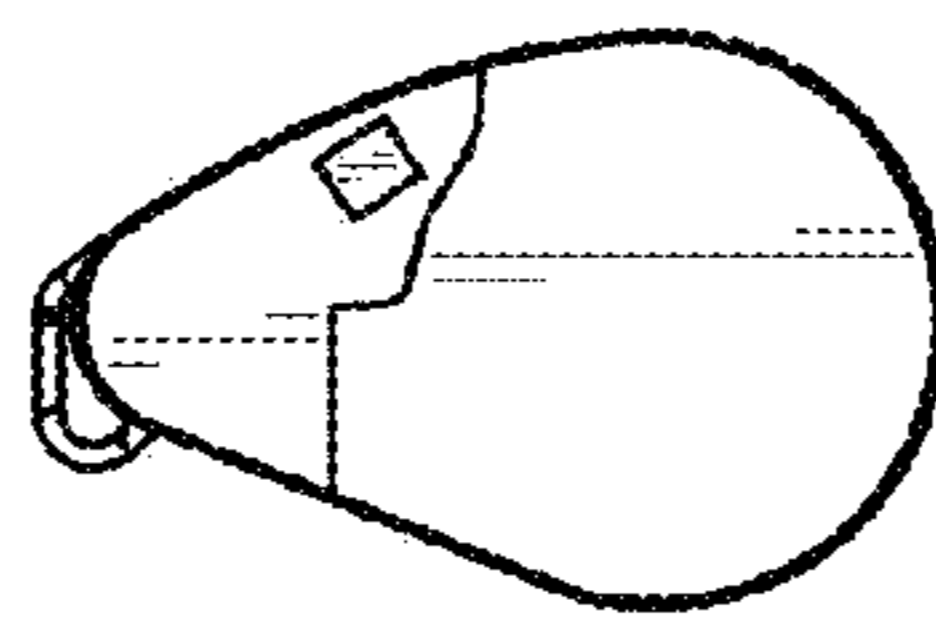


Fig. 7

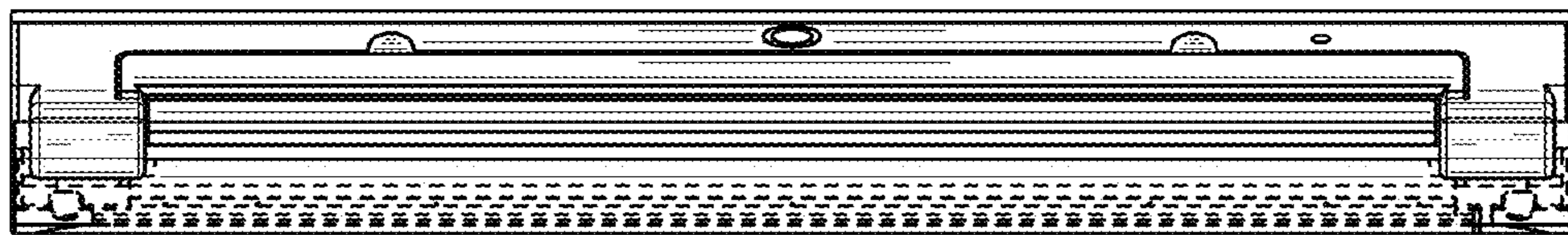


Fig. 8

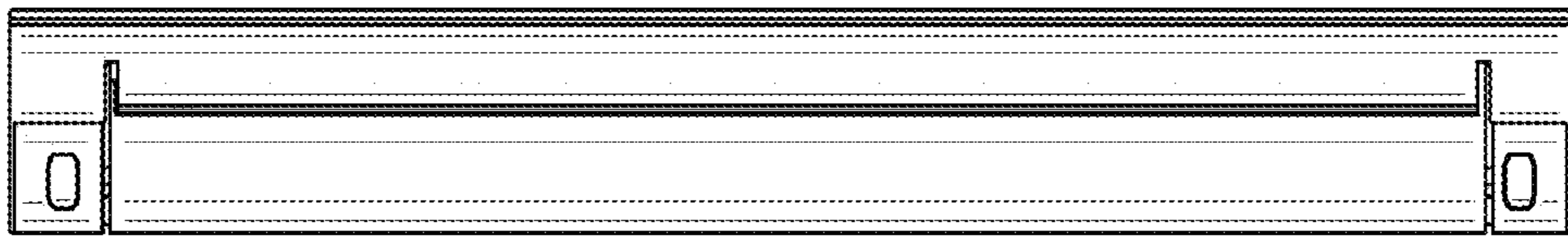


Fig. 9

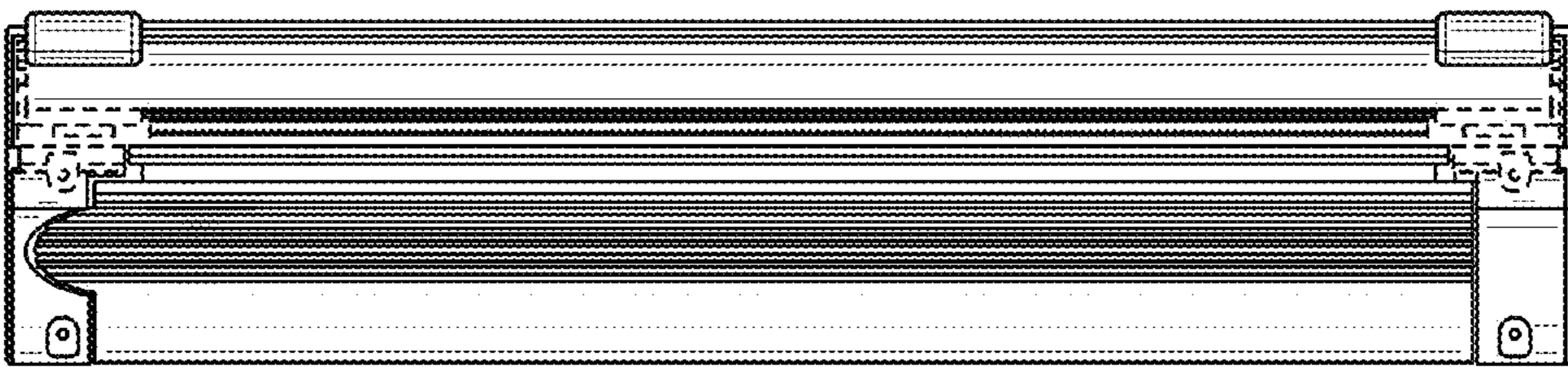


Fig. 10

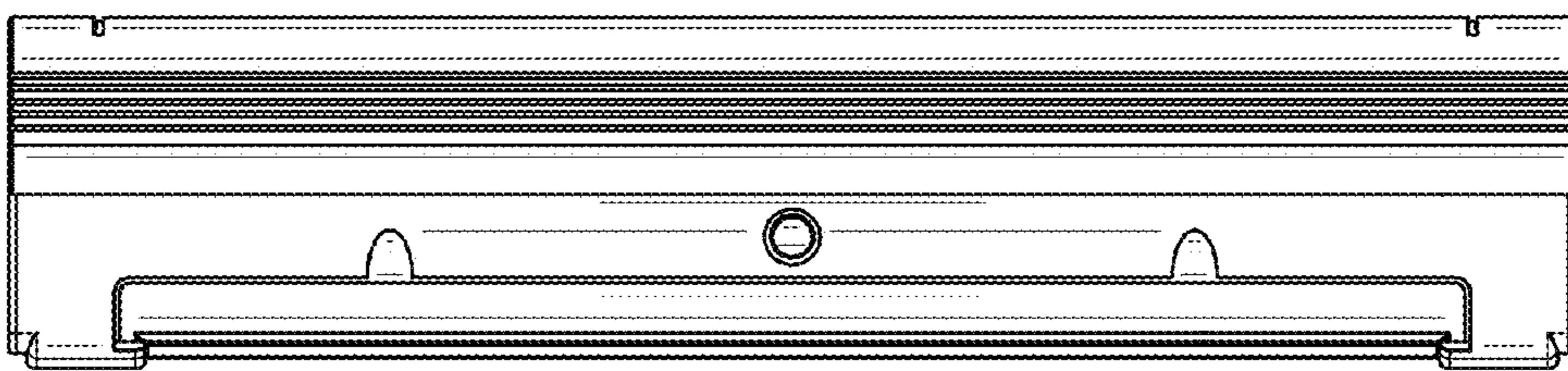


Fig. 11