

US00D728255S

(12) **United States Design Patent**  
**Guindi et al.**

(10) **Patent No.:** **US D728,255 S**  
(45) **Date of Patent:** **\*\* May 5, 2015**

- (54) **STORAGE BASKET**
- (71) Applicants: **Henry V. Guindi**, Brooklyn, NY (US);  
**Juan C. Escobar**, Edgewater, NJ (US)
- (72) Inventors: **Henry V. Guindi**, Brooklyn, NY (US);  
**Juan C. Escobar**, Edgewater, NJ (US)
- (73) Assignee: **HDS Trading Corp.**, North Brunswick,  
NJ (US)
- (\*\*) Term: **14 Years**
- (21) Appl. No.: **29/504,321**
- (22) Filed: **Oct. 3, 2014**
- (51) **LOC (10) Cl.** ..... **06-06**
- (52) **U.S. Cl.**  
USPC ..... **D6/513; D6/566**
- (58) **Field of Classification Search**  
USPC ..... D3/304-314; D6/512-514, 524, 525,  
D6/553, 566, 567; 248/302; 211/10, 11,  
211/13.1, 45, 50, 52, 55, 87.01, 90.03,  
211/126.9, 126.13, 88.01, 41.4, 86.1, 134,  
211/126.1, 181.1; 220/456, 9.4, 6, 7, 600,  
220/485, 488; 206/202, 513, 577  
See application file for complete search history.

- D458,640 S \* 6/2002 Hofman ..... D6/566
- D492,112 S \* 6/2004 Hardy ..... D6/513
- D570,634 S \* 6/2008 Goodman et al. .... D6/566
- D584,056 S \* 1/2009 Ghiorghie ..... D6/513
- D588,815 S \* 3/2009 Ghiorghie ..... D3/304
- D616,680 S \* 6/2010 Snider ..... D6/513
- D628,385 S \* 12/2010 Klein et al. .... D6/513
- D650,209 S \* 12/2011 Snider ..... D6/513
- D675,466 S \* 2/2013 Goodman et al. .... D6/566

\* cited by examiner

*Primary Examiner* — Brian N Vinson

(74) *Attorney, Agent, or Firm* — Ostrolenk Faber LLP

(57) **CLAIM**

The ornamental design for a storage basket, as shown and described.

**DESCRIPTION**

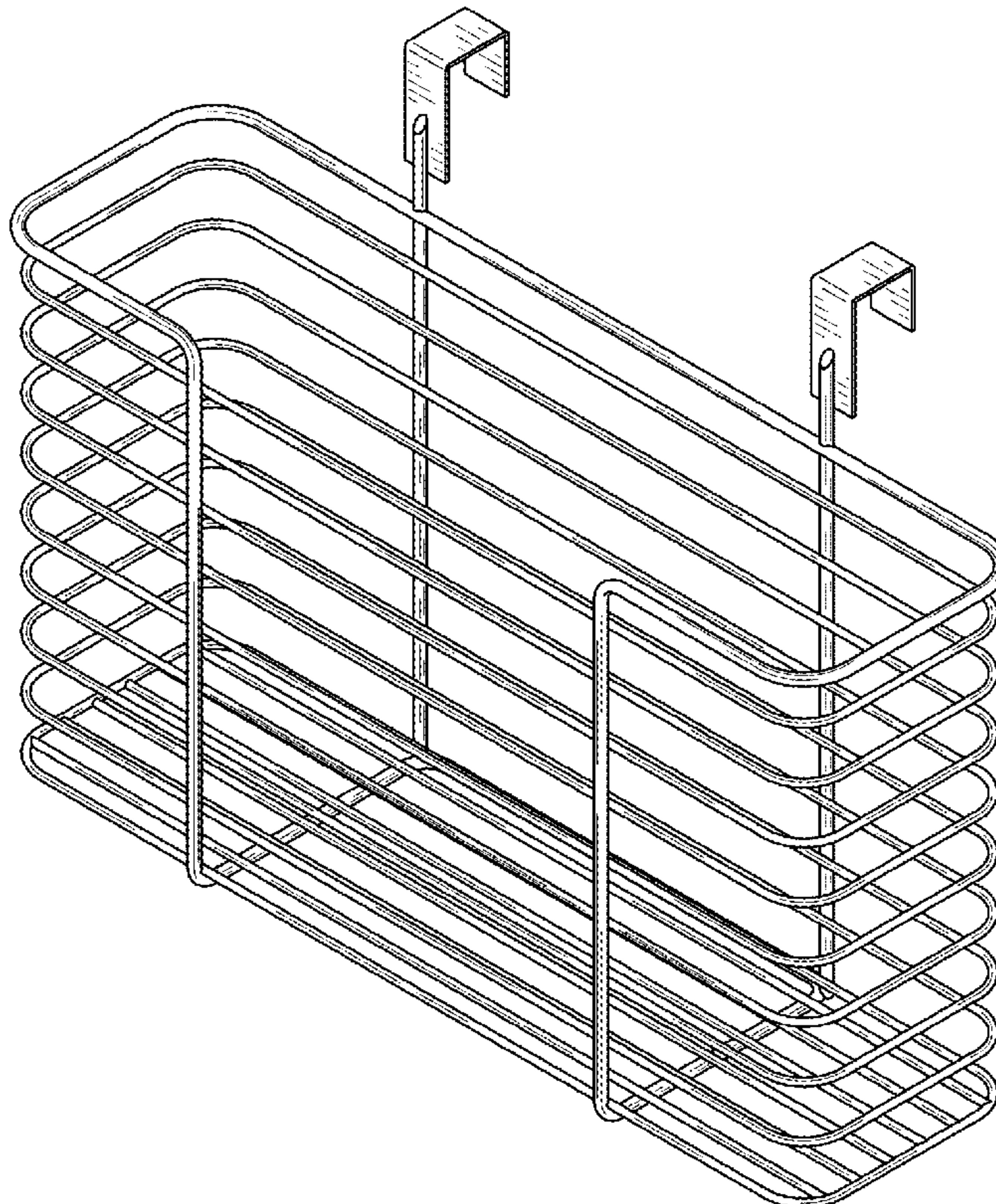
FIG. 1 is a top, front and side perspective view of a storage basket showing our new design;  
 FIG. 2 is a front plan view thereof;  
 FIG. 3 is a rear plan view thereof;  
 FIG. 4 is a side view thereof, the opposite side view being a mirror image thereof;  
 FIG. 5 is a top view thereof; and,  
 FIG. 6 is a bottom view thereof.

(56) **References Cited**

**U.S. PATENT DOCUMENTS**

- D343,712 S \* 1/1994 Linder ..... D6/513

**1 Claim, 3 Drawing Sheets**





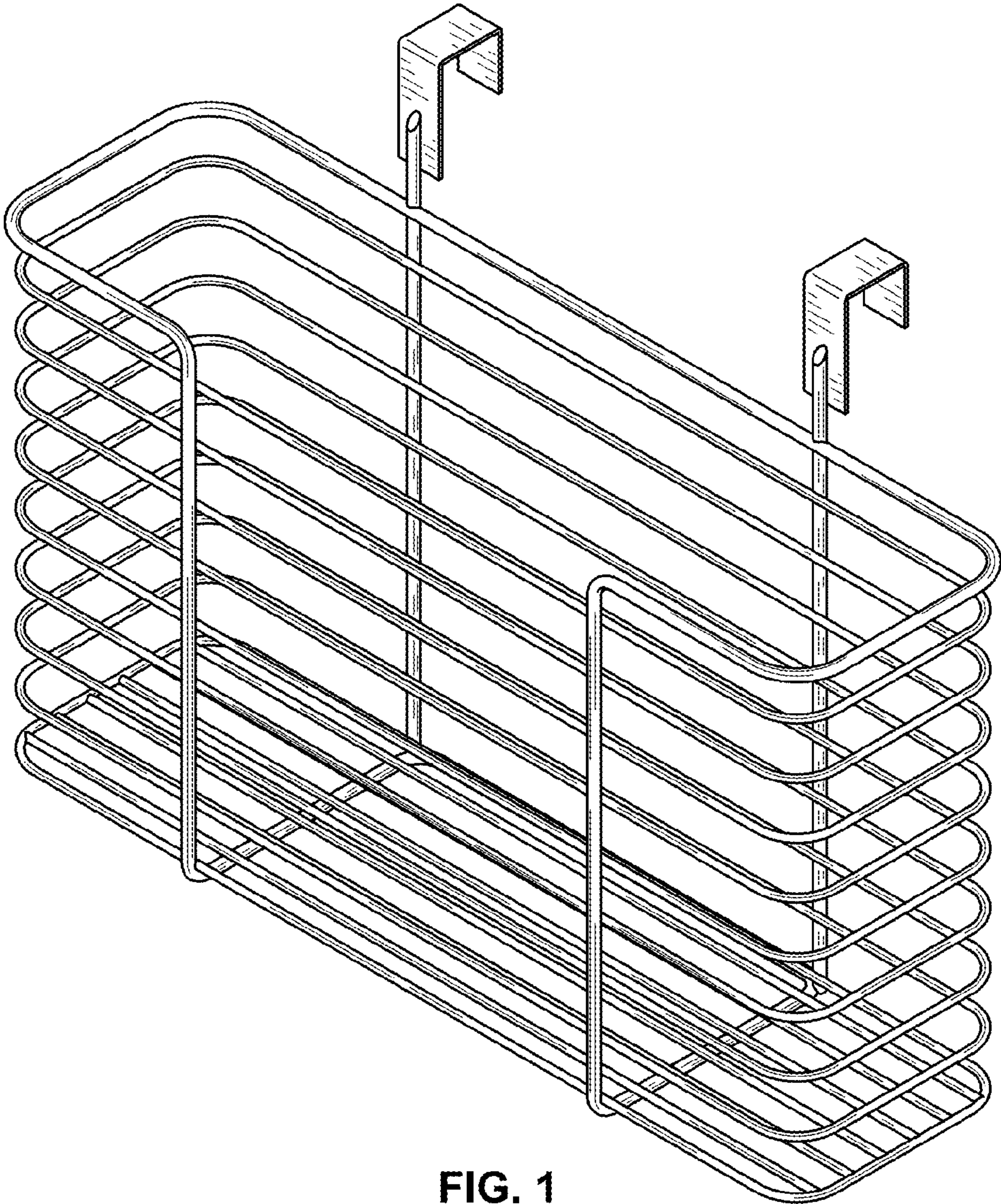


FIG. 1

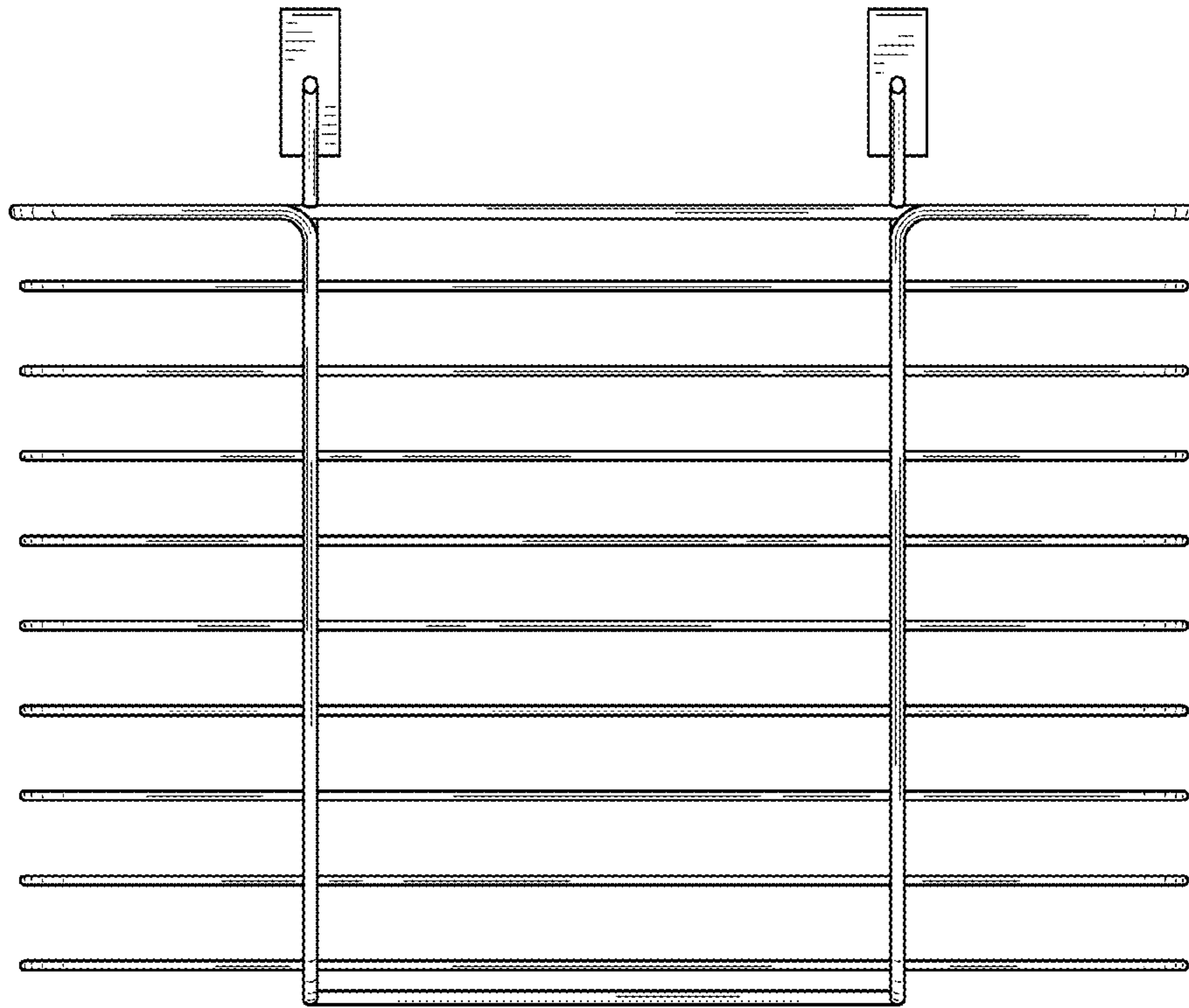


FIG. 2

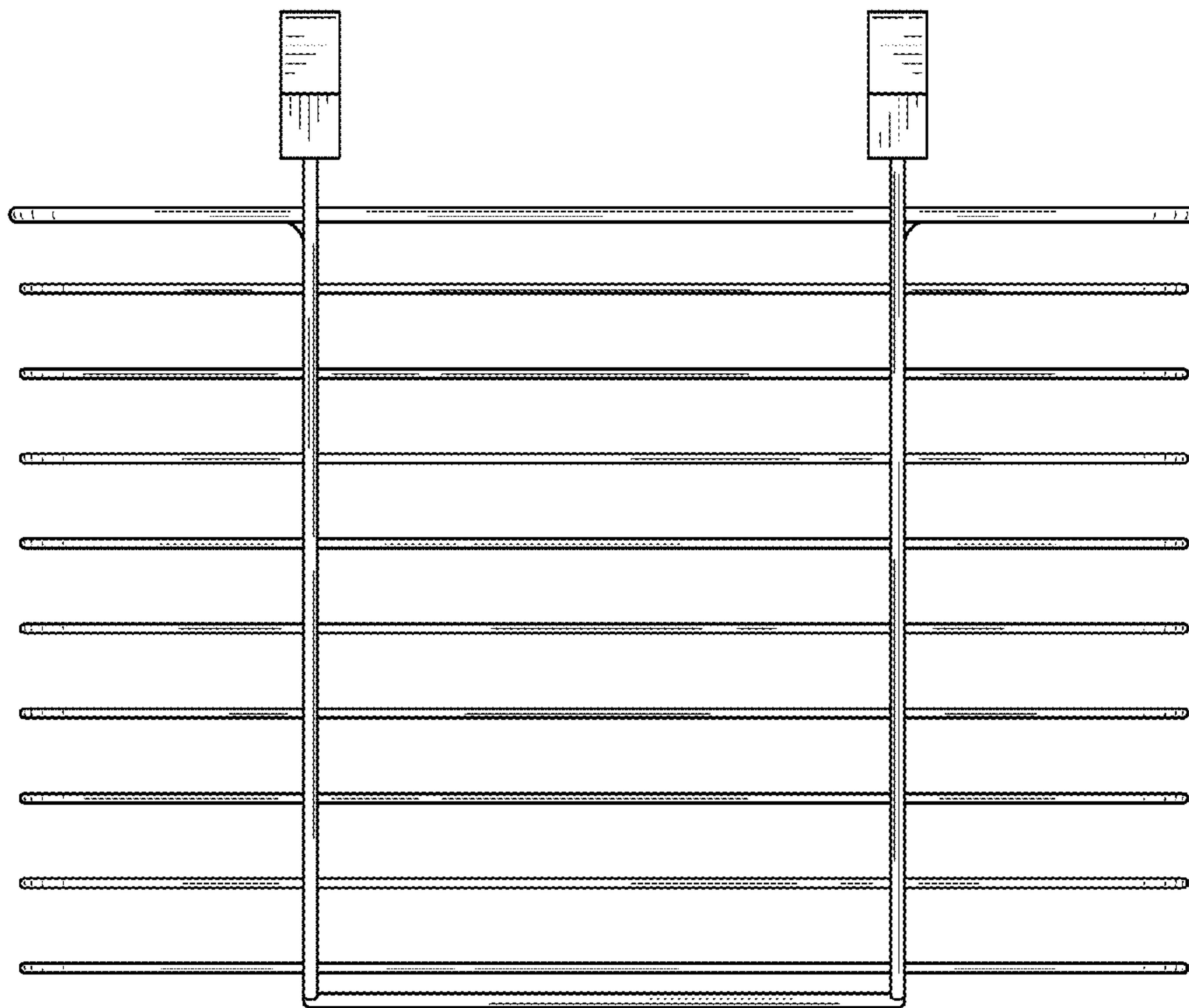


FIG. 3

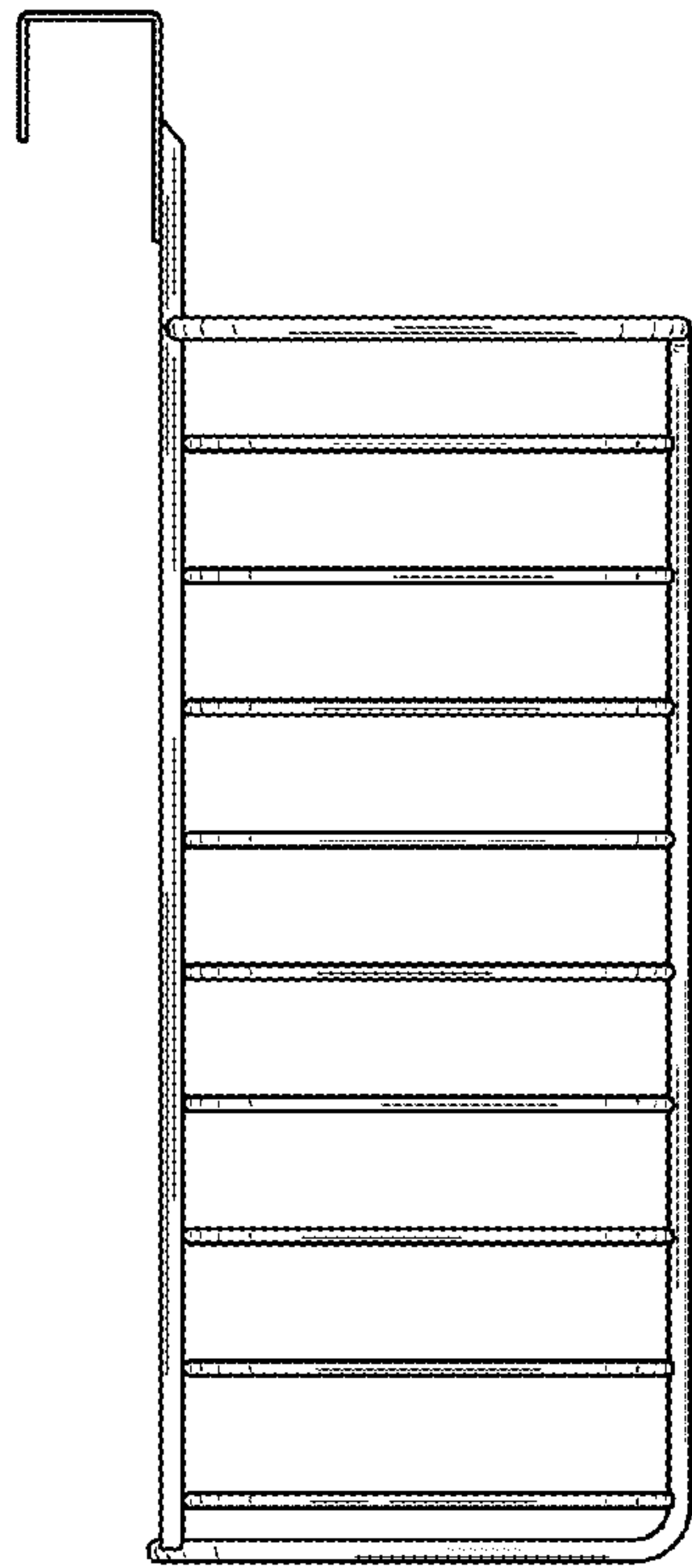


FIG. 4

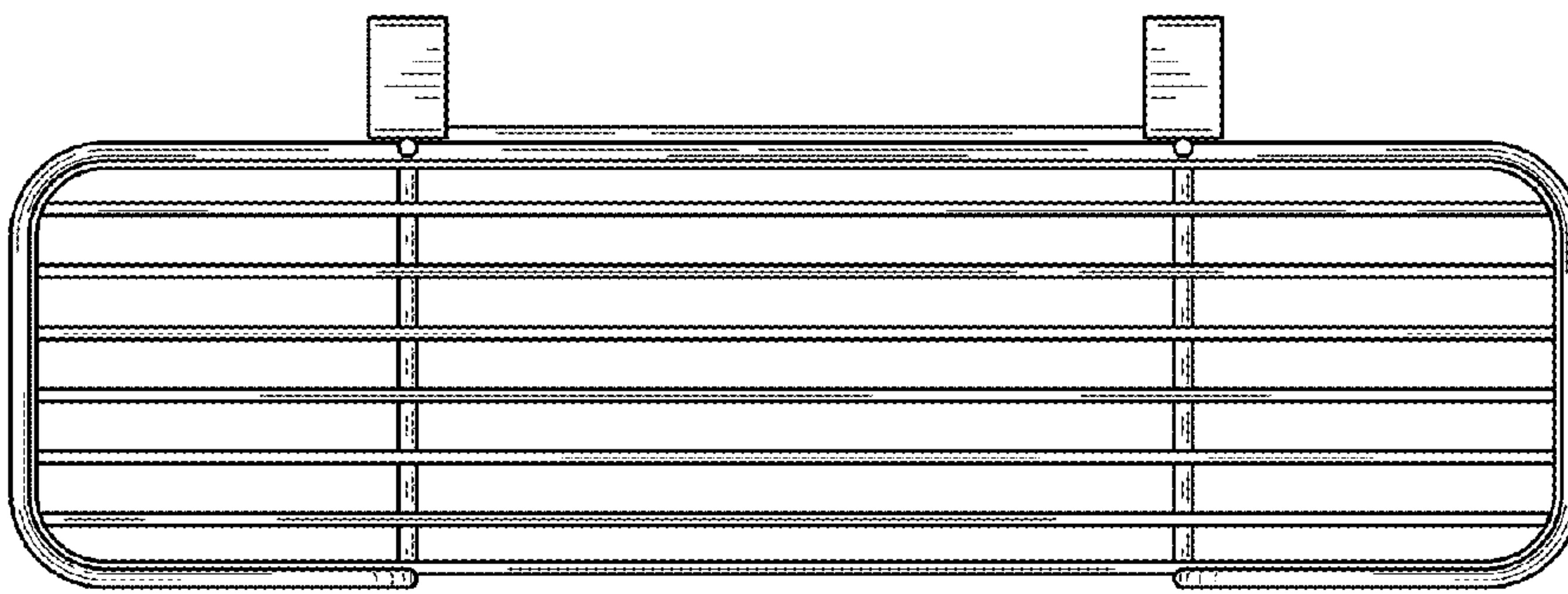


FIG. 5



FIG. 6