

US00D728252S

(12) **United States Design Patent**
Ishida

(10) **Patent No.:** **US D728,252 S**
(45) **Date of Patent:** **** May 5, 2015**

(54) **AIR CONDITIONER**
(71) Applicant: **Mitsubishi Electric Corporation,**
Chiyoda-Ku, Tokyo (JP)
(72) Inventor: **Kenji Ishida,** Chiyoda-ku (JP)
(73) Assignee: **Mitsubishi Electric Corporation,**
Tokyo (JP)

(**) Term: **14 Years**
(21) Appl. No.: **29/457,699**

(22) Filed: **Jun. 12, 2013**

(30) **Foreign Application Priority Data**
Jan. 18, 2013 (JP) 2013-000792
(51) **LOC (10) Cl.** **23-04**
(52) **U.S. Cl.**
USPC **D6/354**
(58) **Field of Classification Search**
USPC D23/351-354, 385, 355, 357, 361;
312/236; 62/259.1, 259.4, 262-263,
62/304; 454/330-331, 349-350
See application file for complete search history.

(56) **References Cited**
U.S. PATENT DOCUMENTS
D204,838 S * 5/1966 Allender et al. D23/351
D417,724 S * 12/1999 Okamoto et al. D23/351
D591,409 S * 4/2009 Kashimoto D23/351

D591,410 S * 4/2009 Kashimoto D23/351
D612,469 S * 3/2010 Nagahori et al. D23/351
D621,492 S * 8/2010 Tanaka et al. D23/351
D621,921 S * 8/2010 Ishida et al. D23/351
D627,043 S * 11/2010 Tanaka et al. D23/351
D669,161 S * 10/2012 Yamana et al. D23/351
D702,335 S * 4/2014 Saitou D23/351

OTHER PUBLICATIONS

Office for Harmonization in the Internal Market, Certificate of Registration 000899653, Registered Apr. 25, 2008, 8 pgs.

* cited by examiner

Primary Examiner — Brian N Vinson
(74) *Attorney, Agent, or Firm* — Sughrue Mion, PLLC

(57) **CLAIM**
The ornamental design for an air conditioner, as shown and described.

DESCRIPTION

FIG. 1 is a front, top and right side perspective view of an air conditioner, showing my new design;
FIG. 2 is a front elevational view thereof;
FIG. 3 is a rear elevational view thereof;
FIG. 4 is a right side elevational view thereof, a left side elevational view is a mirror image thereof;
FIG. 5 is a top plan view thereof;
FIG. 6 is a bottom plan view thereof; and
FIG. 7 is a reference enlarged vertical cross-sectional view thereof; taken along line 7-7 of FIG. 2, with the internal system omitted.
The broken lines in all views are shown for illustrative purposes only and form no part of the claimed design.

1 Claim, 6 Drawing Sheets

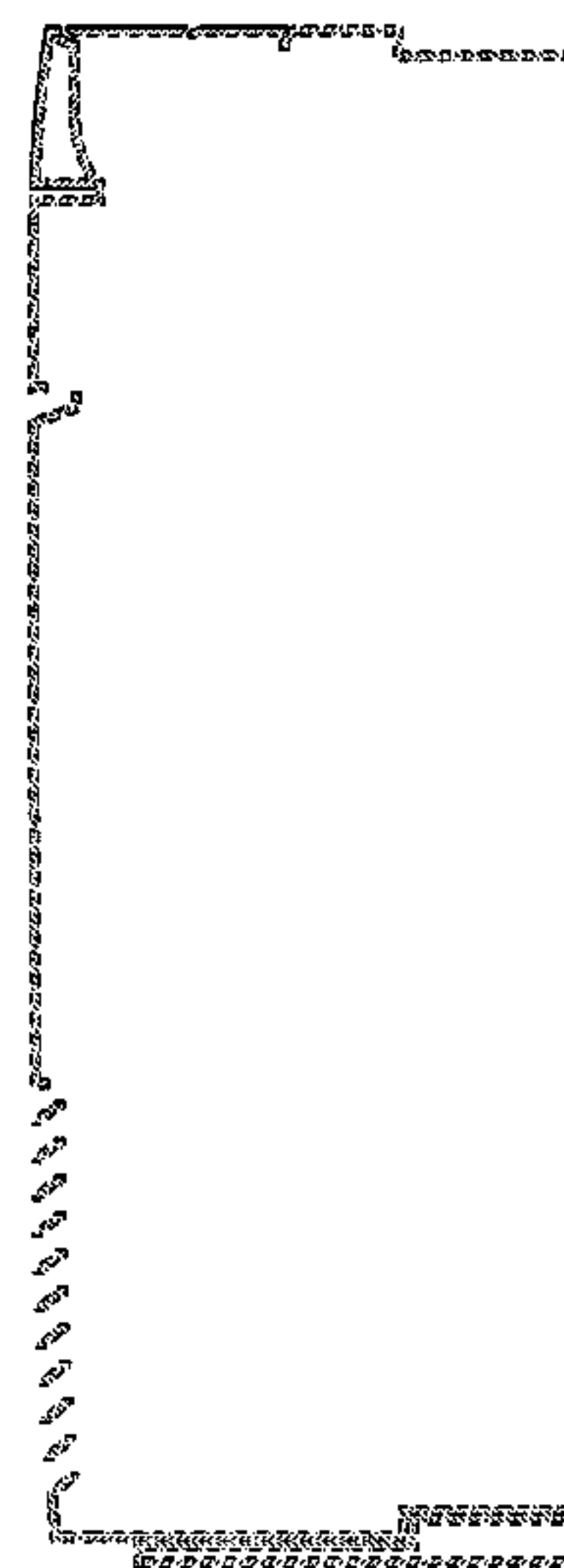
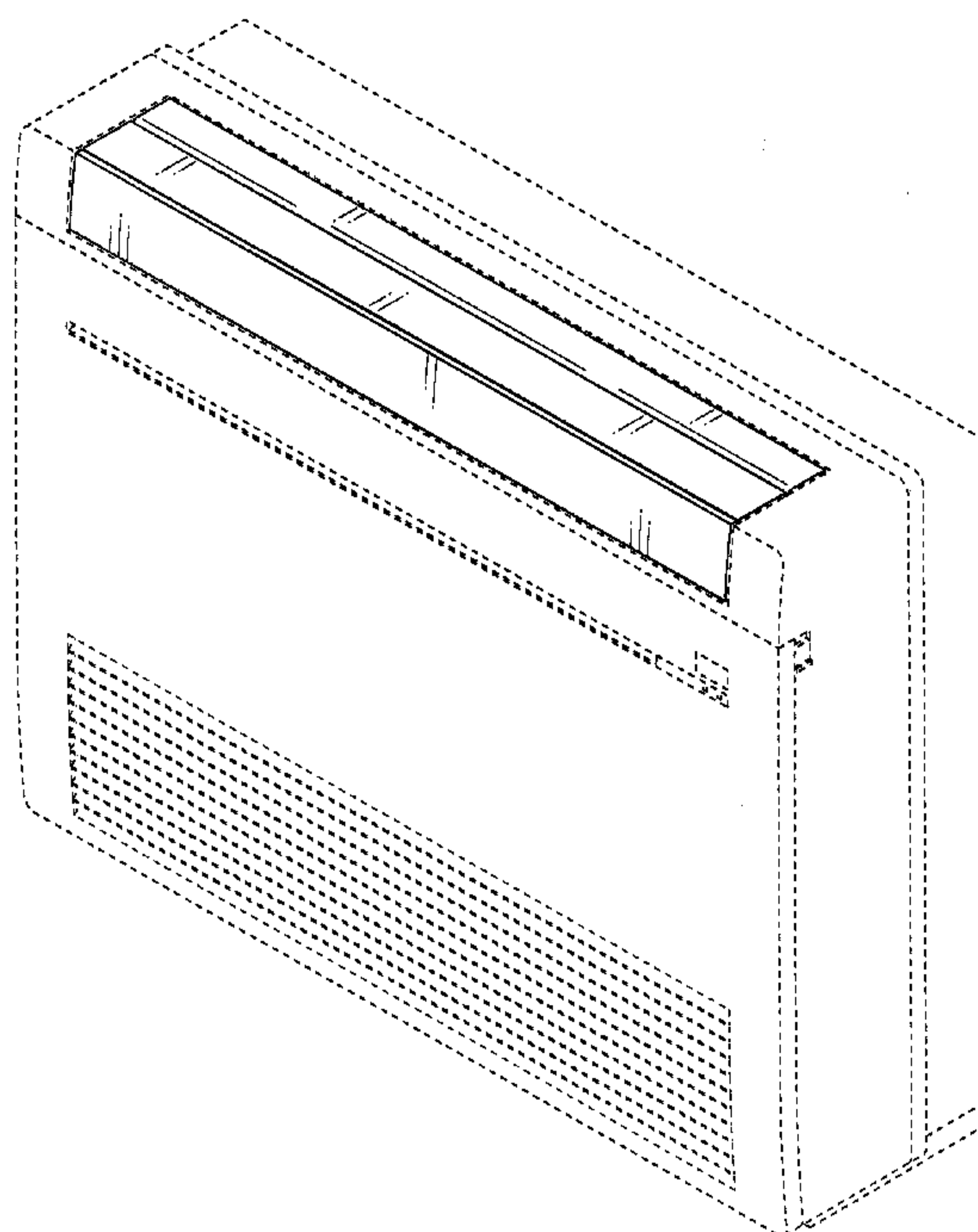


Fig. 1

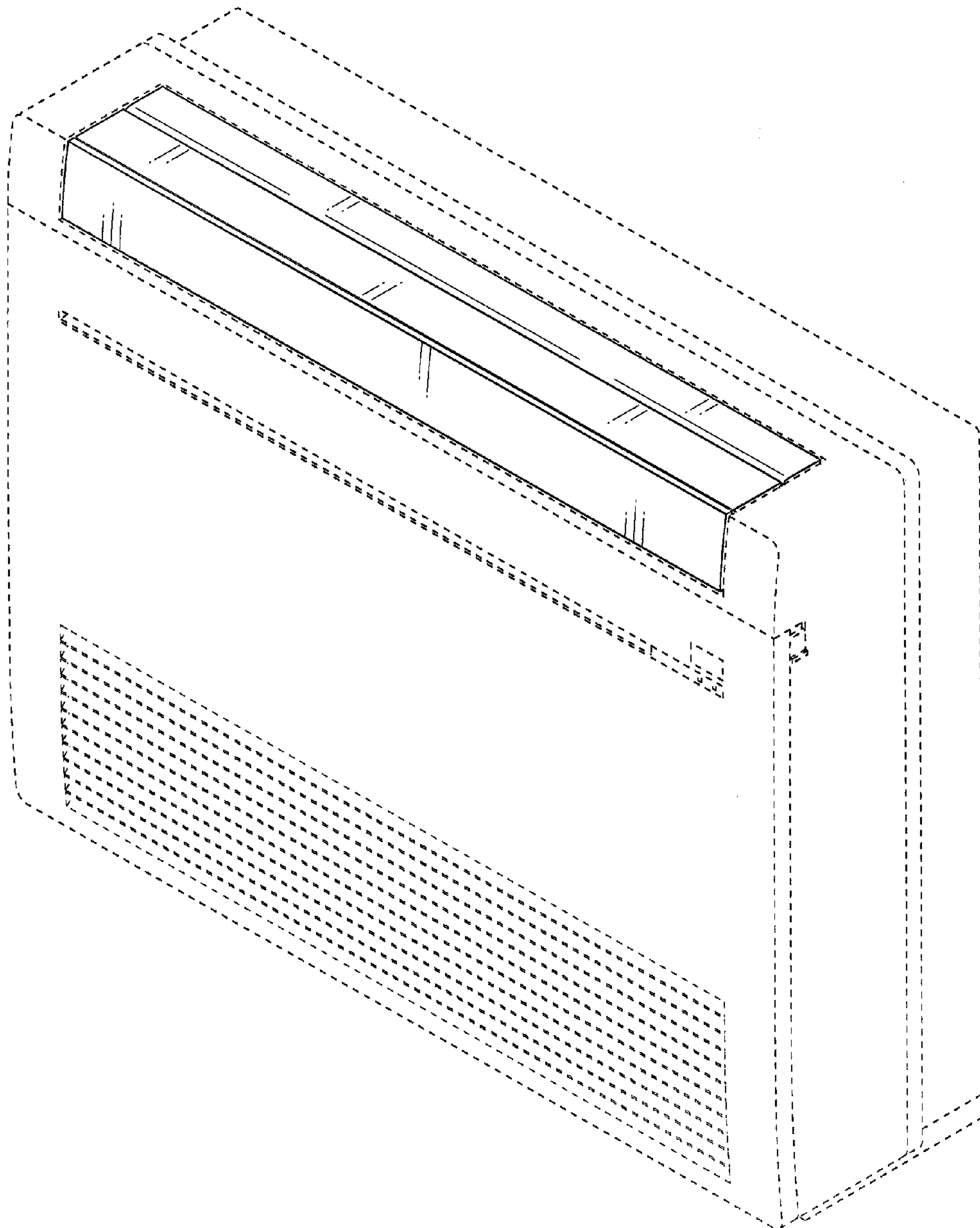


Fig. 2

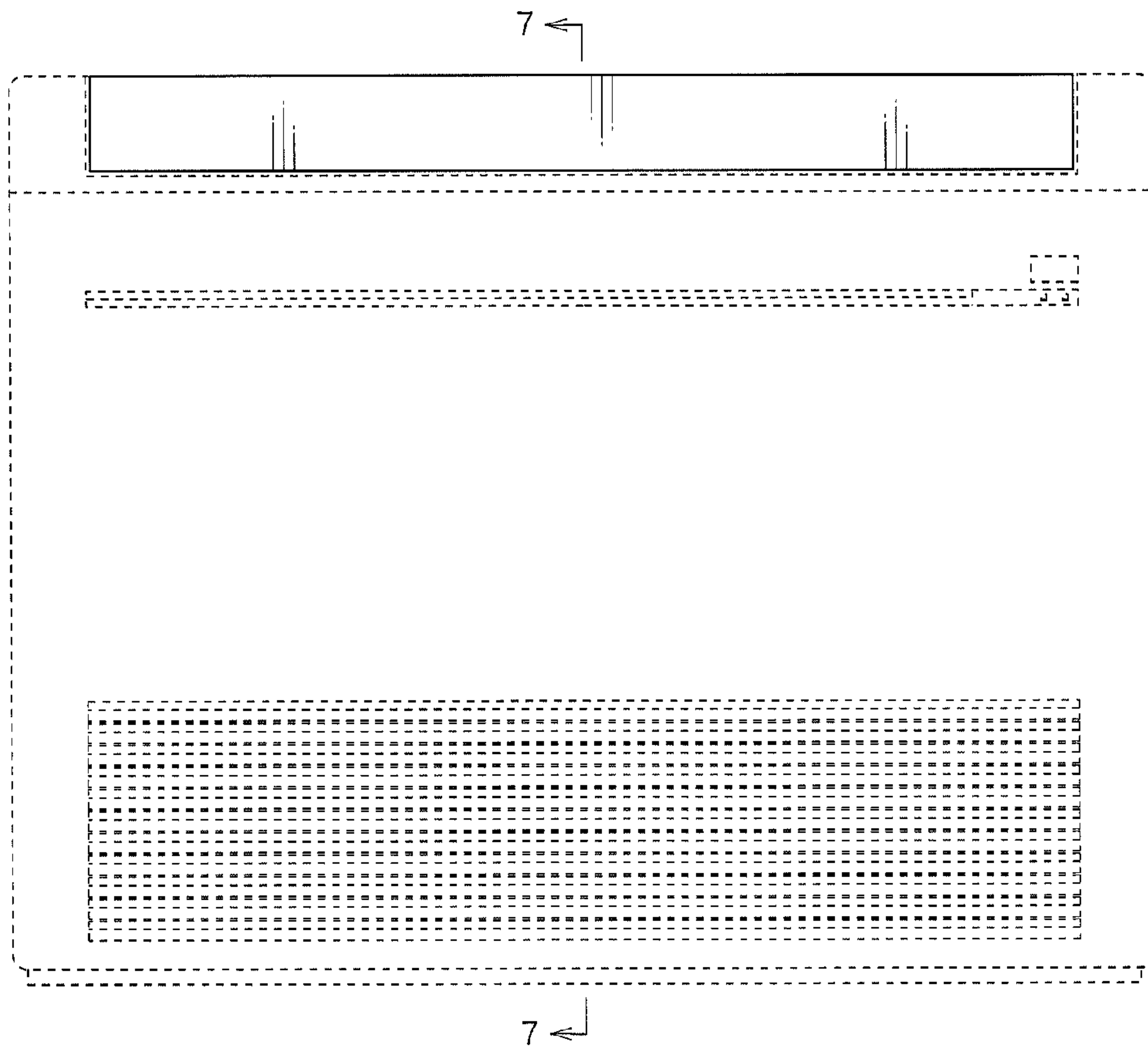


Fig. 3

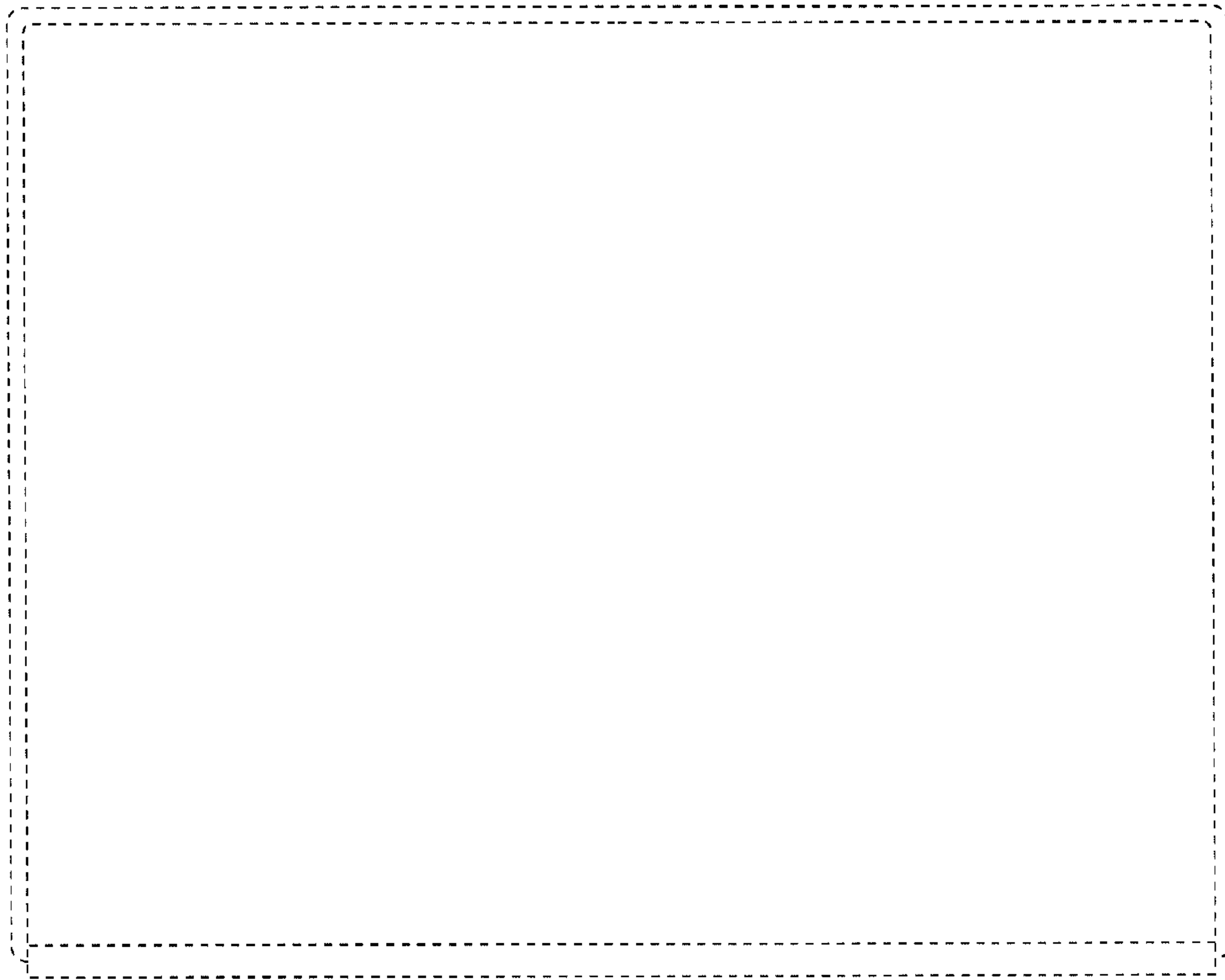


Fig. 4

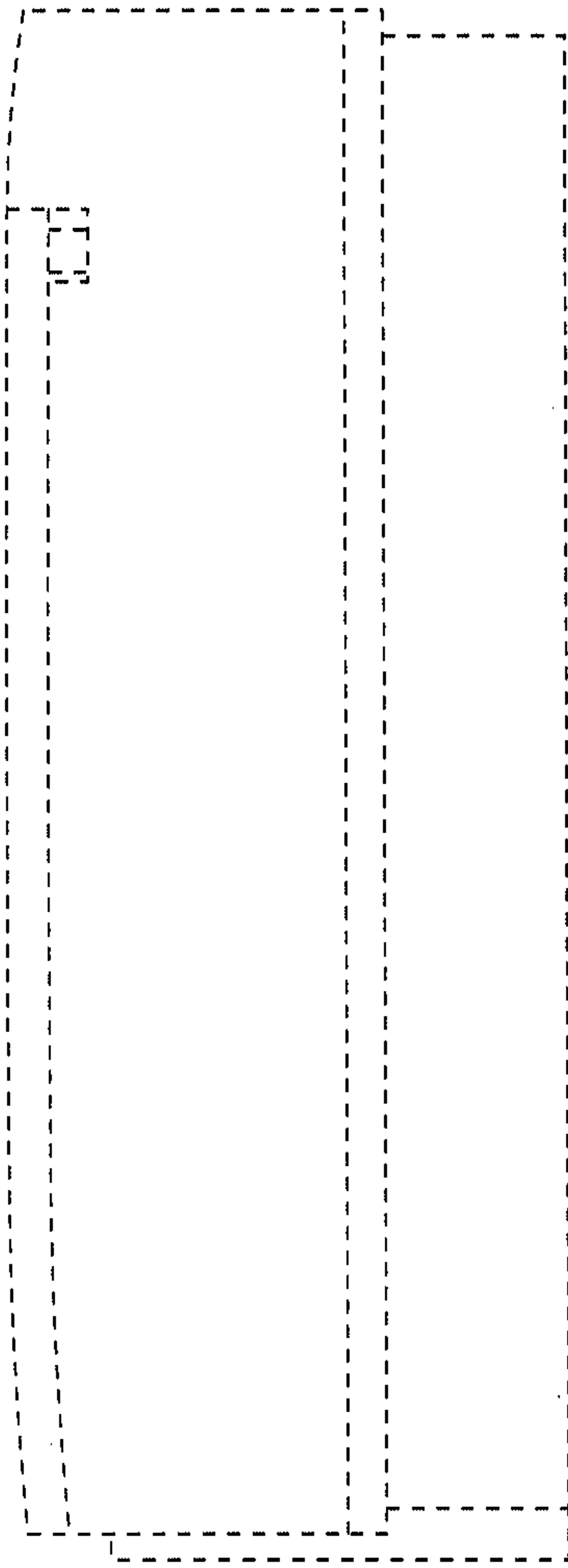


Fig. 5

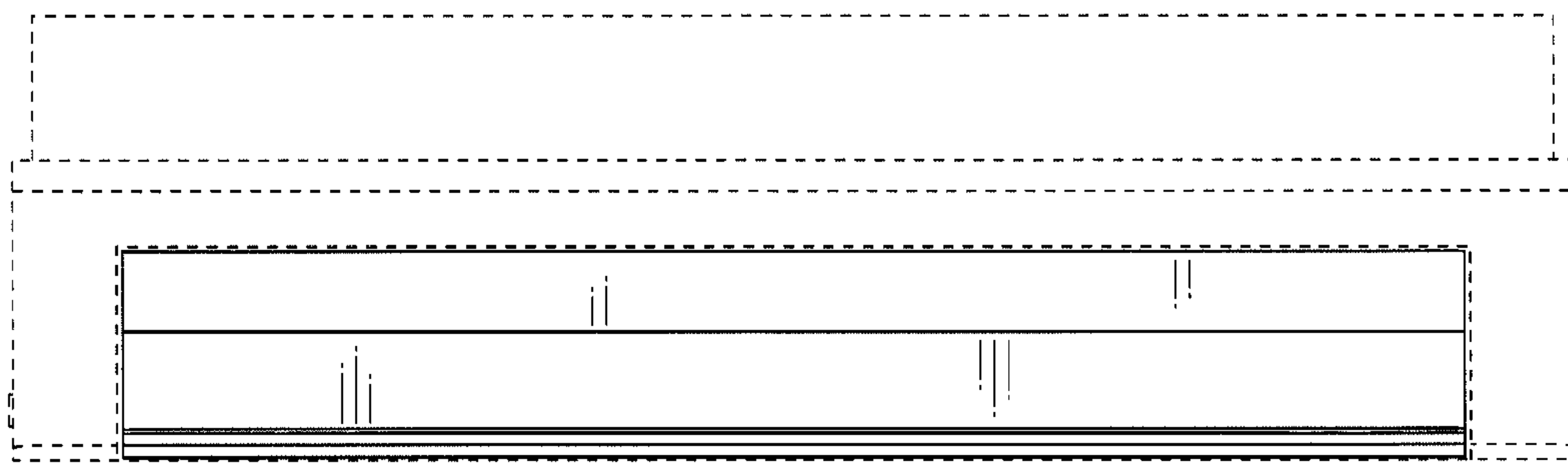


Fig. 6

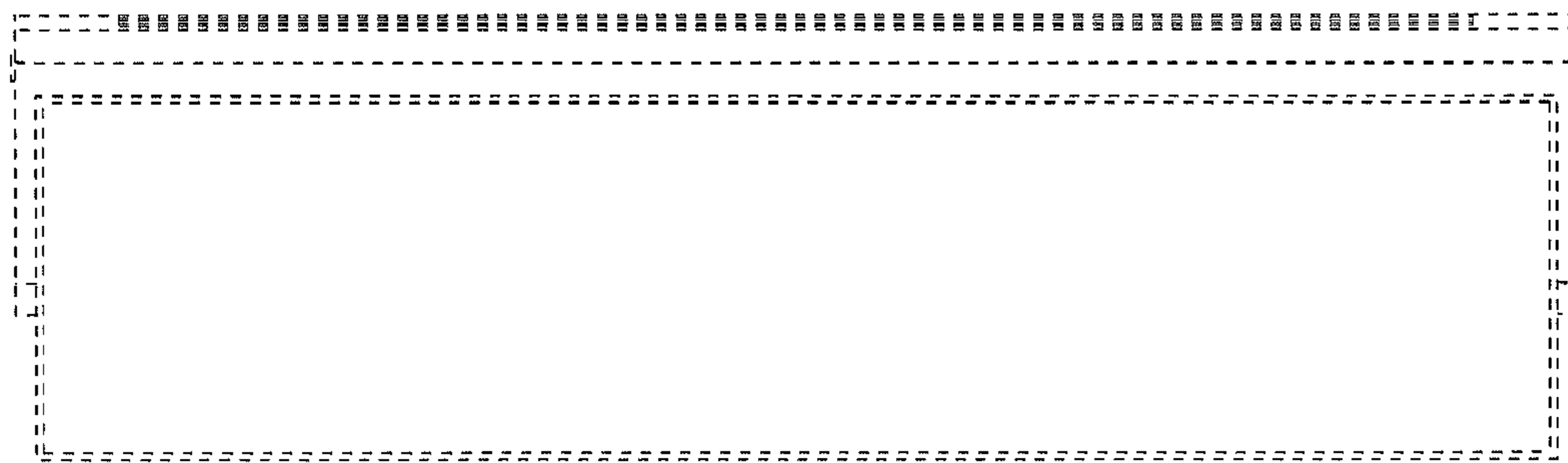


Fig. 7

