



US00D728251S

(12) **United States Design Patent**
Domingo

(10) **Patent No.:** **US D728,251 S**
(45) **Date of Patent:** **** May 5, 2015**

(54) **BENCH**

(71) Applicant: **Maxchief Europe, S.L.**, Barcelona (SE)

(72) Inventor: **Joan Chavarria Domingo**, Barcelona (ES)

(73) Assignee: **Maxchief Europe, S.L.** (ES)

(**) Term: **14 Years**

(21) Appl. No.: **29/475,316**

(22) Filed: **Dec. 2, 2013**

(51) **LOC (10) Cl.** **06-01**

(52) **U.S. Cl.**
USPC **D6/353**

(58) **Field of Classification Search**
CPC A47C 1/14; A47C 3/16-3/20; A47C 4/00;
A47C 4/28; A47C 5/02; A47C 5/04; A47C
5/043; A47C 7/00-7/006; A47C 7/02; A47C
9/00; A47C 9/02; A47C 9/002; A47C 9/007;
A47C 9/025; A47C 9/10; A47C 11/00;
A47C 12/00; A47C 13/00; A47C 16/02
USPC D6/335, 340, 344, 347, 349-355, 358,
D6/360, 363-365, 381, 685, 687, 688.15,
D6/688.27, 690, 691, 692.3, 708.16, 709,
D6/709.2, 709.22, 711, 716-716.7, 717;
D8/402, 403

See application file for complete search history.

(56) **References Cited**

U.S. PATENT DOCUMENTS

2,060,099	A	*	11/1936	McNeff	248/440
D170,311	S	*	9/1953	Doherty	D6/352
D213,496	S	*	3/1969	Wormser	D6/349
D286,479	S	*	11/1986	Marchesini	D6/484
D532,210	S	*	11/2006	McCurry	D6/349
D532,983	S	*	12/2006	McCurry	D6/349
D620,286	S	*	7/2010	Carmon	D6/480
D669,695	S	*	10/2012	McCurry	D6/349

OTHER PUBLICATIONS

Koln Bench. [online] Retrieved Dec. 11, 2014 from URL: <<http://www.newstorm.eu/productdetail.php?id=23&lang=en>>.*

* cited by examiner

Primary Examiner — Sheryl Lane

Assistant Examiner — Vy Koenig

(74) *Attorney, Agent, or Firm* — Bryant J. Keller; Kirton | McConkie

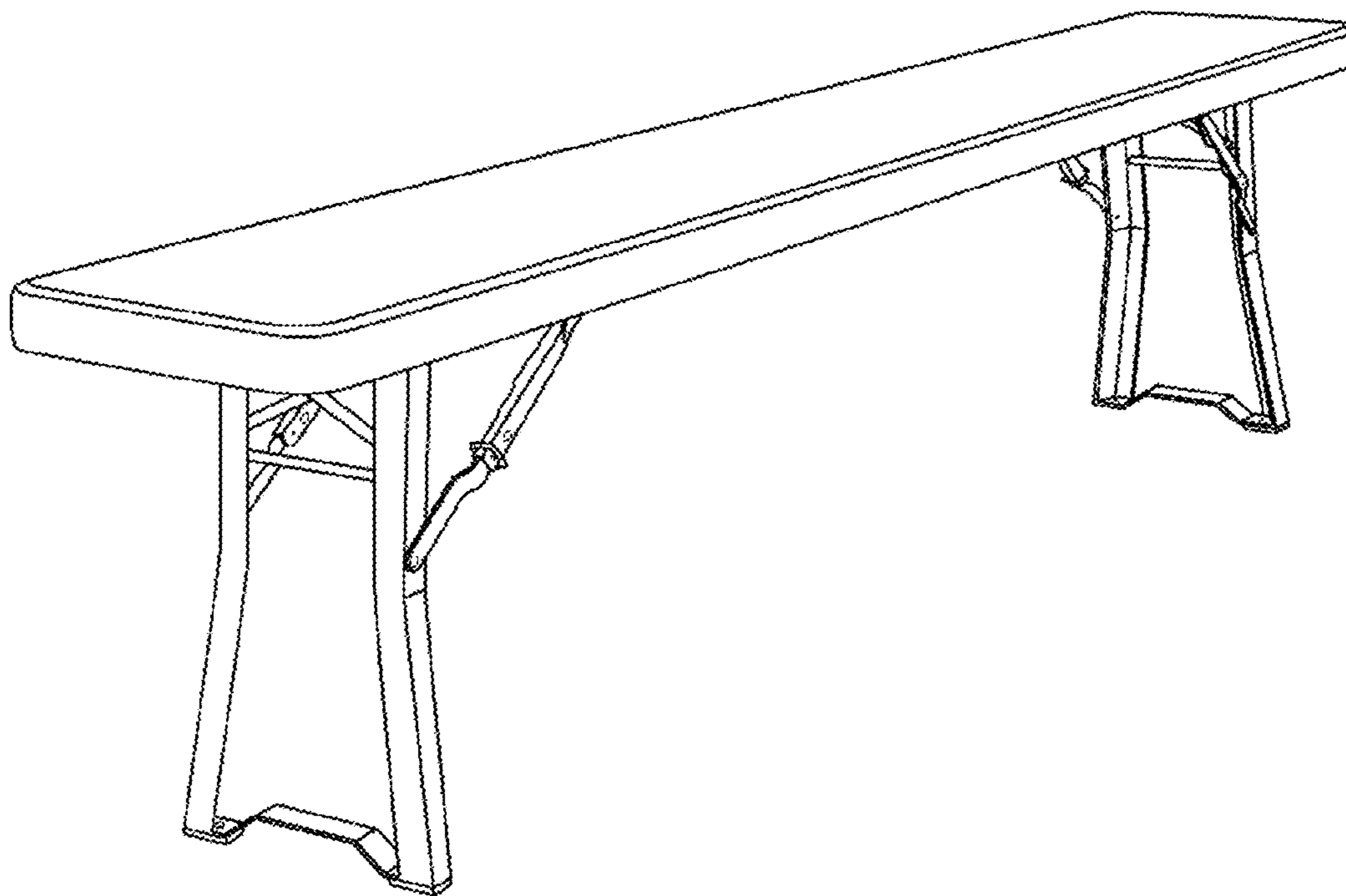
(57) **CLAIM**

The ornamental design for a bench, as shown and described.

DESCRIPTION

FIG. 1 is a front, left side perspective view showing my new design, wherein the back, left side perspective view is a mirror image thereof;
FIG. 2 is a top plan view thereof;
FIG. 3 is a front elevation view thereof, wherein the back elevation view is a mirror image thereof; and,
FIG. 4 is a left side elevation view thereof, wherein the right side elevation view is a mirror image thereof.

1 Claim, 2 Drawing Sheets



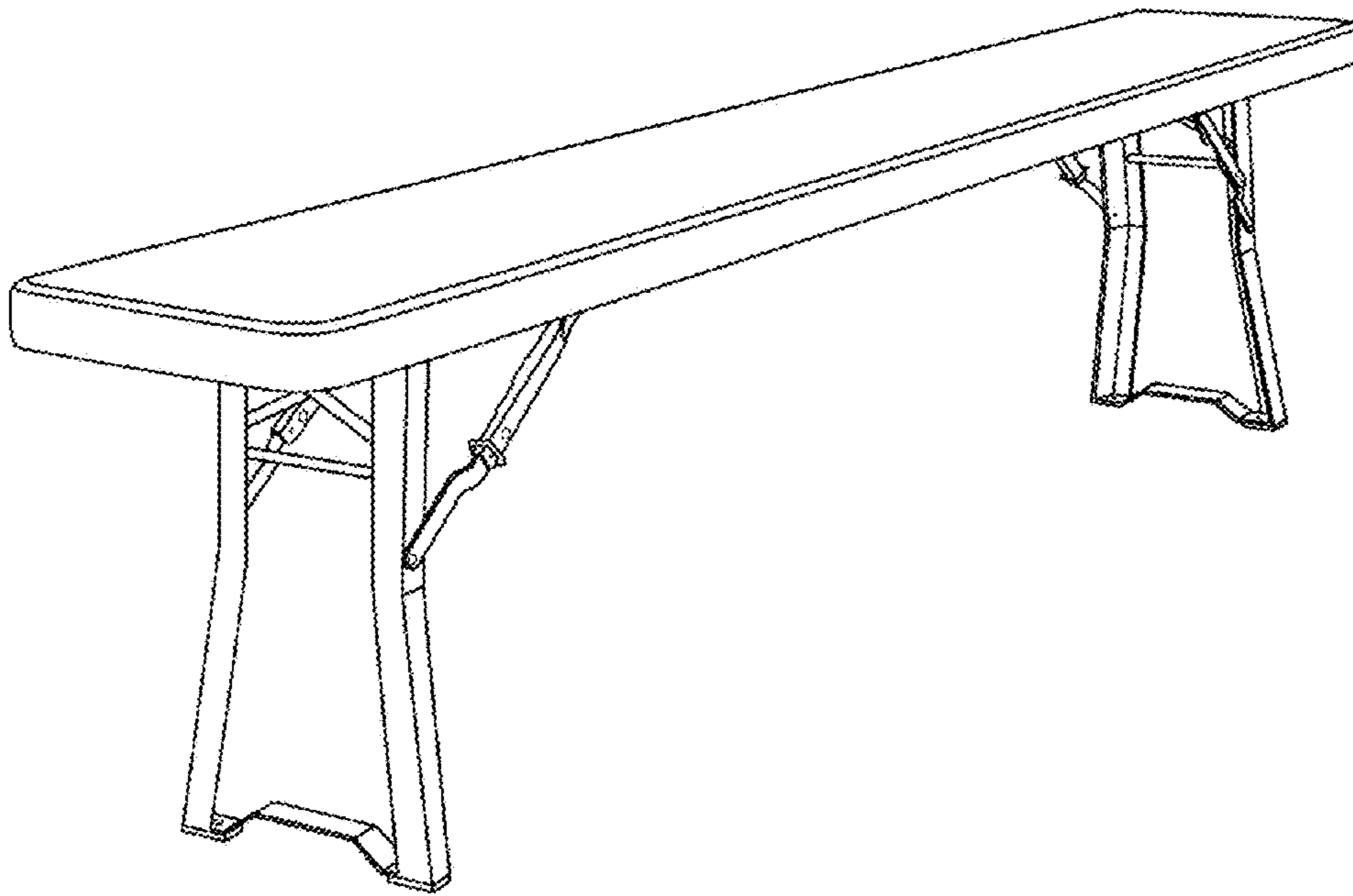


FIG. 1

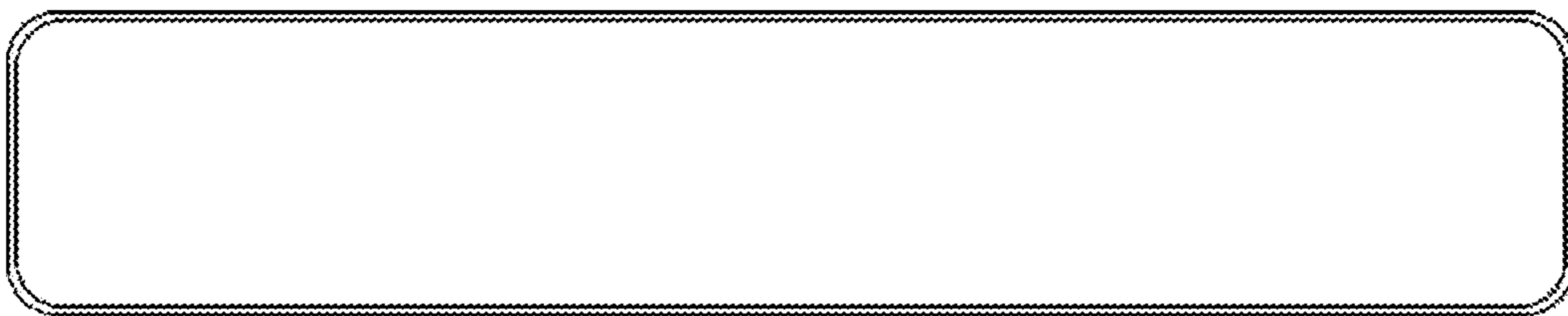


FIG. 2

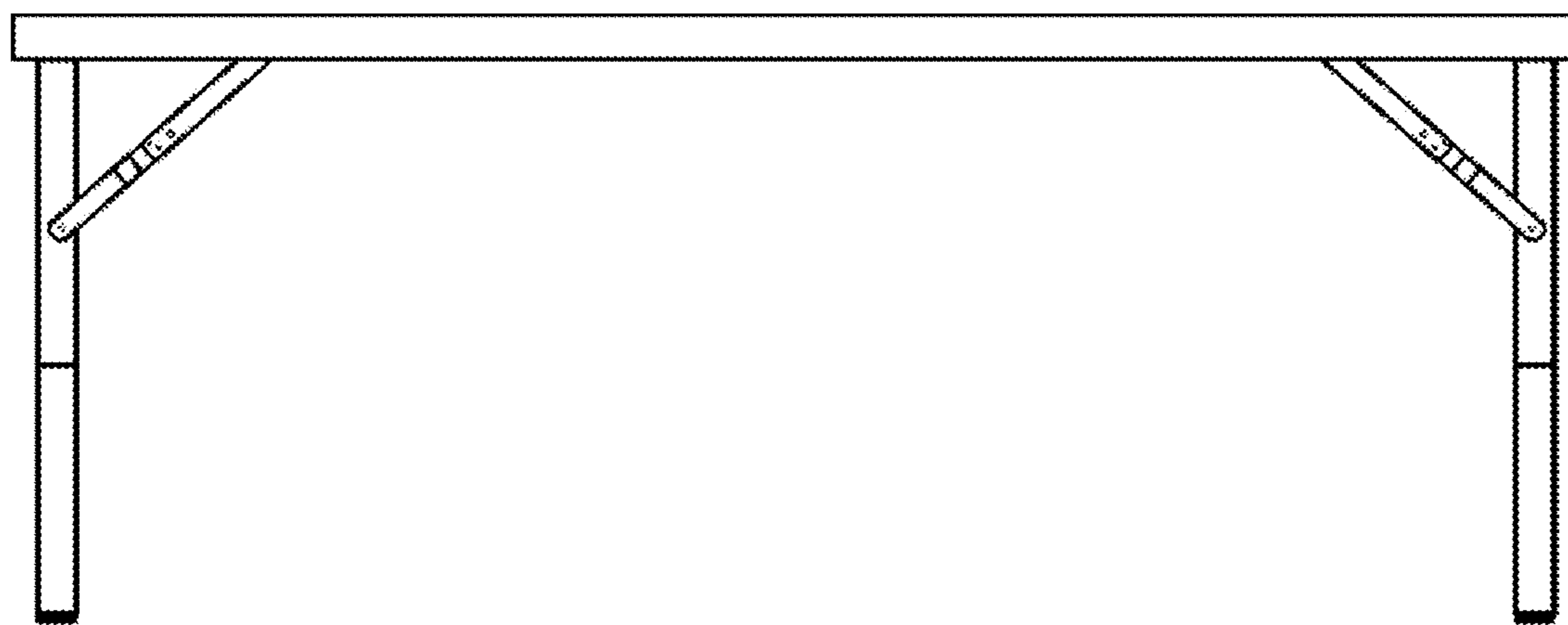


FIG. 3

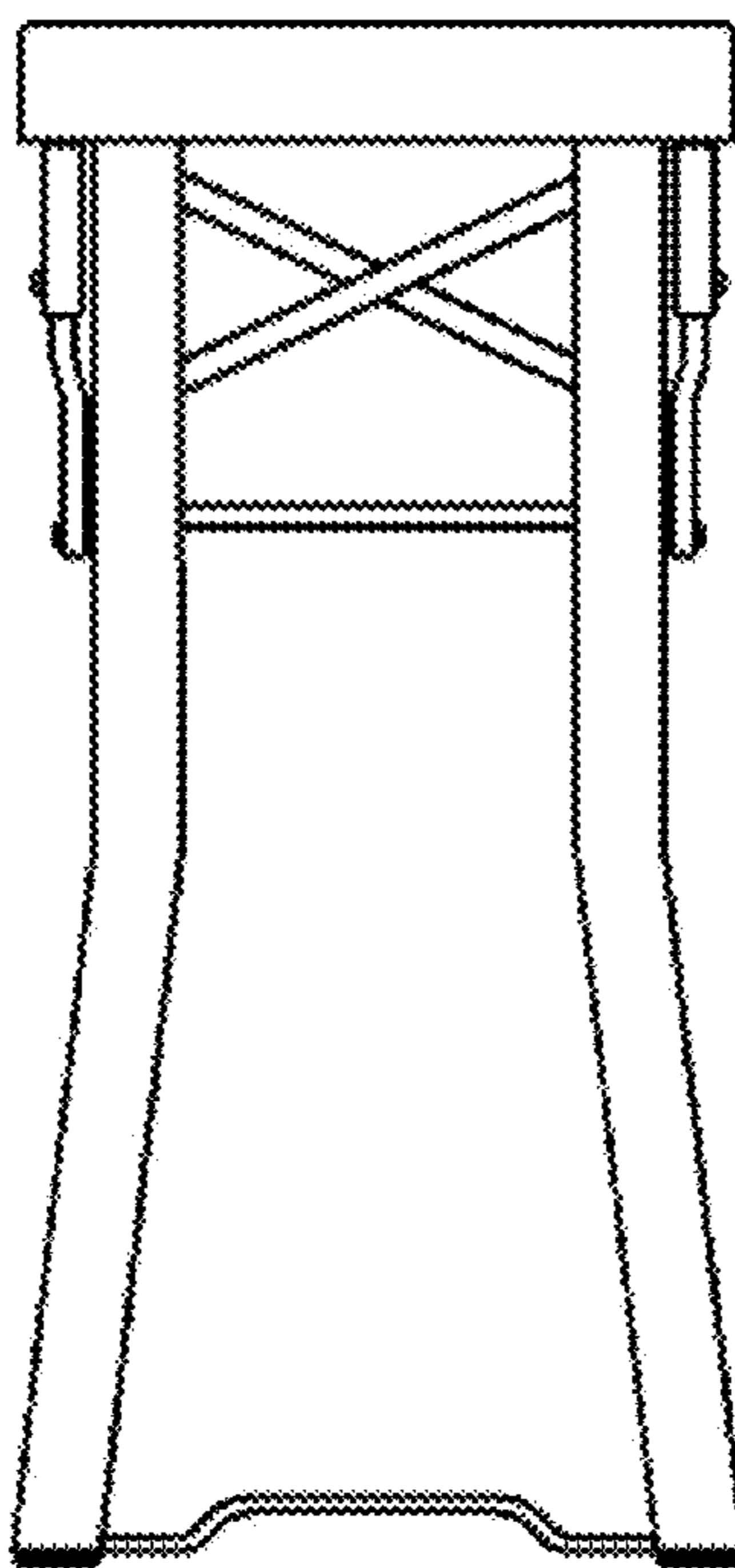


FIG. 4