



US00D728239S

(12) **United States Design Patent**
Sanz et al.

(10) **Patent No.:** **US D728,239 S**
(45) **Date of Patent:** **** May 5, 2015**

(54) **LUGGAGE WITH A SET OF CORNER BUMPERS**

(71) Applicant: **Tumi, Inc.**, South Plainfield, NJ (US)

(72) Inventors: **Victor Sanz**, Whitehouse Station, NJ (US); **Paul Victor Scicluna**, Penndel, PA (US)

(73) Assignee: **Tumi Inc.**, South Plainfield, NJ (US)

(**) Term: **14 Years**

(21) Appl. No.: **29/458,912**

(22) Filed: **Jun. 24, 2013**

(51) **LOC (10) Cl.** **03-01**

(52) **U.S. Cl.**
USPC **D3/318**

(58) **Field of Classification Search**
CPC A45C 13/08; A45F 5/10
USPC D3/318; 190/18 A, 38-39
See application file for complete search history.

(56) **References Cited**

U.S. PATENT DOCUMENTS

D246,939 S *	1/1978	Casser	D3/233
D447,929 S *	9/2001	Chang	D8/350
D460,263 S *	7/2002	Bradford	D3/318
D521,236 S *	5/2006	Weng et al.	D3/318

* cited by examiner

Primary Examiner — Holly Baynham

(74) *Attorney, Agent, or Firm* — Lando & Anastasi, LLP; John N. Anastasi; William J. Seymour

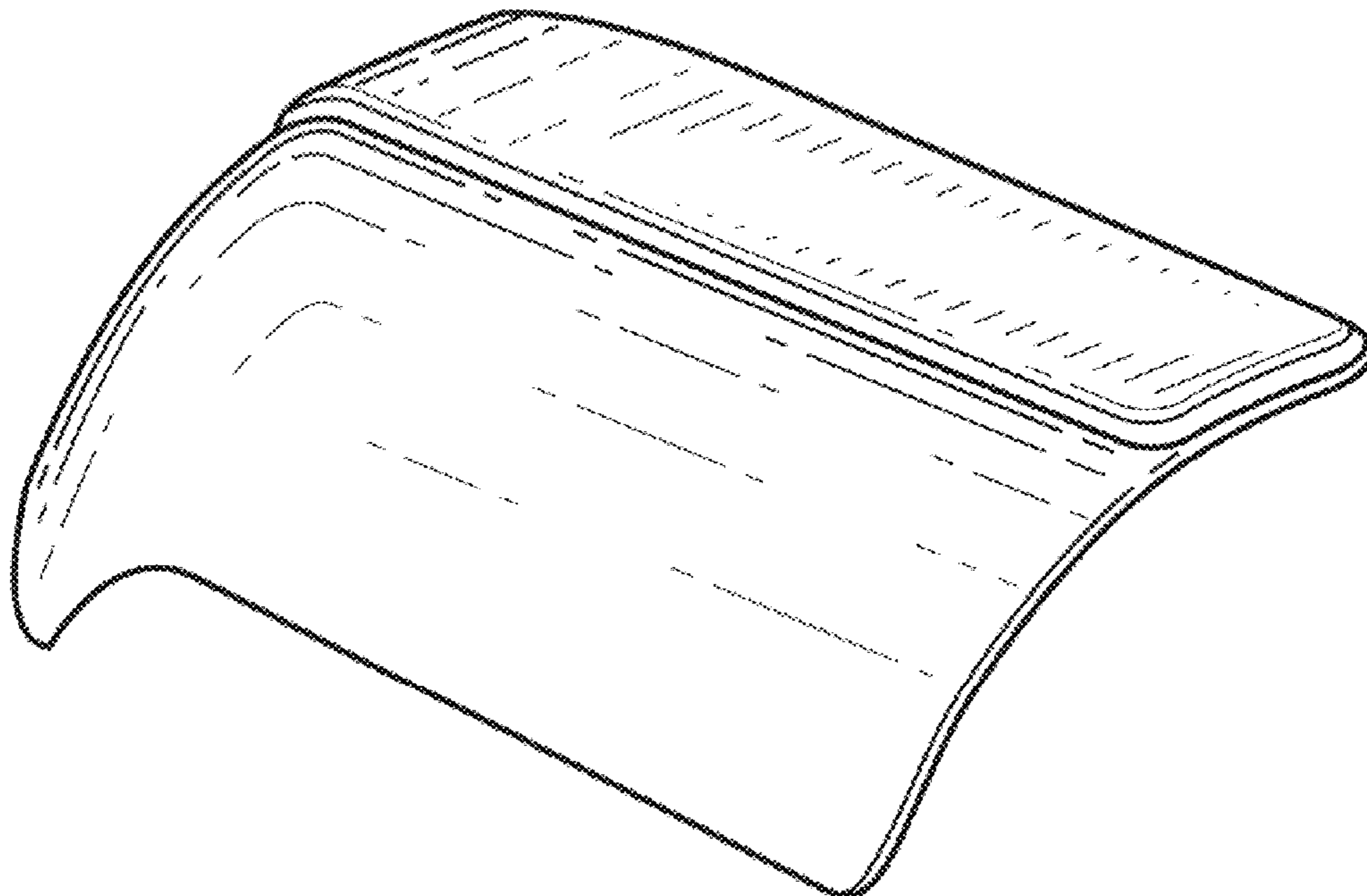
(57) **CLAIM**

What is claimed is the ornamental design for a luggage with a set of corner bumpers, as shown and described.

DESCRIPTION

FIG. 1 depicts a side perspective view of a corner bumper for luggage, showing the novel design;
FIG. 2 depicts an alternate side view of a corner bumper for luggage, showing the novel design;
FIG. 3 depicts a top view of a corner bumper for luggage, showing the novel design;
FIG. 4 depicts a front view of a corner bumper for luggage, showing the novel design;
FIG. 5 depicts a side perspective view of corner bumpers for luggage, showing the novel design;
FIG. 6 depicts an alternate side view of corner bumpers for luggage, showing the novel design;
FIG. 7 depicts a top view of corner bumpers for luggage, showing the novel design;
FIG. 8 depicts a front view of a corner bumper for luggage, showing the novel design; and,
FIG. 9 depicts a perspective view of corner bumpers for luggage, showing the novel design.
The broken lines showing luggage are for the purposes of illustrating environment and forms no part of the claimed design.

1 Claim, 7 Drawing Sheets



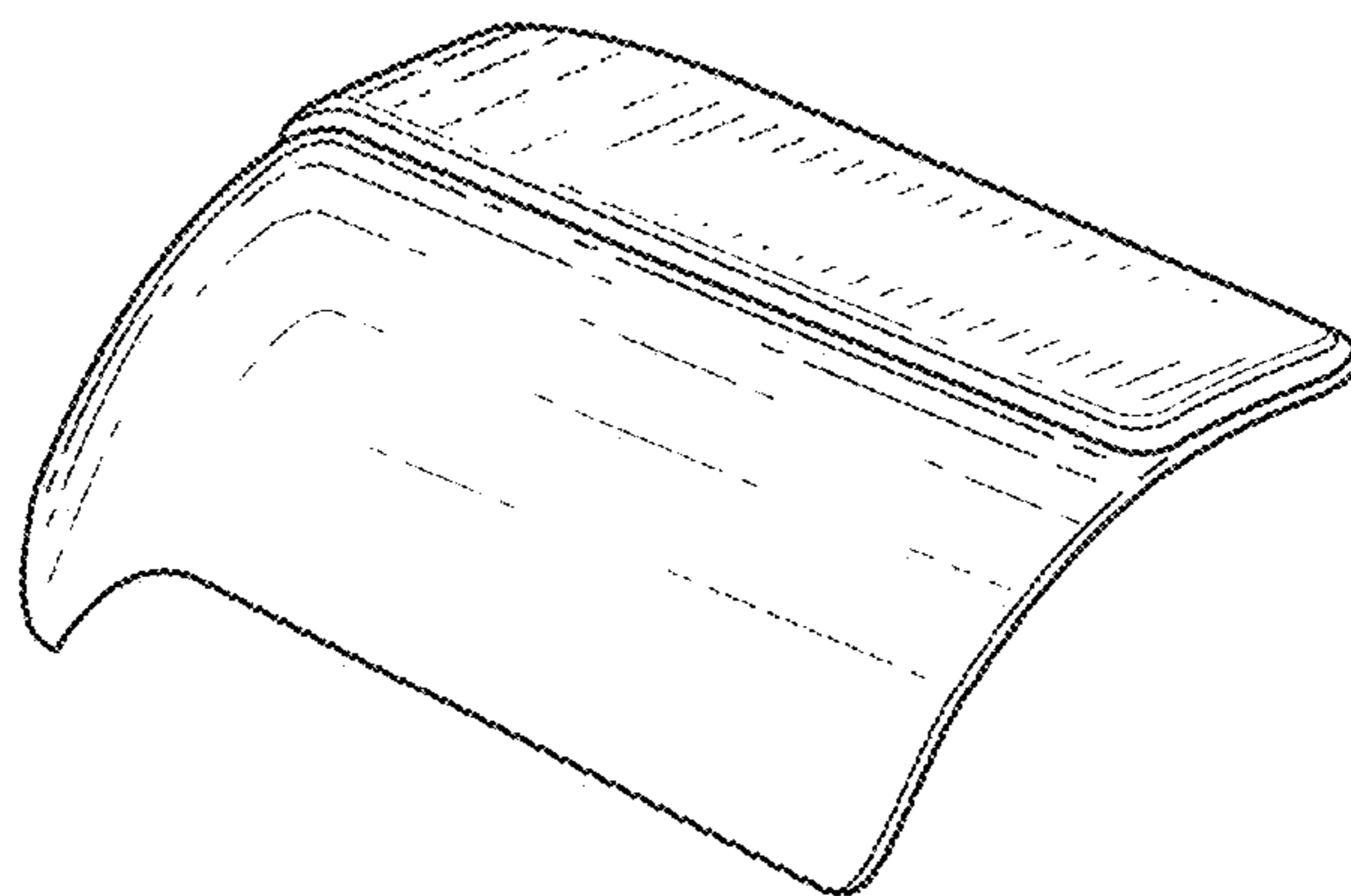


FIG. 1

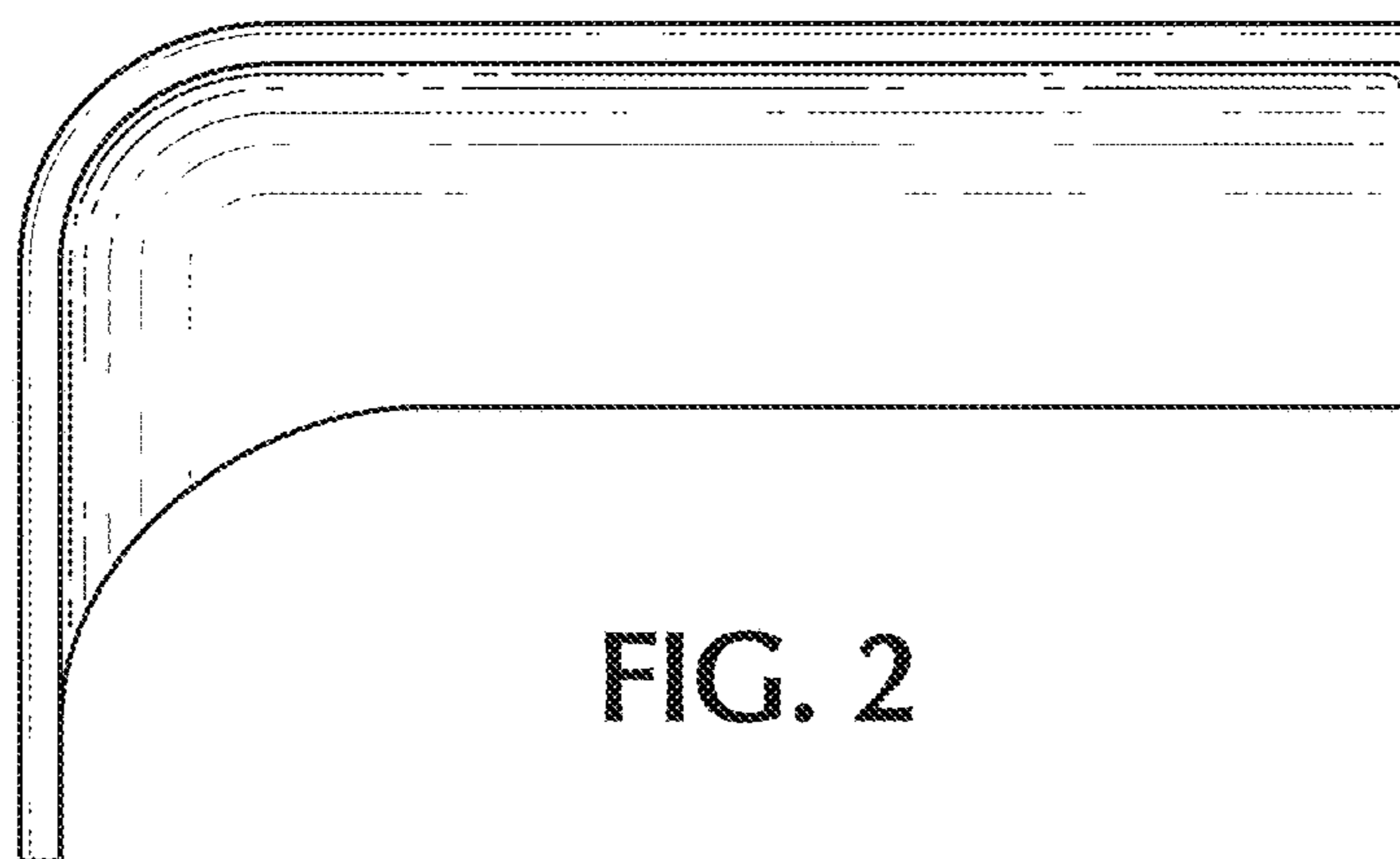


FIG. 2

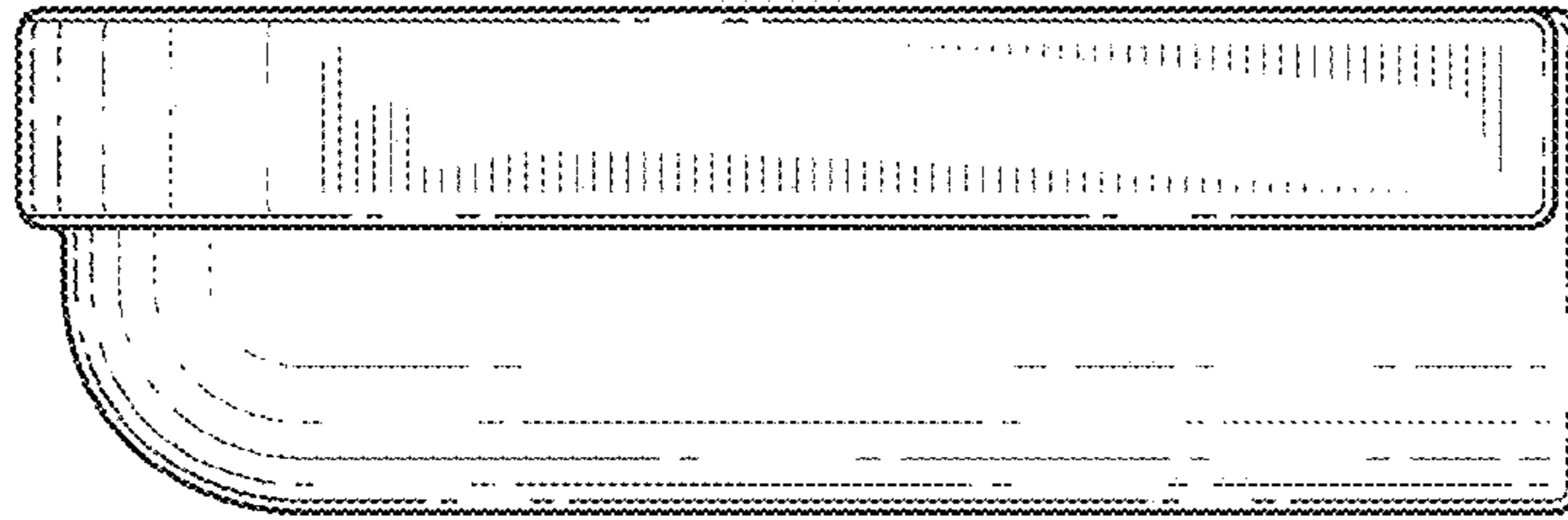


FIG. 3

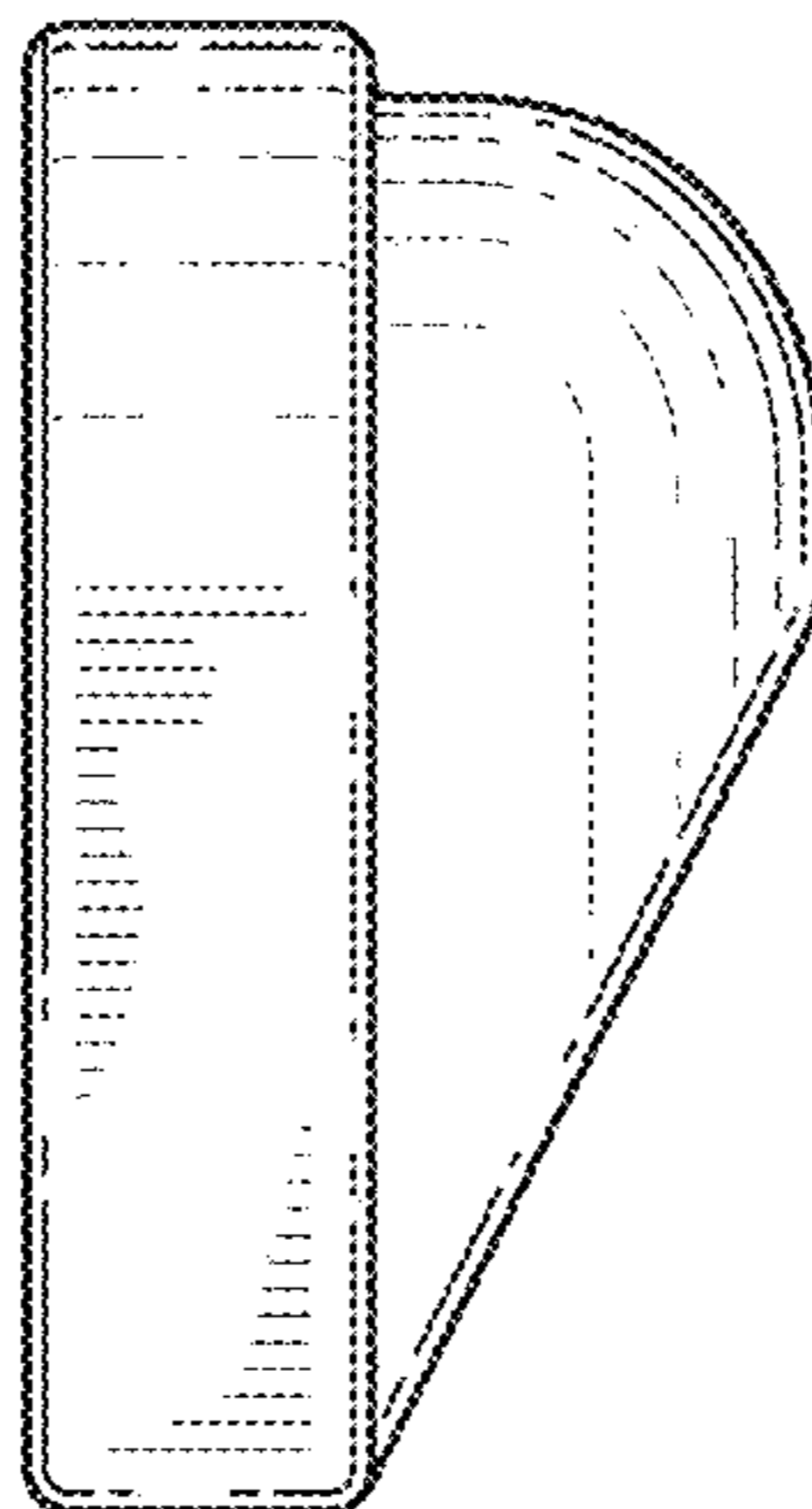


FIG. 4

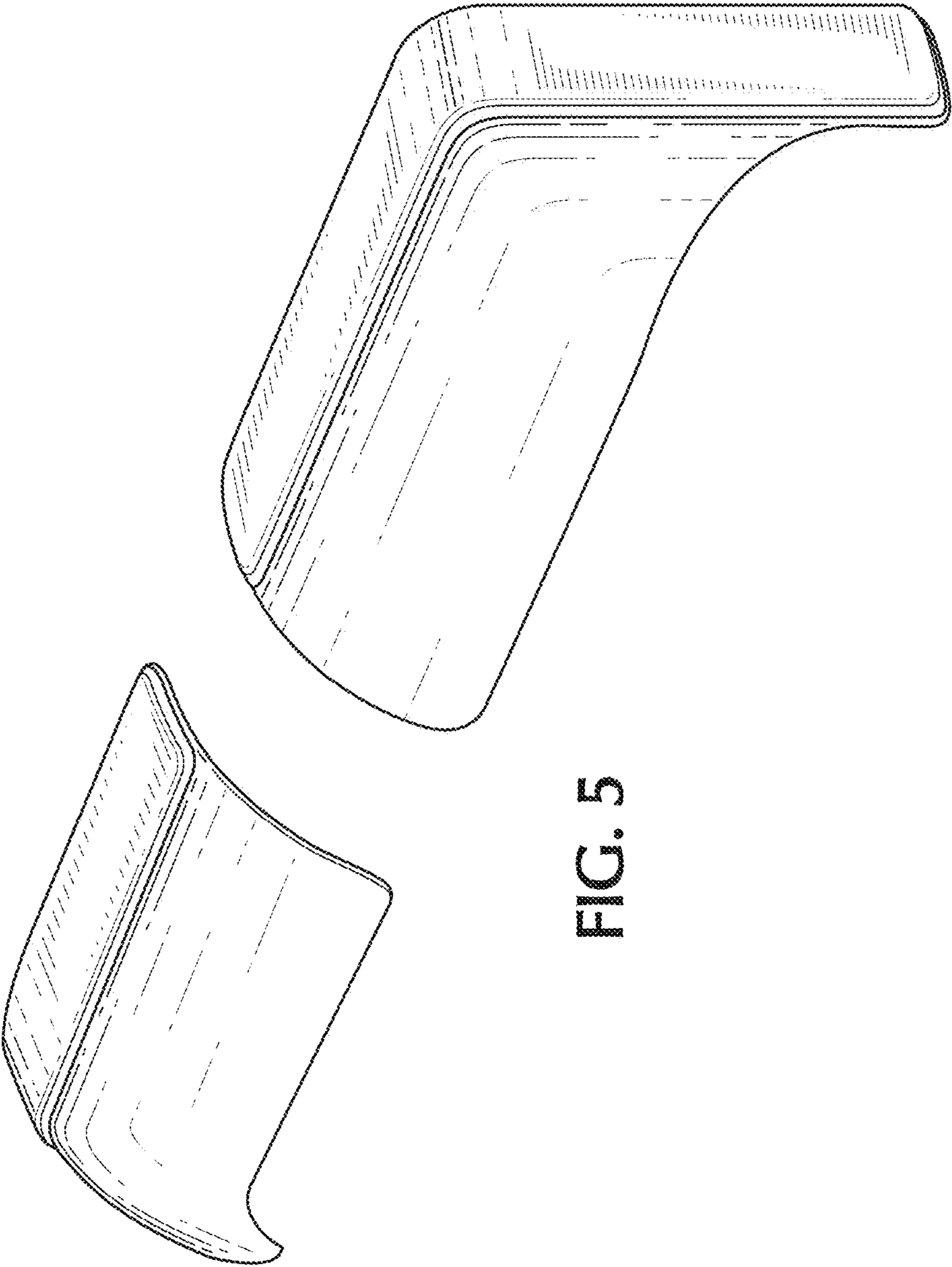


FIG. 5

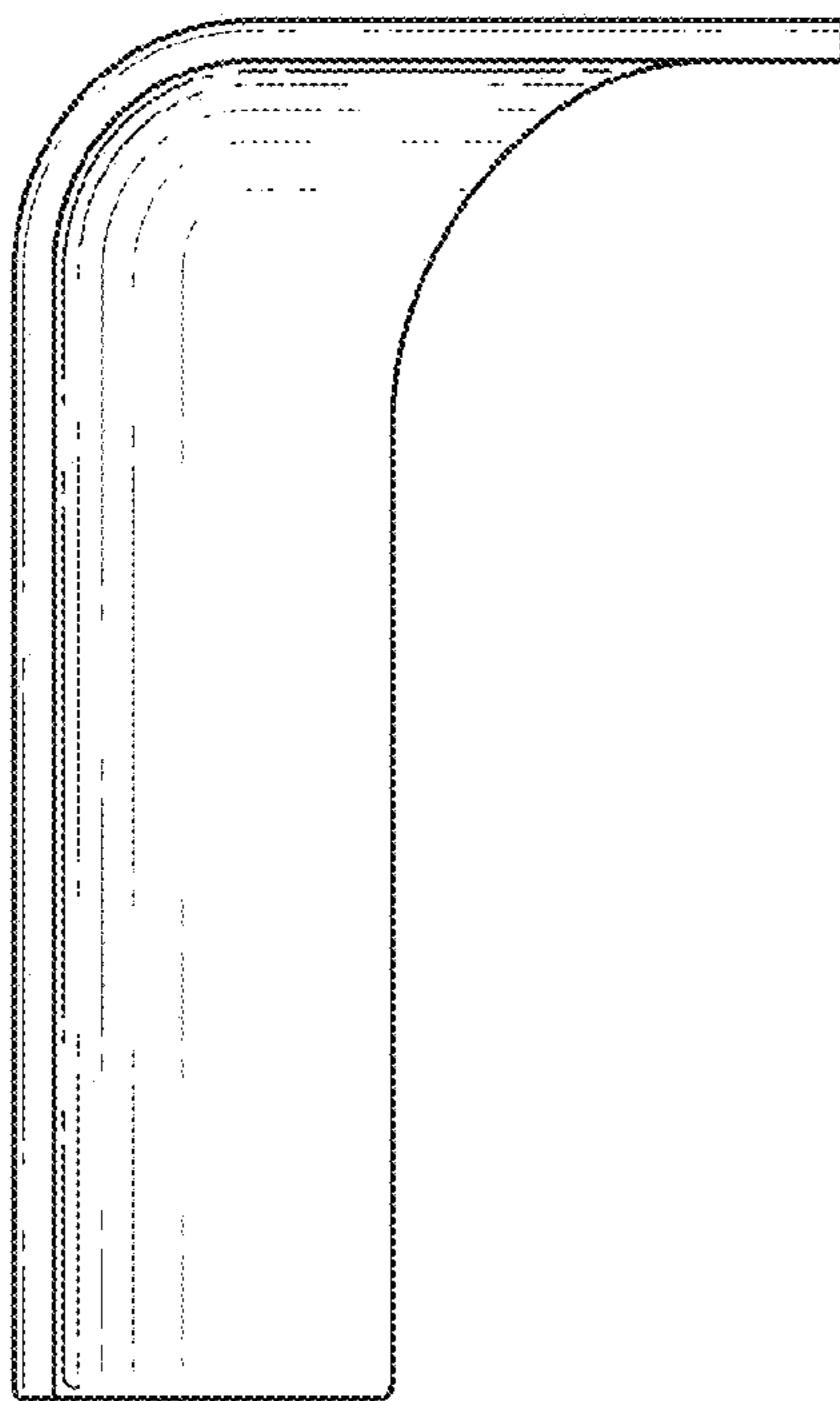
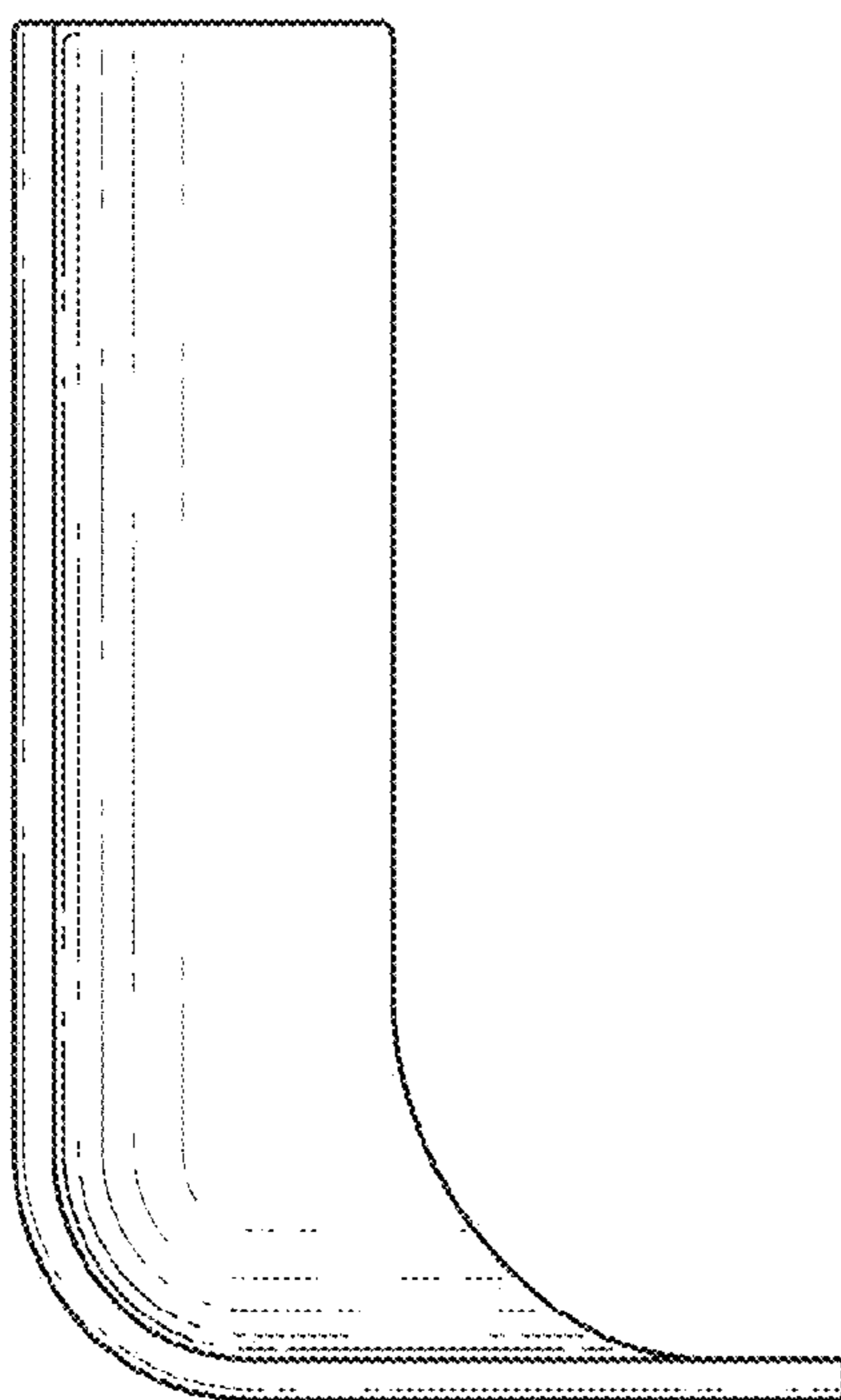


FIG. 6



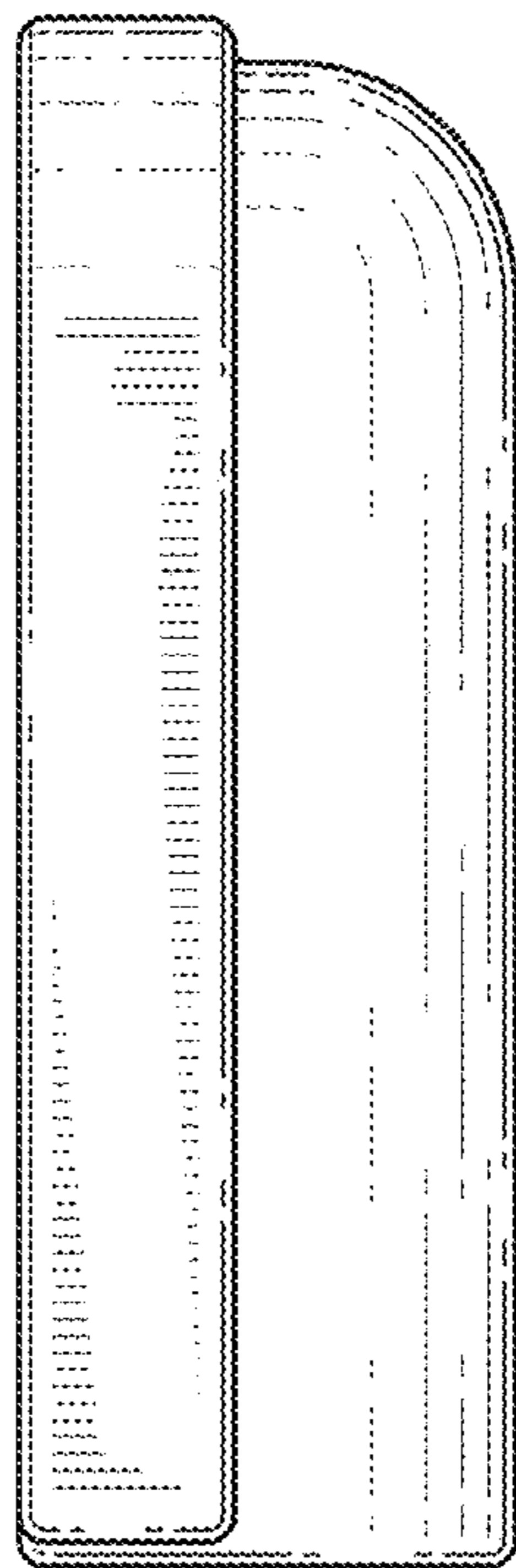
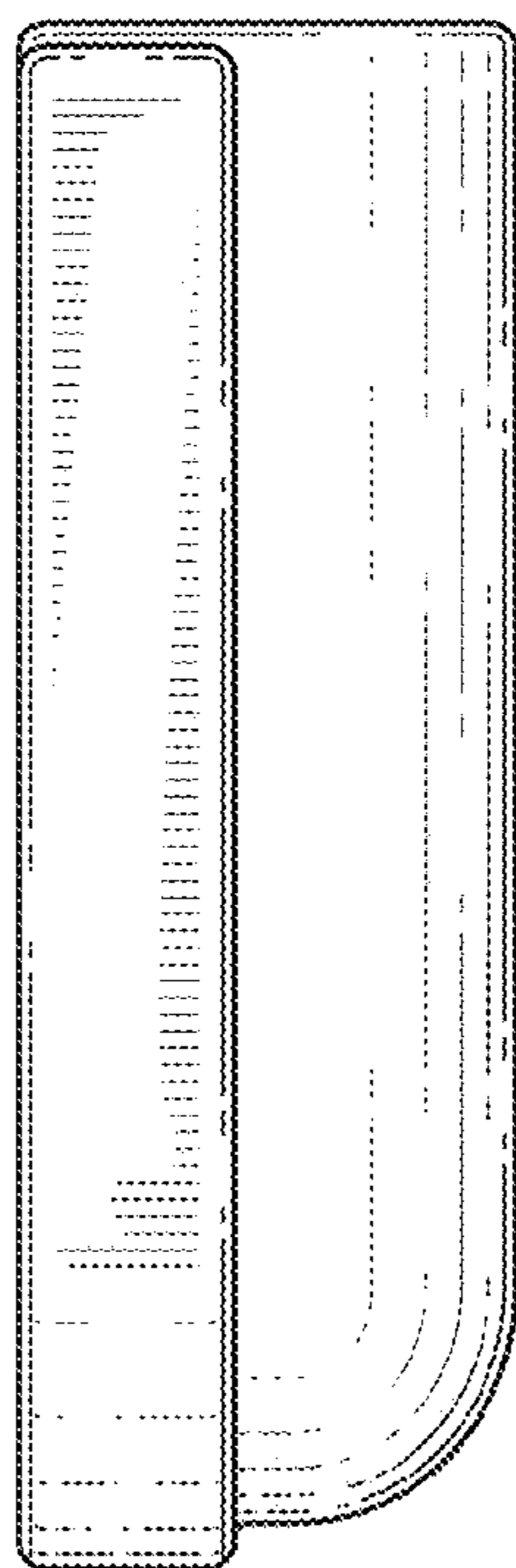


FIG. 7



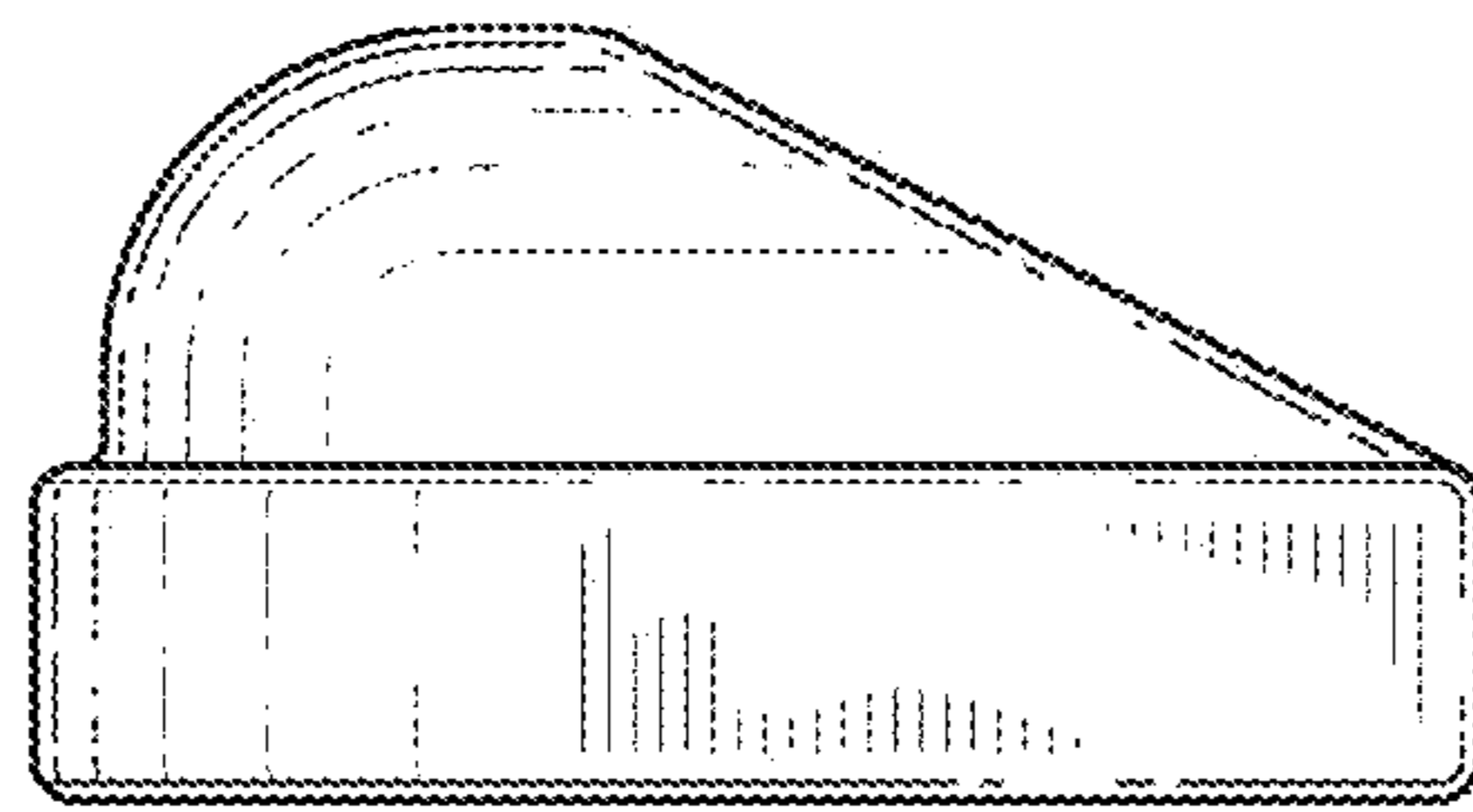


FIG. 8

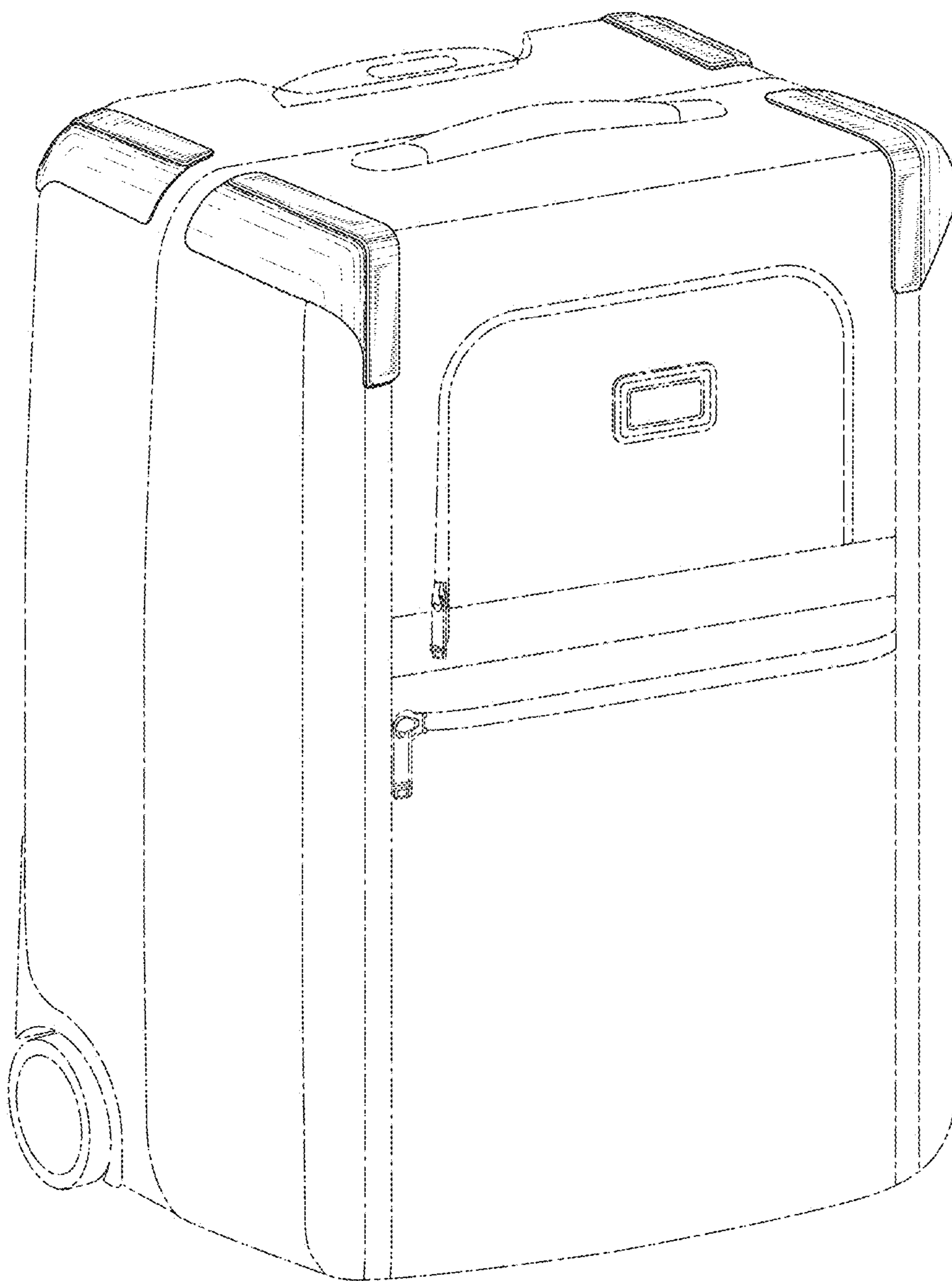


FIG. 9