



US00D728237S

(12) **United States Design Patent**
Aronoff et al.

(10) **Patent No.:** **US D728,237 S**

(45) **Date of Patent:** **** May 5, 2015**

(54) **PORTABLE STORAGE CONTAINER**

(71) Applicant: **8146896 Canada Inc.**, Saint-Leonard (CA)

(72) Inventors: **Eric Aronoff**, Saint-Leonard (CA);
Pierre Desjarlais, Boisbriand (CA)

(73) Assignee: **8146896 Canada, Inc.**, Saint-Leonard, QC (CA)

(**) Term: **14 Years**

(21) Appl. No.: **29/450,421**

(22) Filed: **Mar. 18, 2013**

(51) **LOC (10) Cl.** **03-01**

(52) **U.S. Cl.**
USPC **D3/302**

(58) **Field of Classification Search**
CPC A45C 5/14; A45C 13/385
USPC 190/18 A; 206/373, 503, 508, 518;
D3/272, 273, 274, 276, 279, 280, 283,
D3/284, 302; D9/423, 425
See application file for complete search history.

(56) **References Cited**

U.S. PATENT DOCUMENTS

3,200,432	A *	8/1965	Voegeli et al.	15/323
3,828,389	A *	8/1974	Heisler	15/257.06
4,071,258	A *	1/1978	Wallace	280/79.2
4,554,700	A *	11/1985	Lyman	15/323
D283,137	S *	3/1986	Hamar	D18/2
D283,138	S *	3/1986	Hamar	D18/11
D294,775	S *	3/1988	Rechberg	D3/279
4,903,869	A *	2/1990	McKenna	222/449
D358,765	S *	5/1995	Dickinson et al.	D3/279

5,520,400	A *	5/1996	Hung	280/47.26
5,533,228	A *	7/1996	Jarecki et al.	15/257.06
D421,678	S *	3/2000	Levy	D3/279
6,196,410	B1 *	3/2001	Hocking	220/495.02
D518,265	S *	3/2006	Prokop et al.	D32/53.1
D524,003	S *	6/2006	Prokop et al.	D32/53.1
D524,501	S *	7/2006	Prokop et al.	D32/53.1
D604,925	S *	11/2009	Hofman et al.	D99/28
D607,207	S *	1/2010	Horiyama et al.	D3/279
8,281,952	B2 *	10/2012	Robellard et al.	220/570
8,695,837	B2 *	4/2014	Sorenson	220/570
2005/0098564	A1 *	5/2005	Verbrugge et al.	220/570
2006/0108192	A1 *	5/2006	Bastarache	190/18 A
2010/0108685	A1 *	5/2010	Mills, II	220/553
2013/0277257	A1 *	10/2013	Aronoff et al.	206/373

* cited by examiner

Primary Examiner — Robert M Spear

(74) *Attorney, Agent, or Firm* — Rosenberg, Klein & Lee

(57) **CLAIM**

The ornamental design for a portable storage container, as shown and described.

DESCRIPTION

FIG. 1 is a top perspective view of a portable storage container showing our new design;

FIG. 2 is a bottom perspective view thereof;

FIG. 3 is a top plan view thereof;

FIG. 4 is a bottom plan view thereof;

FIG. 5 is a front elevational view thereof;

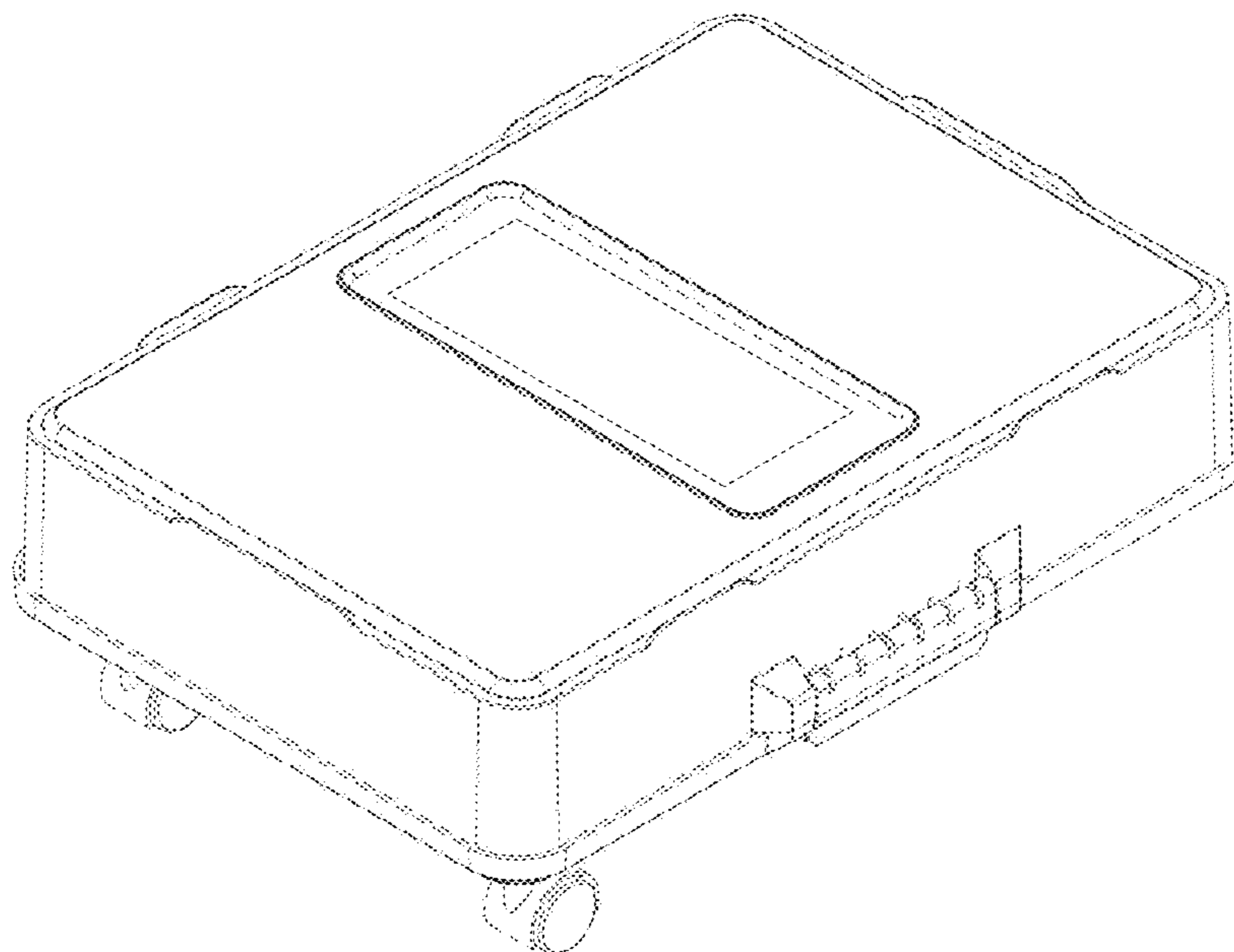
FIG. 6 is a rear elevational view thereof;

FIG. 7 is a left side elevational view thereof; and,

FIG. 8 is a right side elevational view thereof.

The broken lines in the figures are for the purpose of illustrating portions of the portable storage container and form no part of the claimed design.

1 Claim, 6 Drawing Sheets



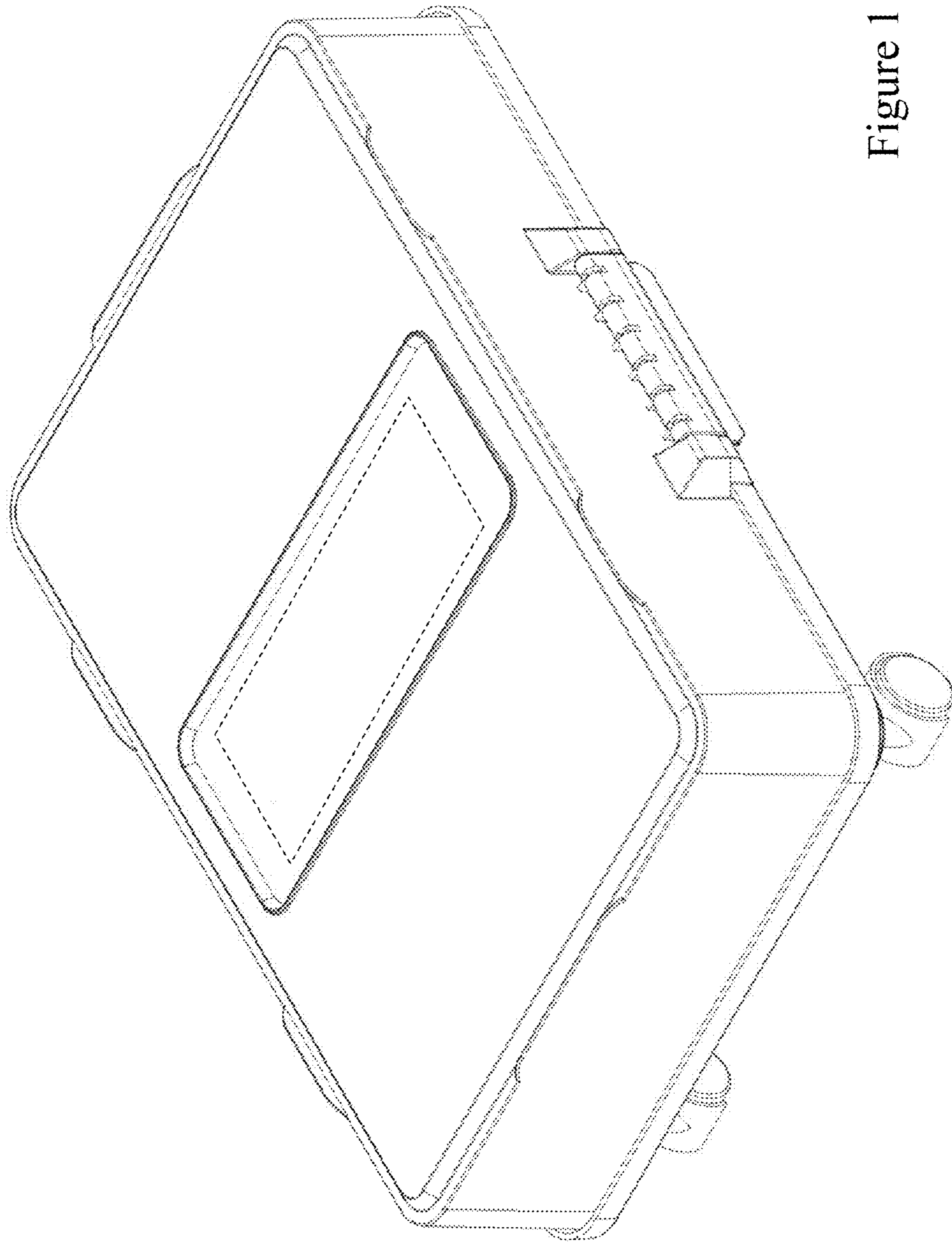


Figure 1

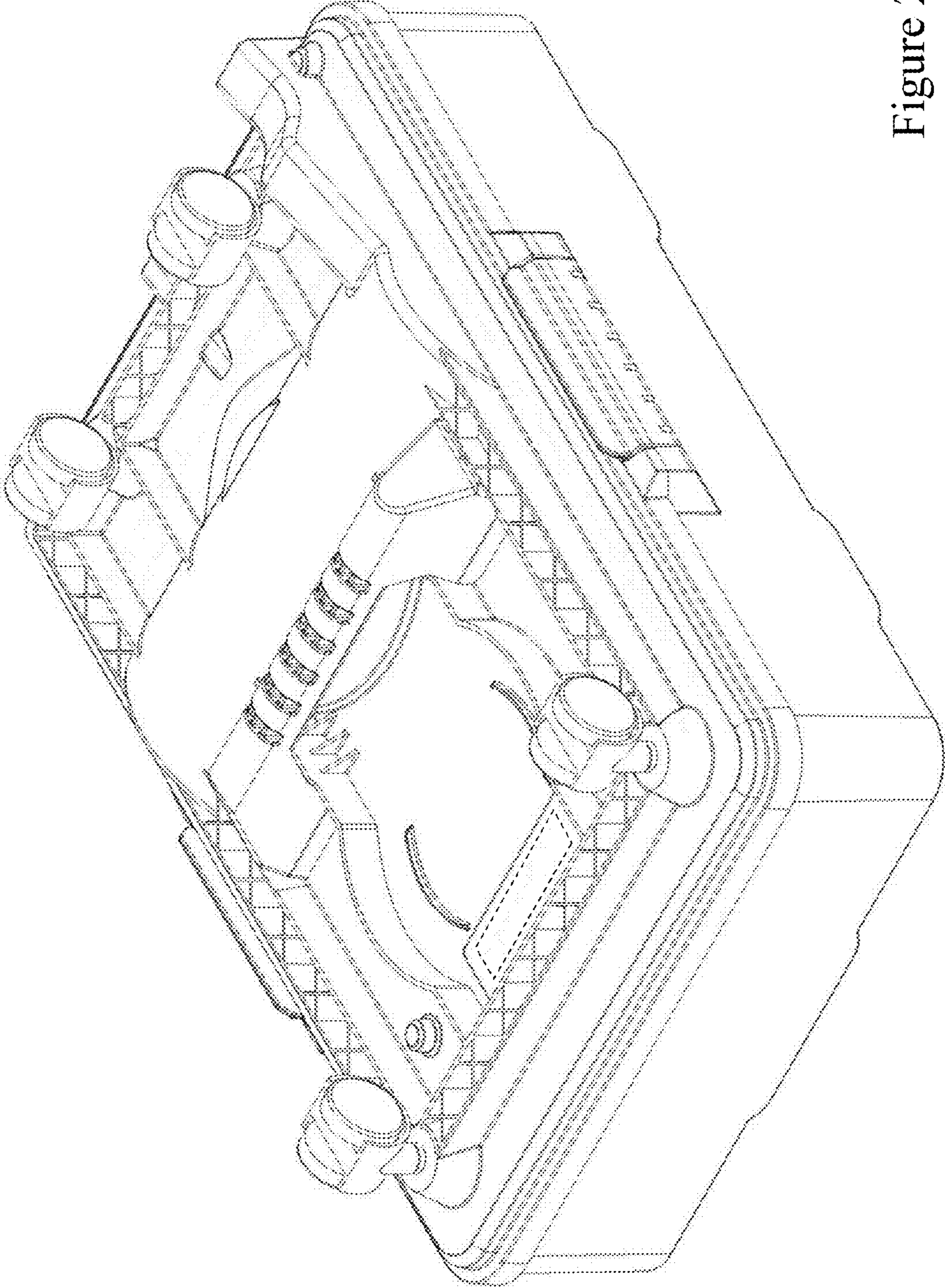


Figure 2

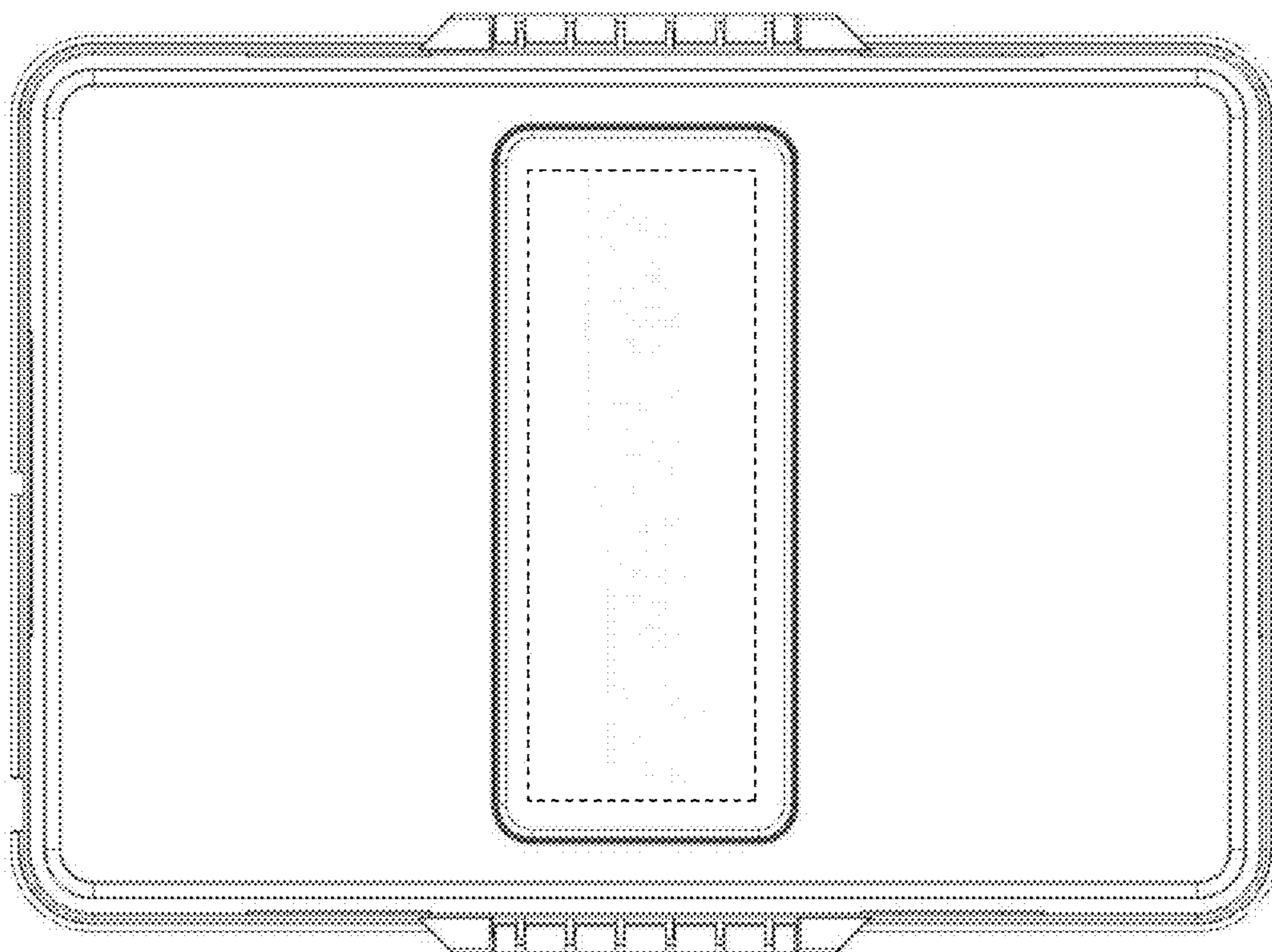


Figure 3

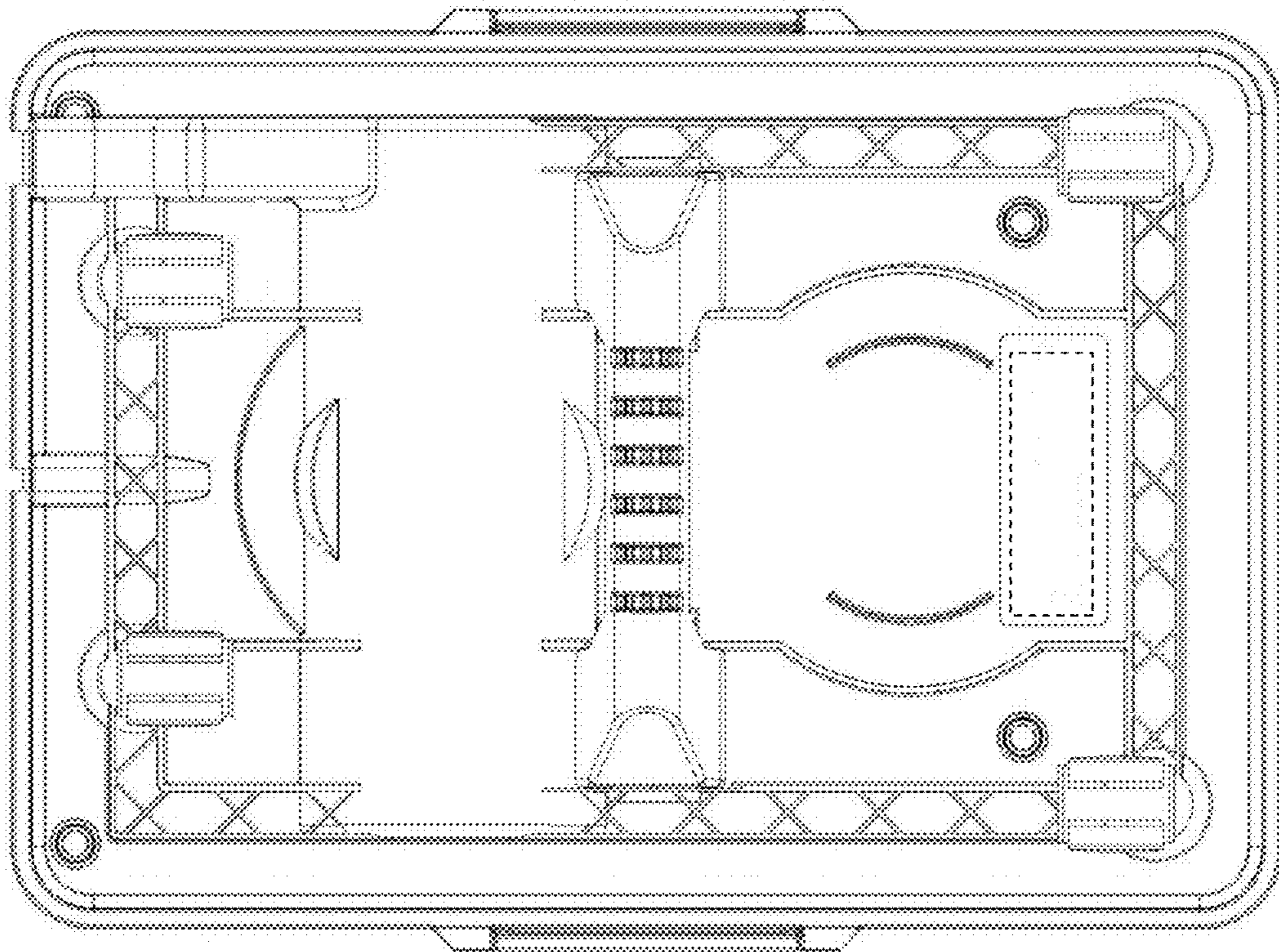


Figure 4

Figure 5

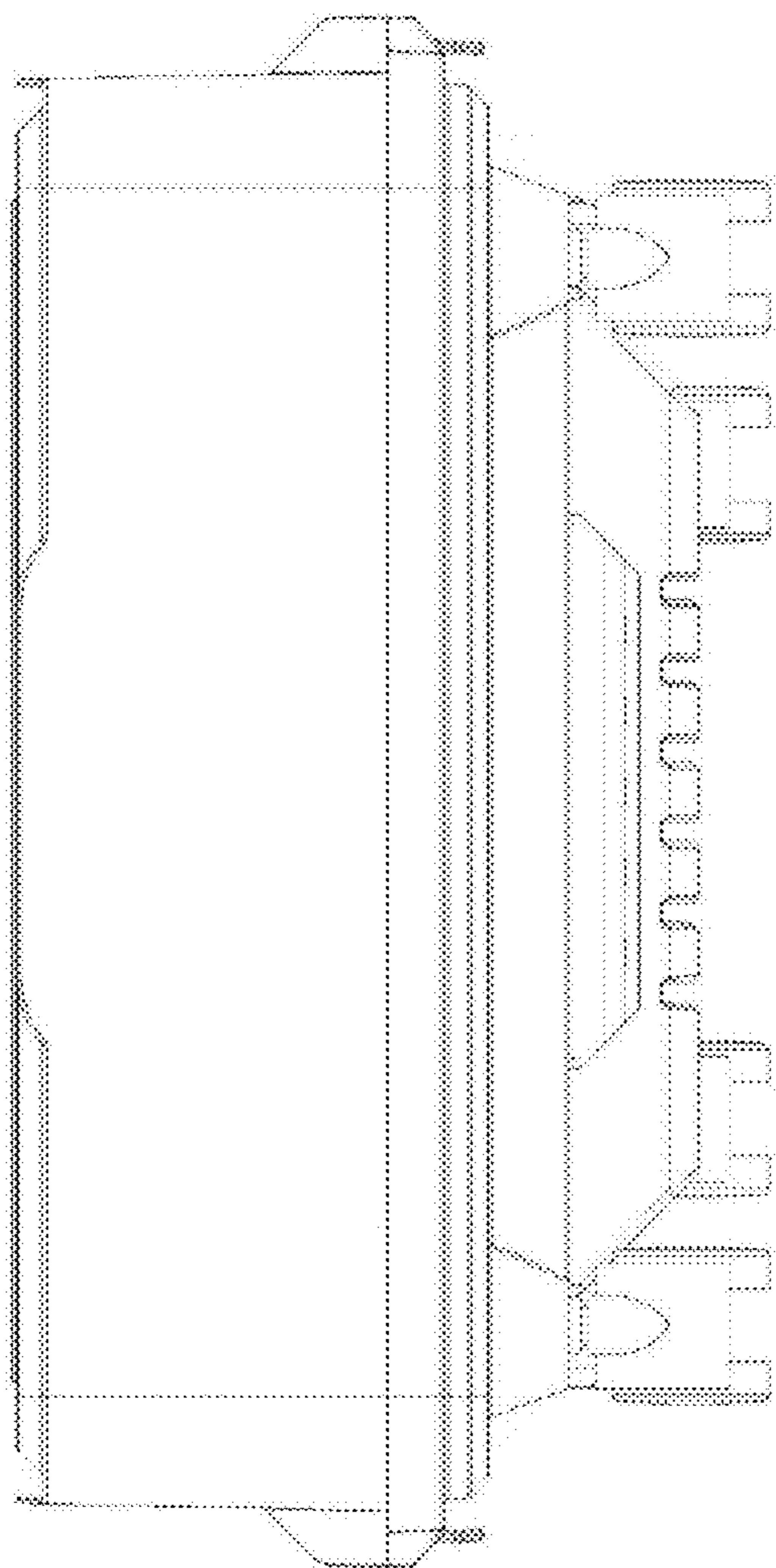
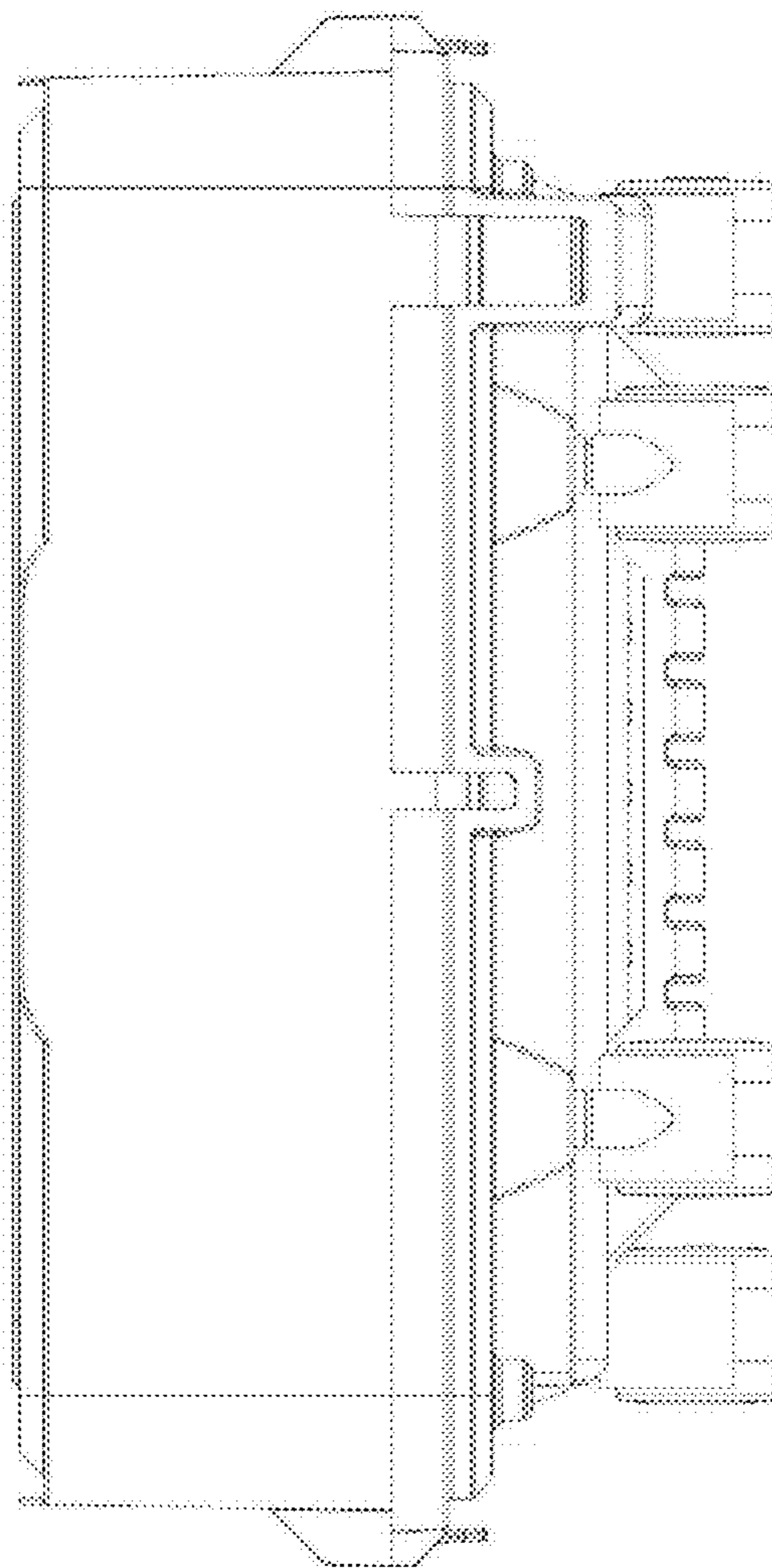


Figure 6



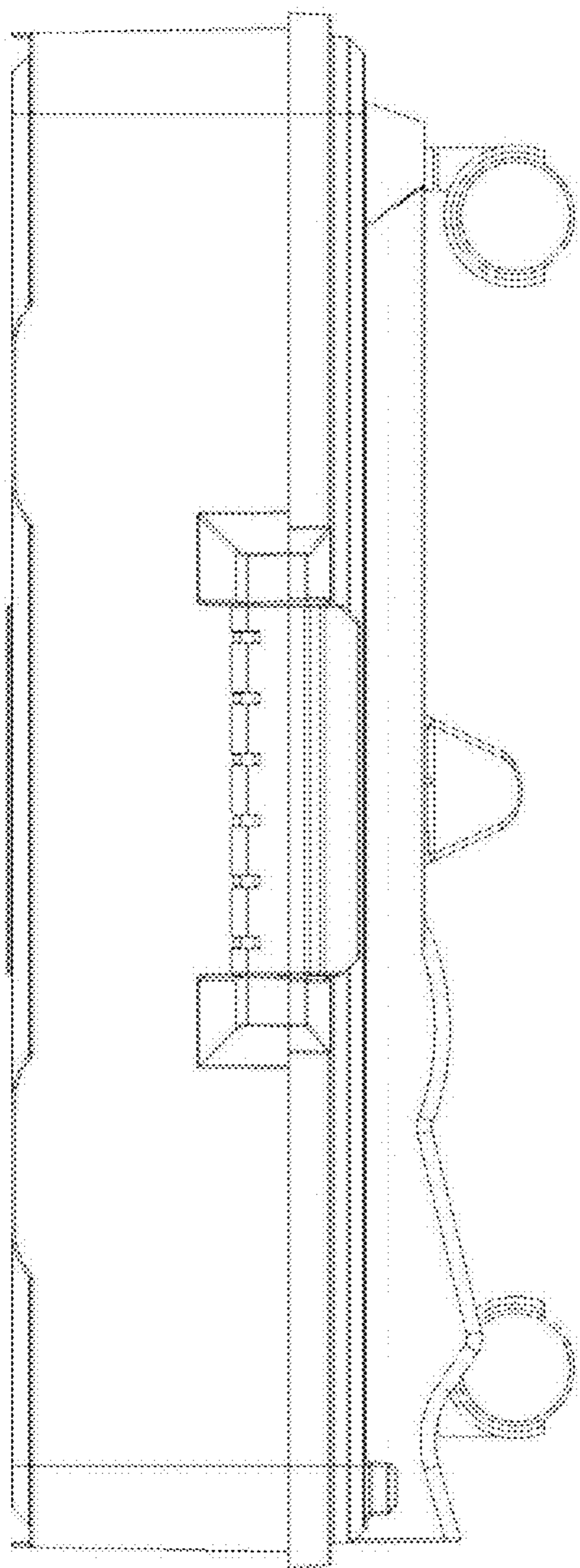


Figure 7

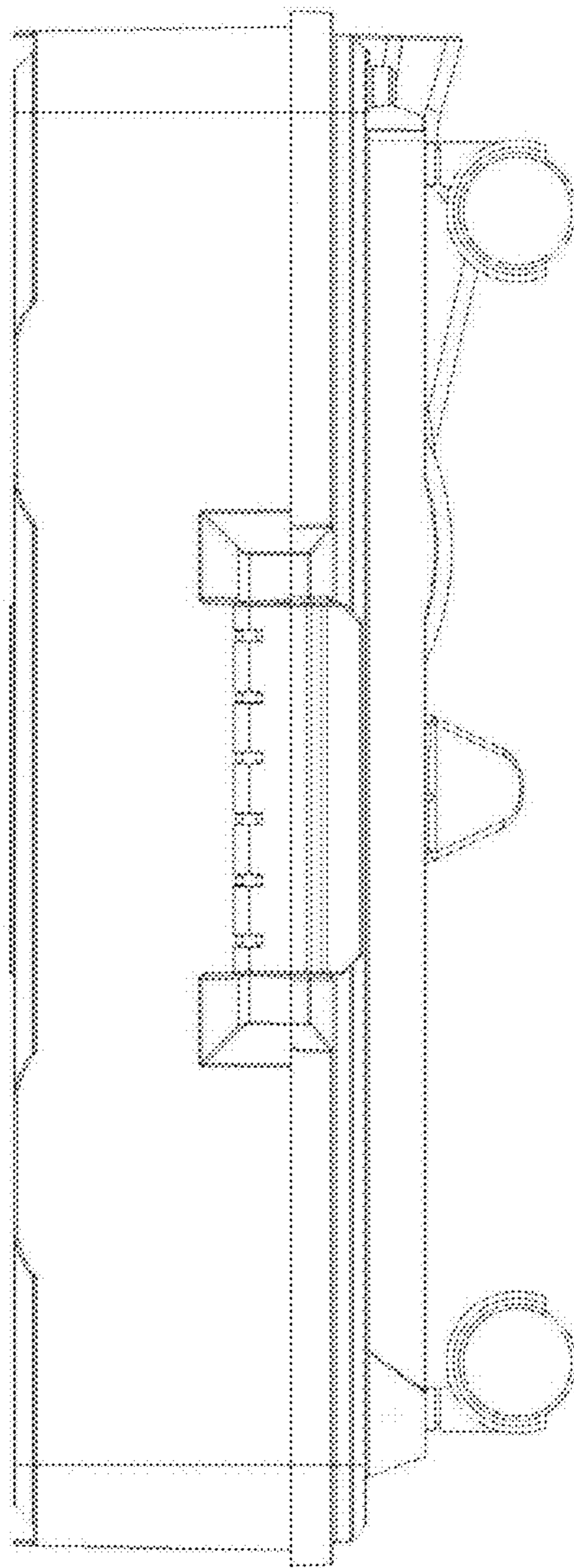


Figure 8