



US00D728236S

(12) **United States Design Patent**
Virassamy et al.

(10) **Patent No.:** **US D728,236 S**
(45) **Date of Patent:** **** May 5, 2015**

(54) **SUITCASE**

(71) Applicant: **Delsey**, Tremblay en France (FR)

(72) Inventors: **Steeve Virassamy**, Paris (FR); **Xavier Ynna**, Paris (FR)

(73) Assignee: **Nexans**, Paris (FR)

(**) Term: **14 Years**

(21) Appl. No.: **29/482,286**

(22) Filed: **Feb. 17, 2014**

(30) **Foreign Application Priority Data**

Sep. 23, 2013 (FR) 002314088-0001

(51) **LOC (10) Cl.** **03-01**

(52) **U.S. Cl.**
USPC **D3/279**; D3/264; D3/282

(58) **Field of Classification Search**
CPC A45C 7/00; A45C 5/14; A45C 13/28
USPC D3/273, 276, 279, 289, 301, 283, 272,
D3/278, 274, 281, 321, 902, 292;
190/18 A, 100-127; 206/286-287.1
See application file for complete search history.

(56) **References Cited**

U.S. PATENT DOCUMENTS

D373,246 S * 9/1996 Stokes et al. D3/279
D375,199 S * 11/1996 Stokes et al. D3/279
D383,905 S * 9/1997 Stokes et al. D3/279
5,943,936 A * 8/1999 Deliman et al. 190/115

D422,409 S * 4/2000 Klenner et al. D3/279
D428,698 S * 8/2000 Cheng D3/279
D438,005 S * 2/2001 Tiramani et al. D3/279
D462,169 S * 9/2002 Giovanni D3/279
D525,031 S * 7/2006 Miles et al. D3/279
D603,163 S * 11/2009 Van Himbeek D3/279
7,832,533 B2 * 11/2010 Selvi 190/124
D666,414 S * 9/2012 Giovannoni D3/279
D677,050 S * 3/2013 Saba et al. D3/276
D714,057 S * 9/2014 Hou D3/279
2014/0238801 A1 * 8/2014 Lai 190/105
2014/0284157 A1 * 9/2014 Sheikh 190/103
2014/0299430 A1 * 10/2014 Tseng et al. 190/107

* cited by examiner

Primary Examiner — Jennifer Rivard

Assistant Examiner — April Rivas

(74) *Attorney, Agent, or Firm* — Sofer & Haroun, LLP

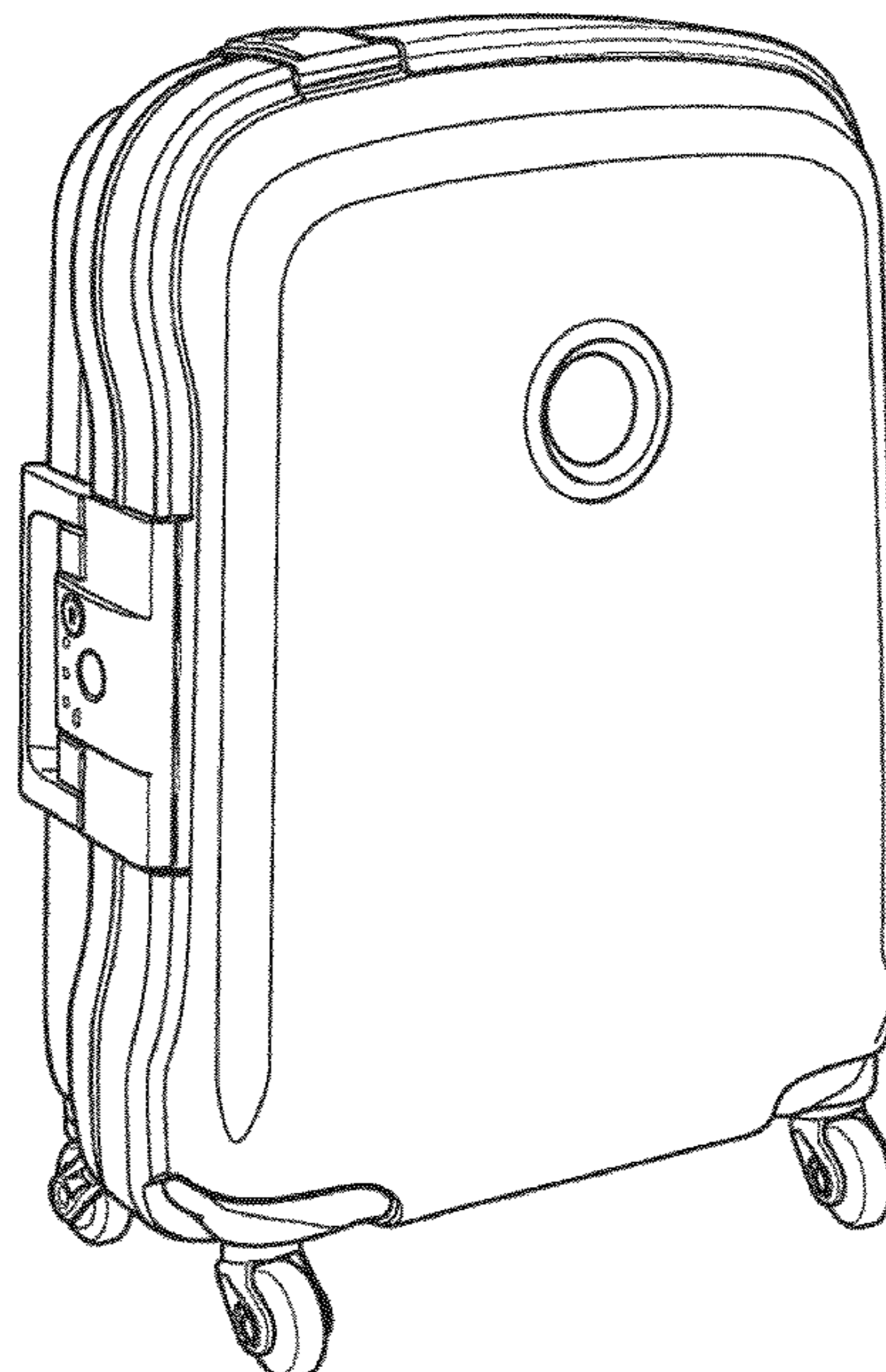
(57) **CLAIM**

We claim the ornamental design for a suitcase, as shown and described.

DESCRIPTION

FIG. 1 is a perspective view of the suitcase;
FIG. 2 is a front view of the suitcase as shown in FIG. 1;
FIG. 3 is a left side view of the suitcase as shown in FIG. 1;
FIG. 4 is a right side view of the suitcase as shown in FIG. 1;
FIG. 5 is a top view of the suitcase as shown in FIG. 1;
FIG. 6 is a bottom view of the suitcase as shown in FIG. 1;
and,
FIG. 7 is a back view of the suitcase in accordance with the present invention.

1 Claim, 7 Drawing Sheets



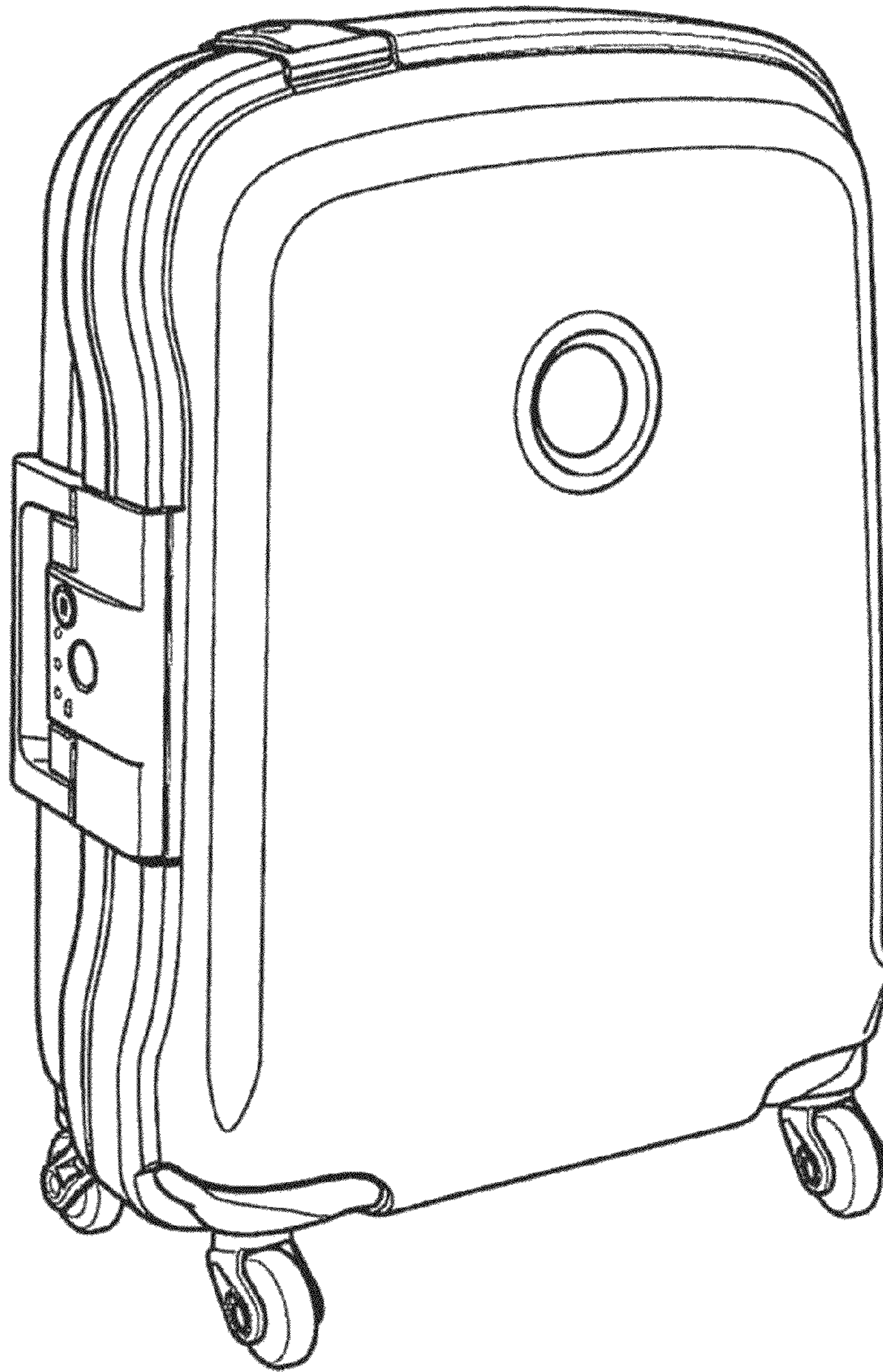


Figure 1

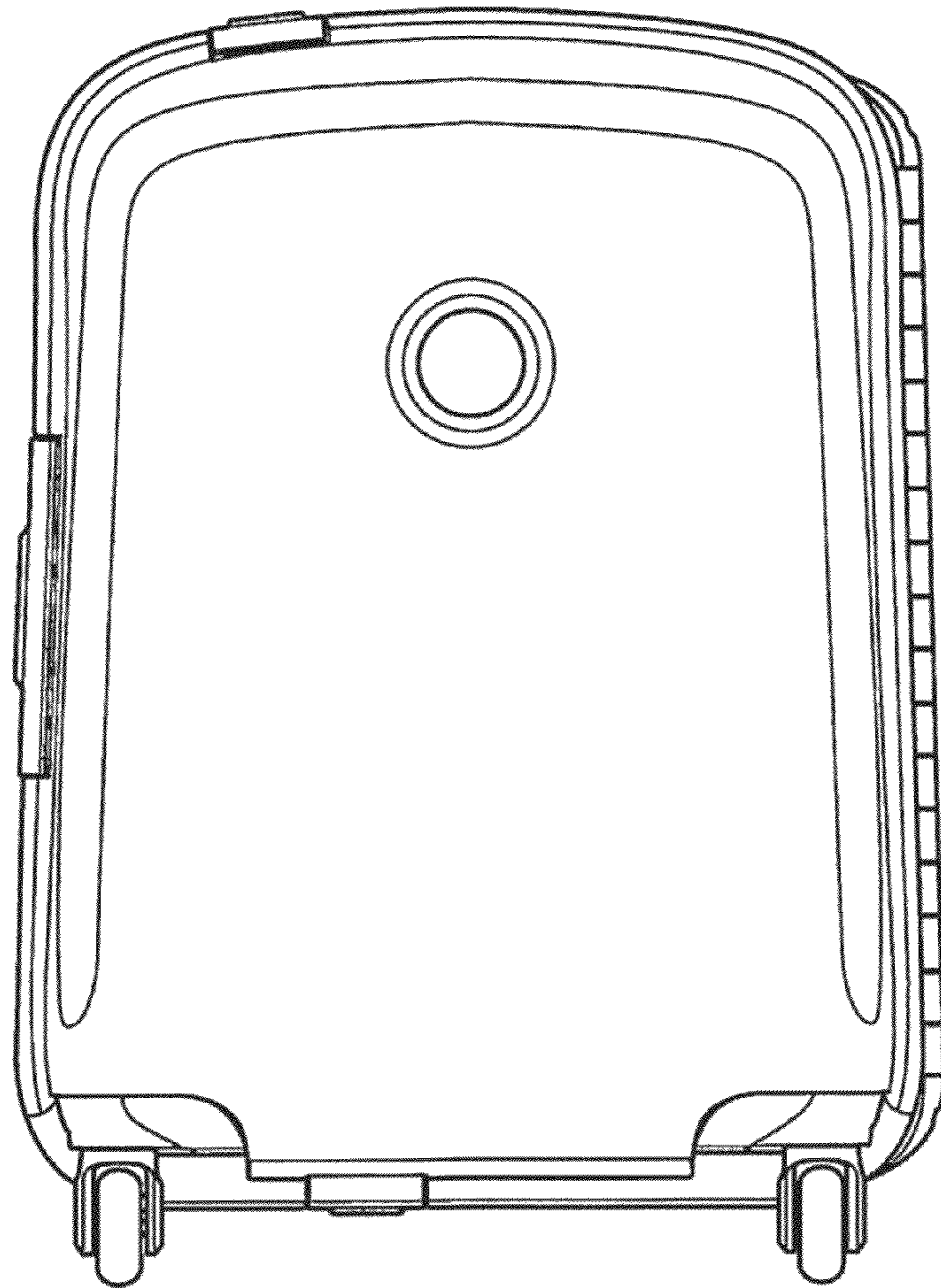


Figure 2

Figure 3

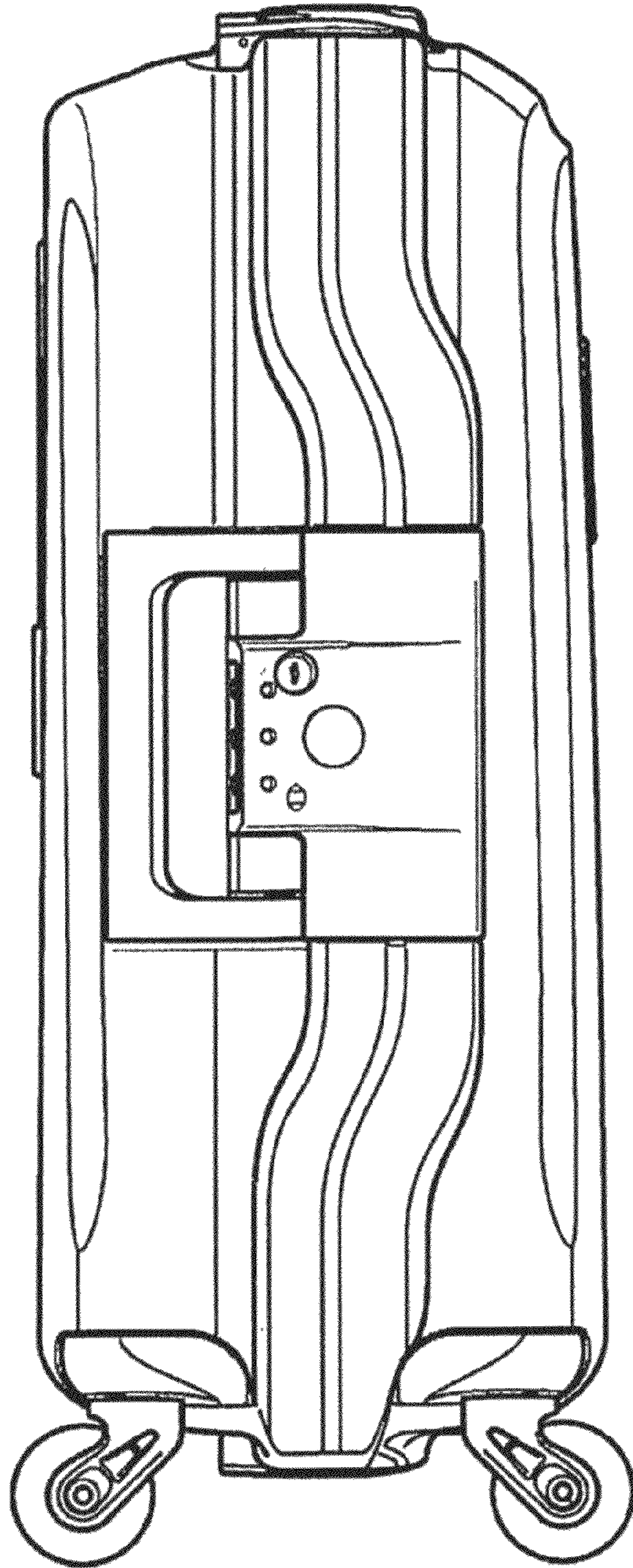
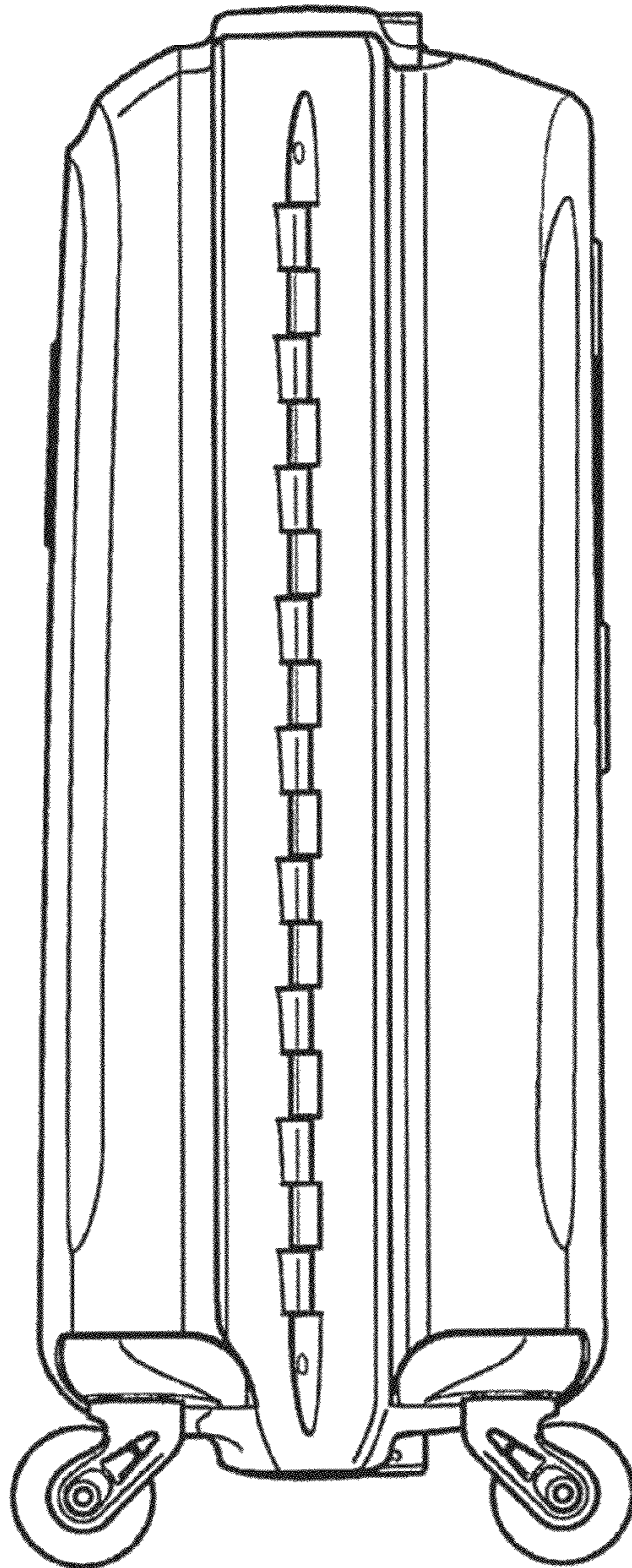


Figure 4



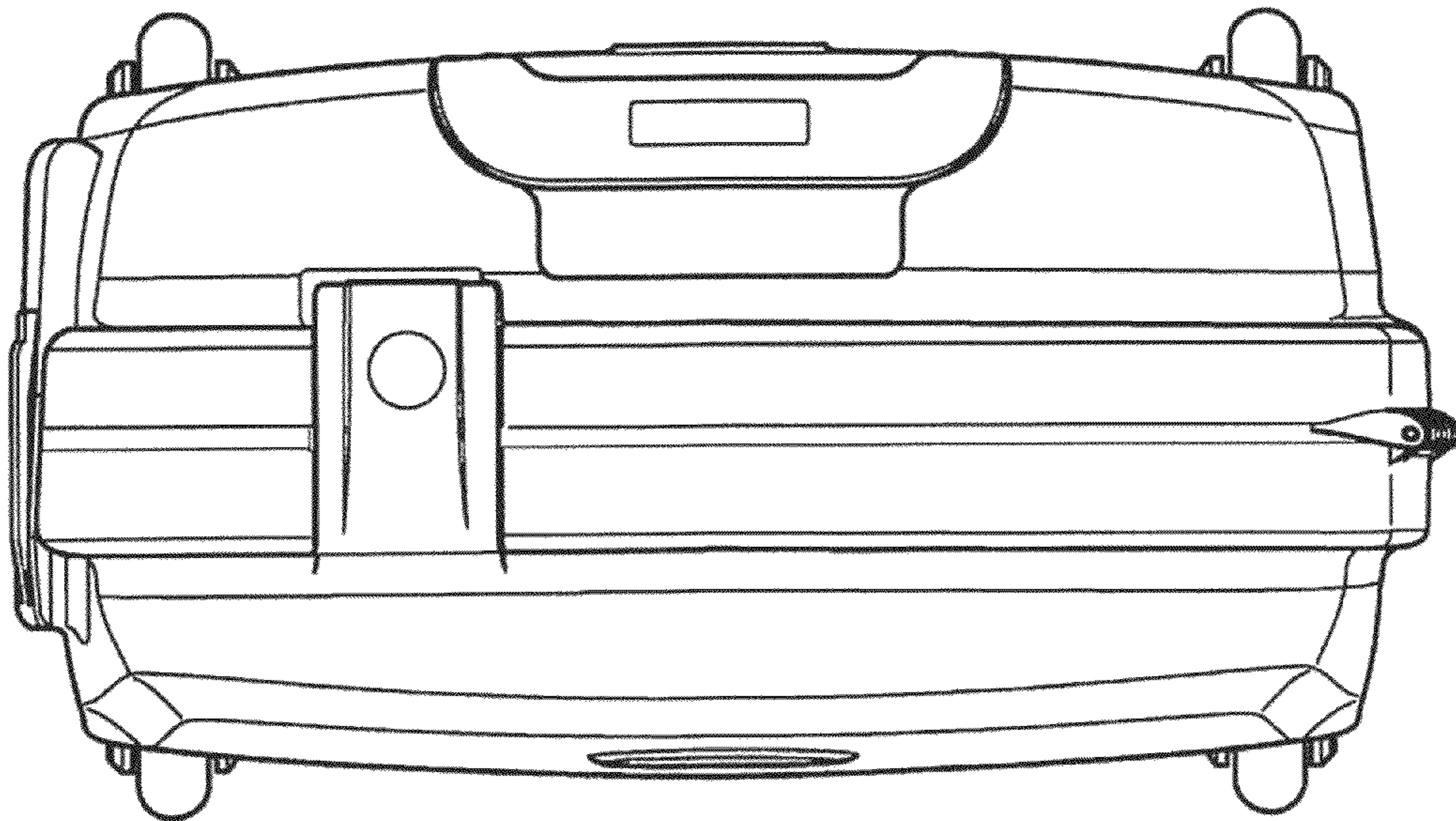


Figure 5

Figure 6

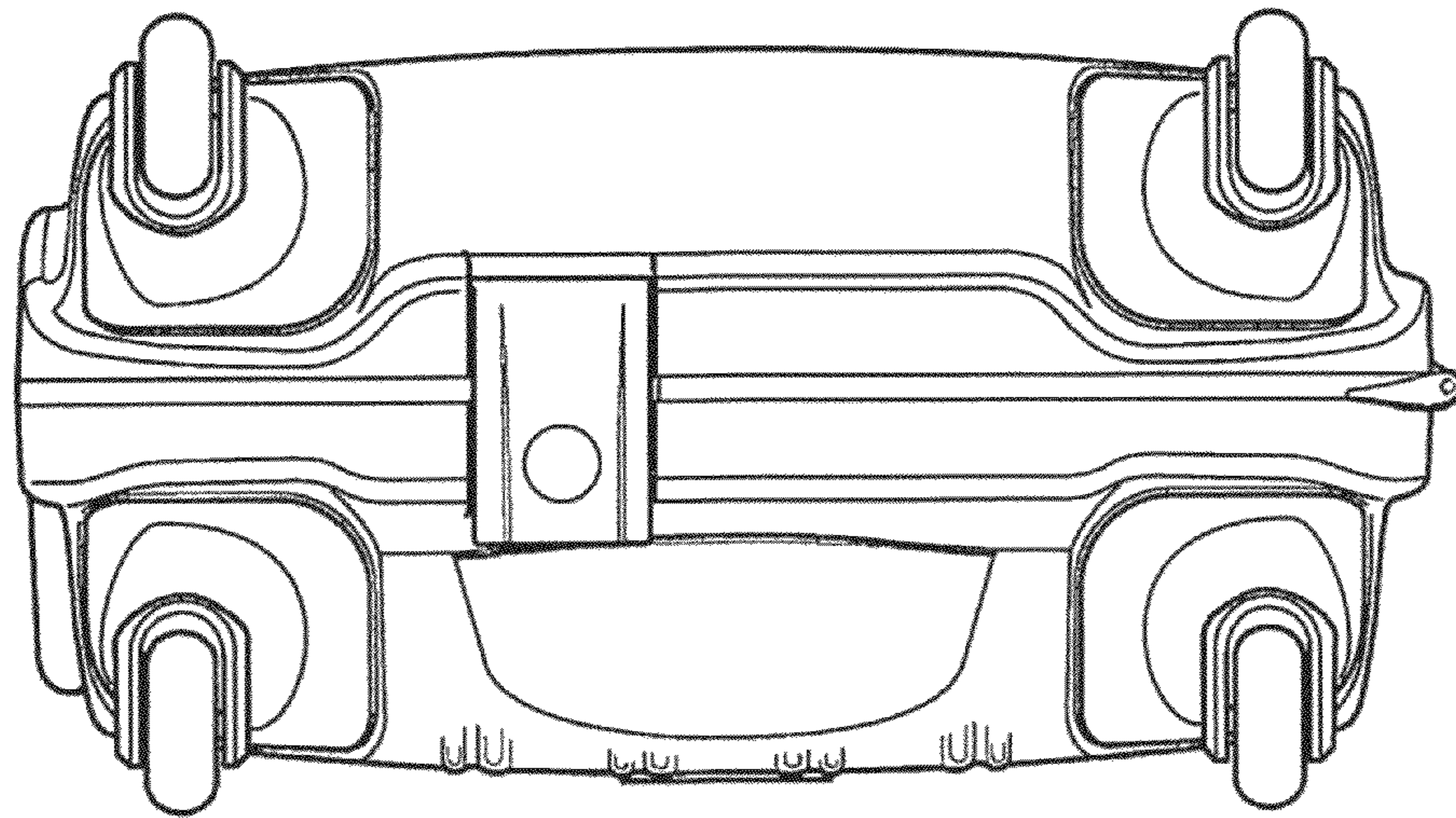


Figure 7

