



US00D728235S

(12) **United States Design Patent**  
**Martinson**

(10) **Patent No.:** **US D728,235 S**

(45) **Date of Patent:** **\*\* May 5, 2015**

(54) **TWIST TIE HOLDER WITH A BONDED ADHESIVE STRIP**

(71) Applicant: **Nite Ize, Inc.**, Boulder, CO (US)

(72) Inventor: **Daniel J. Martinson**, Medina, MN (US)

(73) Assignee: **Nite Ize, Inc.**, Boulder, CO (US)

(\*\*) Term: **14 Years**

(21) Appl. No.: **29/441,573**

(22) Filed: **Jan. 7, 2013**

(51) **LOC (10) Cl.** ..... **03-01**

(52) **U.S. Cl.**  
USPC ..... **D3/273**

(58) **Field of Classification Search**  
CPC ..... F16G 11/14; F16L 3/00  
USPC ..... D8/396, 356; 24/16 PB, 17 AP, 30.5 P  
See application file for complete search history.

(56) **References Cited**

U.S. PATENT DOCUMENTS

D616,292 S \* 5/2010 Martinson ..... D8/394

\* cited by examiner

*Primary Examiner* — Holly Baynham

(74) *Attorney, Agent, or Firm* — Squire Patton Boggs (US) LLP

(57) **CLAIM**

The ornamental design for a twist tie holder with a bonded adhesive strip, as shown and described.

**DESCRIPTION**

FIG. 1 is a front perspective view of a twist tie holder with a bonded adhesive strip;

FIG. 2 is a rear perspective view of the twist tie holder with a bonded adhesive strip of FIG. 1;

FIG. 3 is a front view of the twist tie holder with a bonded adhesive strip of FIG. 1;

FIG. 4 is a rear view of the twist tie holder with a bonded adhesive strip of FIG. 1;

FIG. 5 is a left side view of the twist tie holder with a bonded adhesive strip of FIG. 1;

FIG. 6 is a right side view of the twist tie holder with a bonded adhesive strip of FIG. 1;

FIG. 7 is a top view of the twist tie holder with a bonded adhesive strip of FIG. 1; and,

FIG. 8 is a bottom view of the twist tie holder with a bonded adhesive strip of FIG. 1.

The broken lines showing a circular article in each figure are for the purpose of illustrating the environment to which the bonded adhesive strip is affixed and forms no part of the claimed design.

**1 Claim, 3 Drawing Sheets**

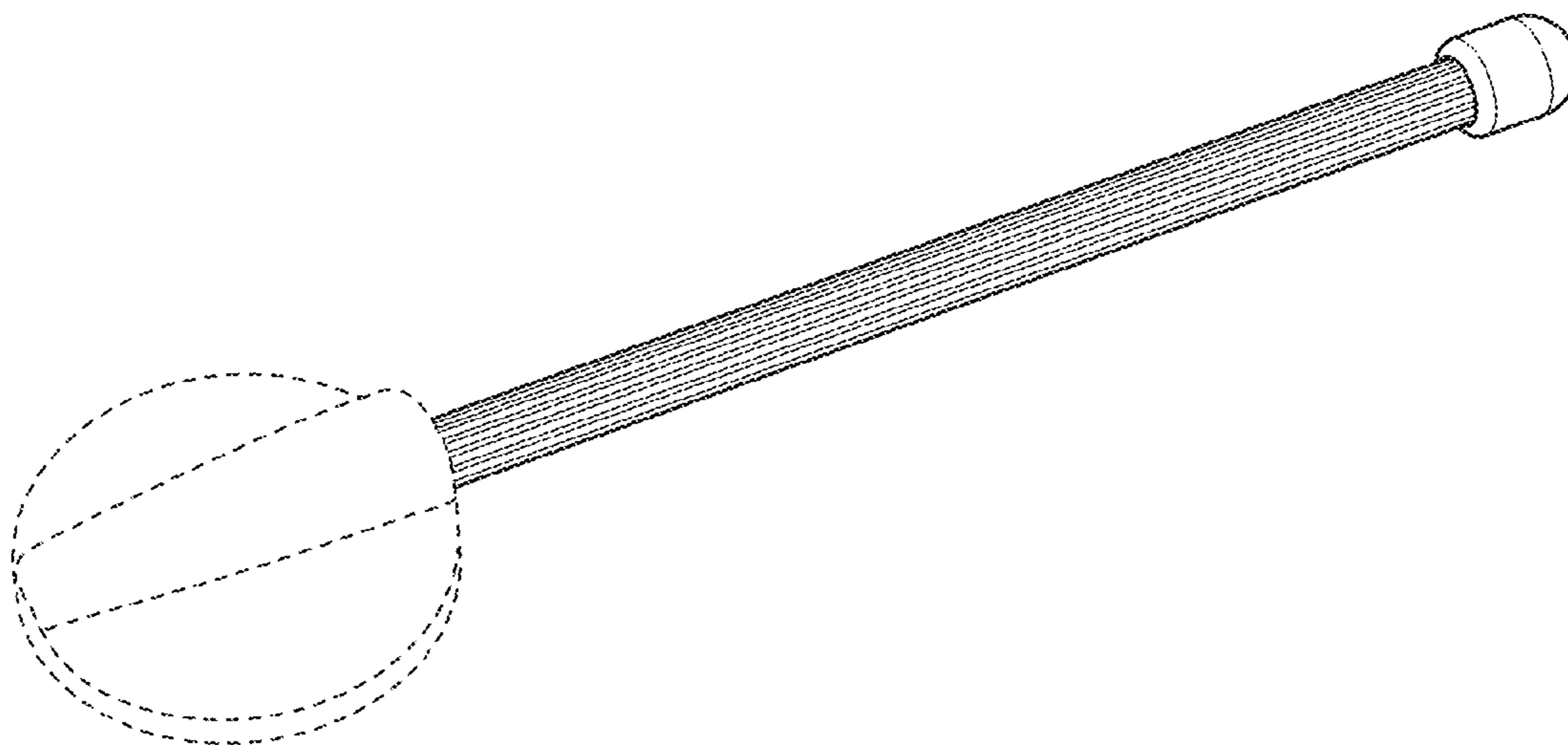


FIG. 1

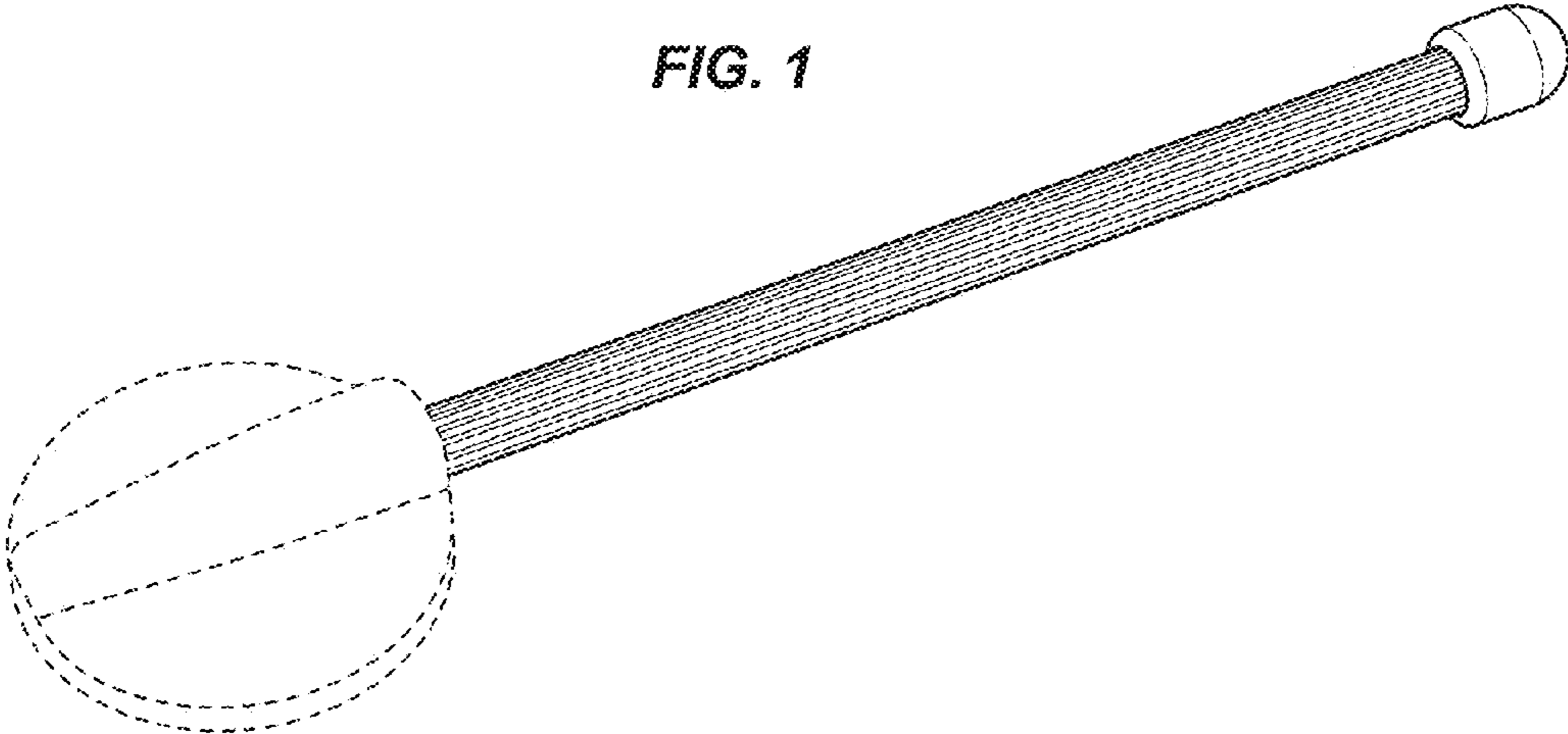


FIG. 2

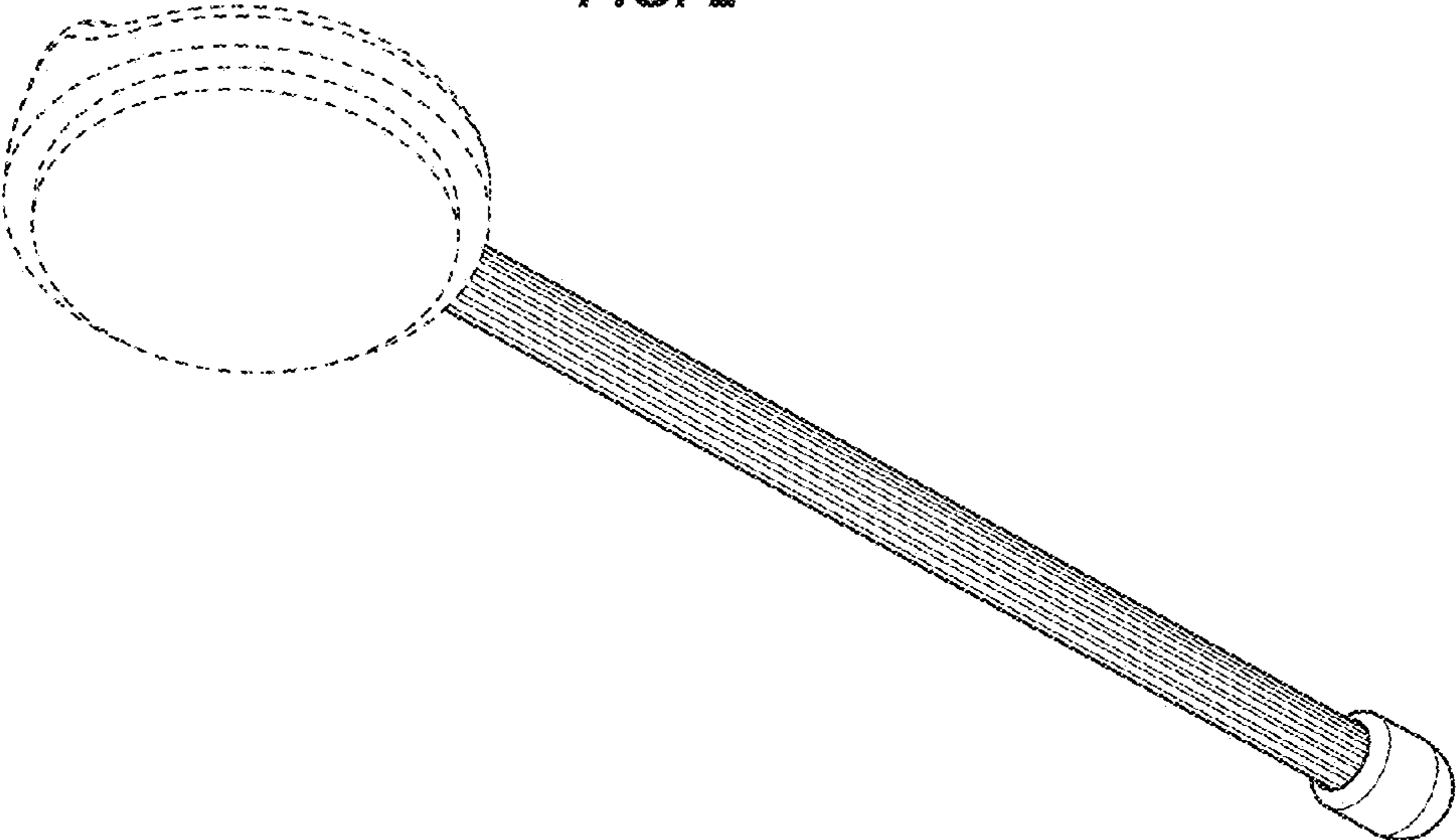


FIG. 3

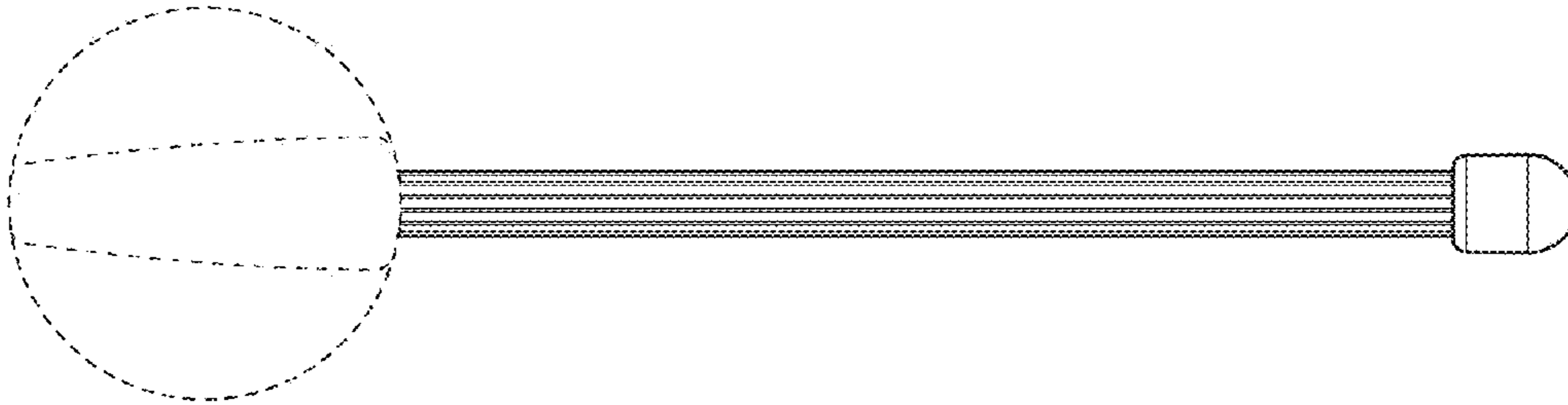


FIG. 4

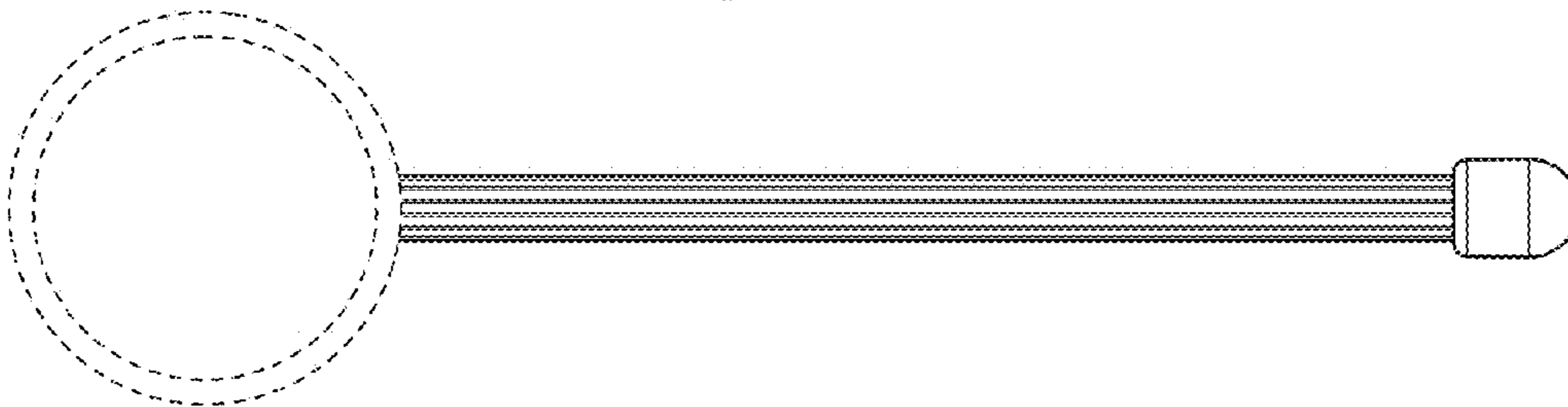


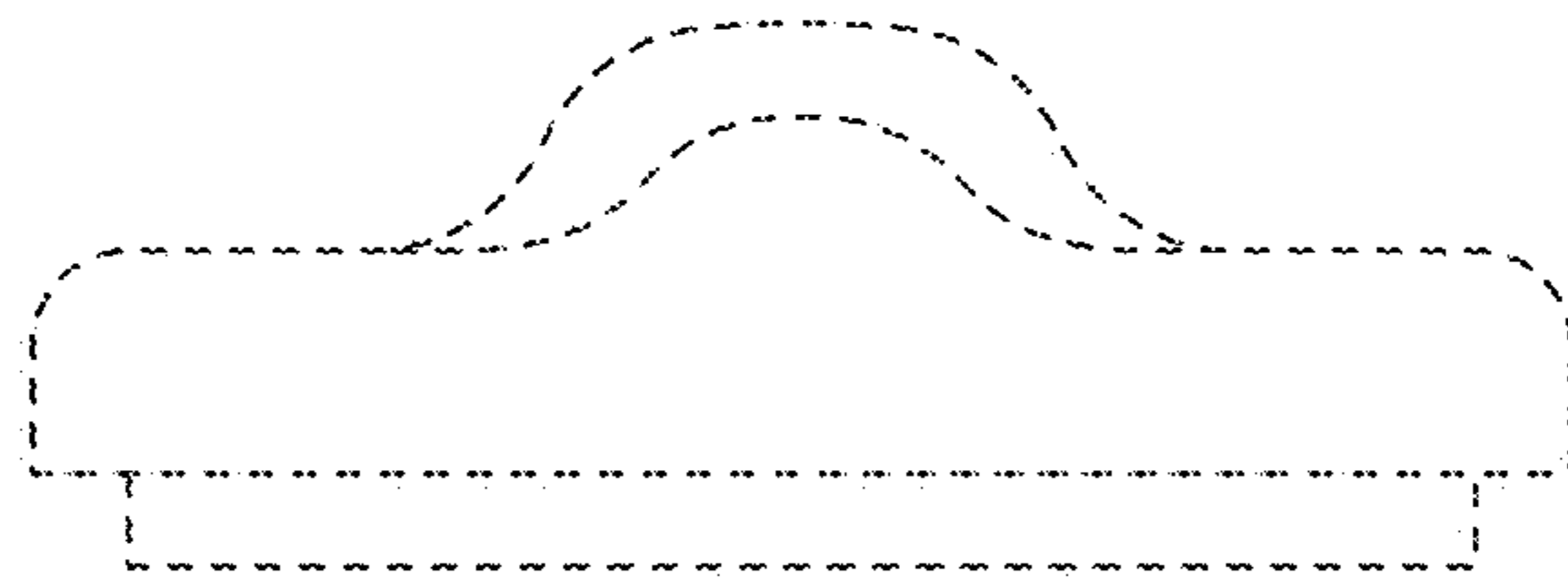
FIG. 5



FIG. 6



**FIG. 7**



**FIG. 8**

