

US00D728231S

(12) **United States Design Patent**
Loi

(10) **Patent No.:** **US D728,231 S**

(45) **Date of Patent:** **** May 5, 2015**

(54) **WALLET**

(71) Applicant: **Teng Hou Loi**, Macau (CN)

(72) Inventor: **Teng Hou Loi**, Macau (CN)

(**) Term: **14 Years**

(21) Appl. No.: **29/483,475**

(22) Filed: **Feb. 28, 2014**

(30) **Foreign Application Priority Data**

Jan. 27, 2014 (CN) 2014 3 0022387

(51) **LOC (10) Cl.** **03-01**

(52) **U.S. Cl.**
USPC **D3/247**

(58) **Field of Classification Search**
CPC A45C 1/06
USPC D3/247, 249-253
See application file for complete search history.

(56) **References Cited**

U.S. PATENT DOCUMENTS

D105,238 S *	7/1937	Buxton	D3/253
D109,815 S *	5/1938	Mueller	D3/253
D136,093 S *	8/1943	Weinstein	D3/253
D141,836 S *	7/1945	Pence et al.	D3/253
D155,844 S *	11/1949	Simpson	D3/253
D222,203 S *	10/1971	Hudson	D3/253

D342,829 S * 1/1994 Mitchell D3/253

* cited by examiner

Primary Examiner — Holly Baynham

(74) *Attorney, Agent, or Firm* — Warner Norcross & Judd LLP

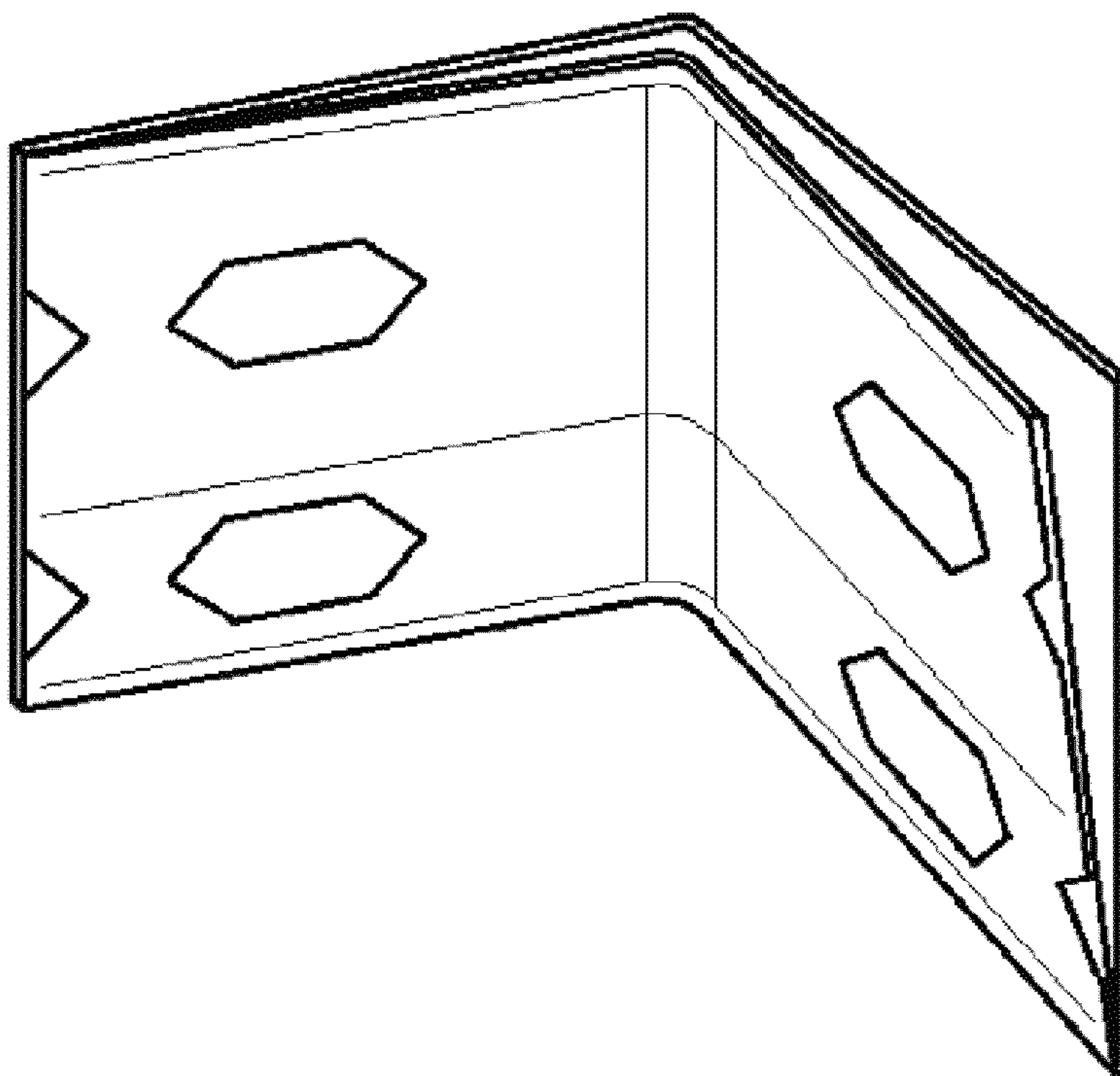
(57) **CLAIM**

The ornamental design for a wallet, as shown and described.

DESCRIPTION

FIG. 1 is an elevational view of the inside of the wallet;
 FIG. 2 is an elevational view of the outside of the wallet;
 FIG. 3 is a perspective view opened at an angle;
 FIG. 4 is a top plan view of the wallet opened;
 FIG. 5 shows the right side view of section B-B of the wallet when flipped open. It shows clearly that the right side of the wallet is unstitched. The card compartments are stitched in such a way that the cards overlap each other in the card compartments, while a part of each bottom card remains visible (see also FIG. 1). This design is intentionally used to make it possible that the wallet can hold up to 8 cards through the 8 card compartments whereby each card can be slid out using the hexagon-shaped hole, while maintaining the compact size of the wallet.
 FIG. 6 shows a perspective view of the wallet when opened at an angle of about 60° .
 FIG. 7 shows the front view of the wallet when closed; and, FIG. 8 shows the rear view of the wallet when closed.
 The broken lines showing cards are for the purposes of illustrating environment and forms no part of the claimed design.

1 Claim, 1 Drawing Sheet



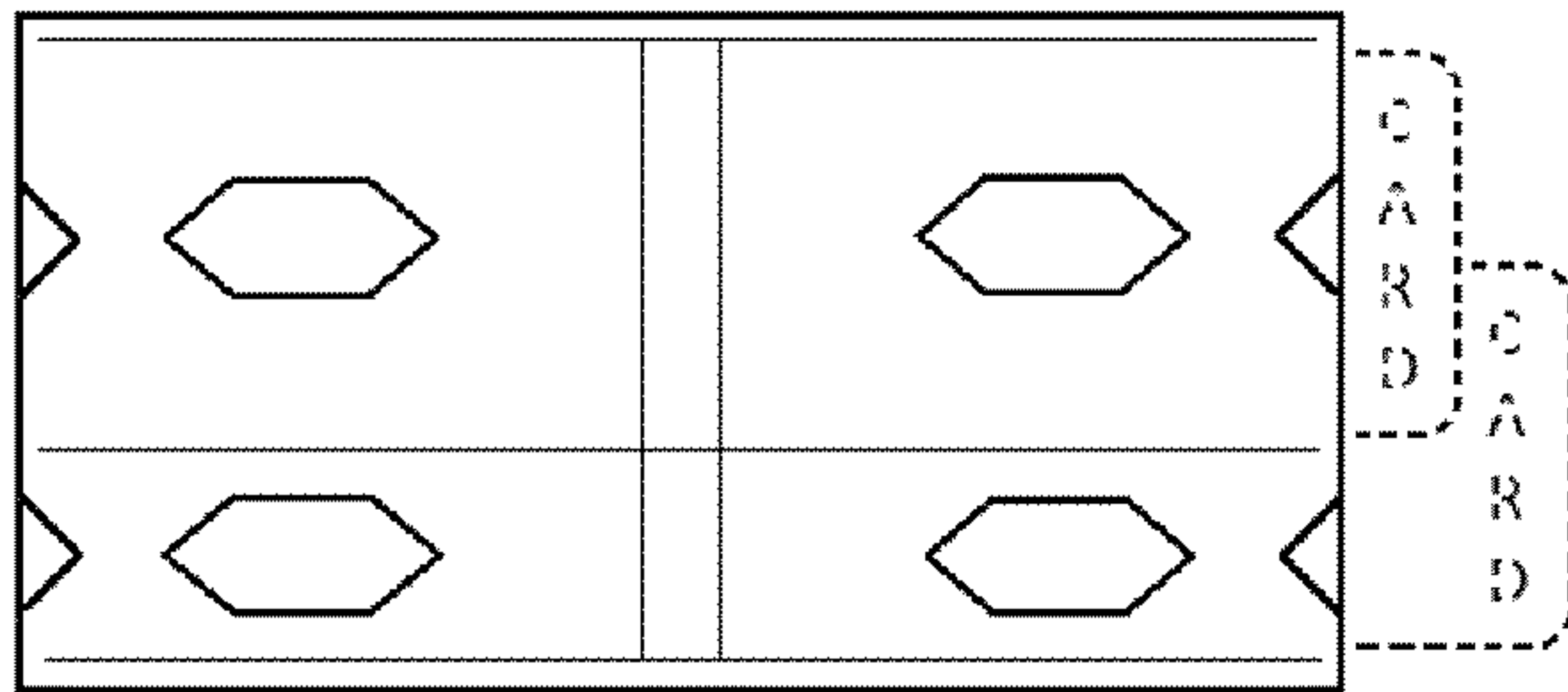


FIG. 1

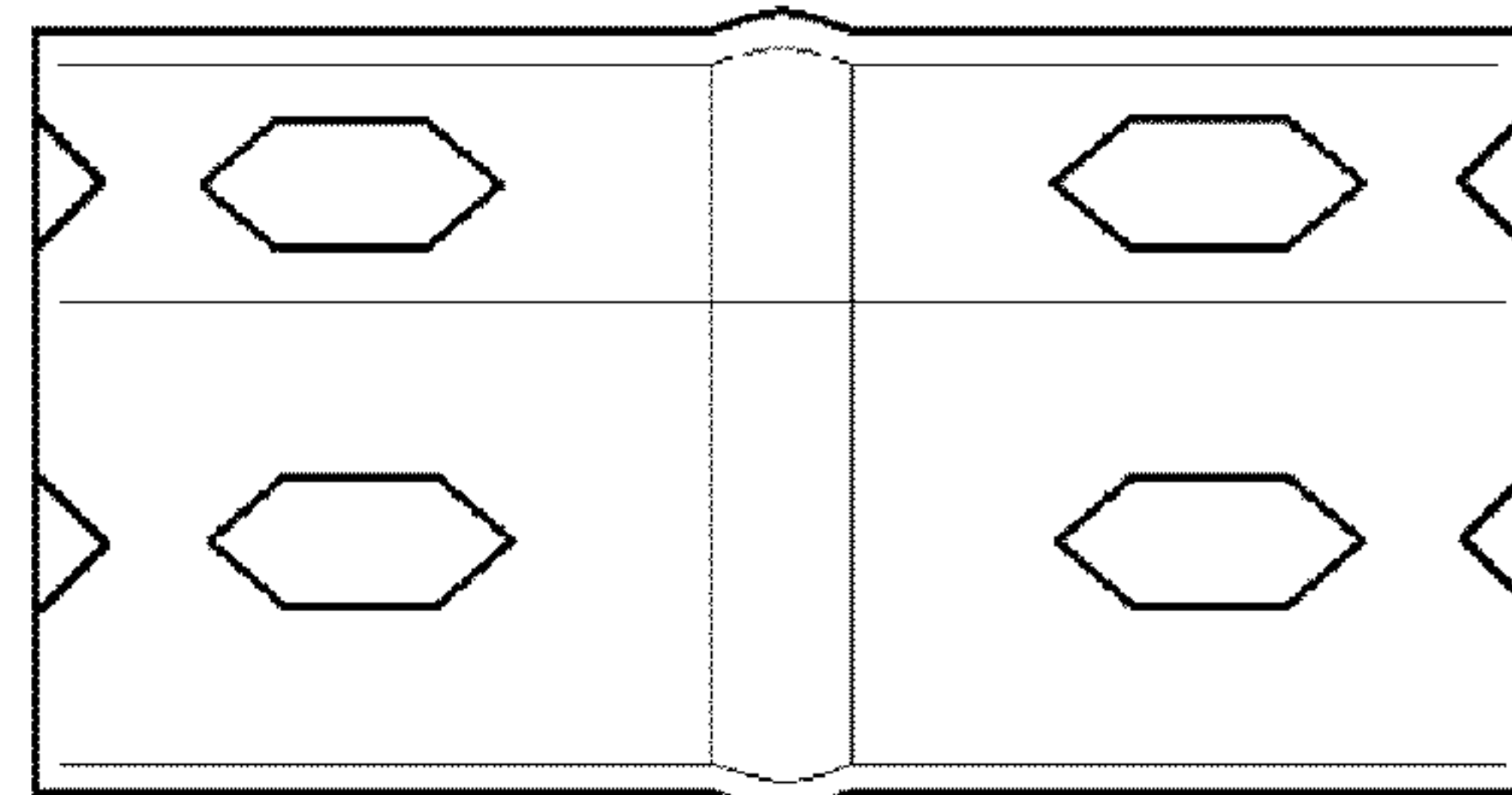


FIG. 2

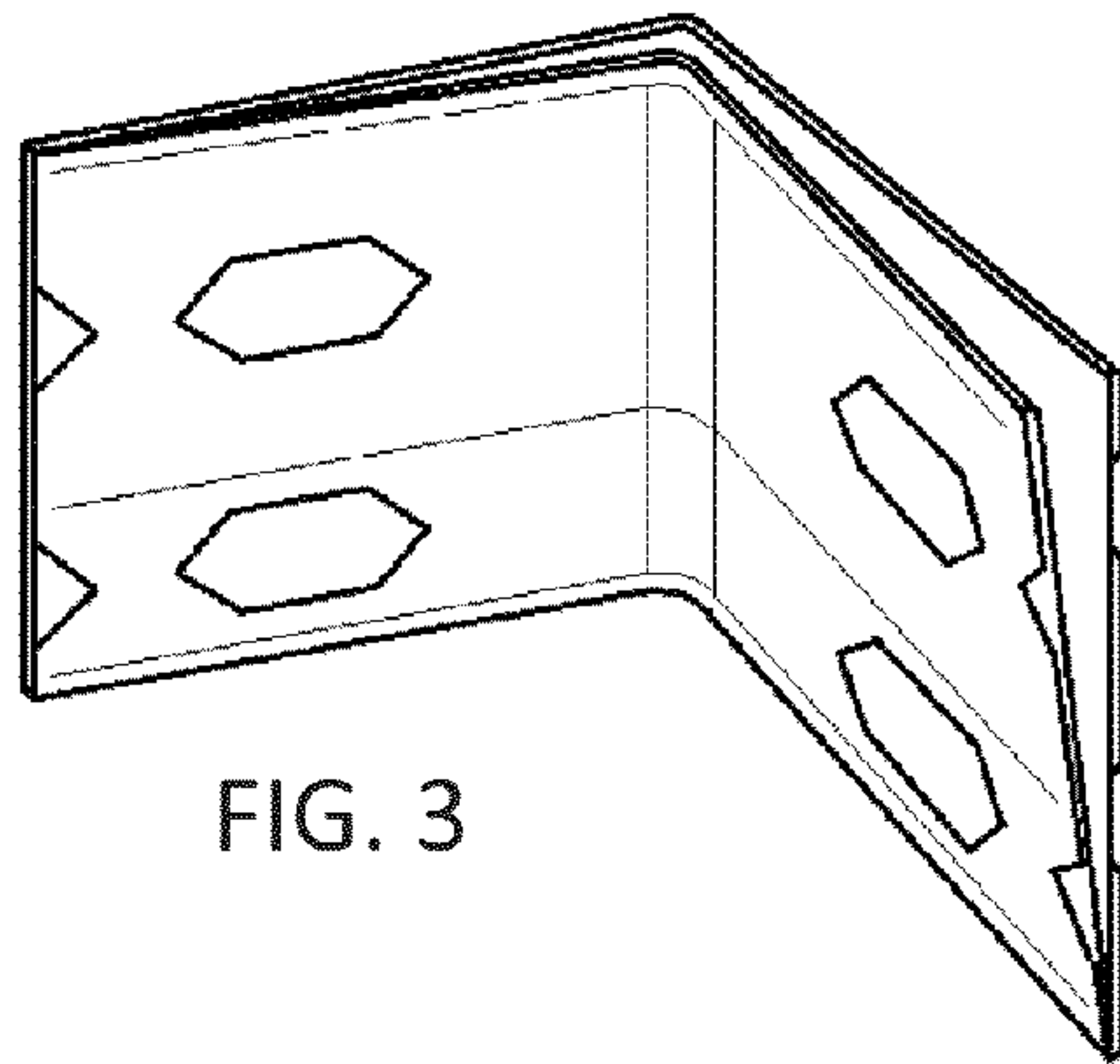


FIG. 3



FIG. 4

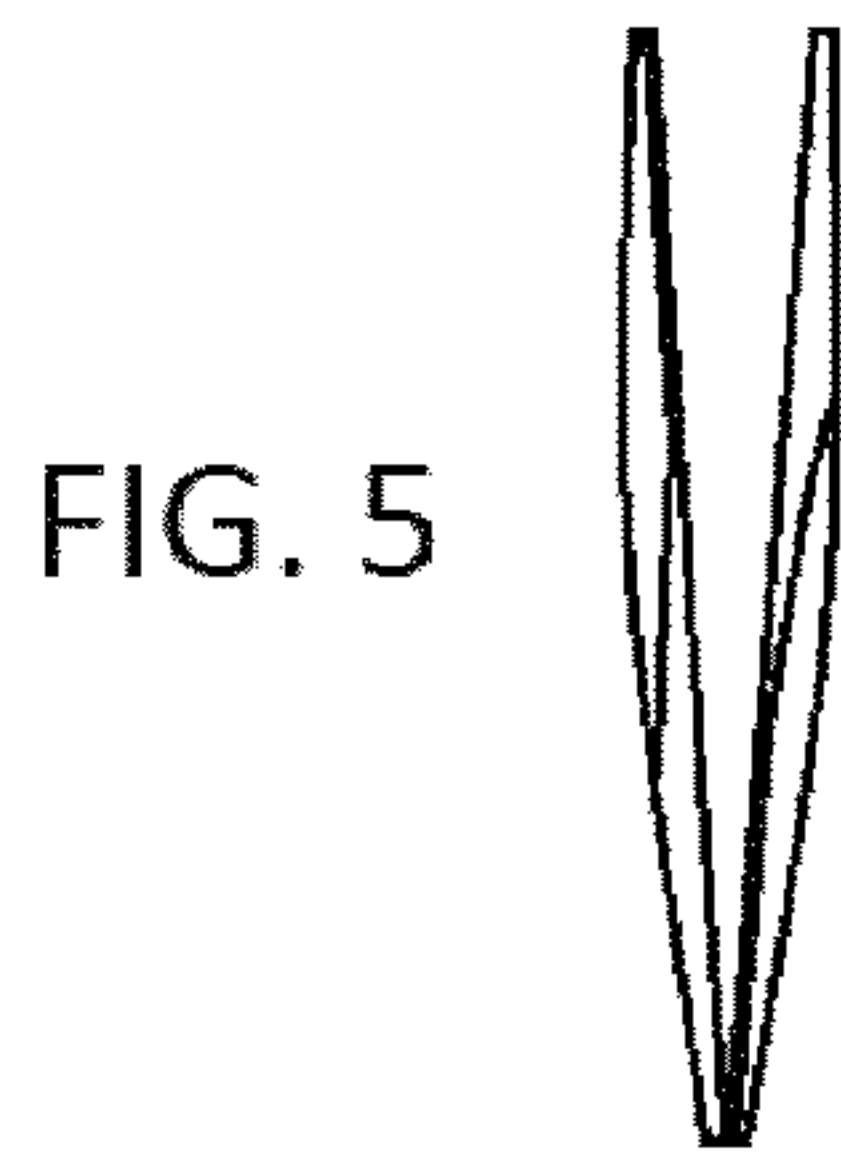


FIG. 5

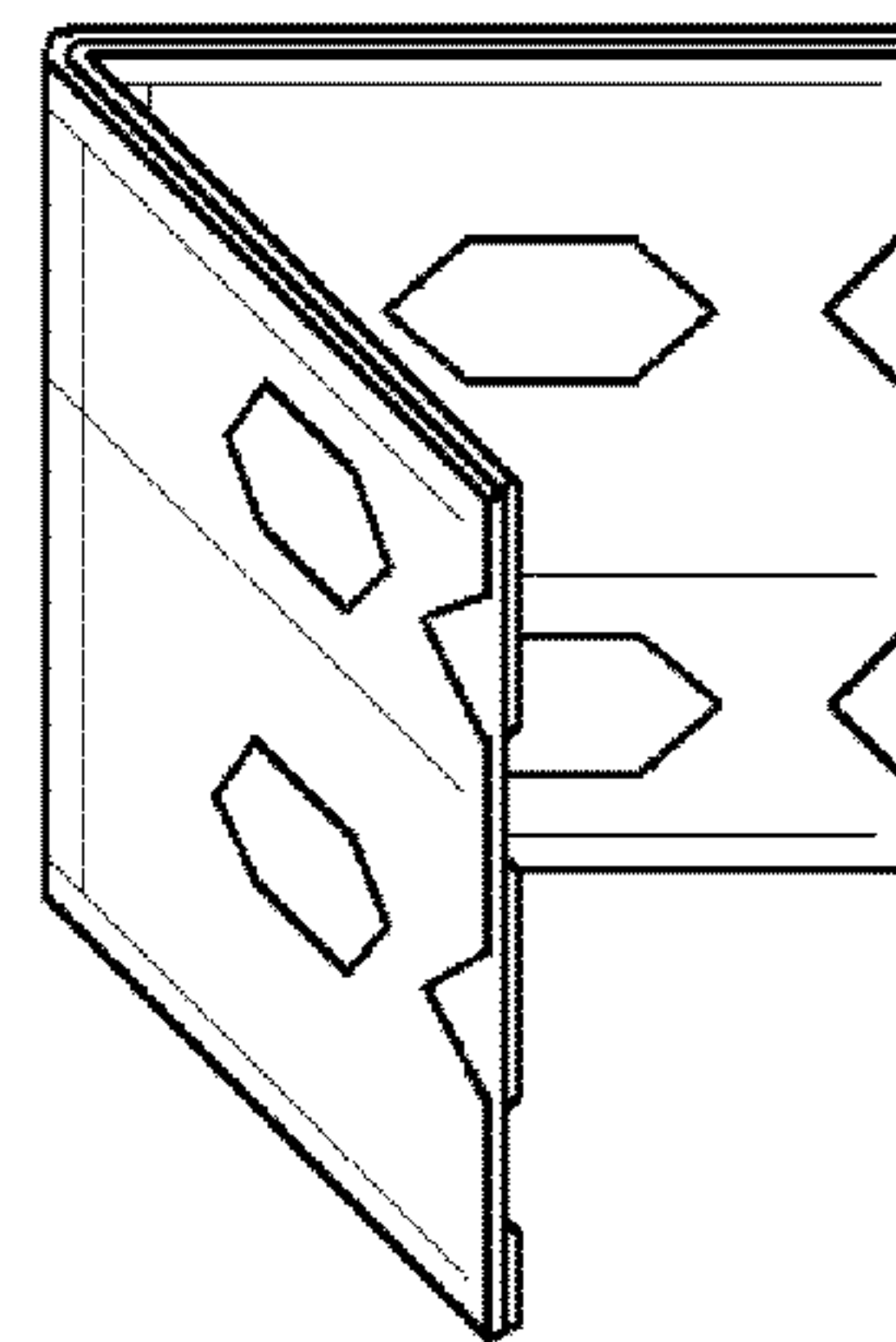


FIG. 6

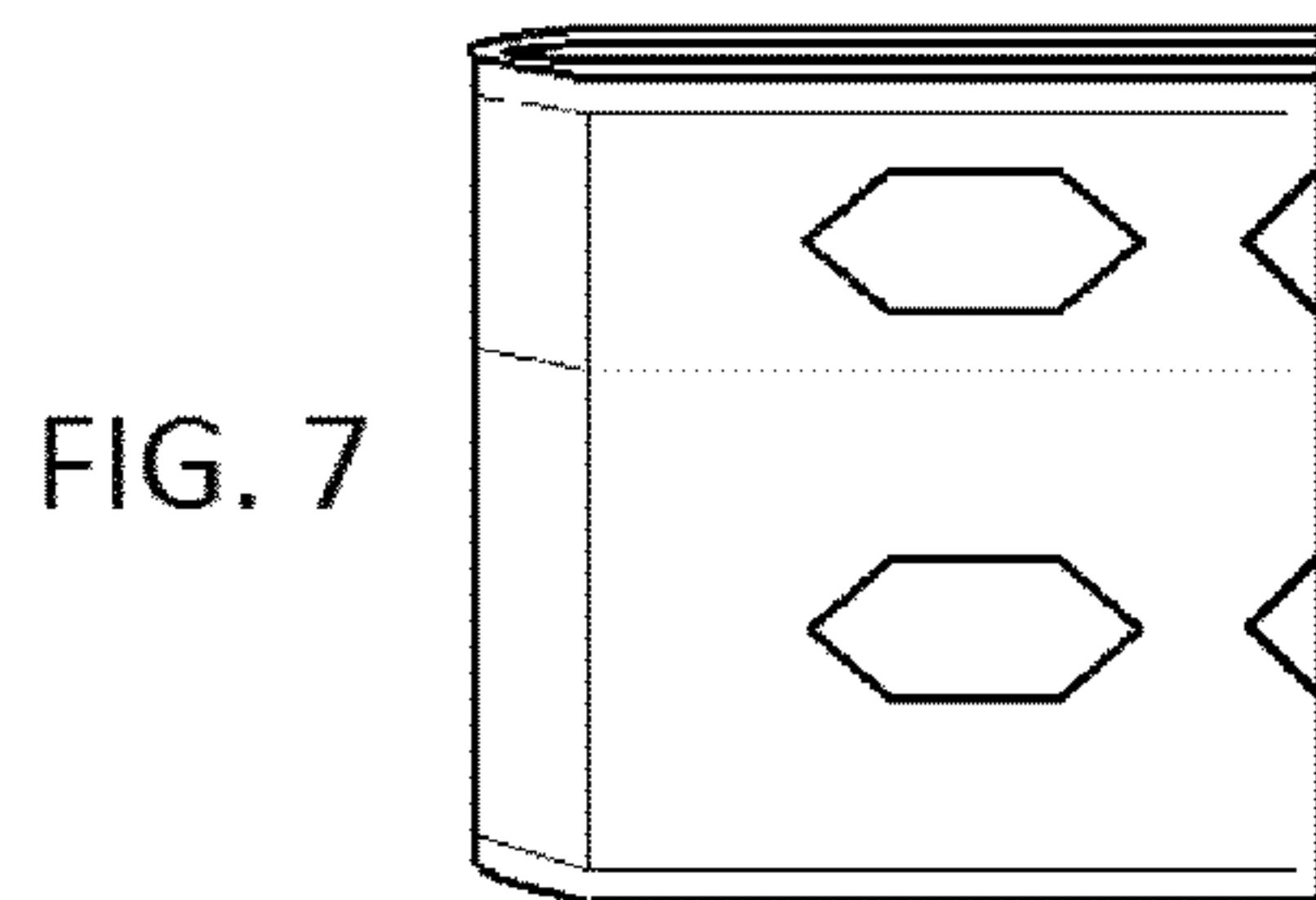


FIG. 7

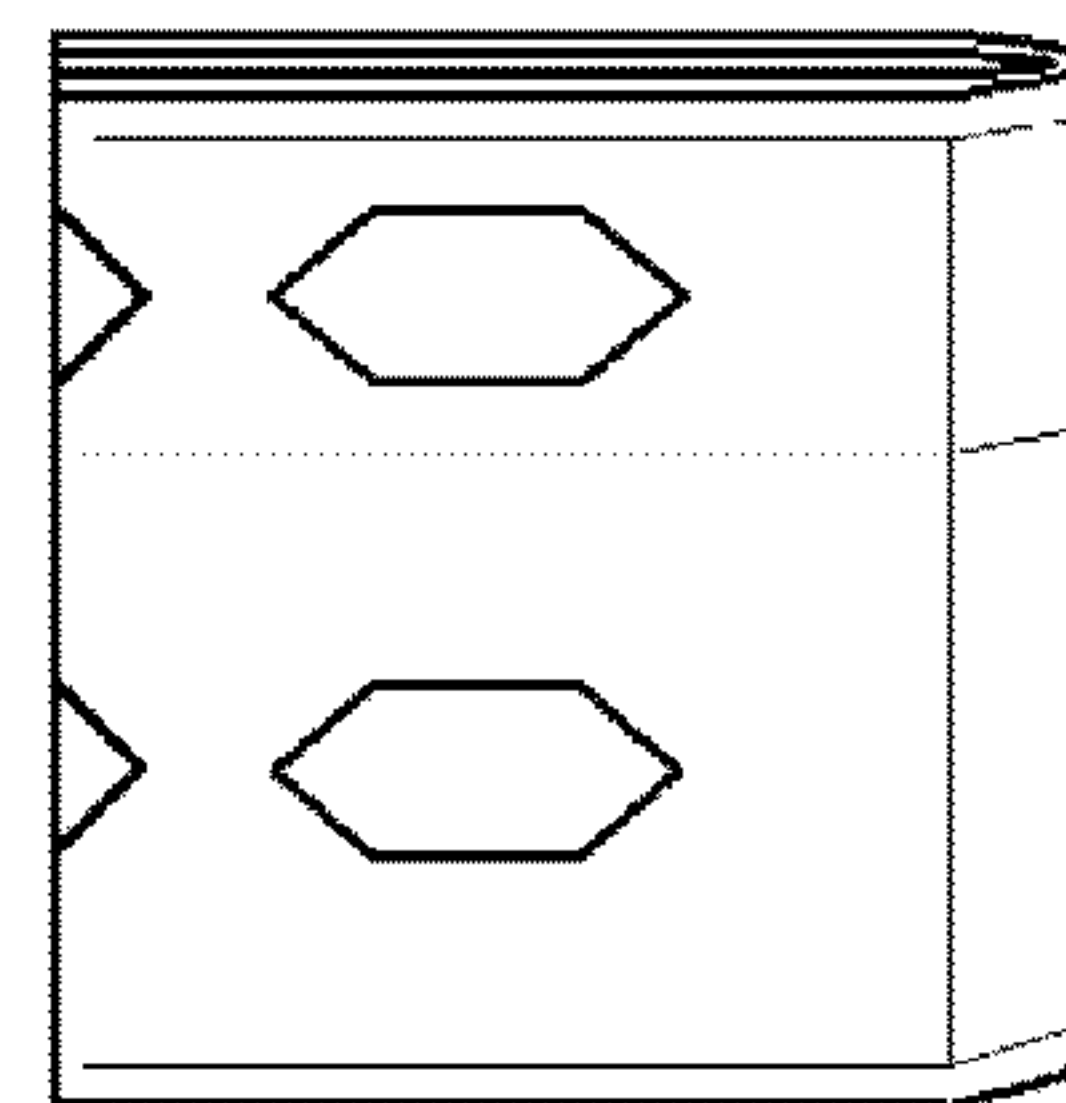


FIG. 8