



US00D728228S

(12) **United States Design Patent**
DeChant

(10) **Patent No.:** **US D728,228 S**

(45) **Date of Patent:** **** May 5, 2015**

(54) **HORIZONTAL BIFOLD CELL PHONE WALLET**

(71) Applicant: **Daniel A. DeChant**, Madison, WI (US)

(72) Inventor: **Daniel A. DeChant**, Madison, WI (US)

(**) Term: **14 Years**

(21) Appl. No.: **29/449,451**

(22) Filed: **Mar. 15, 2013**

(51) **LOC (10) Cl.** **03-01**

(52) **U.S. Cl.**
USPC **D3/247**

(58) **Field of Classification Search**
USPC D3/247, 249–253; 150/130, 132,
150/136–137, 147

See application file for complete search history.

(56) **References Cited**

U.S. PATENT DOCUMENTS

D13,040	S	7/1882	Brueck	
658,394	A *	9/1900	Peters	150/136
833,834	A *	10/1906	Hille	150/136
940,853	A *	11/1909	Cardwell	150/132
1,035,945	A	8/1912	Cardwell	
1,035,946	A *	8/1912	Cardwell	150/137
1,073,768	A *	9/1913	Loveland	150/147
D45,677	S	4/1914	Shick	

(Continued)

FOREIGN PATENT DOCUMENTS

CA	134785	10/2010
DE	197428065	11/1974

(Continued)

OTHER PUBLICATIONS

Co-pending U.S. Appl. No. 13/833,164, filed Mar. 15, 2013,
DeChant, Daniel.

(Continued)

Primary Examiner — Holly Baynham

(74) *Attorney, Agent, or Firm* — Michael Best & Friedrich LLP

(57) **CLAIM**

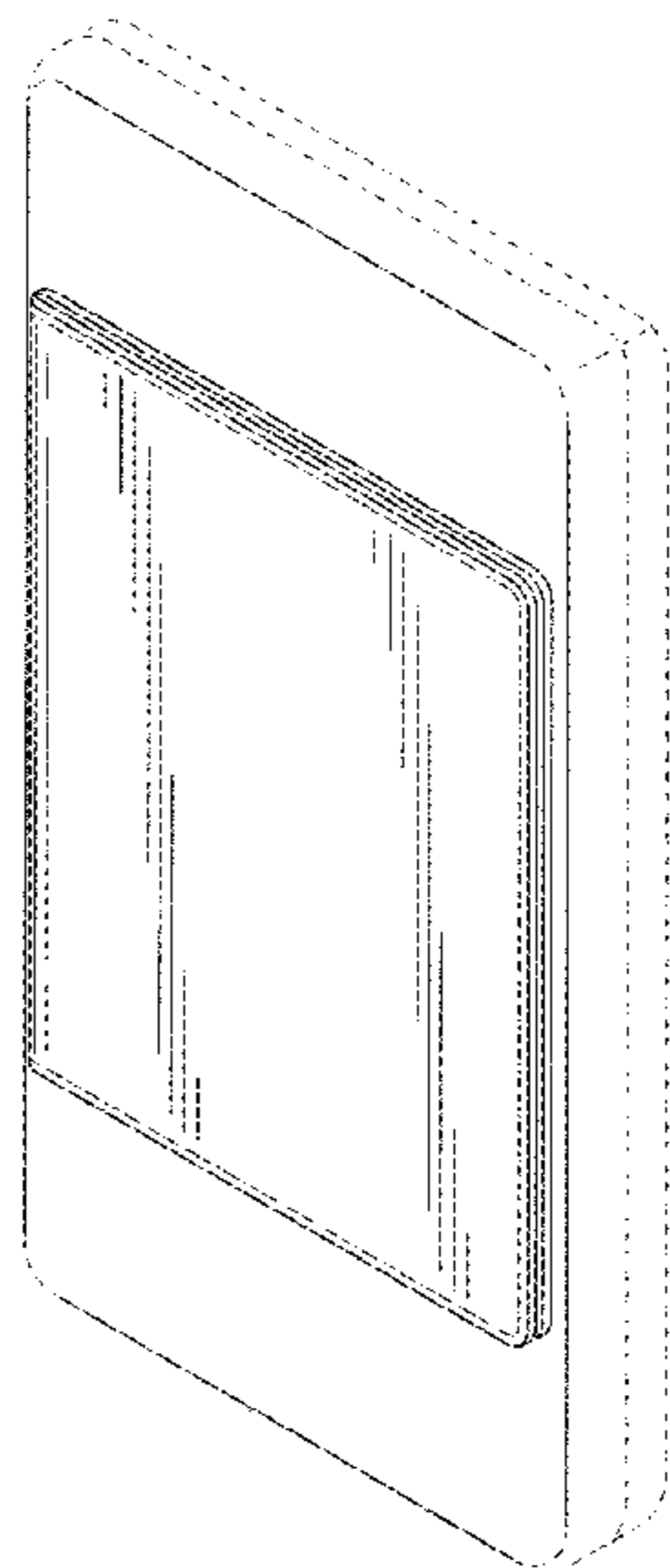
The ornamental design for a horizontal bifold cell phone wallet, as shown and described.

DESCRIPTION

FIG. 1 is a perspective view of a horizontal bifold cell phone wallet with interior slot pockets according to one embodiment showing my new design;
 FIG. 2 is a front view thereof;
 FIG. 3 is a rear view thereof;
 FIG. 4 is a left side view thereof;
 FIG. 5 is a right side view thereof;
 FIG. 6 is a top view thereof;
 FIG. 7 is a bottom view thereof;
 FIG. 8 is a perspective view of the horizontal bifold cell phone wallet with interior slot pockets in an open condition;
 FIG. 9 is a front view thereof;
 FIG. 10 is a rear view thereof;
 FIG. 11 is a left side view thereof;
 FIG. 12 is a right side view thereof;
 FIG. 13 is a top view thereof;
 FIG. 14 is a bottom view thereof;
 FIG. 15 is a perspective view of a horizontal bifold cell phone wallet with an exterior slot pocket and interior slot pockets according to another embodiment showing my new design;
 FIG. 16 is front view thereof;
 FIG. 17 is a perspective view of the horizontal bifold cell phone wallet with an exterior slot pocket and interior slot pockets in an open condition;
 FIG. 18 is a front view thereof;
 FIG. 19 is a rear view thereof;

The broken line portions of the disclosure are for illustrative purposes only and form no part of the claimed design.

1 Claim, 15 Drawing Sheets



(56)

References Cited

U.S. PATENT DOCUMENTS

1,269,247	A *	6/1918	Ablin	150/132
1,582,492	A *	4/1926	Tantlinger	150/113
1,671,297	A	5/1928	L'Enfant	
D101,819	S	11/1936	Miller	
D112,415	S	11/1938	Zumft	
D134,884	S	1/1943	Engelstein	
D178,800	S	9/1956	McKinnon	
D185,056	S	5/1959	Arkin	
3,162,227	A *	12/1964	Bakken	150/136
3,370,777	A	2/1968	Levi	
D255,509	S	6/1980	Nathan et al.	
4,388,734	A	6/1983	Cowden	
D279,423	S	7/1985	Zucker	
4,705,086	A	11/1987	O'Neill	
D308,887	S	6/1990	Wyant	
4,942,913	A	7/1990	Musso	
D311,815	S	11/1990	Balsley	
D314,213	S	1/1991	Bishop	
D334,588	S	4/1993	Okola	
D340,355	S	10/1993	Little	
D342,829	S	1/1994	Mitchell	
D410,774	S	6/1999	Inbert	
D434,899	S	12/2000	Kojoori	
D435,339	S	12/2000	Cleveland	
D435,340	S	12/2000	Kojoori	
6,427,836	B1	8/2002	Bolanos	
D471,704	S	3/2003	Moore	
D510,596	S	10/2005	Ong	
D527,899	S	9/2006	Morehead	
7,204,398	B1	4/2007	Smith, Sr.	
D551,446	S	9/2007	Elnekaveh	
7,496,971	B2	3/2009	Soto	
D594,656	S	6/2009	Wills	
D608,092	S	1/2010	Holzner et al.	
D619,806	S	7/2010	Franks	
D633,714	S	3/2011	Marshall	
8,047,364	B2	11/2011	Longinotti-Buitoni	

8,833,379	B1	9/2014	Kaplan
2005/0126667	A1	6/2005	Bell
2007/0057004	A1	3/2007	Butler et al.
2007/0232372	A1	10/2007	Plaster
2007/0262112	A1	11/2007	Butler et al.
2008/0006355	A1	1/2008	Gomez Micone
2008/0121322	A1	5/2008	Thomson
2009/0050686	A1	2/2009	Kon et al.
2009/0194571	A1	8/2009	Evans
2011/0030860	A1	2/2011	Allen et al.
2011/0057034	A1	3/2011	Maxwell
2011/0277892	A1	11/2011	Black
2012/0043234	A1	2/2012	Westrup
2012/0050968	A1	3/2012	Child et al.
2012/0168483	A1	7/2012	Jambunathan et al.
2013/0140203	A1	6/2013	Chiang

FOREIGN PATENT DOCUMENTS

DE	199107205	7/1991
GB	2145622	4/1985
GB	2070518	11/1997
GB	4019846	5/2011
KR	300268261	12/2000
WO	D073447	3/2010
WO	2012087152	6/2012

OTHER PUBLICATIONS

Co-pending U.S. Appl. No. 29/449,456, filed Mar. 15, 2013, DeChant, Daniel.
 Co-pending U.S. Appl. No. 29/449,461, filed Mar. 15, 2013, DeChant.
 Co-pending U.S. Appl. No. 29/449,465, filed Mar. 15, 2013, DeChant.
 Co-pending U.S. Appl. No. 29/449,467, filed Mar. 15, 2013, DeChant.
 Co-pending U.S. Appl. No. 29/449,474, filed Mar. 15, 2013, DeChant.

* cited by examiner

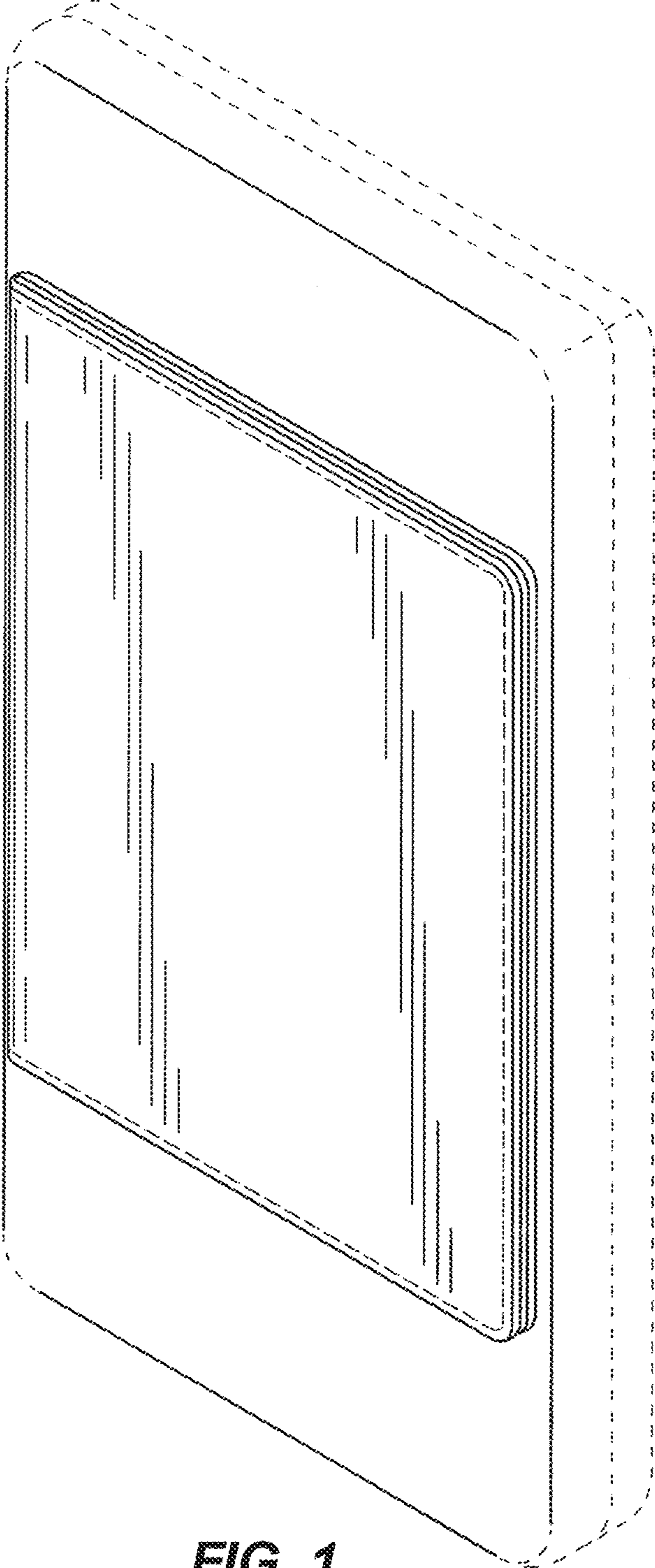


FIG. 1

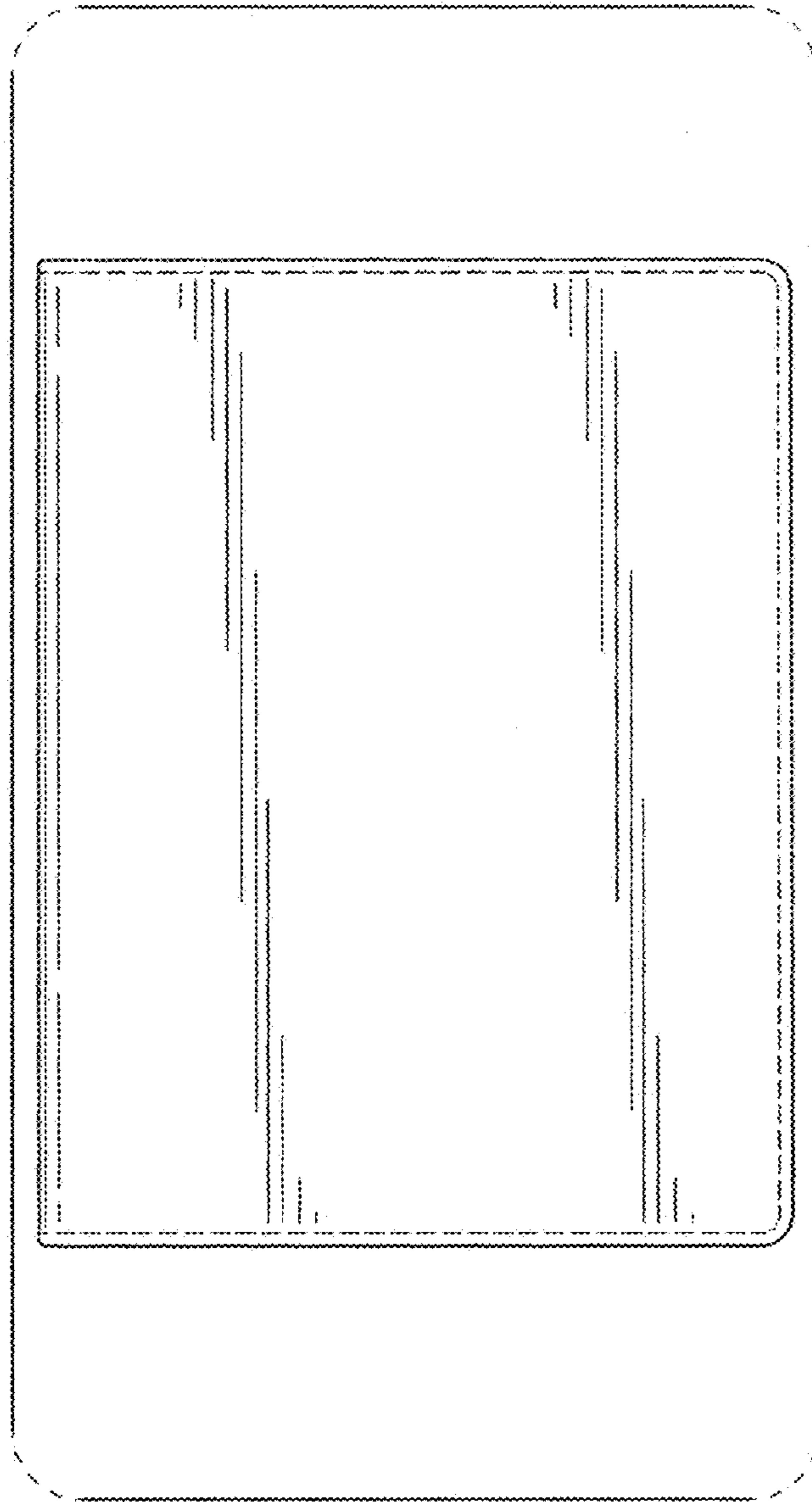


FIG. 2

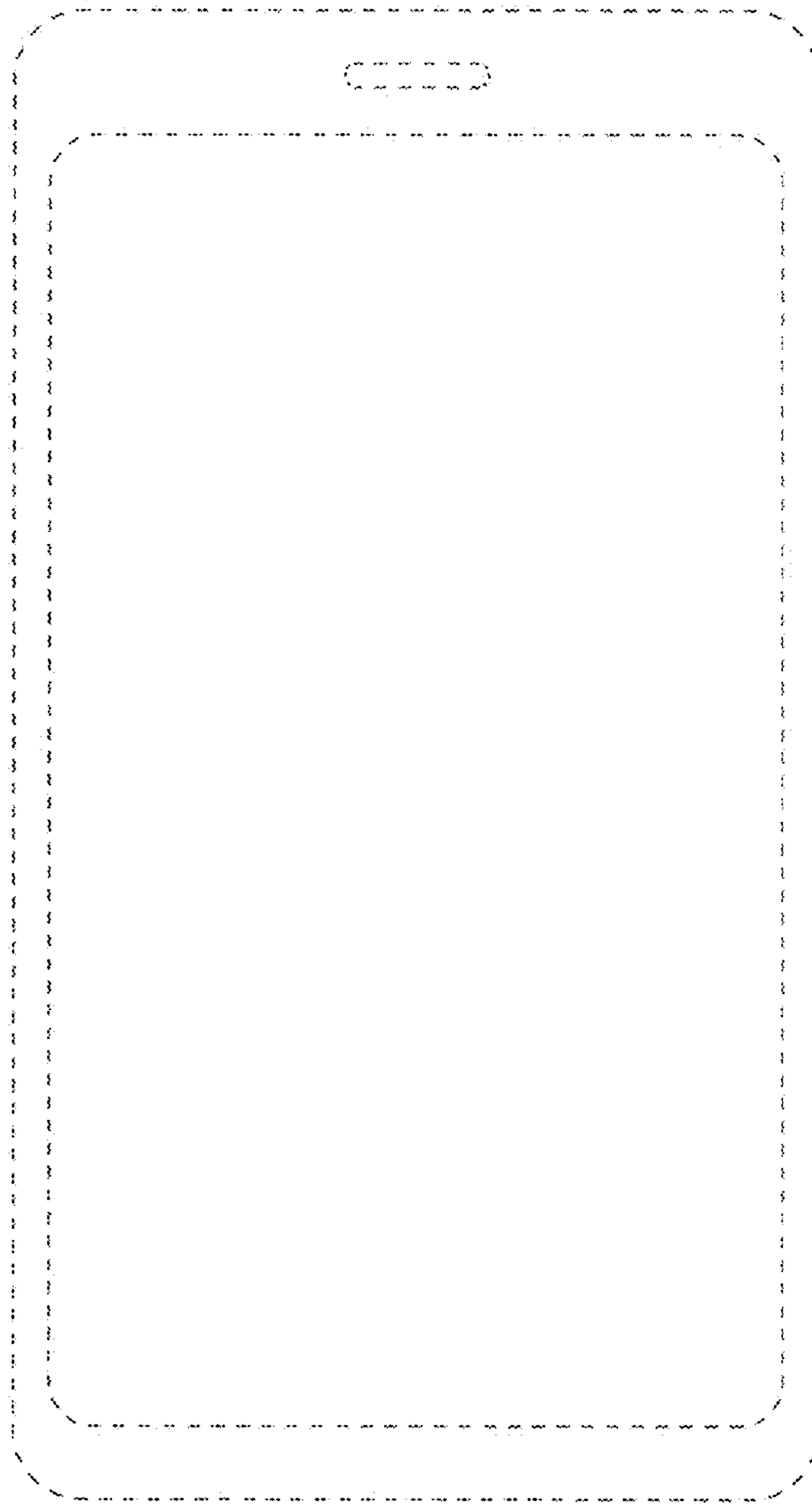


FIG. 3

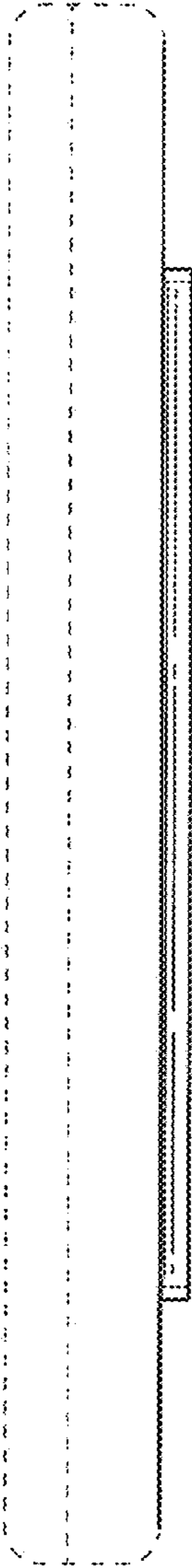


FIG. 4

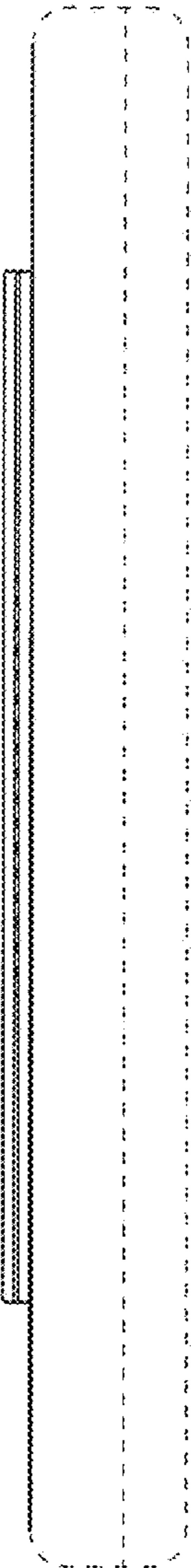


FIG. 5

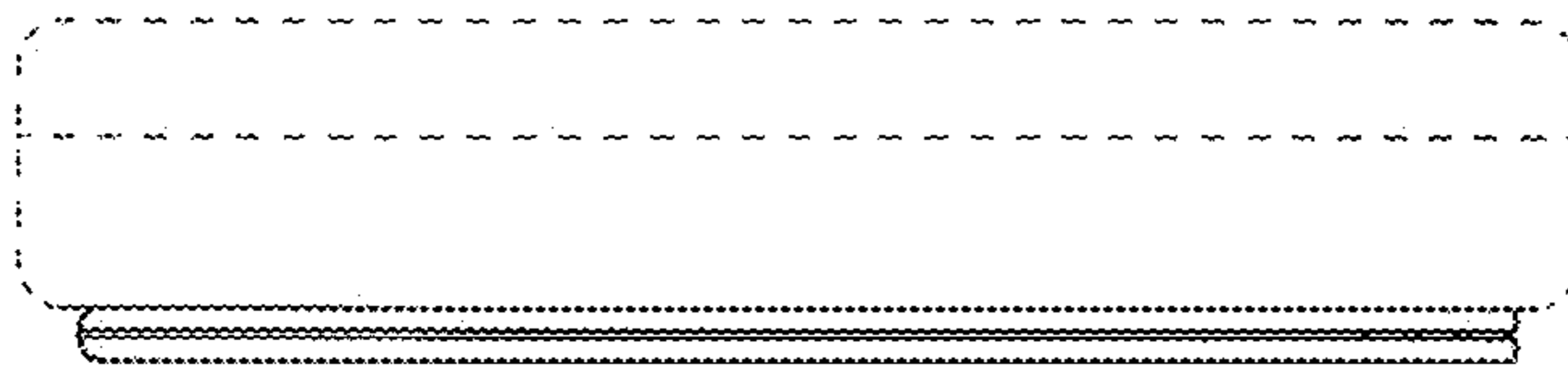


FIG. 6

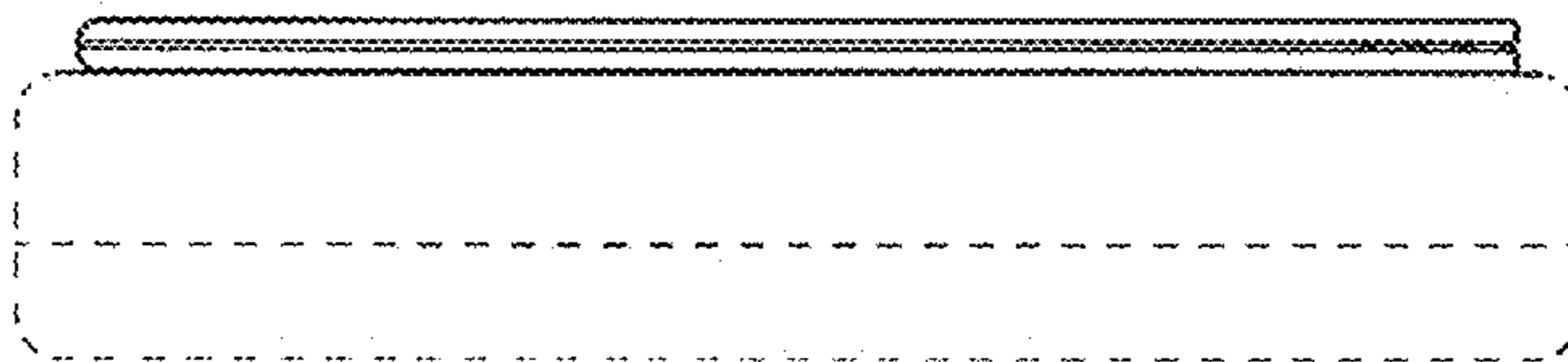


FIG. 7

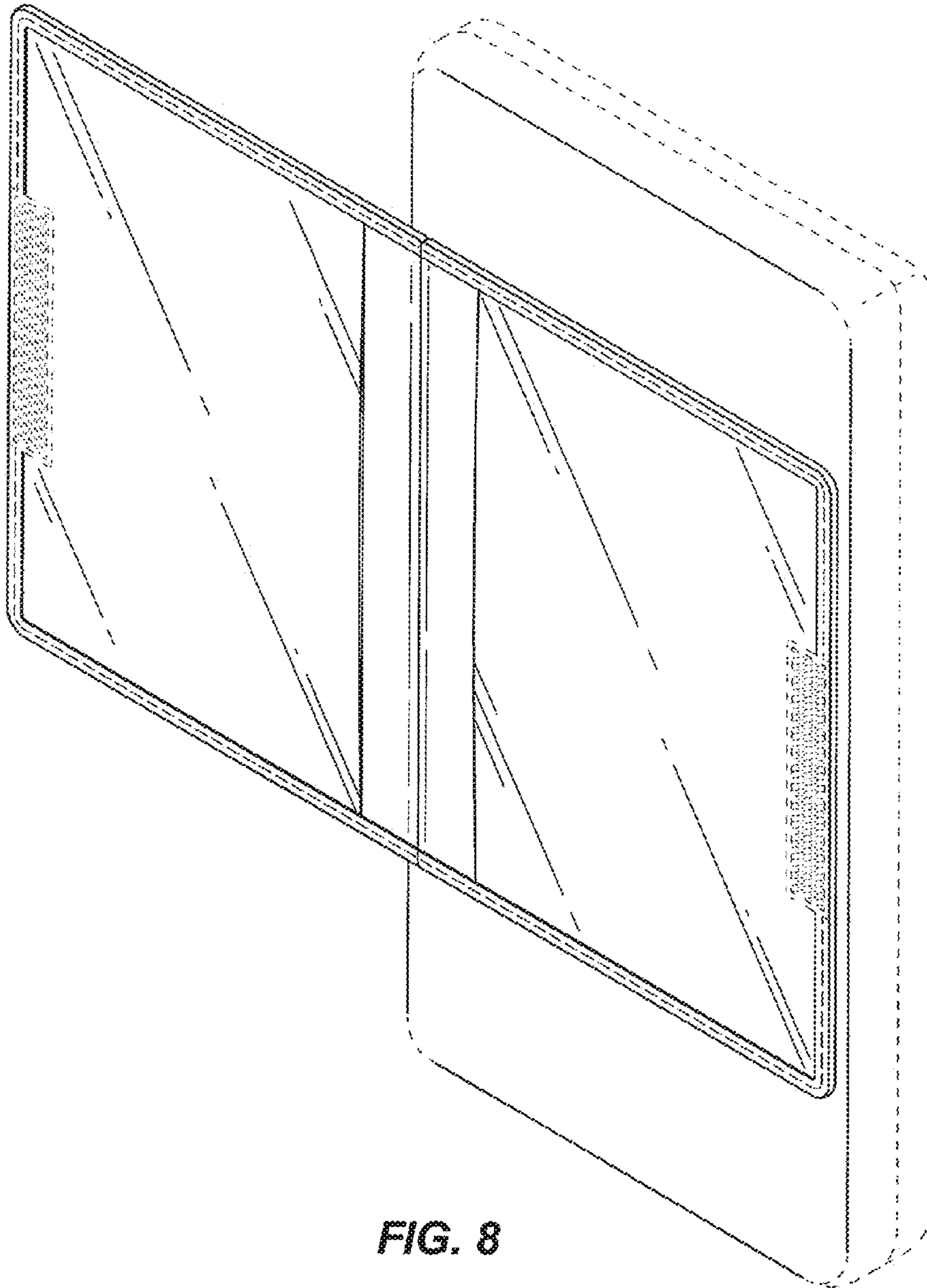


FIG. 8

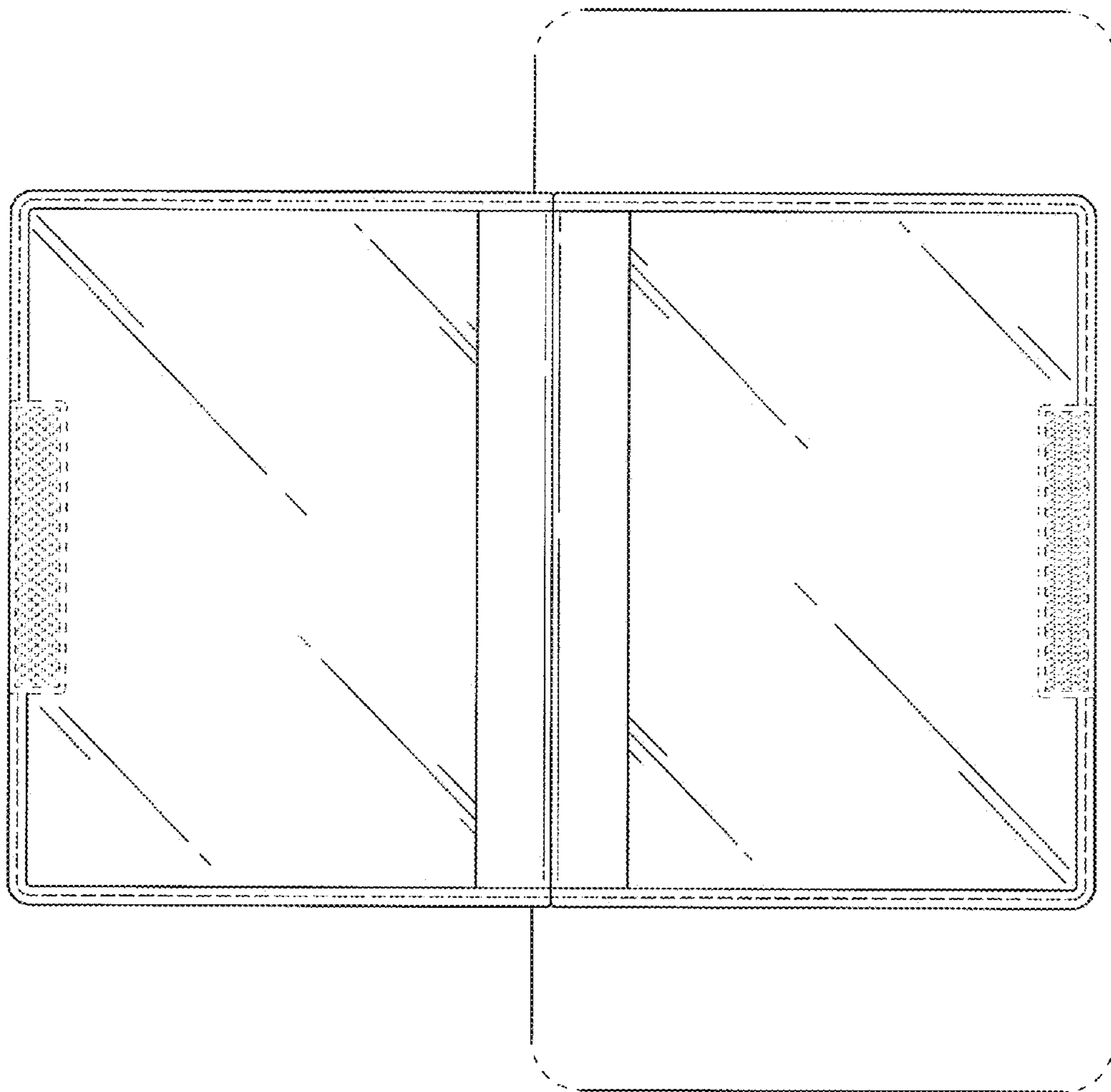


FIG. 9

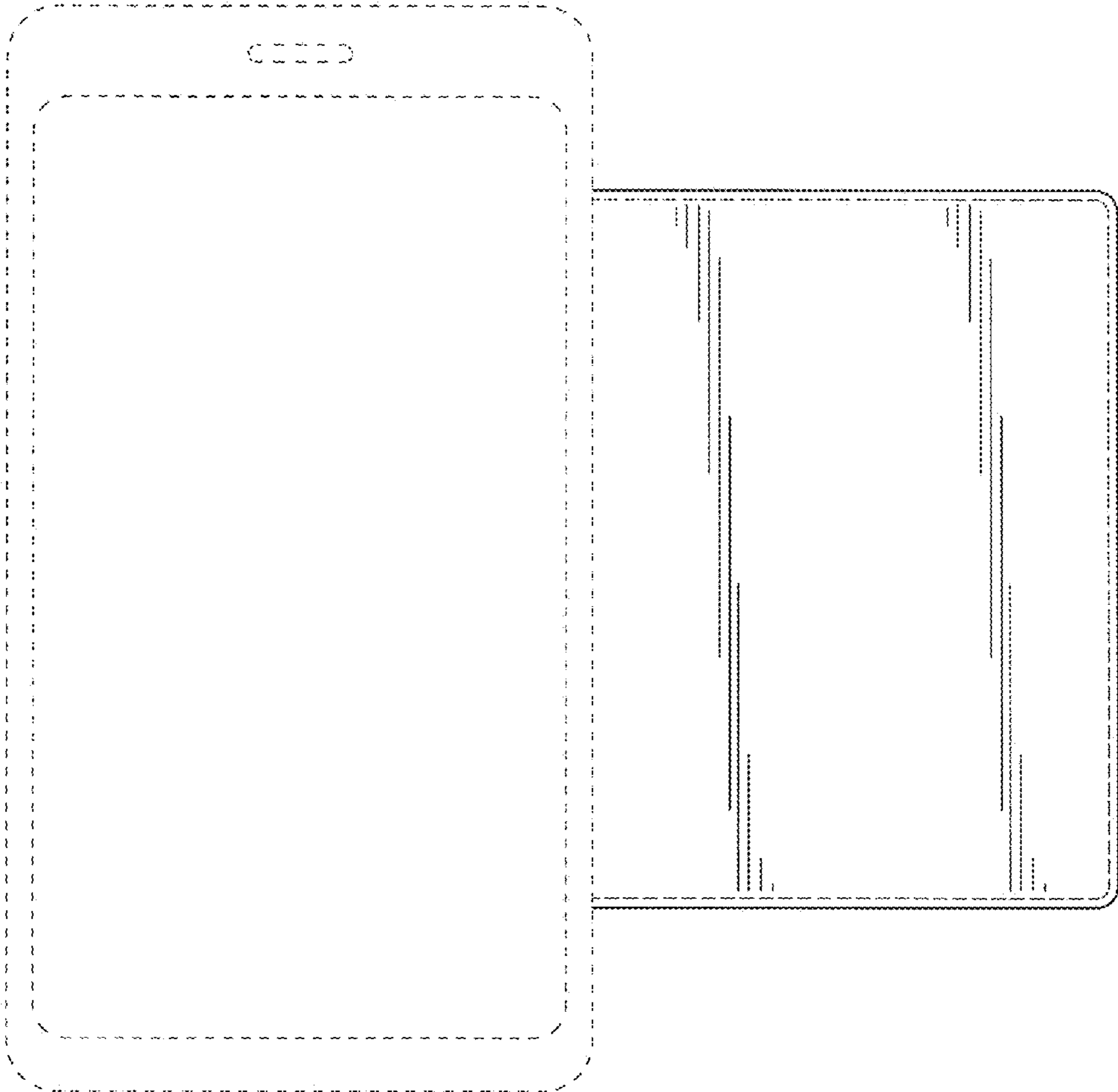


FIG. 10

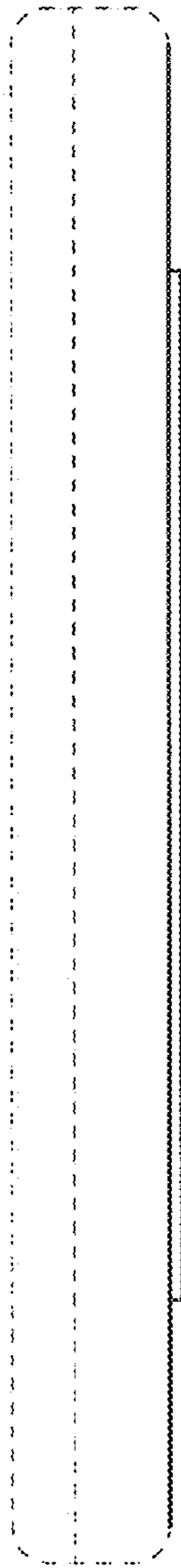


FIG. 11

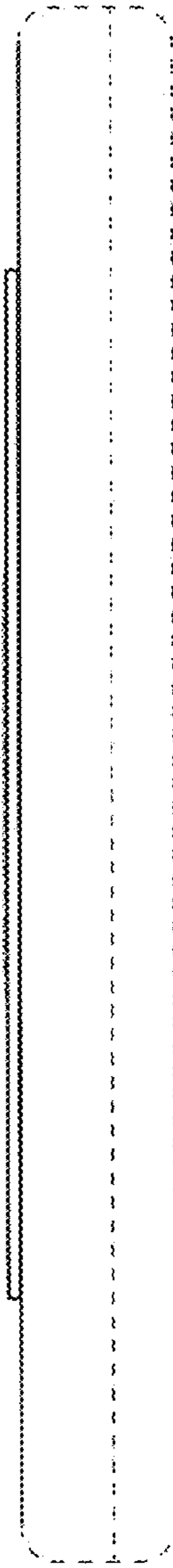


FIG. 12

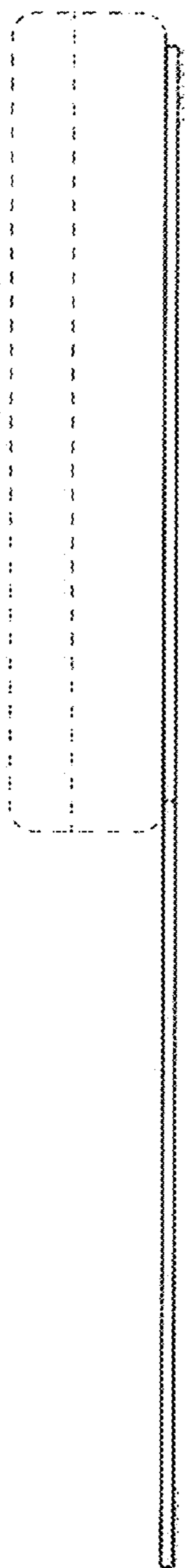


FIG. 13

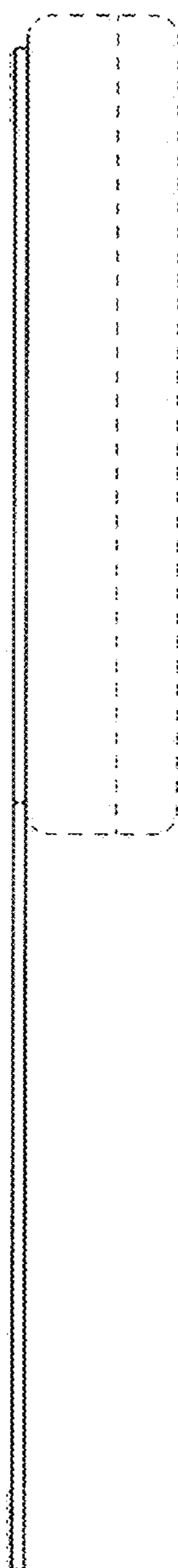


FIG. 14

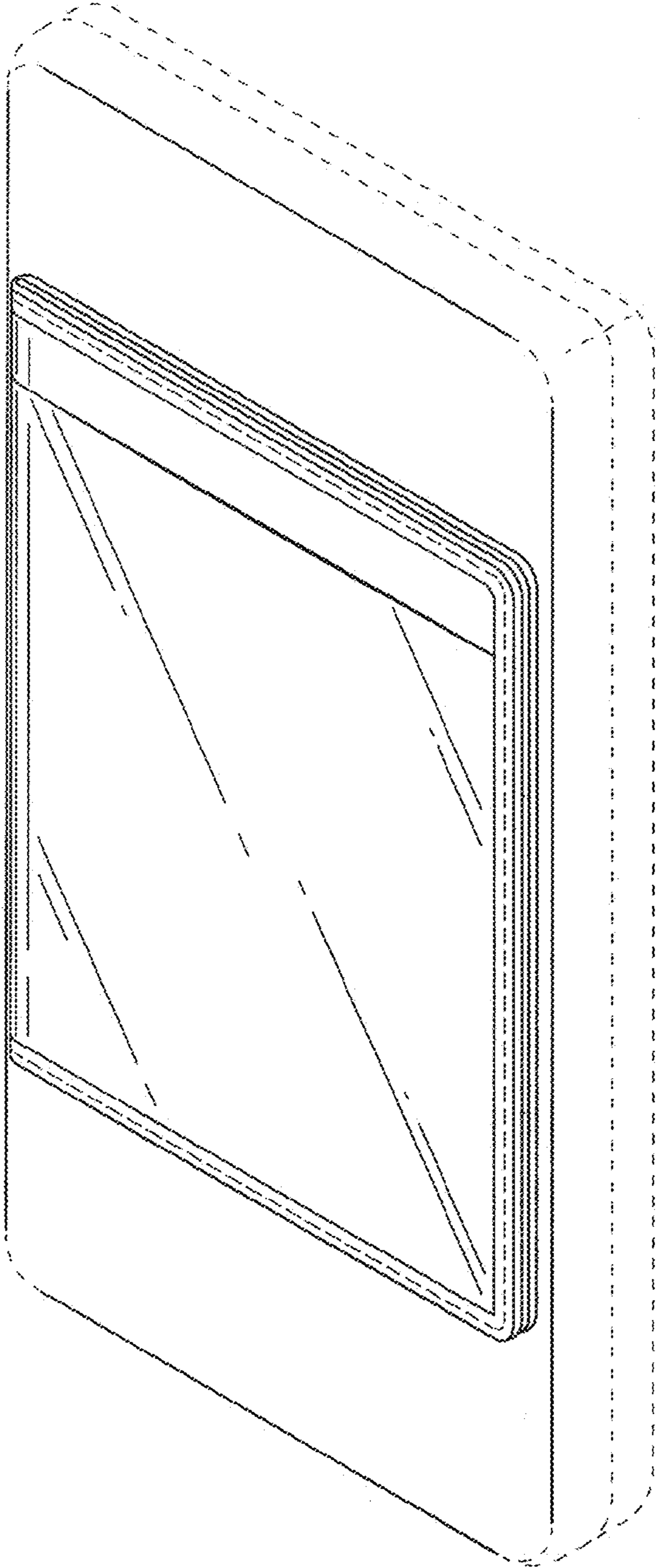


FIG. 15

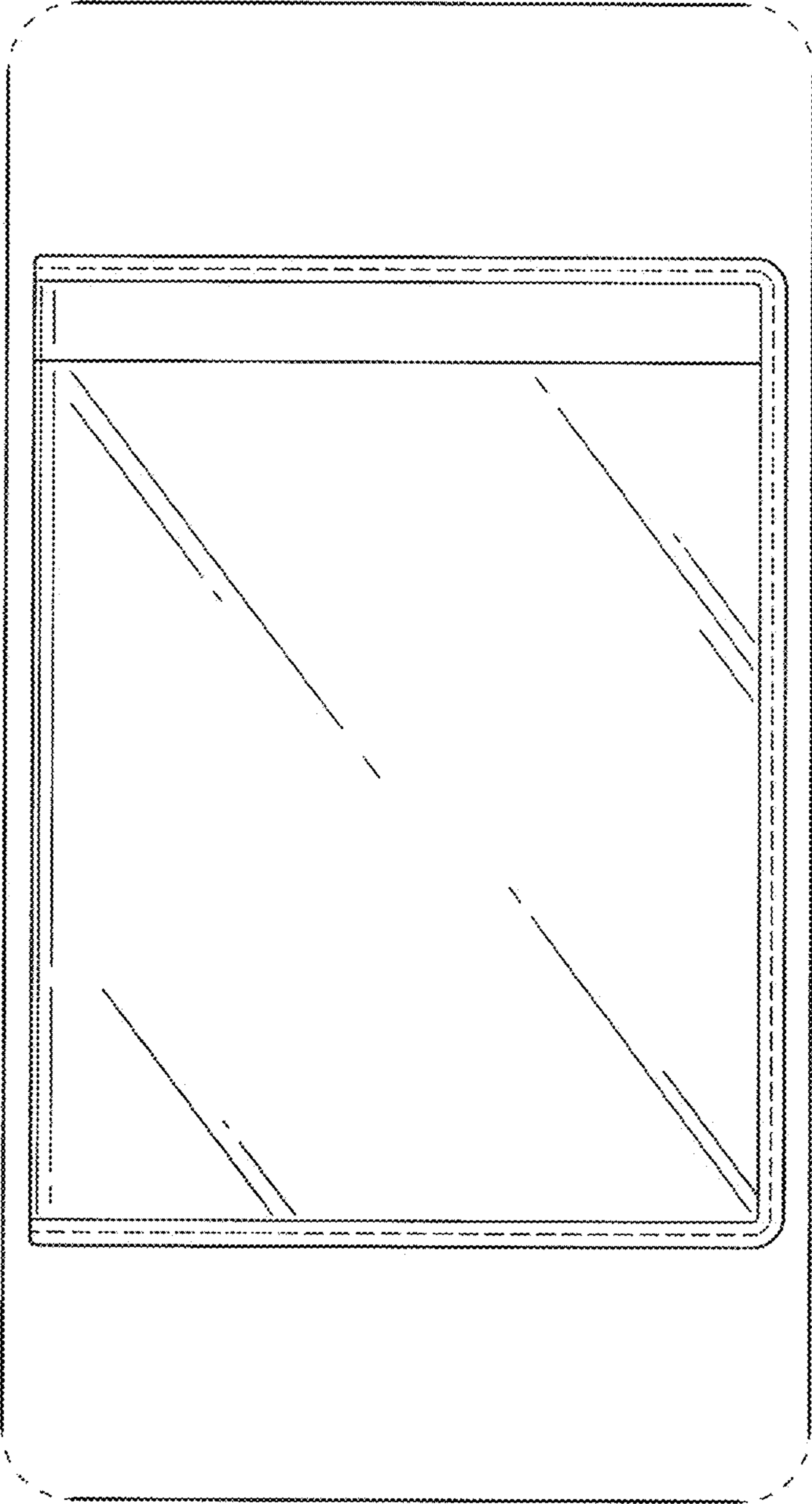


FIG. 16

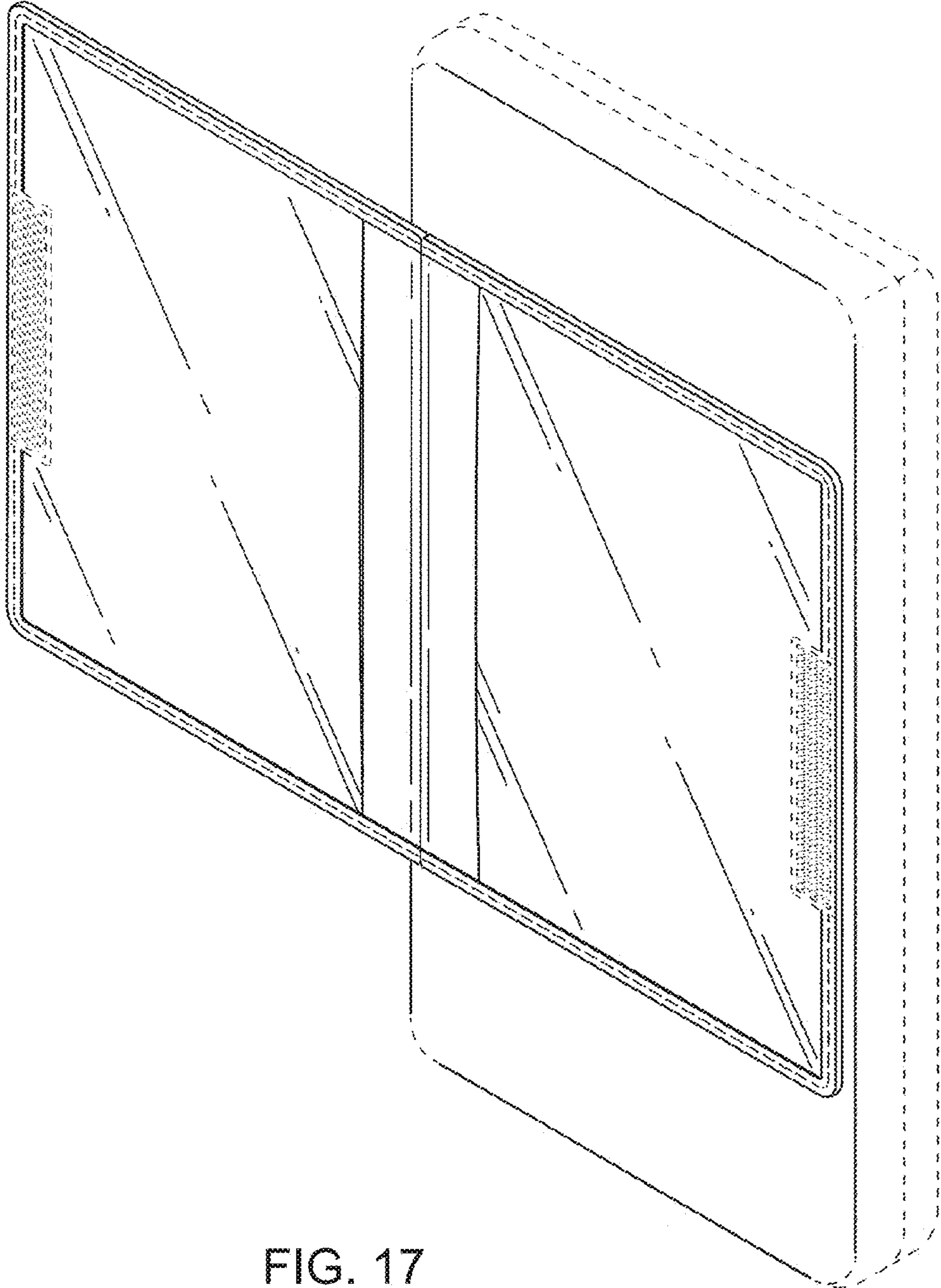


FIG. 17

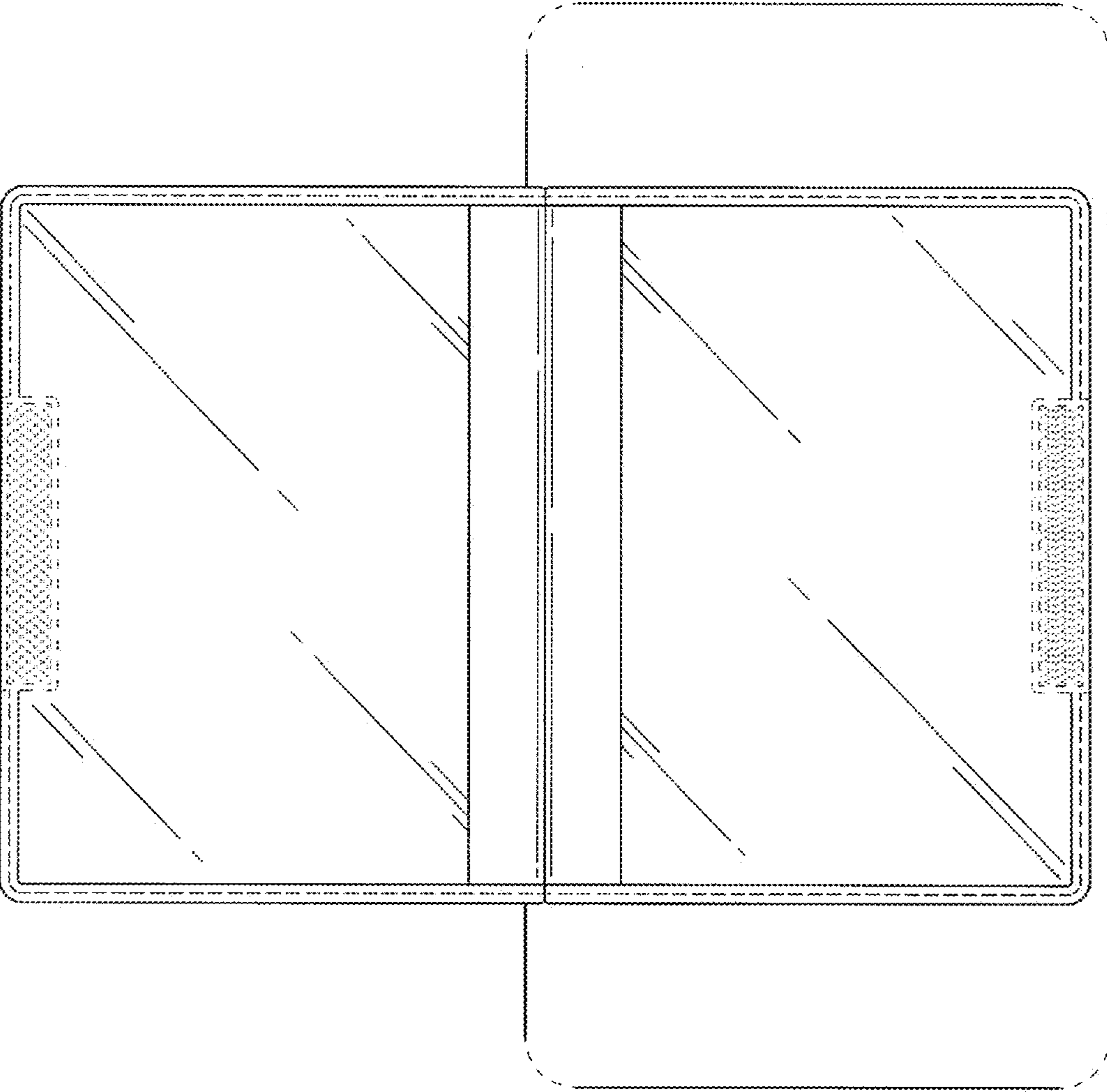


FIG. 18

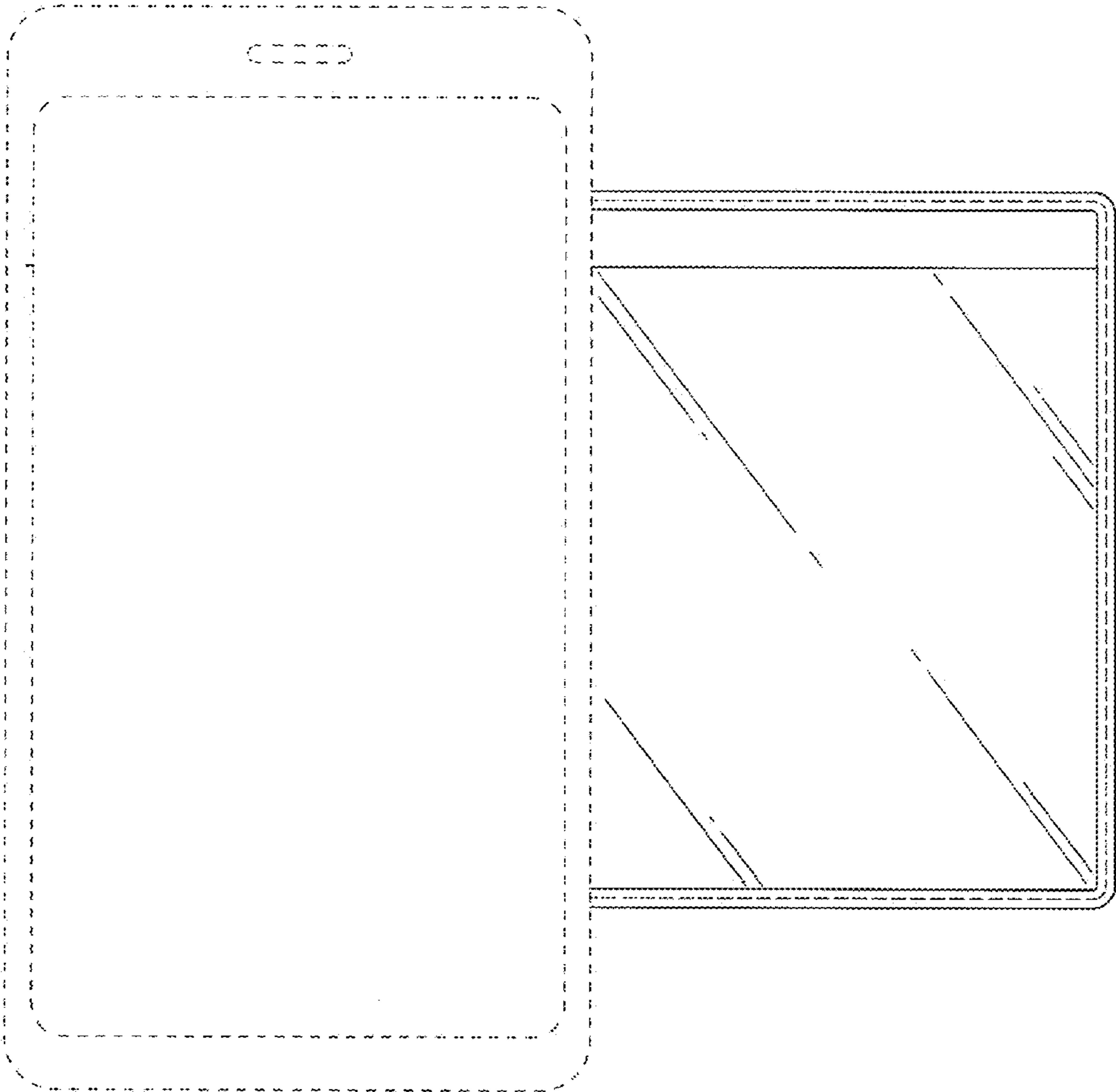


FIG. 19