



US00D728227S

(12) **United States Design Patent**
Hawkes

(10) **Patent No.:** **US D728,227 S**

(45) **Date of Patent:** **** May 5, 2015**

(54) **HANDBAG**

(71) Applicant: **Louis Vuitton Malletier (Societe Anonyme)**, Paris (FR)

(72) Inventor: **Erin Hawkes**, Paris (FR)

(73) Assignee: **Louis Vuitton Malletier** (FR)

(**) Term: **14 Years**

(21) Appl. No.: **29/479,343**

(22) Filed: **Jan. 15, 2014**

(51) **LOC (10) Cl.** **03-01**

(52) **U.S. Cl.**
USPC **D3/245**

(58) **Field of Classification Search**
CPC A45C 1/024; A45C 3/06
USPC D3/232-233, 240-243, 245-246;
150/100, 103-110, 113-114, 117-119
See application file for complete search history.

(56) **References Cited**

U.S. PATENT DOCUMENTS

D31,053 S *	6/1899	Lehman	D3/241
D129,753 S *	9/1941	Tashman	D3/241
D420,510 S *	2/2000	Rotan	D3/303
D497,716 S *	11/2004	de Baschmakoff	D3/241
D559,542 S *	1/2008	Nair	D3/246
D564,228 S *	3/2008	Morelli	D3/246
D652,215 S *	1/2012	Baas et al.	D3/303
D656,317 S *	3/2012	Baas et al.	D3/303

D658,879 S *	5/2012	Sgambellone	D3/303
D668,041 S *	10/2012	Kriemler	D3/232
D715,543 S *	10/2014	Dumas	D3/245

* cited by examiner

Primary Examiner — Holly Baynham

(74) *Attorney, Agent, or Firm* — Finnegan, Henderson, Farabow, Garrett & Dunner, LLP

(57) **CLAIM**

The ornamental design for a handbag, as shown and described.

DESCRIPTION

FIG. 1 is a front perspective view of a handbag showing my new design, the rear perspective view being a mirror image thereof;

FIG. 2 is a front elevation view thereof, the rear view being a mirror image thereof;

FIG. 3 is a right side view thereof, the left side view being a mirror image thereof;

FIG. 4 is a top plan view thereof;

FIG. 5 is a bottom view thereof;

FIG. 6 is a front perspective view in an alternate configuration, where the side flaps of the handbag are extended, the rear perspective view being a mirror image thereof;

FIG. 7 is a front elevation view thereof; the rear view being a mirror image thereof; and,

FIG. 8 is a right side view thereof, the left side view being a mirror image thereof.

The broken lines represent stitching and are part of the claimed design.

1 Claim, 7 Drawing Sheets



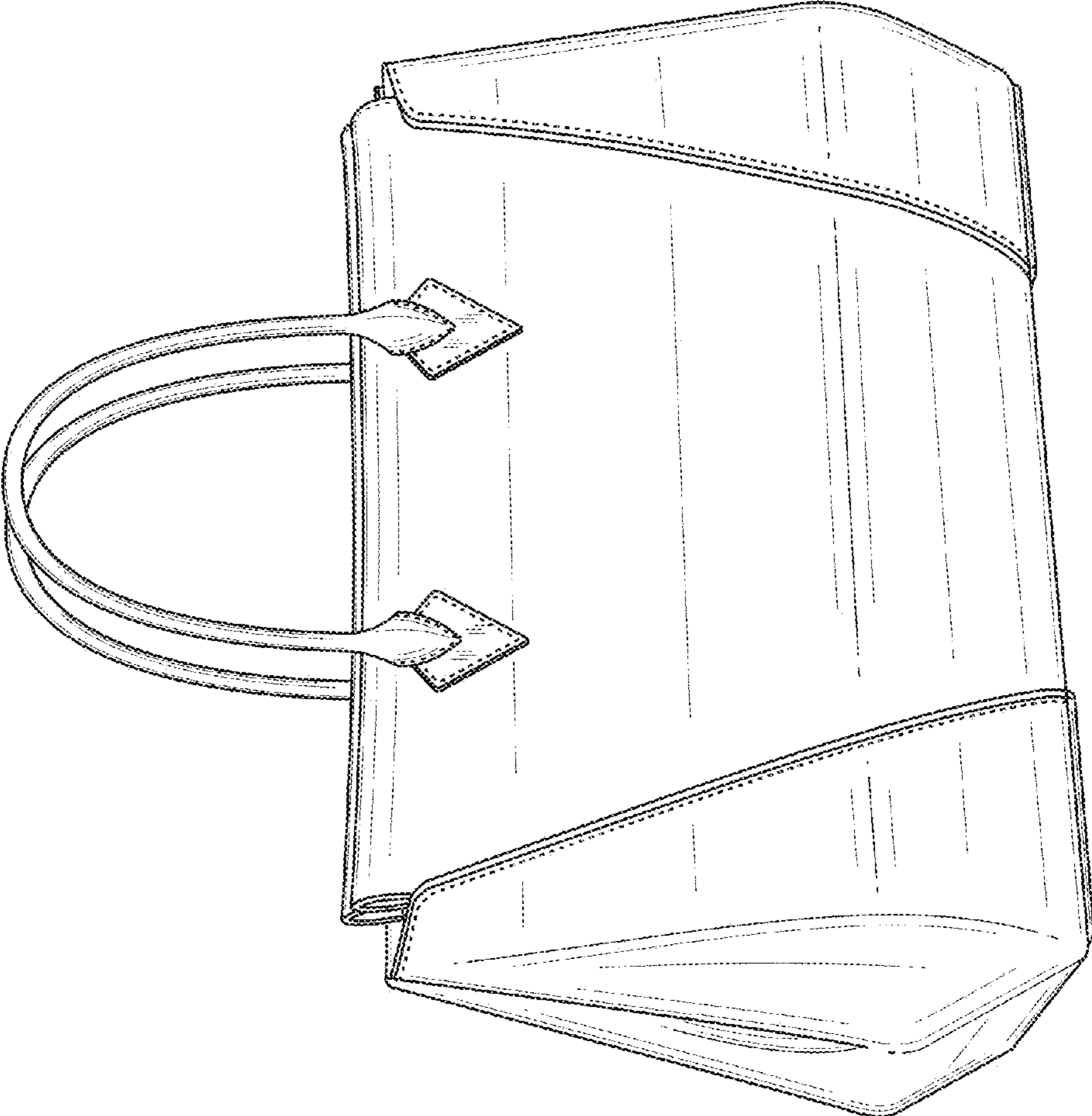


FIG. 1

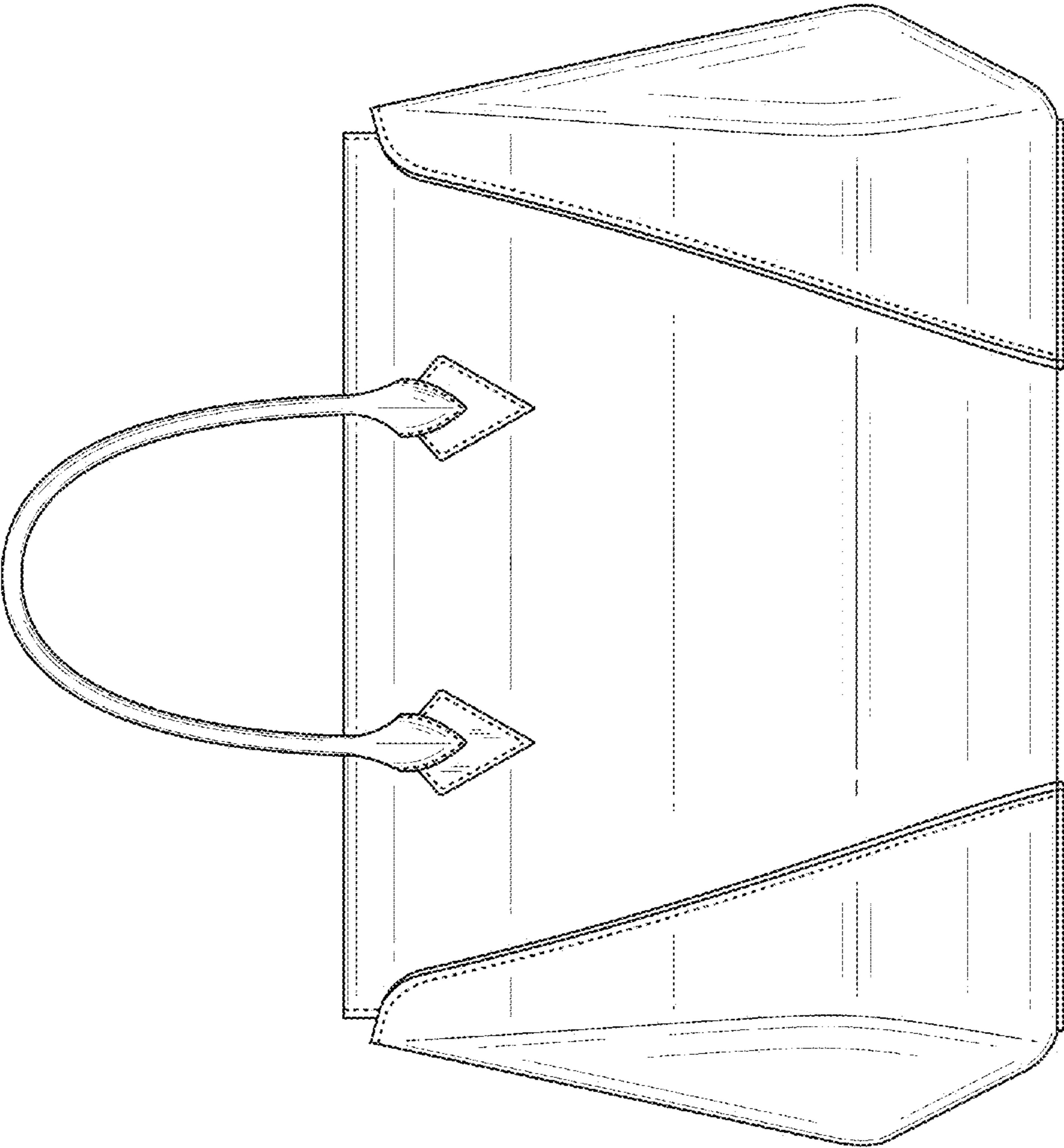


FIG. 2

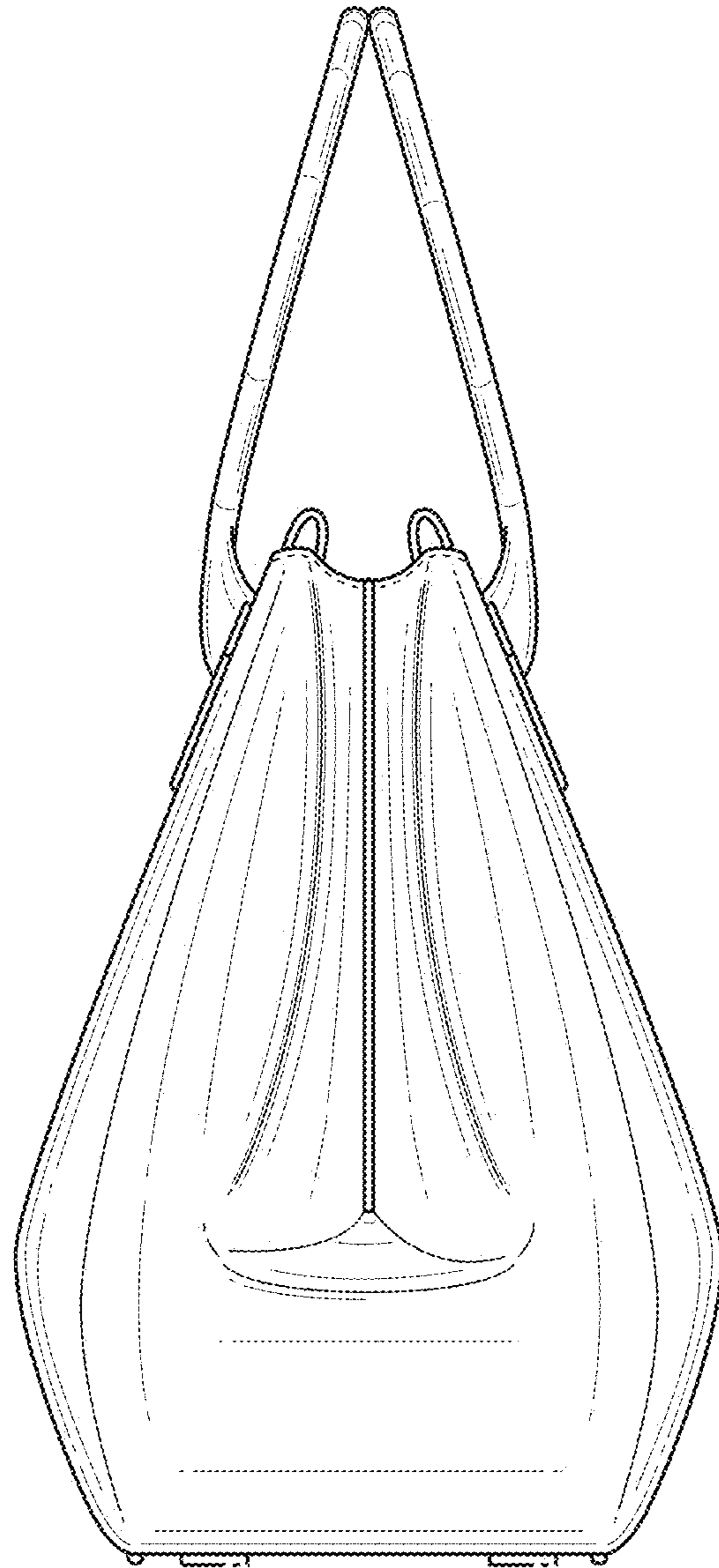


FIG. 3

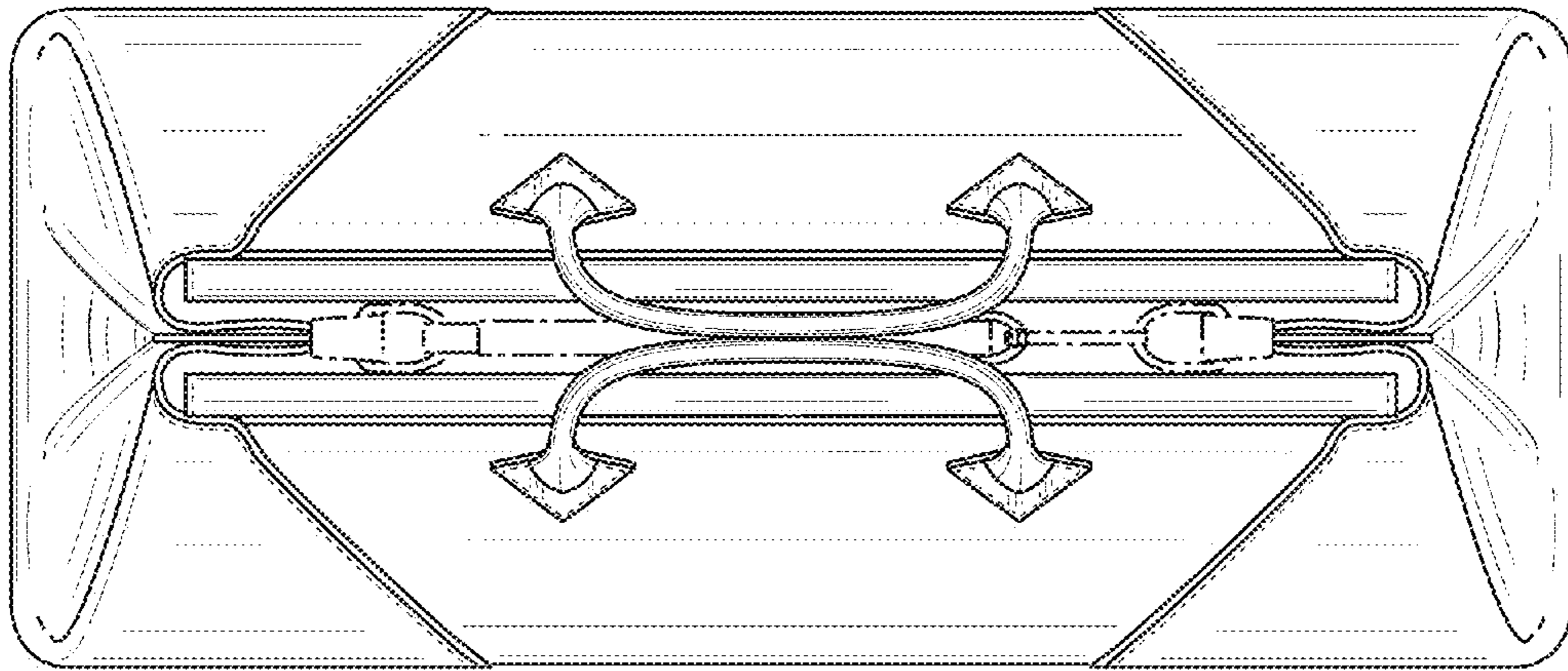


FIG. 4

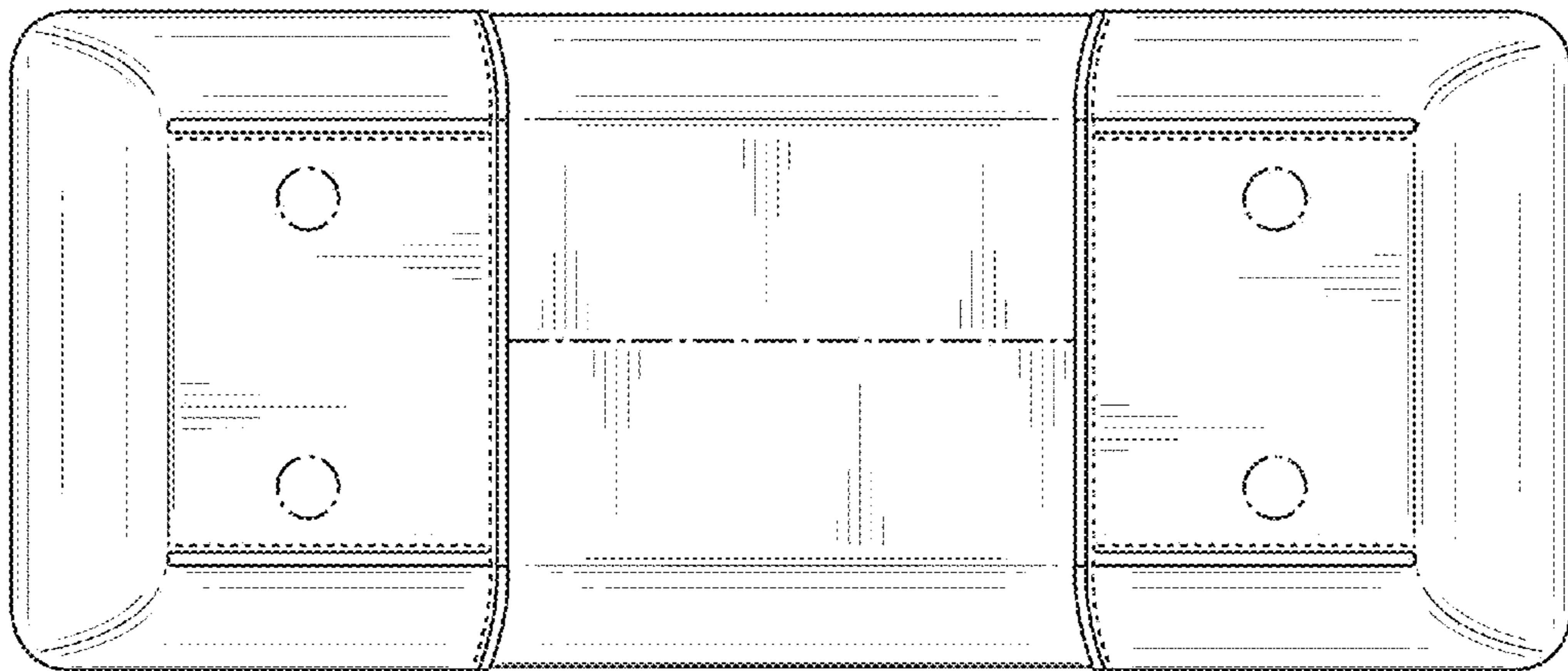


FIG. 5

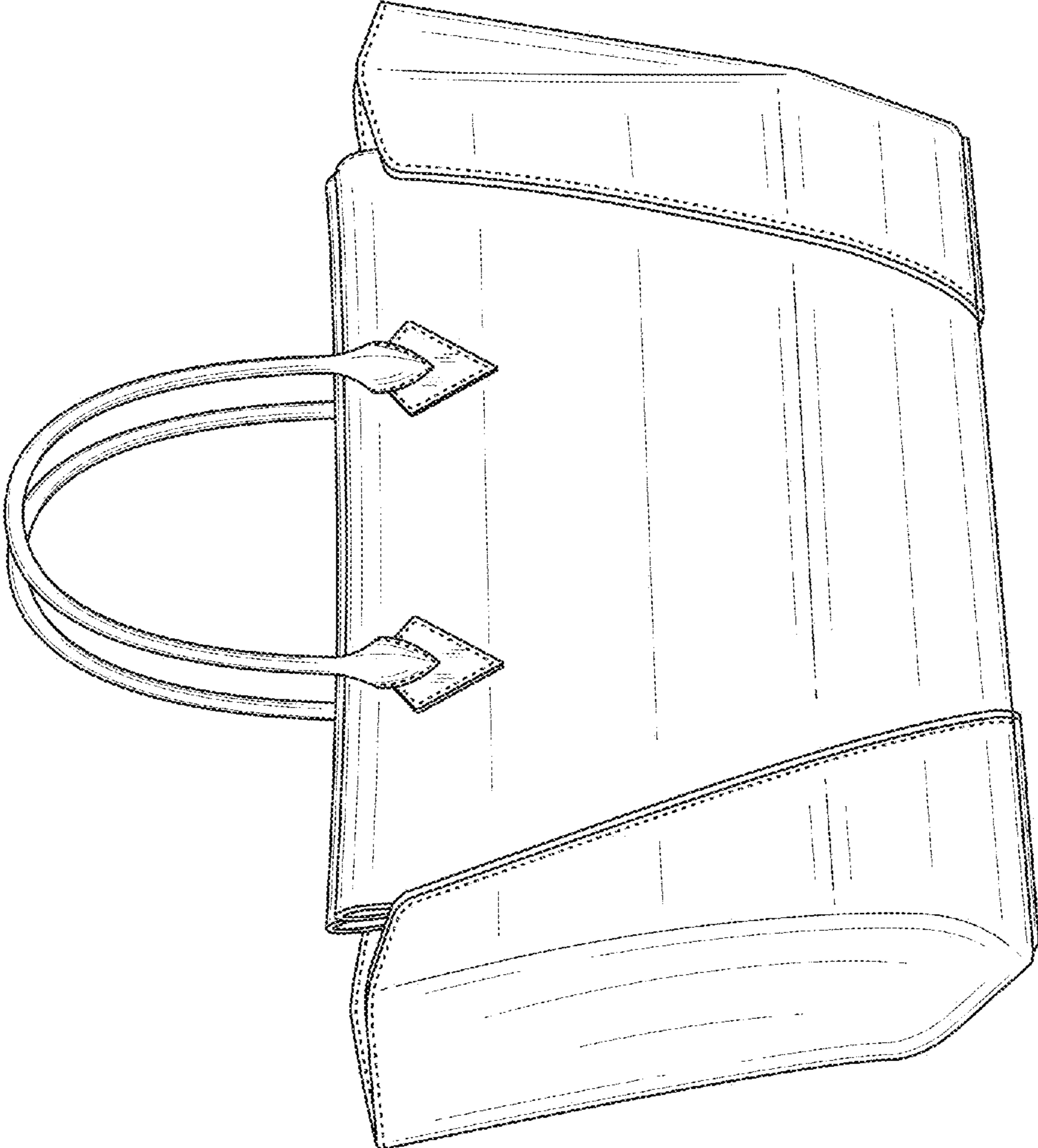


FIG. 6

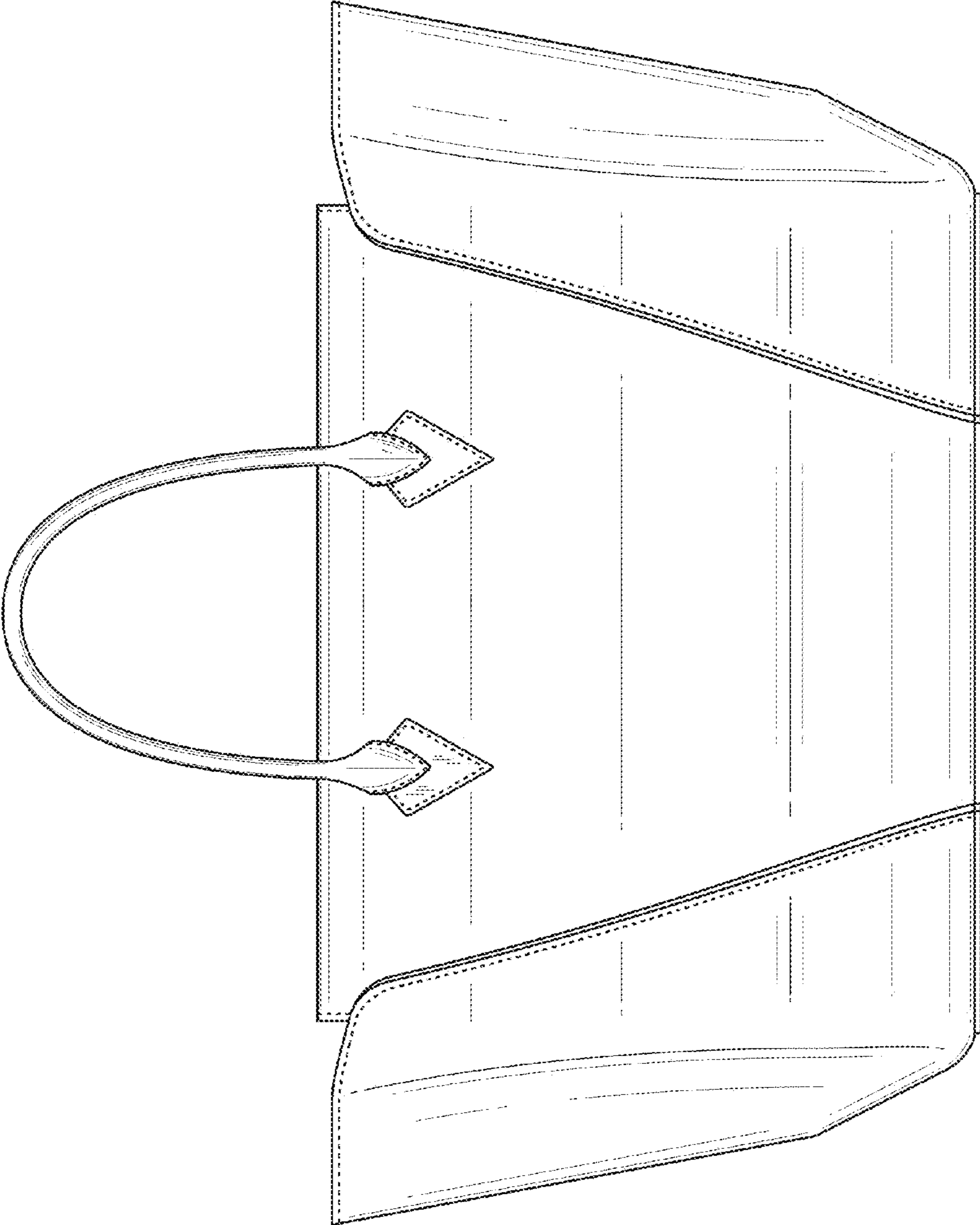


FIG. 7

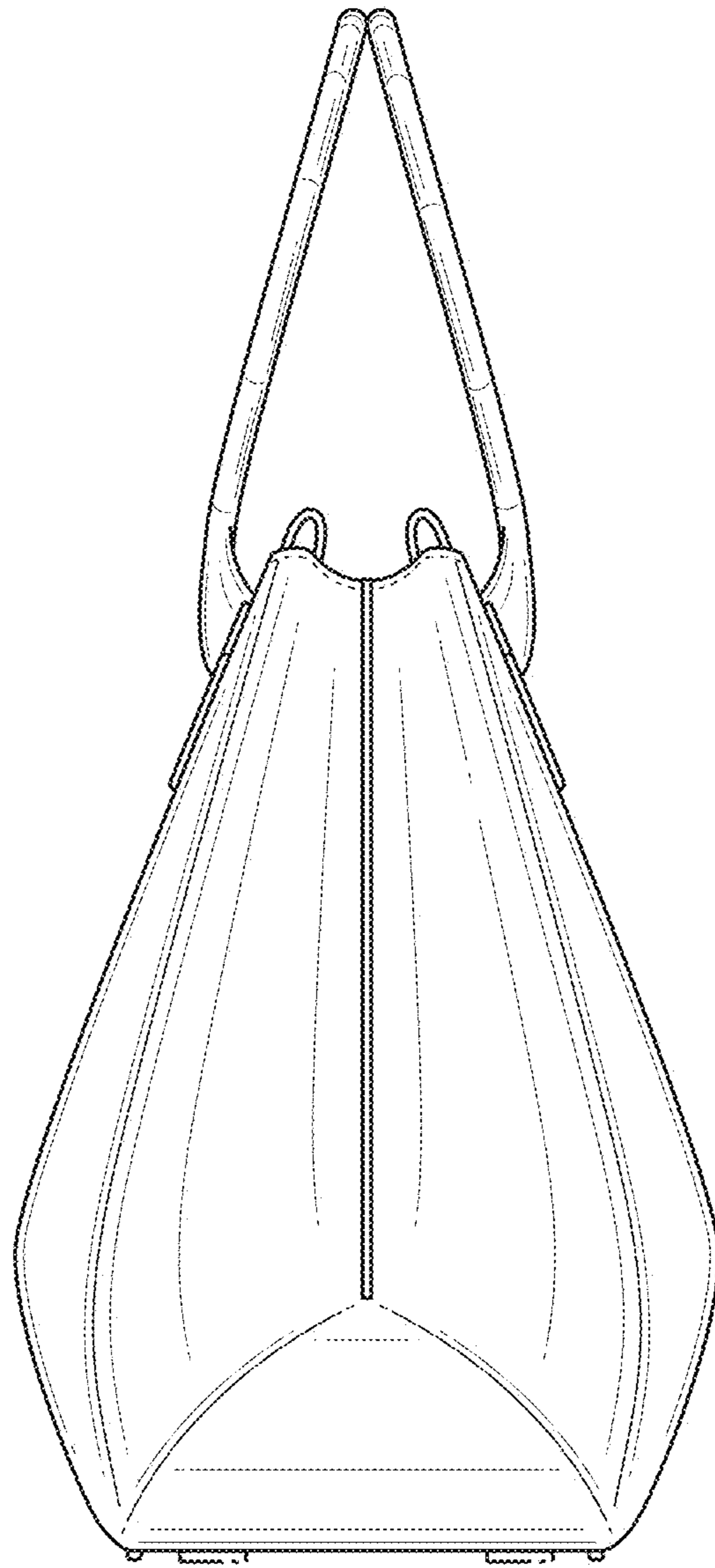


FIG. 8