

US00D728224S

(12) **United States Design Patent**
Puppa

(10) **Patent No.:** **US D728,224 S**

(45) **Date of Patent:** **** May 5, 2015**

(54) **HANDBAG**

D39,314 S * 5/1908 Stember D3/241

(71) Applicant: **Louis Vuitton Malletier (Societe Anonyme)**, Paris (FR)

* cited by examiner

(72) Inventor: **Daniela Puppa**, Milan (IT)

Primary Examiner — Holly Baynham

(73) Assignee: **Louis Vuitton Malletier** (FR)

(74) *Attorney, Agent, or Firm* — Finnegan, Henderson, Farabow, Garrett & Dunner, LLP

(**) Term: **14 Years**

(57) **CLAIM**

The ornamental design for a handbag, as shown and described.

(21) Appl. No.: **29/478,838**

DESCRIPTION

(22) Filed: **Jan. 9, 2014**

(51) **LOC (10) Cl.** **03-01**

(52) **U.S. Cl.**

USPC **D3/243**

(58) **Field of Classification Search**

CPC A45C 1/024; A45C 3/06

USPC D3/232–233, 240–243, 245–246;
150/100, 103–110, 113–114, 117–119

See application file for complete search history.

FIG. 1 is a front perspective view of a handbag showing my new design;

FIG. 2 is a front elevation view thereof;

FIG. 3 is a rear elevation view thereof;

FIG. 4 is a right side view thereof;

FIG. 5 is a left side view thereof;

FIG. 6 is a top plan view thereof;

FIG. 7 is a bottom view thereof; and,

FIG. 8 is a front perspective view in an alternate configuration, where the top flap of the handbag is resting outside the handbag.

The broken lines represent stitching and are part of the claimed design.

(56) **References Cited**

U.S. PATENT DOCUMENTS

D24,543 S * 8/1895 Bruning D3/241

1 Claim, 6 Drawing Sheets



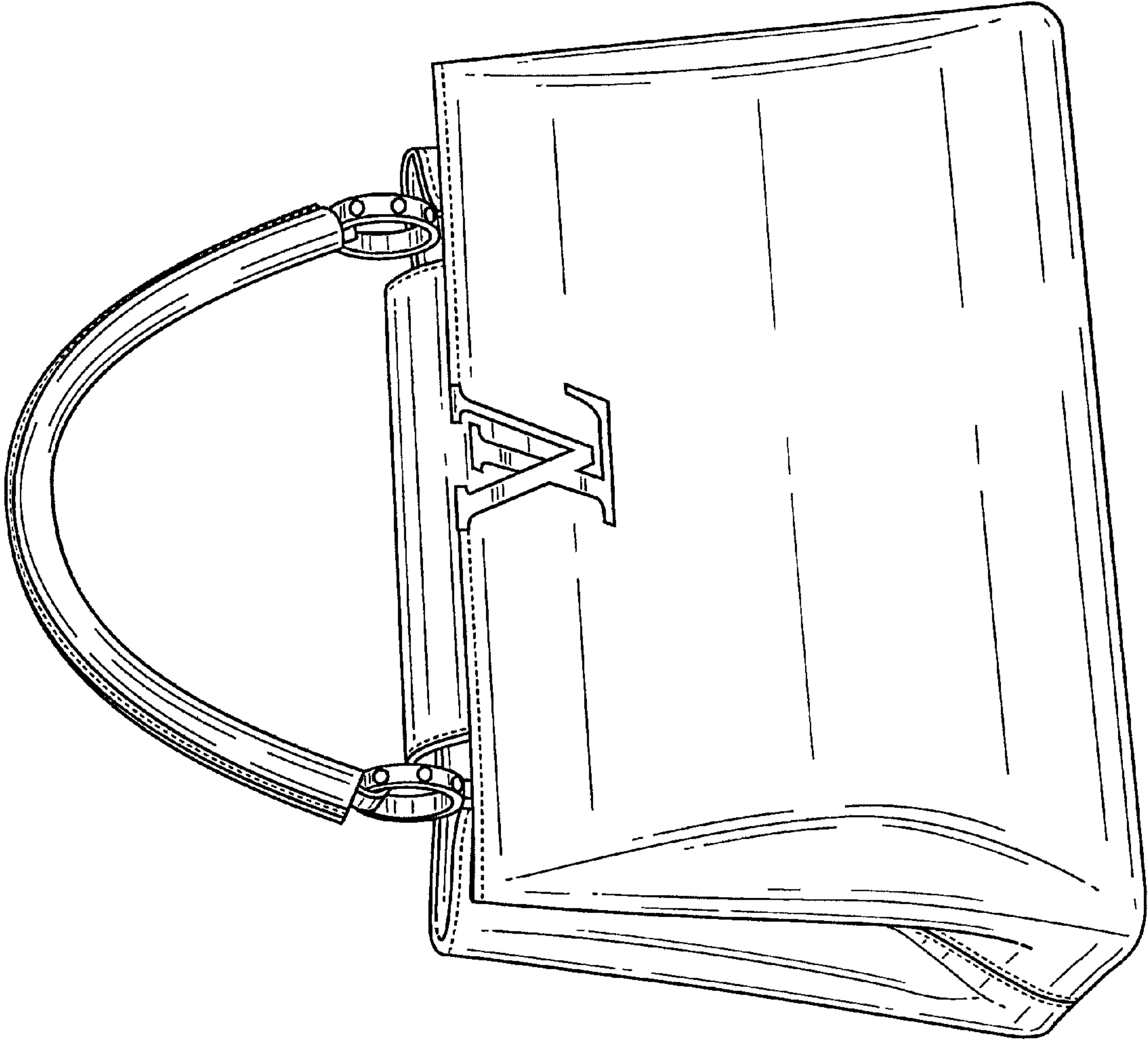


FIG. 1

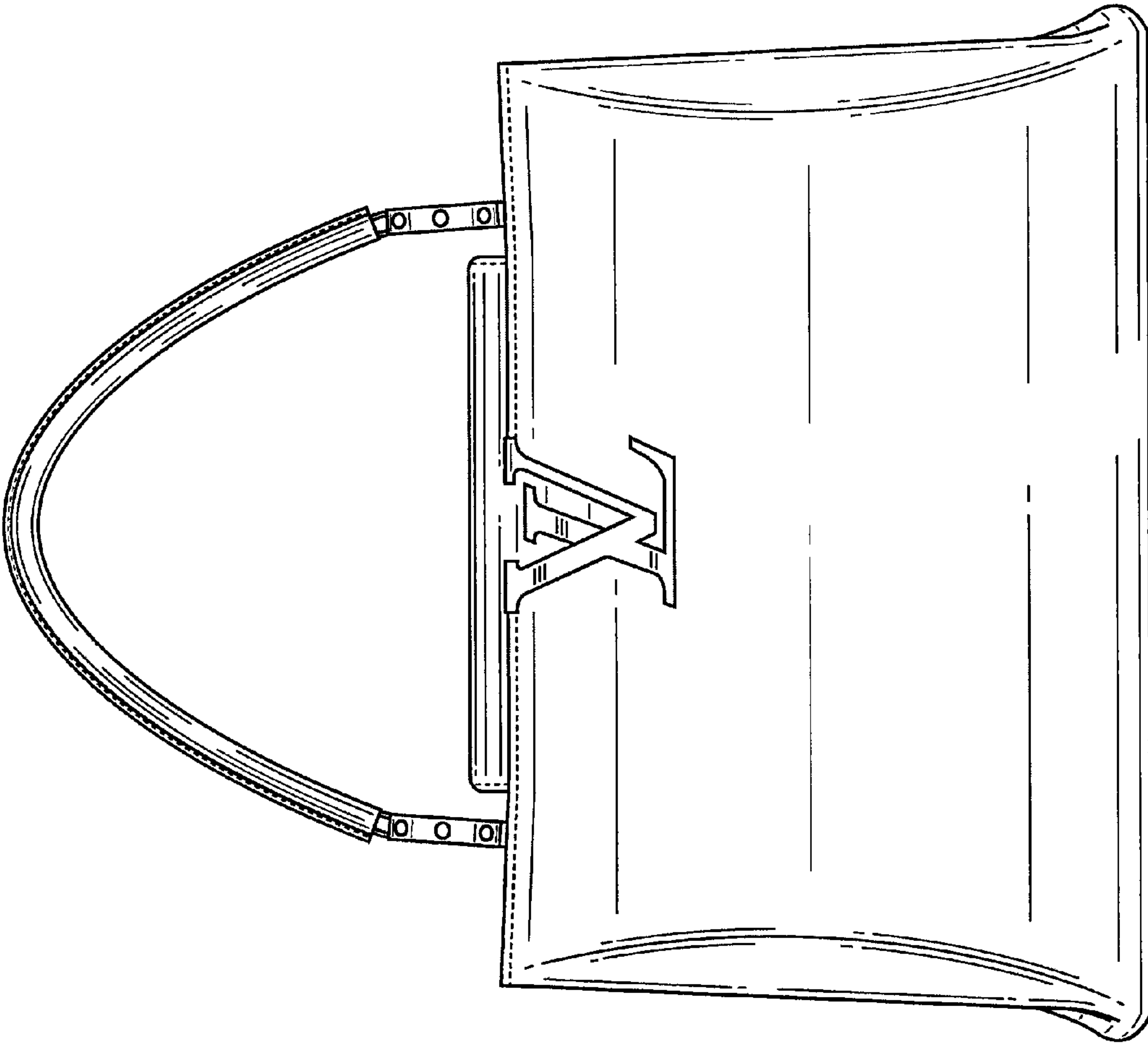


FIG. 2

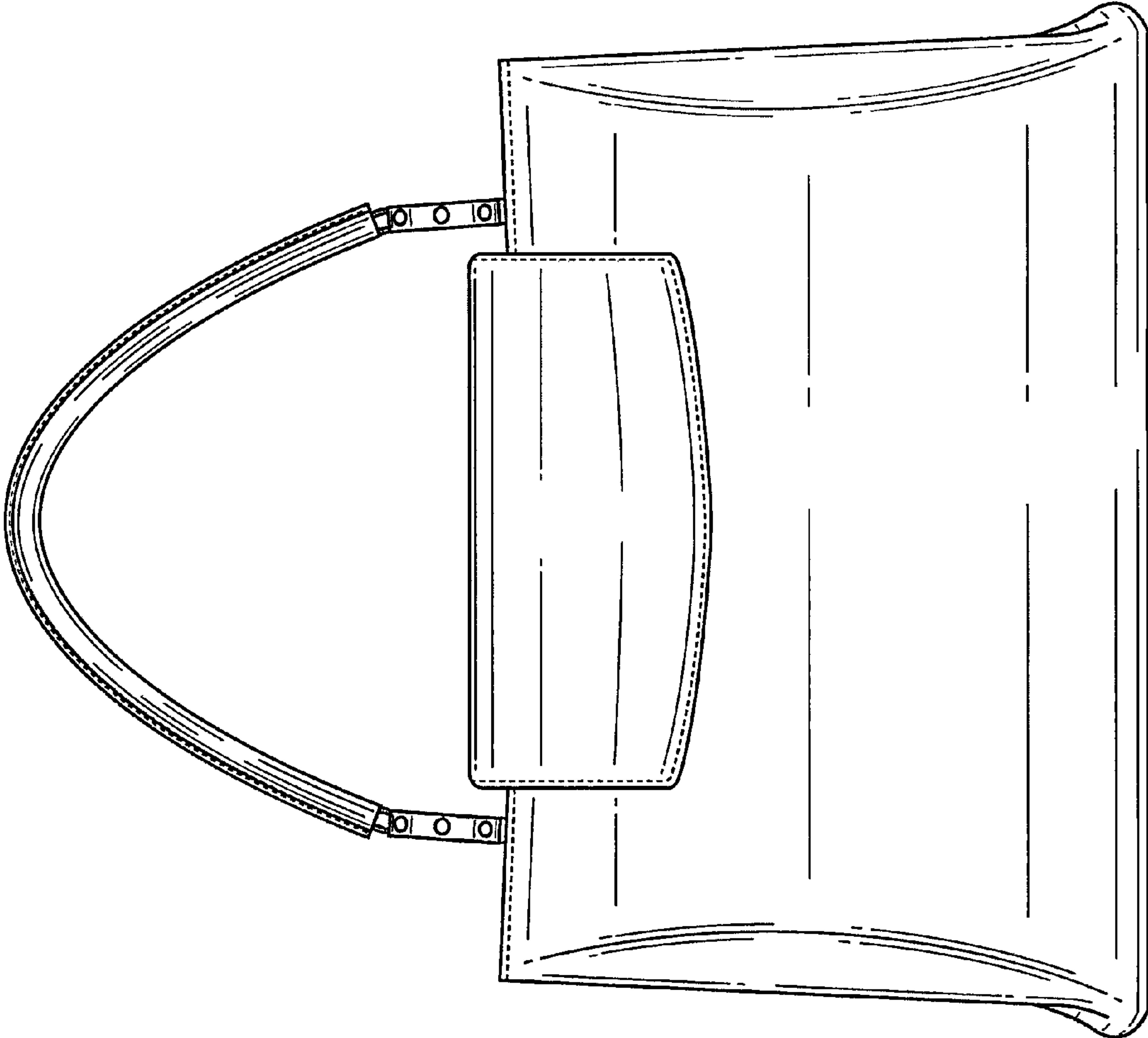


FIG. 3

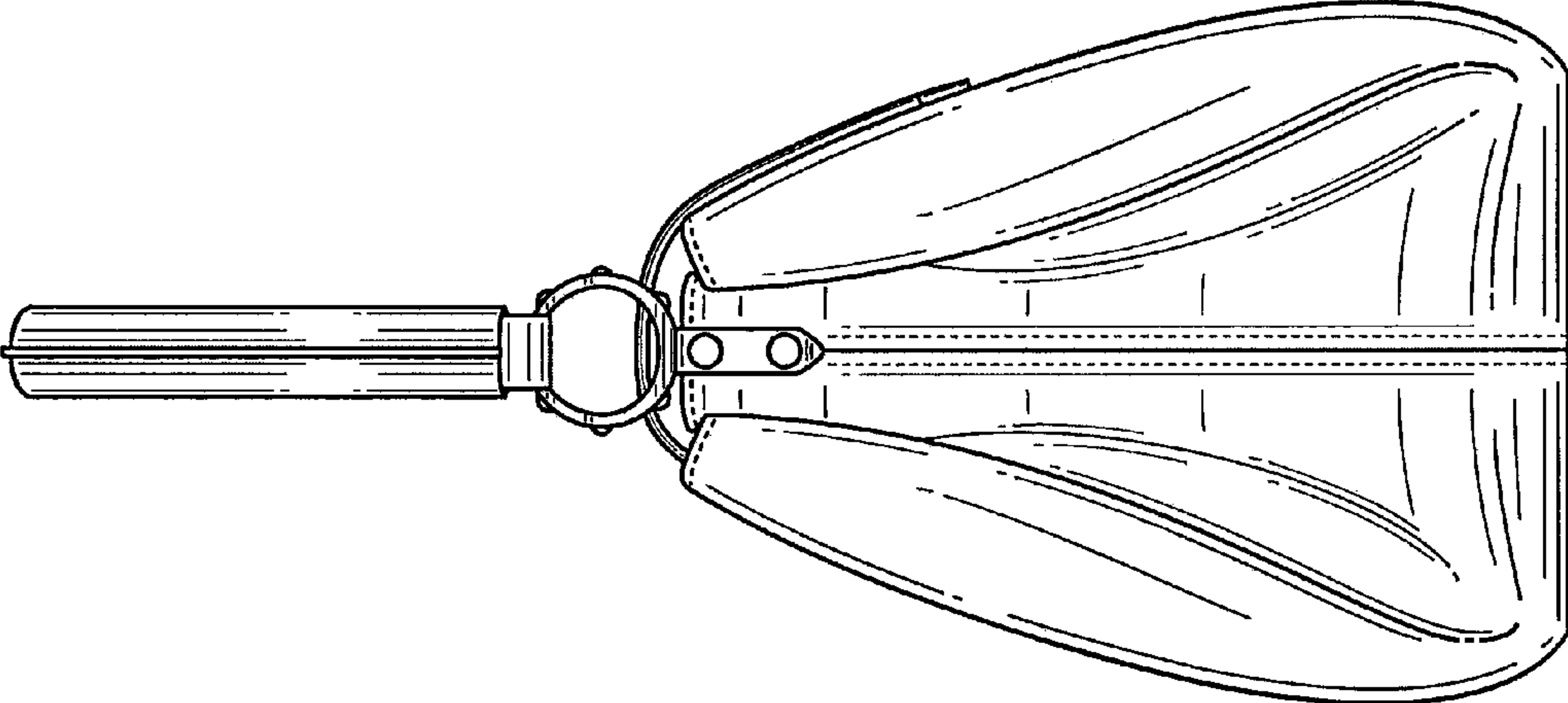


FIG. 5

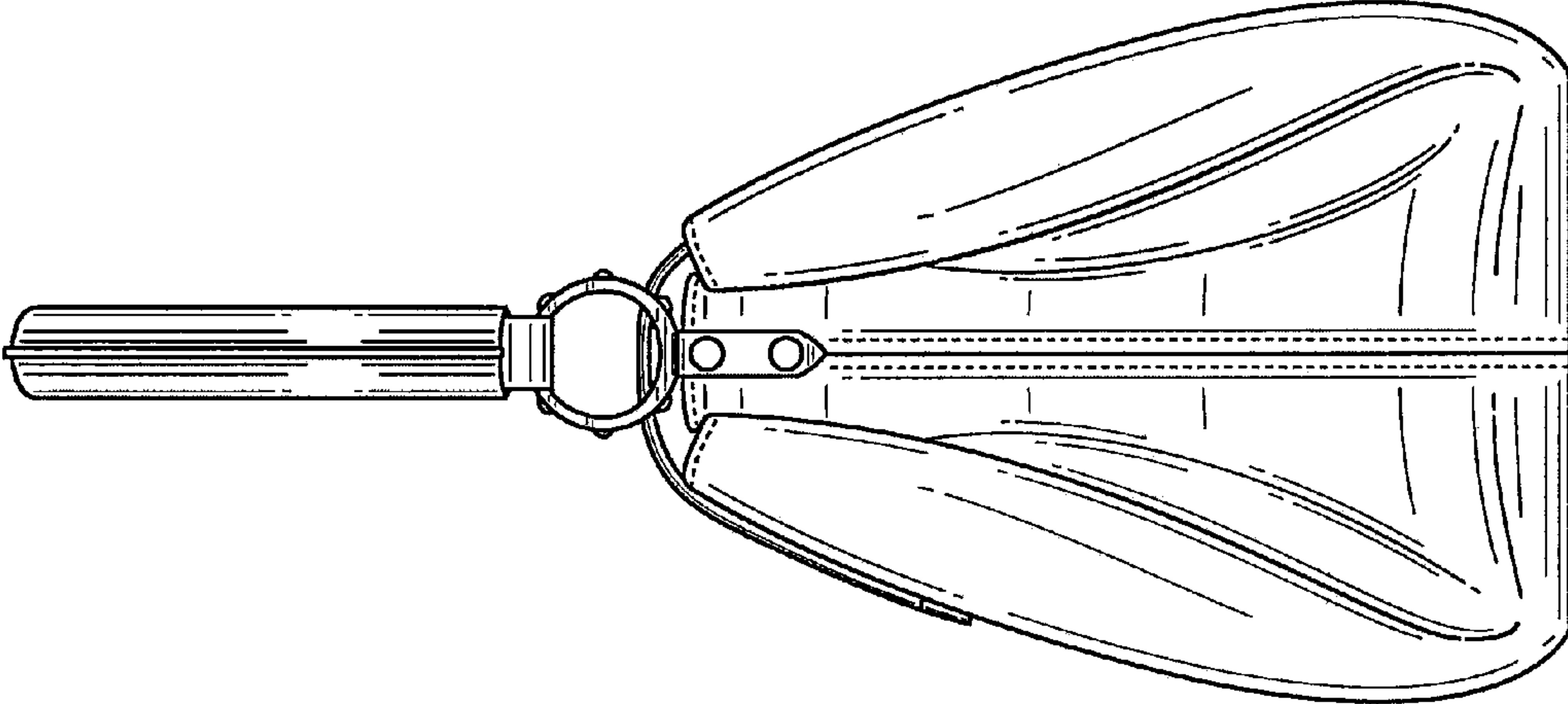


FIG. 4

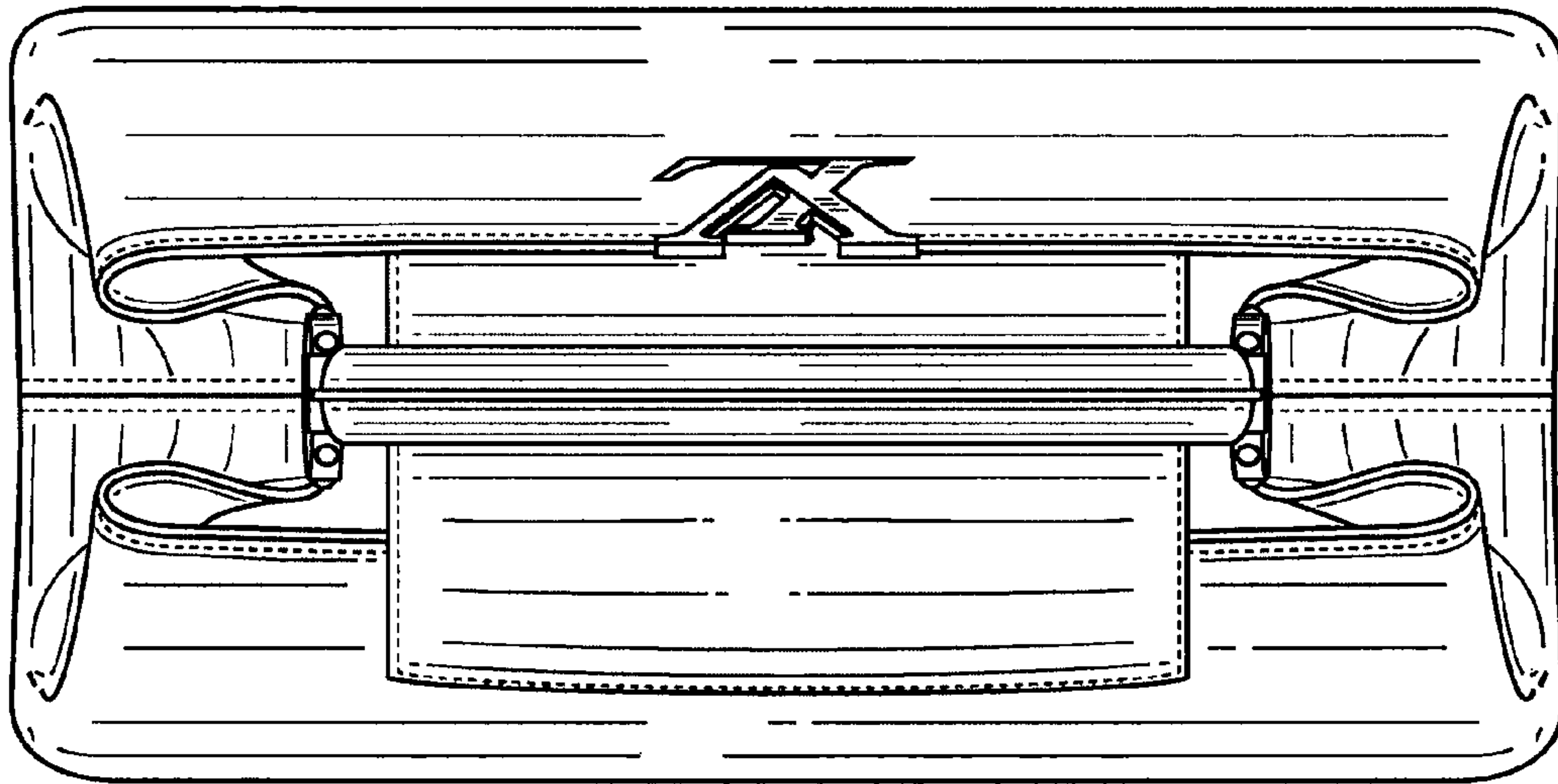


FIG. 6

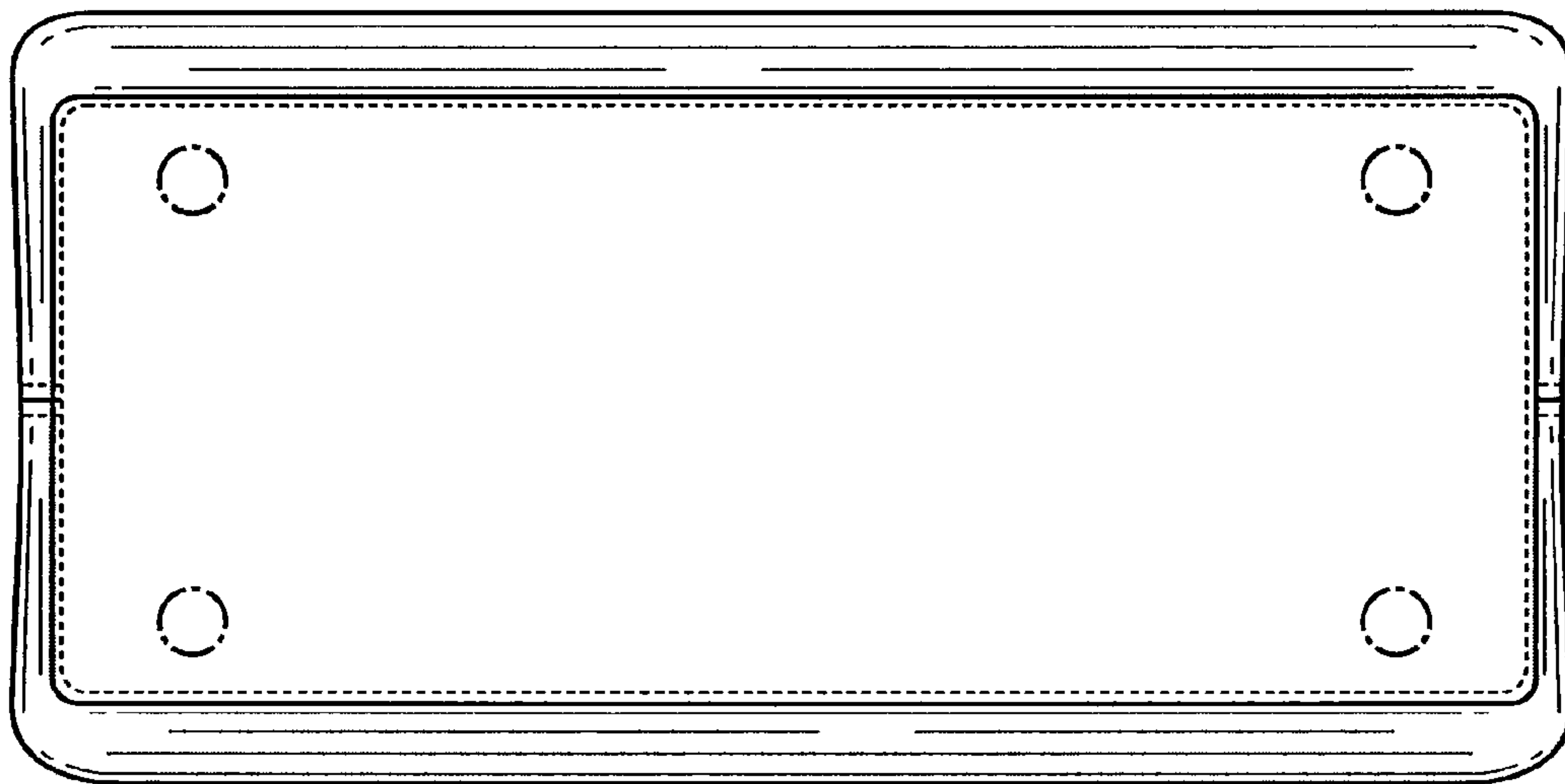


FIG. 7

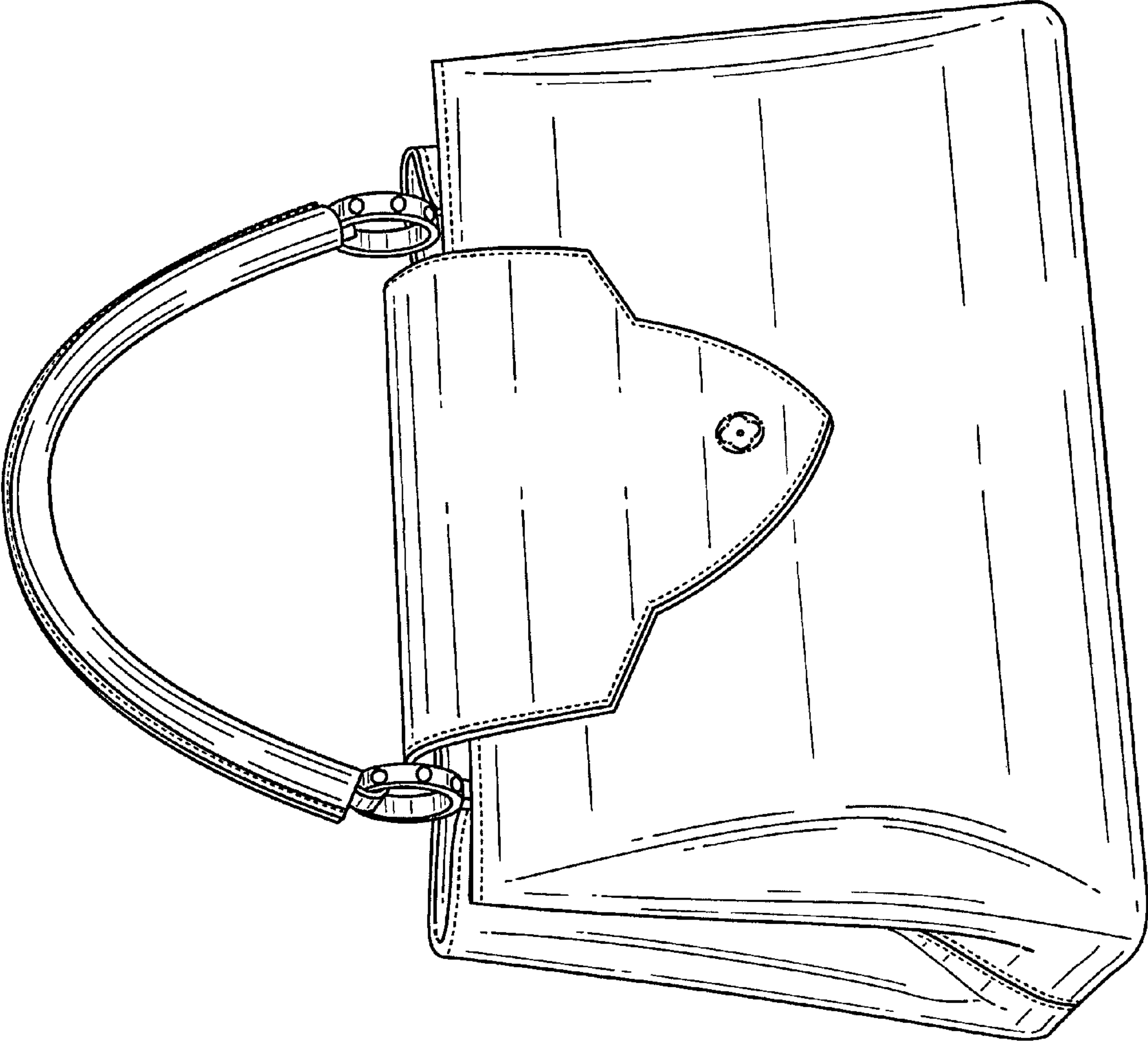


FIG. 8

UNITED STATES PATENT AND TRADEMARK OFFICE
CERTIFICATE OF CORRECTION

PATENT NO. : D728,224 S
APPLICATION NO. : 29/478838
DATED : May 5, 2015
INVENTOR(S) : Daniela Puppa

Page 1 of 1

It is certified that error appears in the above-identified patent and that said Letters Patent is hereby corrected as shown below:

On the title page insert item (30), The priority information is:

--(30) European Communication Registration Number 002329334-0001, filed October 17, 2013.--

Signed and Sealed this
Seventeenth Day of November, 2015



Michelle K. Lee
Director of the United States Patent and Trademark Office