



US00D728223S

(12) **United States Design Patent**
Setre Shens

(10) **Patent No.:** **US D728,223 S**
(45) **Date of Patent:** **** May 5, 2015**

- (54) **BAG**
- (71) Applicant: **Jaklin Setre Shens**, Los Angeles, CA (US)
- (72) Inventor: **Jaklin Setre Shens**, Los Angeles, CA (US)
- (**) Term: **14 Years**
- (21) Appl. No.: **29/476,732**
- (22) Filed: **Dec. 16, 2013**
- (51) **LOC (10) Cl.** **03-01**
- (52) **U.S. Cl.**
USPC **D3/232**
- (58) **Field of Classification Search**
CPC A45C 1/024; A45C 3/06; B65D 85/18;
B65D 85/182
USPC D3/232-233, 240-243, 245-246, 294
See application file for complete search history.

(56) **References Cited**

U.S. PATENT DOCUMENTS

D548,969 S *	8/2007	Bramley	D3/294
D640,051 S *	6/2011	Custer	D3/233
D675,434 S *	2/2013	Vernall et al.	D3/294
D675,823 S *	2/2013	Vernall et al.	D3/294
D685,178 S *	7/2013	Lv	D3/206

* cited by examiner

Primary Examiner — Holly Baynham

(74) *Attorney, Agent, or Firm* — Payam Moradian

(57) **CLAIM**

The ornamental design of a bag, as shown and described.

DESCRIPTION

FIG. 1 illustrates a perspective view of a bag according to the first embodiment of the invention with a finger print sensor for opening the lock.

FIG. 2 illustrates a front view of a bag according to the first embodiment of the invention with a finger print sensor for opening the lock.

FIG. 3 illustrates a back view of a bag according to the first embodiment of the invention with a finger print sensor for opening the lock. The back view is on opposite side of the front view.

FIG. 4 illustrates a side view of a bag according to the first embodiment of the invention with a finger print sensor for opening the lock.

FIG. 5 illustrates a side view of a bag according to the first embodiment of the invention with a finger print sensor for opening the lock. The view of FIG. 5 is opposite the view of FIG. 4.

FIG. 6 illustrates a top view of a bag according to the first embodiment of the invention with a finger print sensor for opening the lock.

FIG. 7 illustrates a bottom view of a bag according to the first embodiment of the invention with a finger print sensor for opening the lock.

FIG. 8 illustrates a perspective view of a bag according to the second embodiment of the invention with a combination lock.

FIG. 9 illustrates a front view of a bag according to the second embodiment of the invention with a combination lock.

FIG. 10 illustrates a back view of a bag according to the second embodiment of the invention with a combination lock. The back view is on opposite side of the front view.

FIG. 11 illustrates a side view of a bag according to the second embodiment of the invention with a combination lock.

FIG. 12 illustrates a side view of a bag according to the second embodiment of the invention with a combination lock.

FIG. 13 illustrates a top view of a bag according to the second embodiment of the invention with a combination lock. The view of FIG. 13 is opposite the view of FIG. 12; and,

FIG. 14 illustrates a bottom view of a bag according to the second embodiment of the invention with a combination lock.

1 Claim, 10 Drawing Sheets

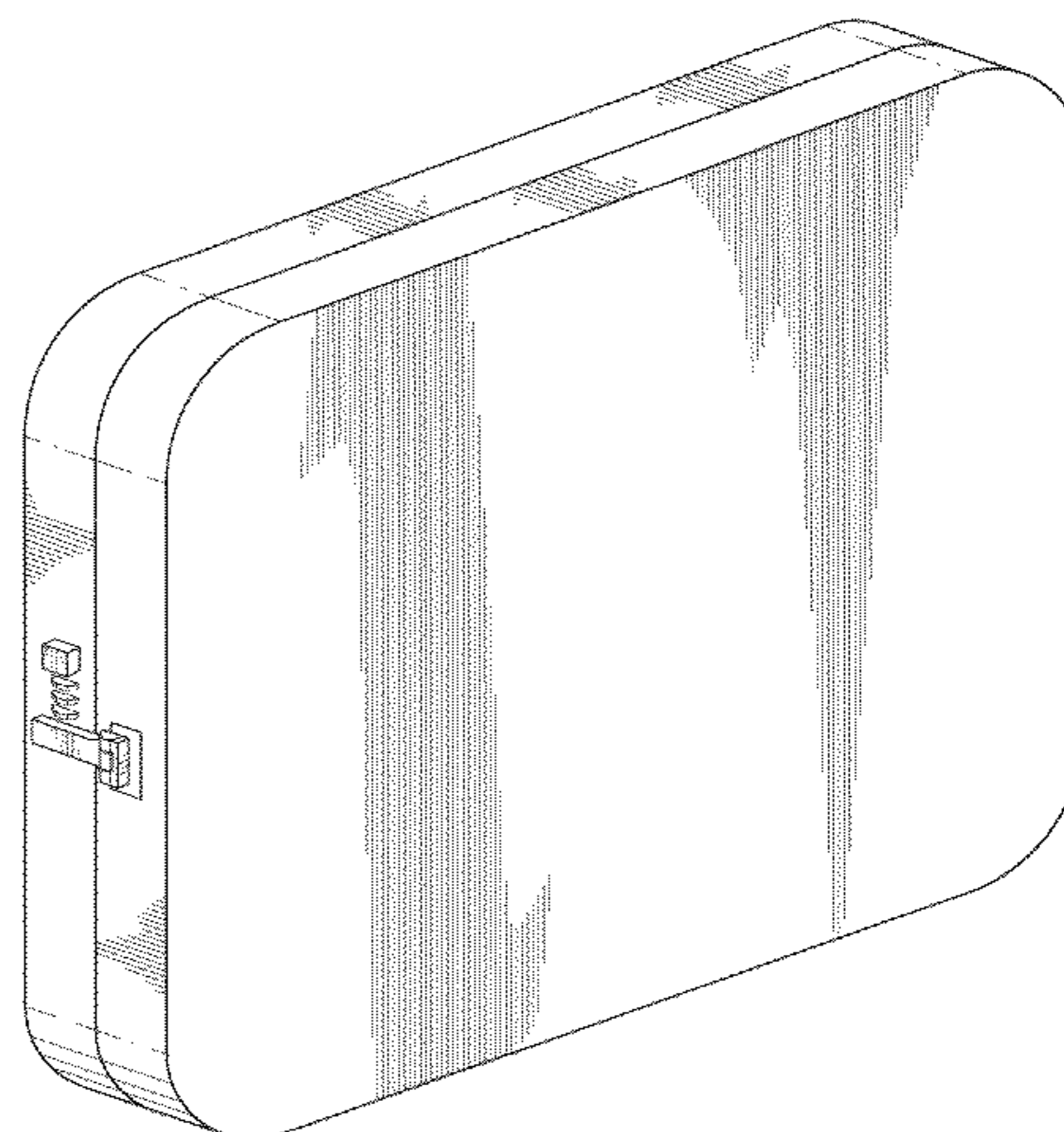
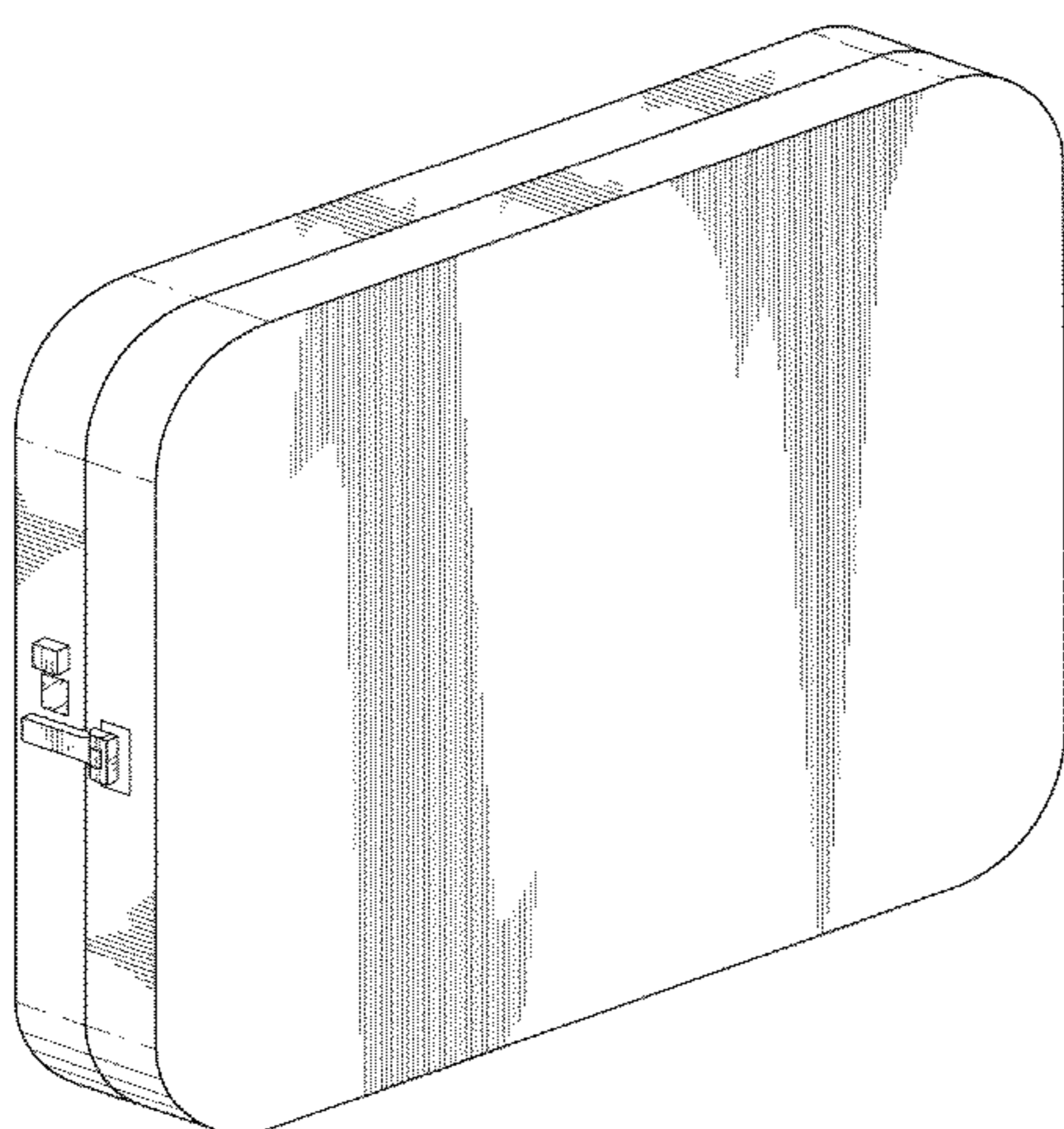


FIG. 1

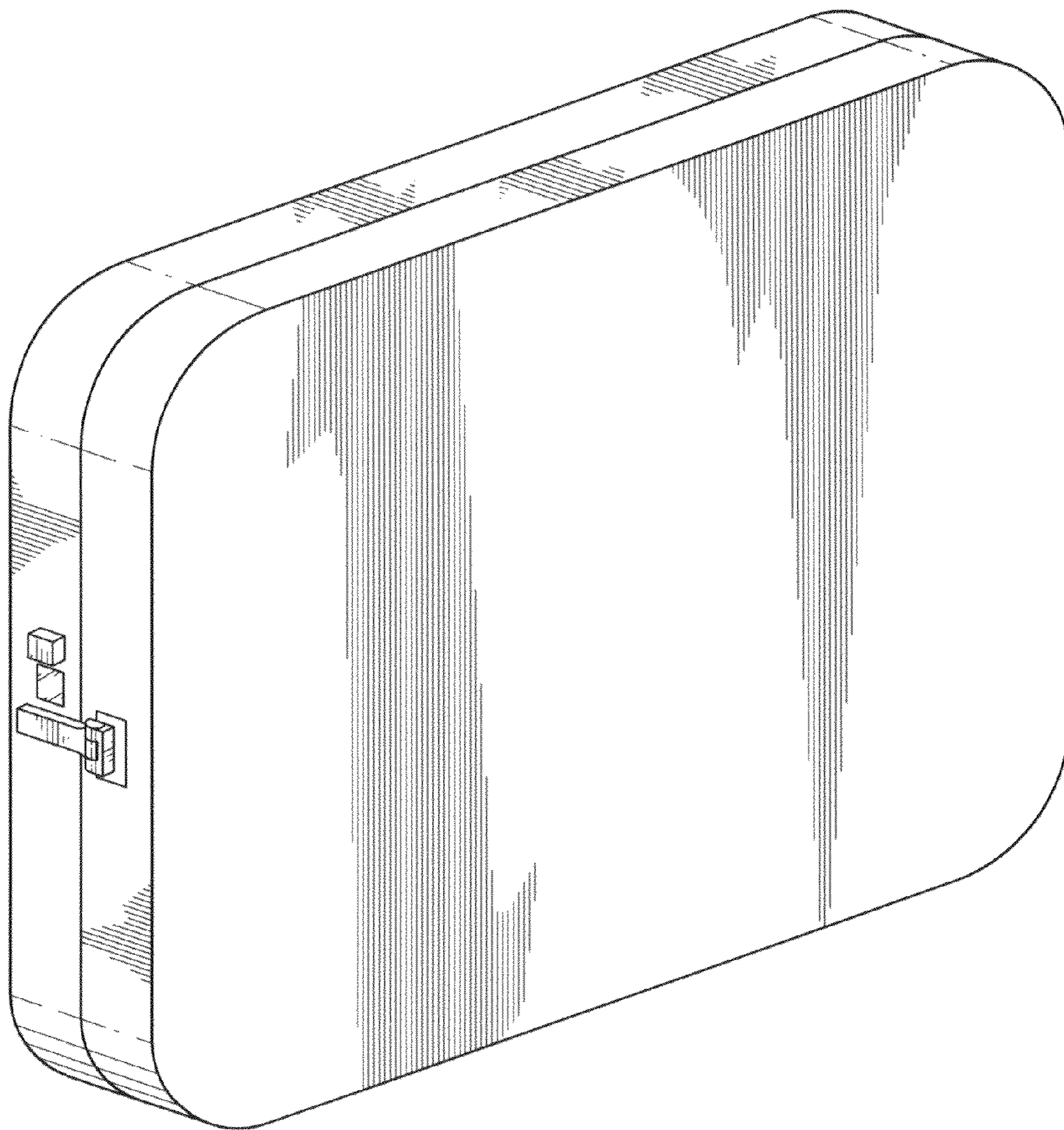


FIG. 2

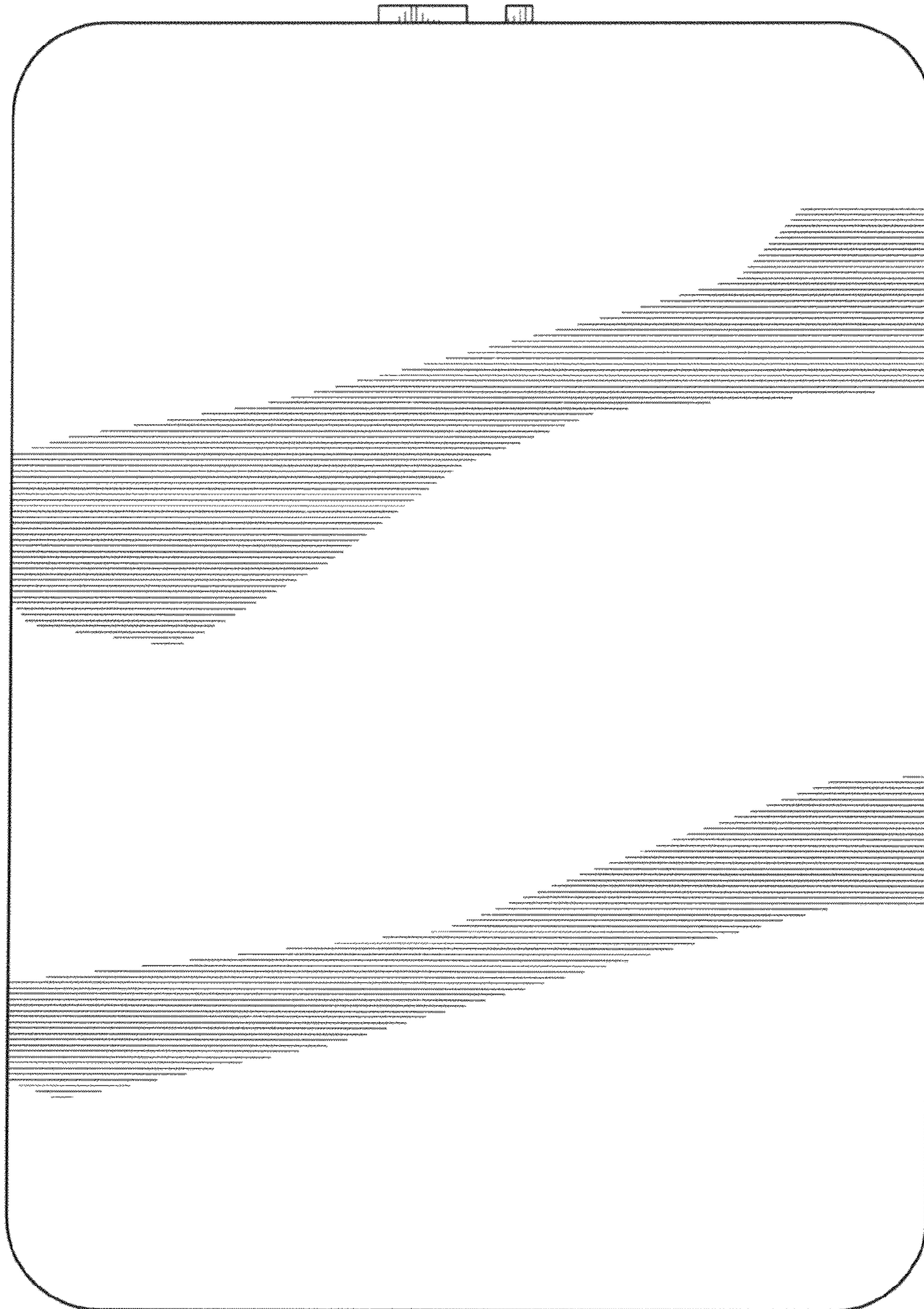


FIG. 3

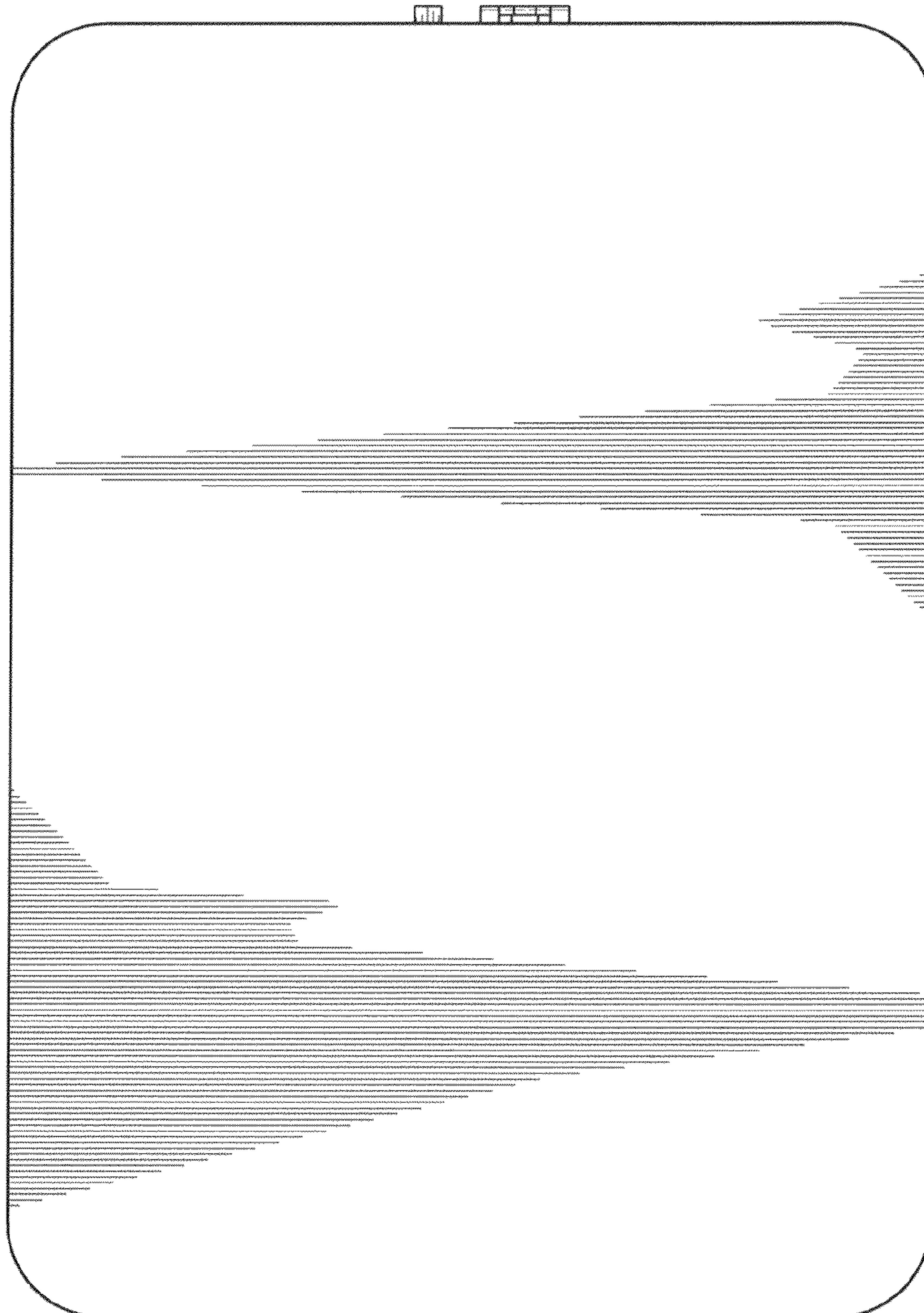


FIG. 4

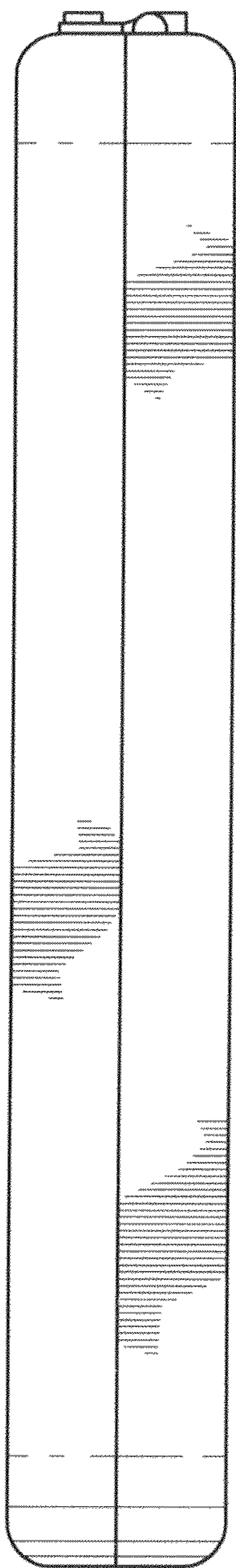


FIG. 5

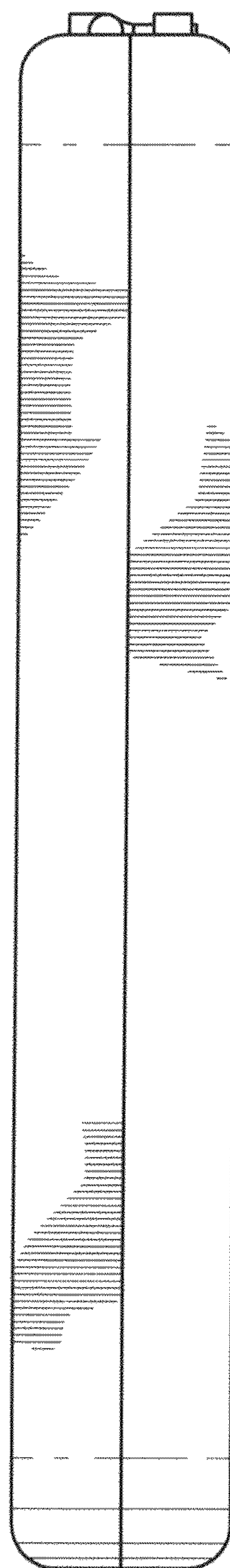


FIG. 6

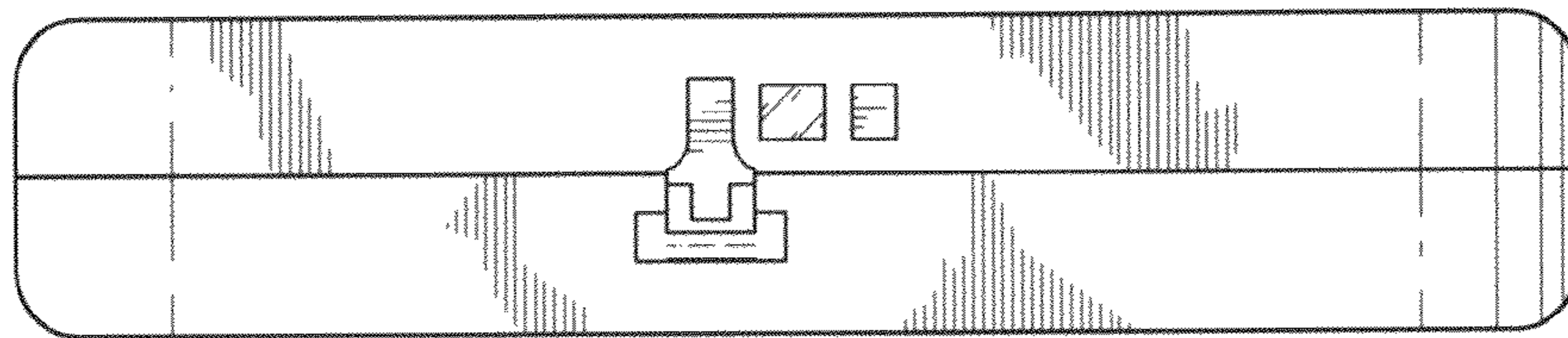


FIG. 7

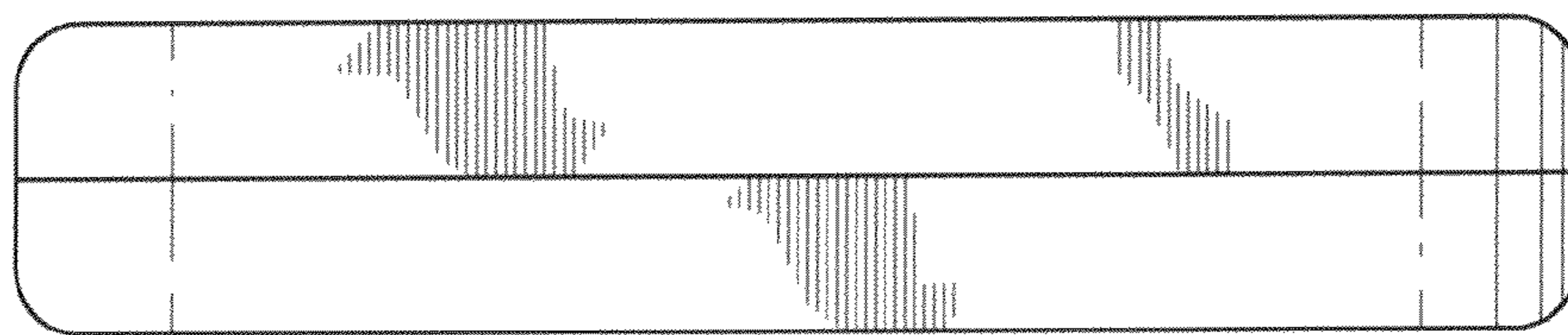


FIG. 8

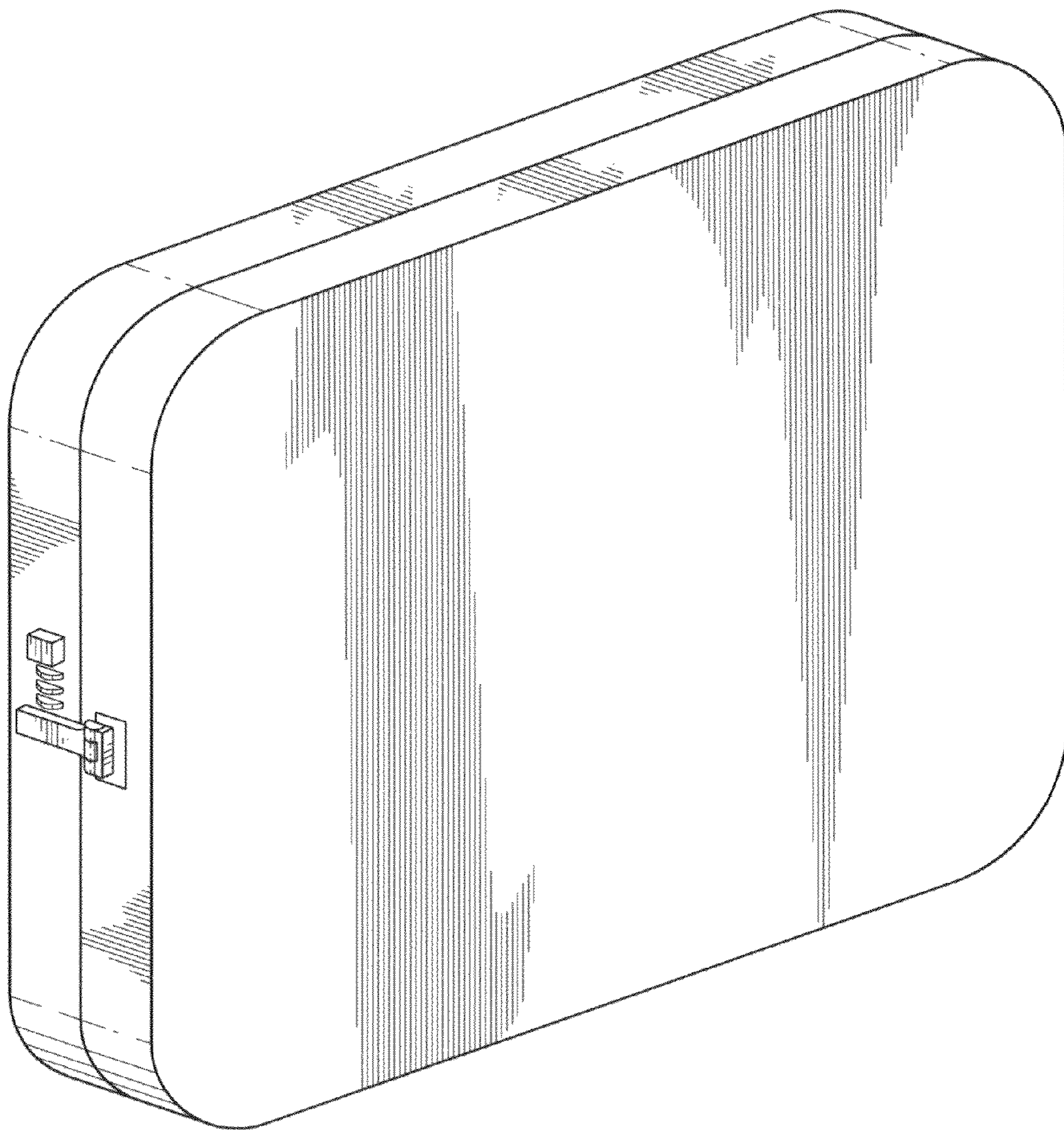


FIG. 9



FIG. 10

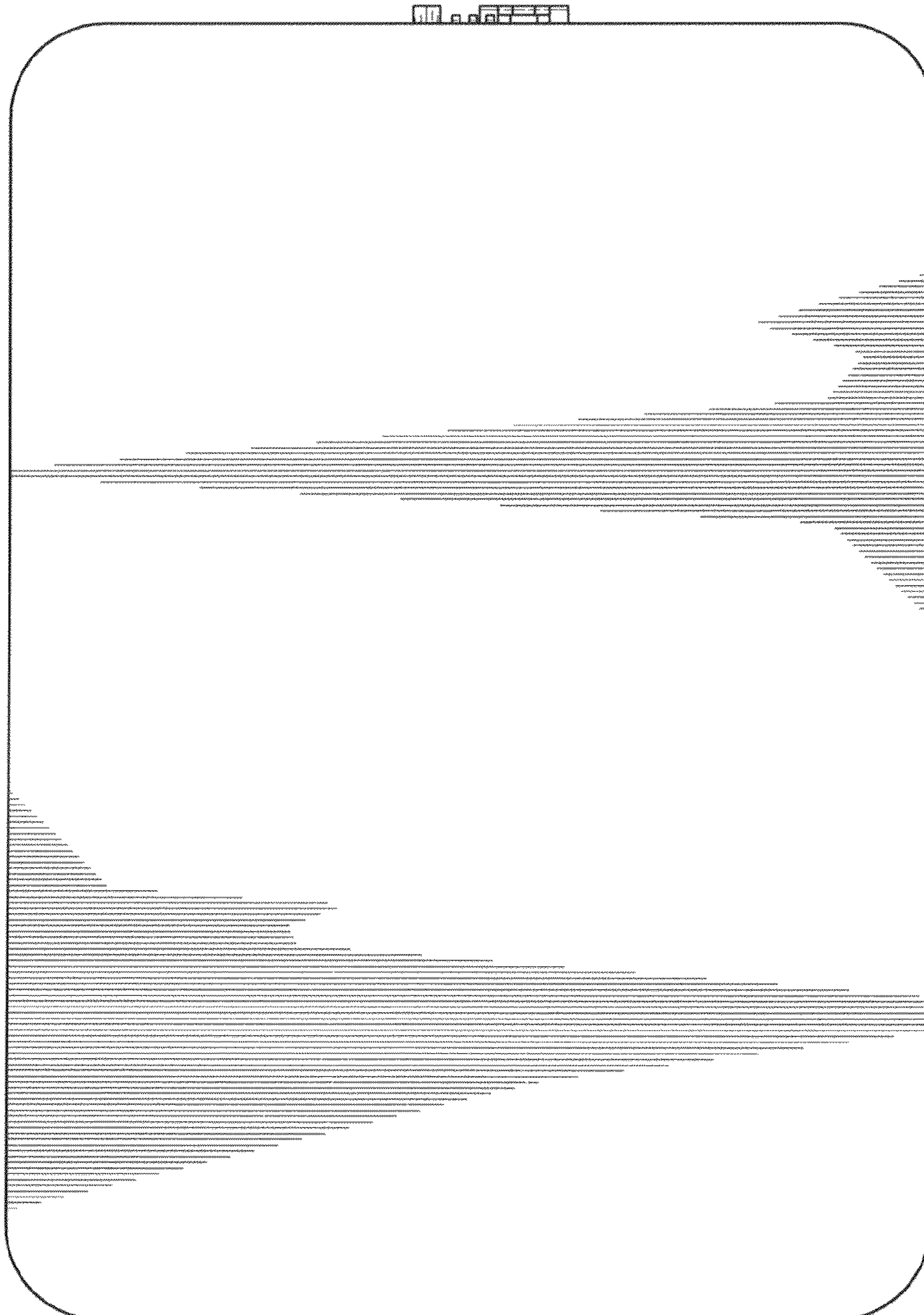


FIG. 11

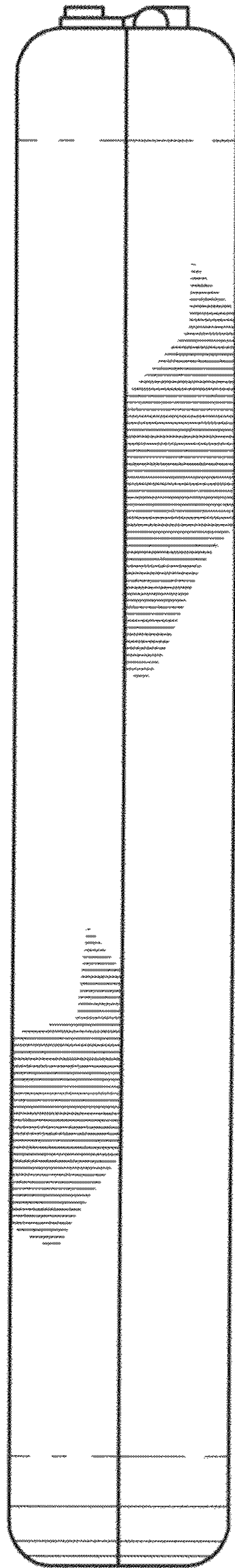


FIG. 12

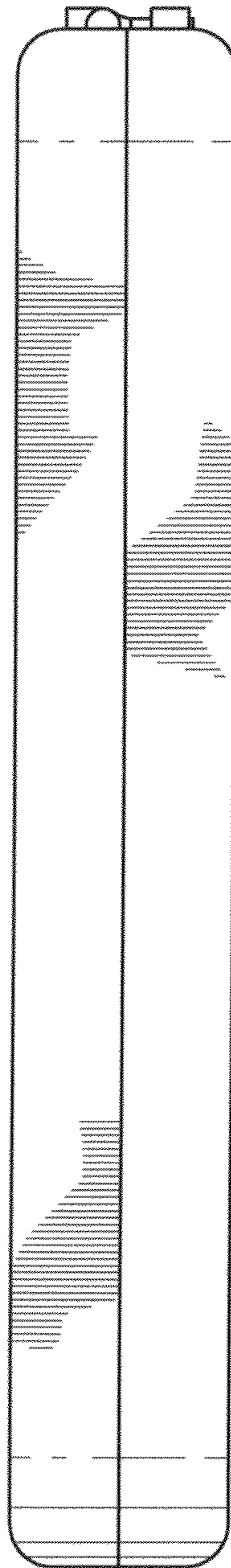


FIG. 13

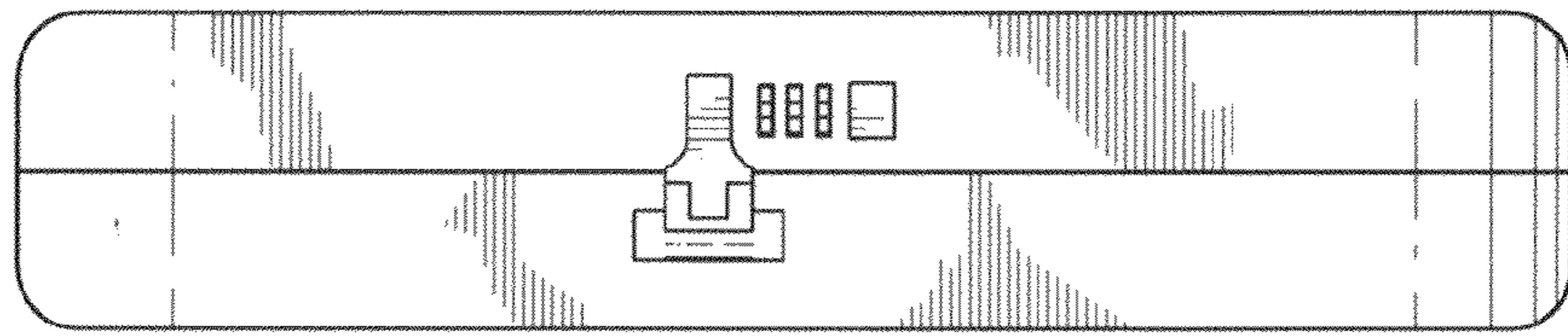


FIG. 14

