



US00D728218S

(12) **United States Design Patent**
Goldstein

(10) **Patent No.:** **US D728,218 S**

(45) **Date of Patent:** **** May 5, 2015**

(54) **FIRST AID KIT**

(71) Applicant: **Avraham Goldstein**, Flushing, NY (US)

(72) Inventor: **Avraham Goldstein**, Flushing, NY (US)

(**) Term: **14 Years**

(21) Appl. No.: **29/472,547**

(22) Filed: **Nov. 13, 2013**

(51) **LOC (10) Cl.** **03-01**

(52) **U.S. Cl.**
USPC **D3/203.6; D12/417**

(58) **Field of Classification Search**
CPC A45F 2003/003; A45F 3/005; B60R 7/05;
B60R 2001/0035
USPC D3/203.1, 203.6, 203.7, 205, 215, 221,
D3/226, 228; D12/417; 206/438, 828
See application file for complete search history.

(56) **References Cited**

U.S. PATENT DOCUMENTS

4,429,793 A * 2/1984 Ehmann 206/828
D512,216 S * 12/2005 Joyce D3/203.6

D593,317 S * 6/2009 Yao et al. D3/203.6
D663,944 S * 7/2012 Bouskill D3/203.1
D681,937 S * 5/2013 Peterson et al. D3/203.6

* cited by examiner

Primary Examiner — Catheri Oliver-Garcia

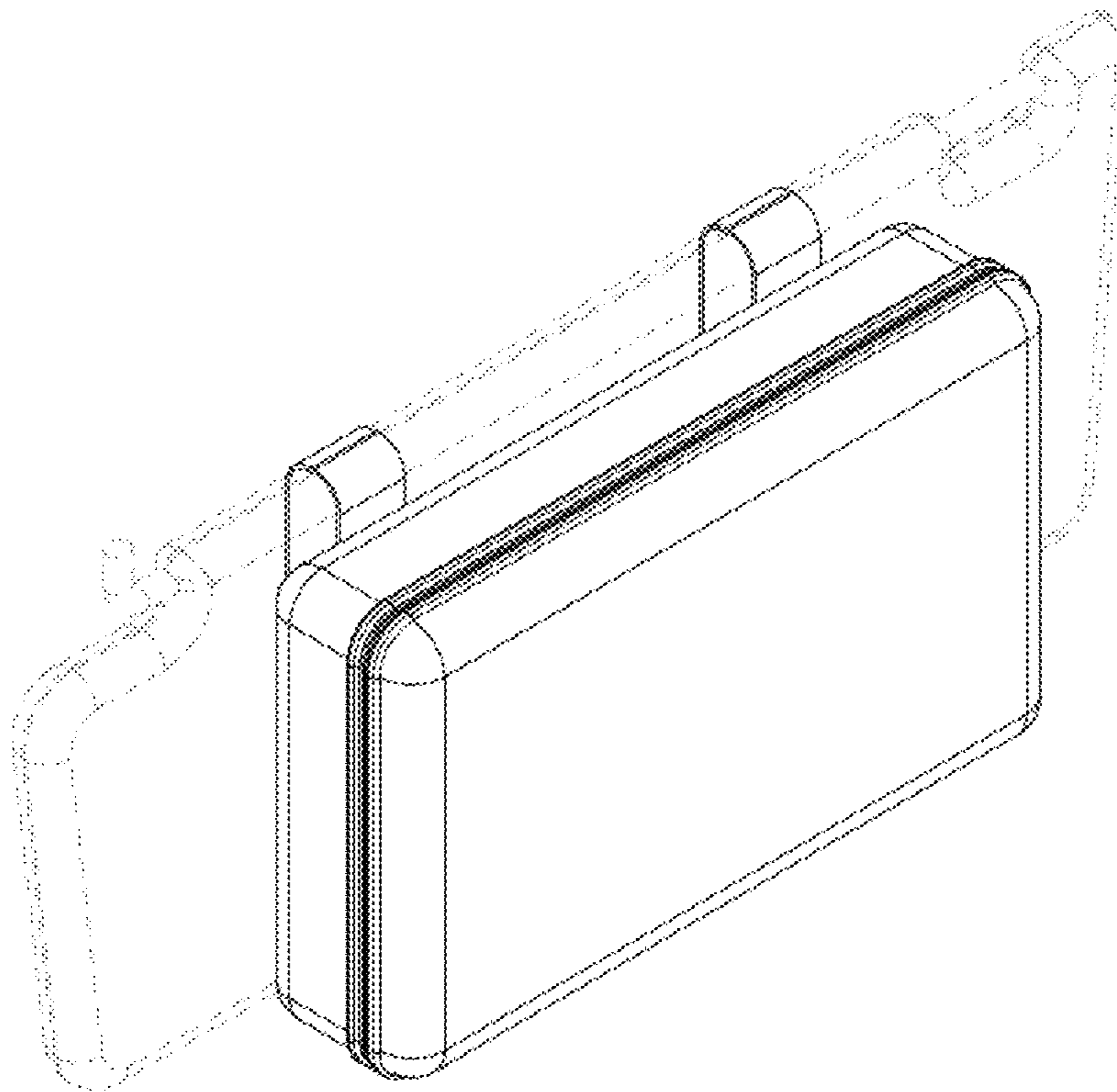
(57) **CLAIM**

I claim the ornamental design for a first aid kit, as shown and described.

DESCRIPTION

FIG. 1 is a top perspective view of the claimed first aid kit, attached to a visor;
FIG. 2 is another top perspective view of the claimed first aid kit;
FIG. 3 is a bottom perspective view of the claimed first aid kit;
FIG. 4 is a front elevation view of the claimed first aid kit;
FIG. 5 is a rear elevation view of the claimed first aid kit;
FIG. 6 is a top plan view of the claimed first aid kit;
FIG. 7 is a bottom plan view of the claimed first aid kit;
FIG. 8 is a left side view of the claimed first aid kit; and,
FIG. 9 is a right side view of the claimed first aid kit.
The broken lines showing an automobile visor are for the purpose of illustrating the environment related to the claimed design, and form no part of the claimed design.

1 Claim, 7 Drawing Sheets



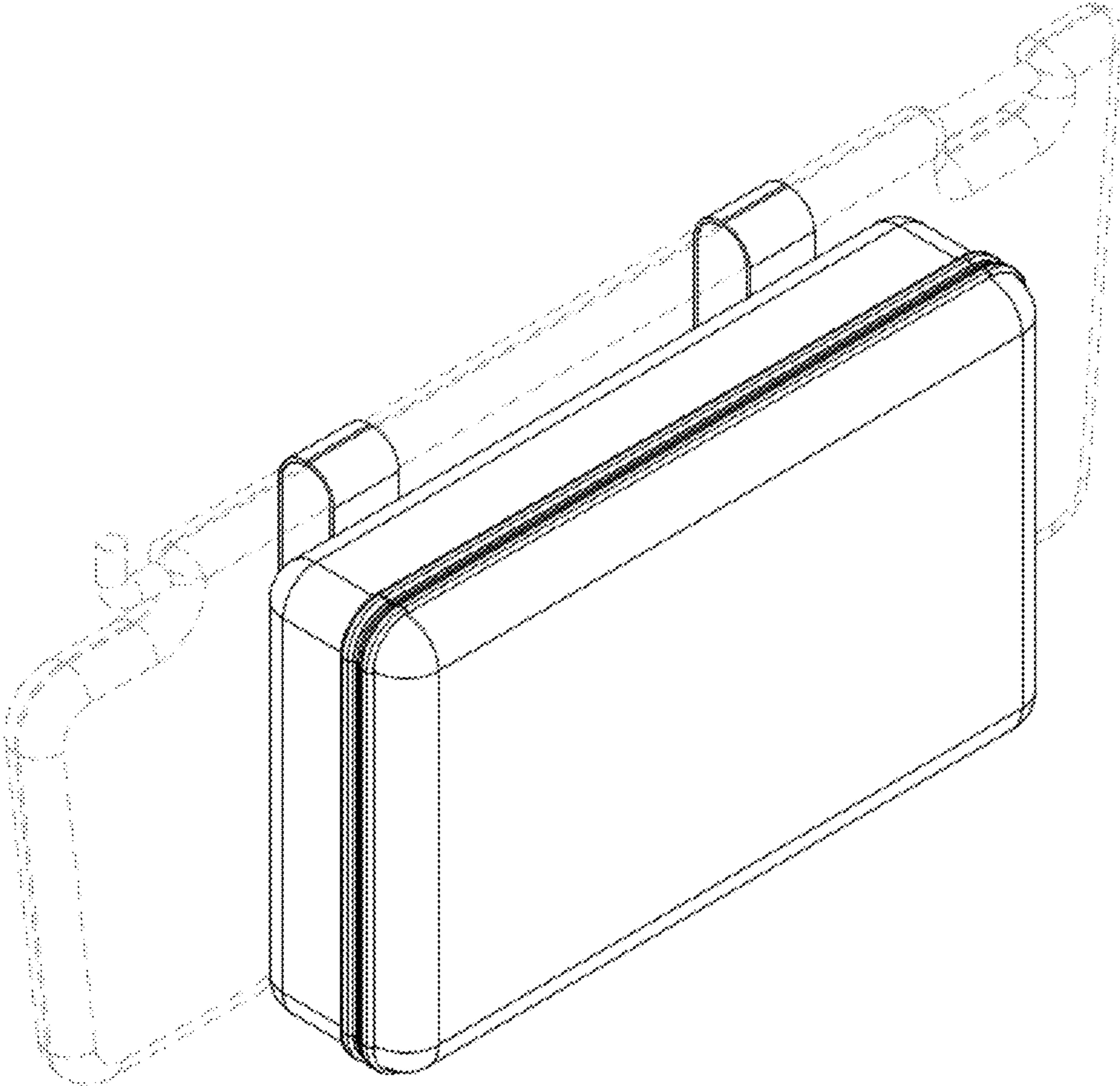


FIG. 1

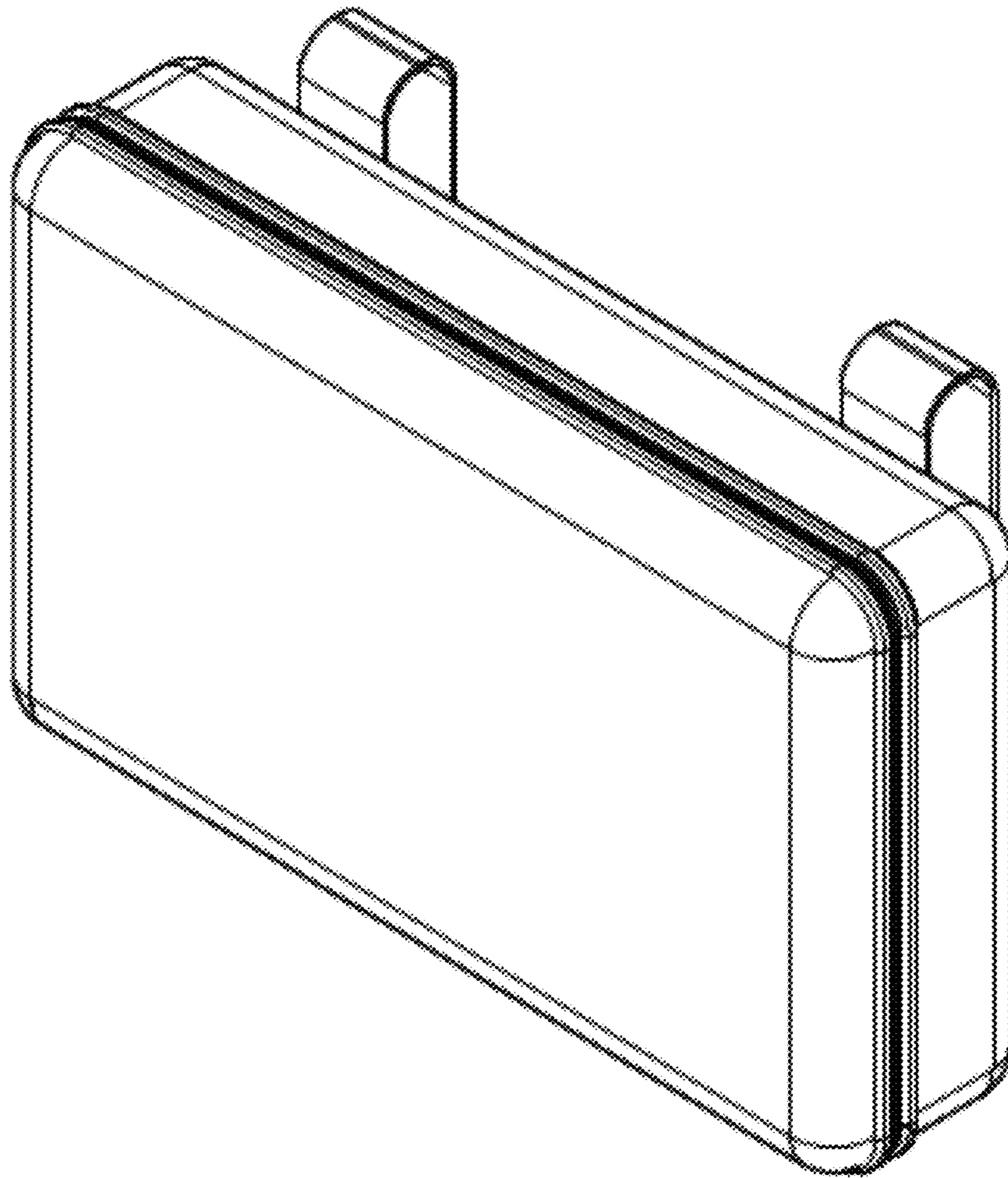


FIG. 2

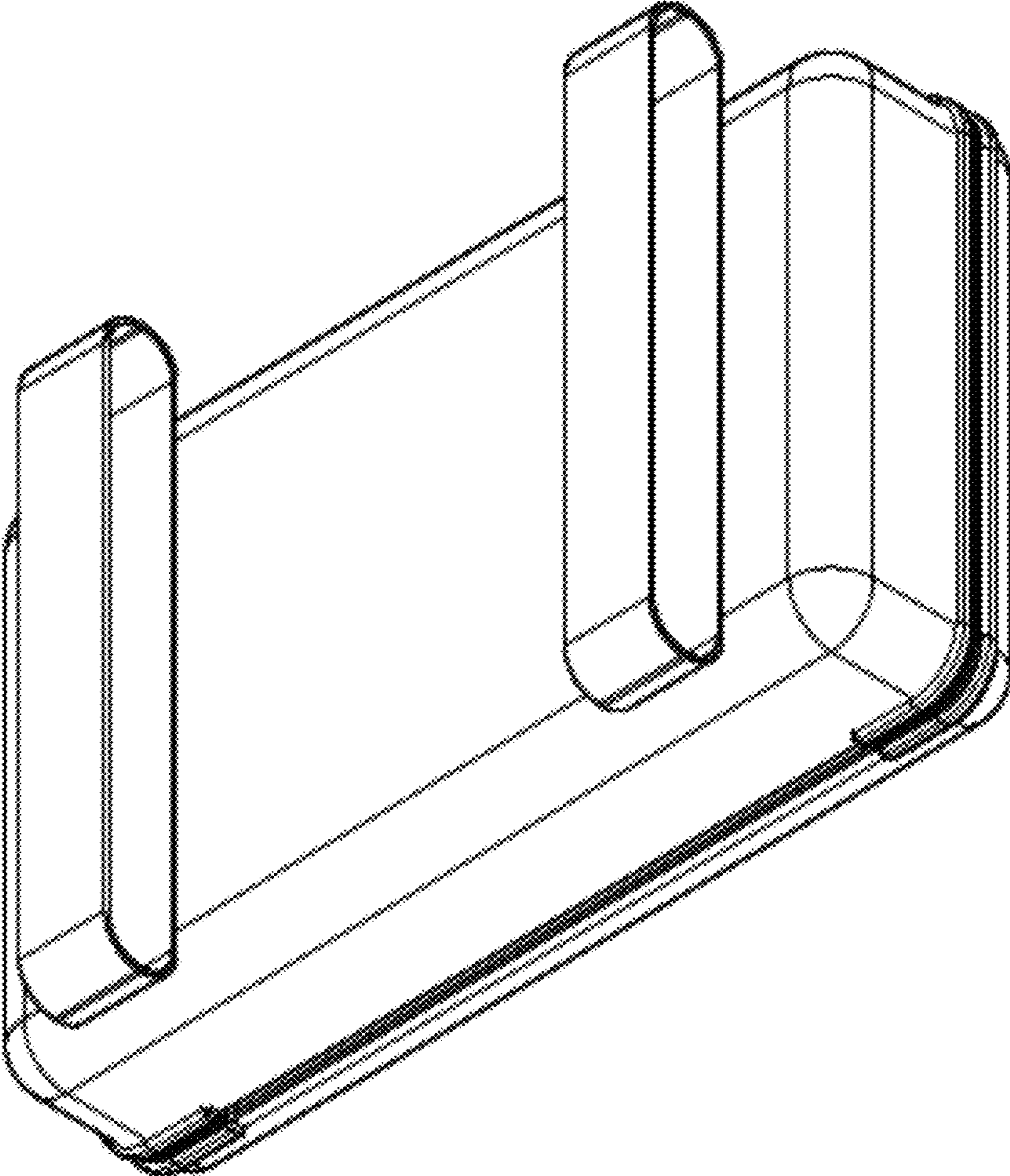


FIG. 3

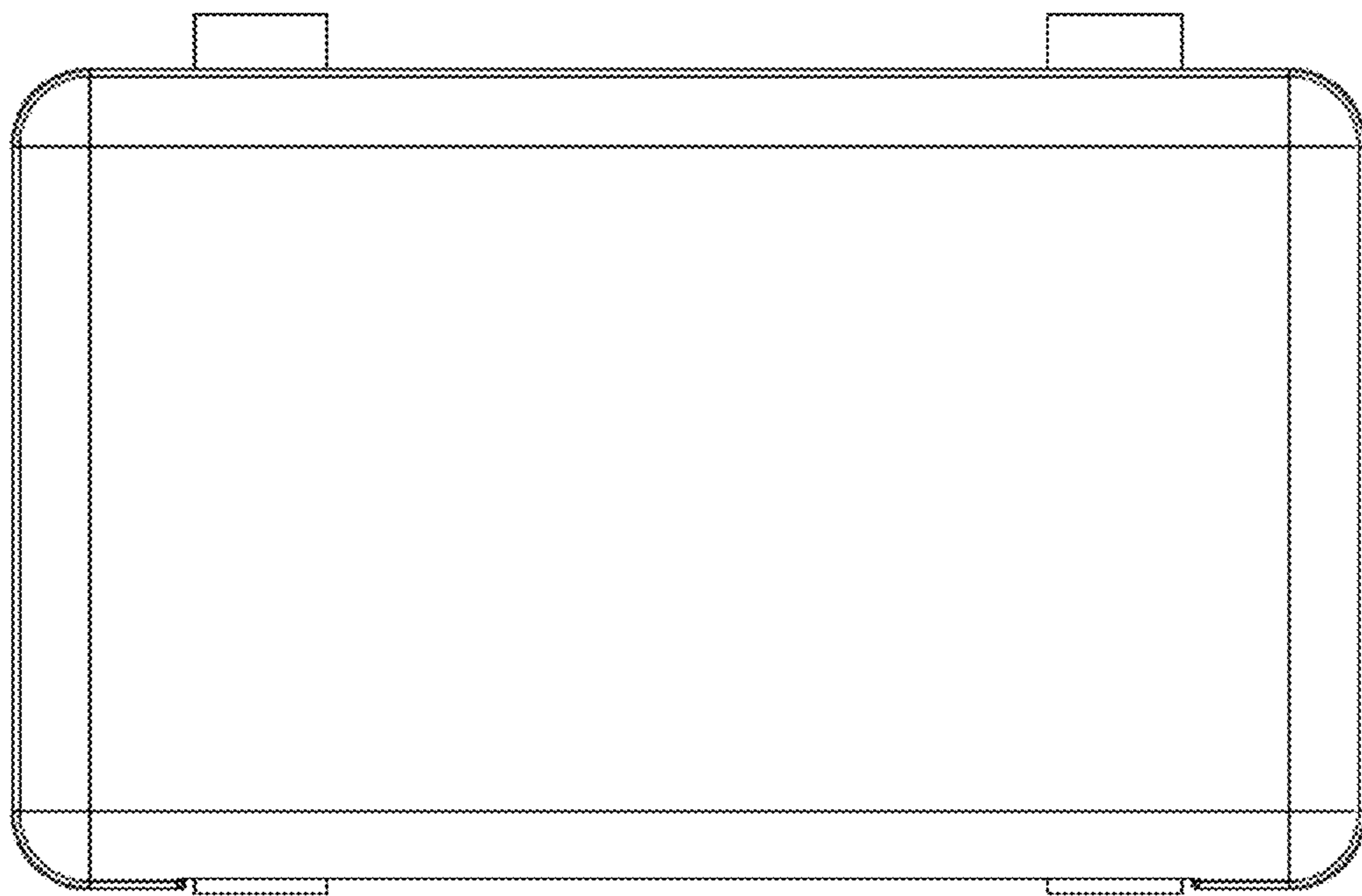


FIG. 4

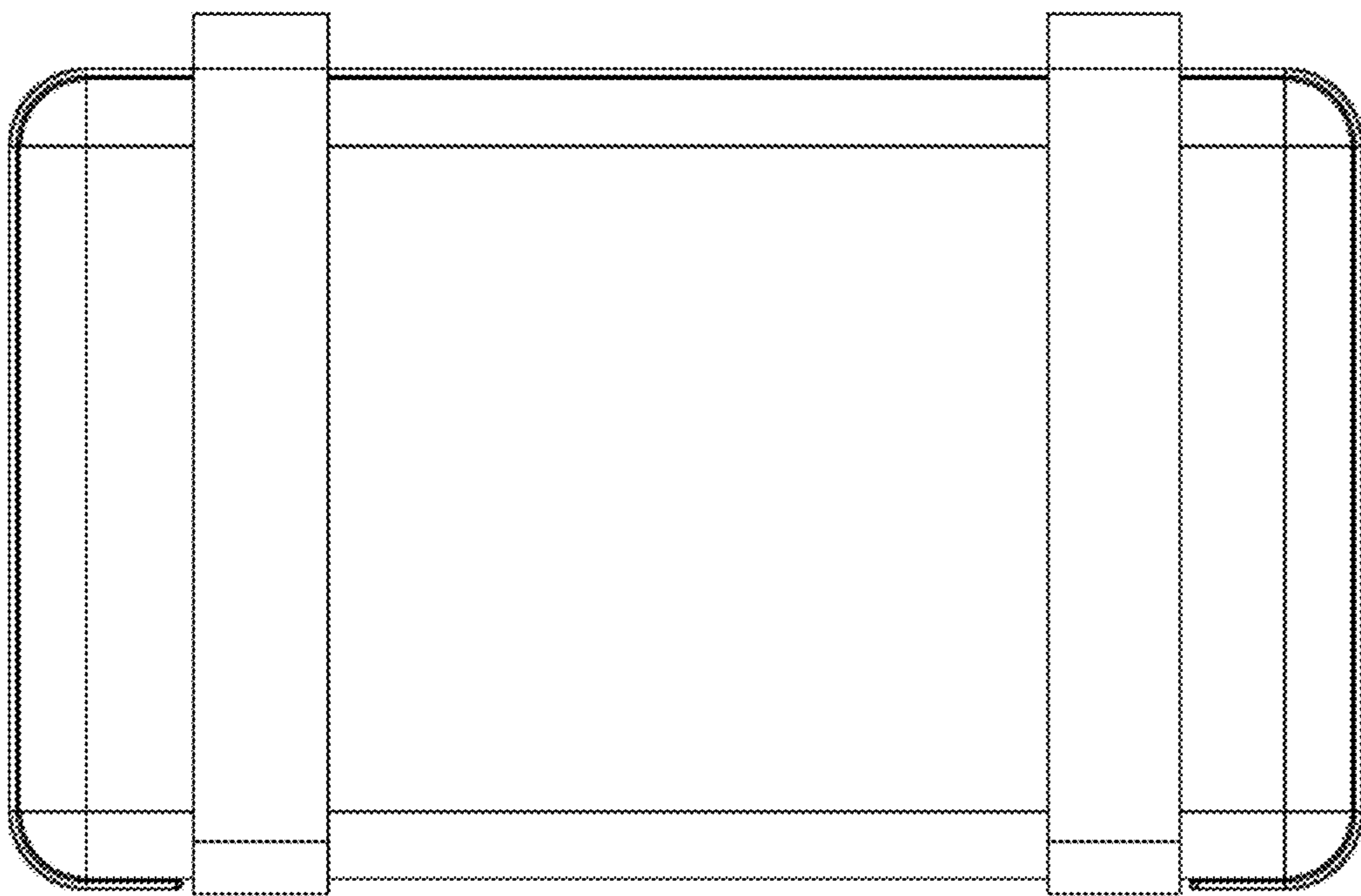


FIG. 5

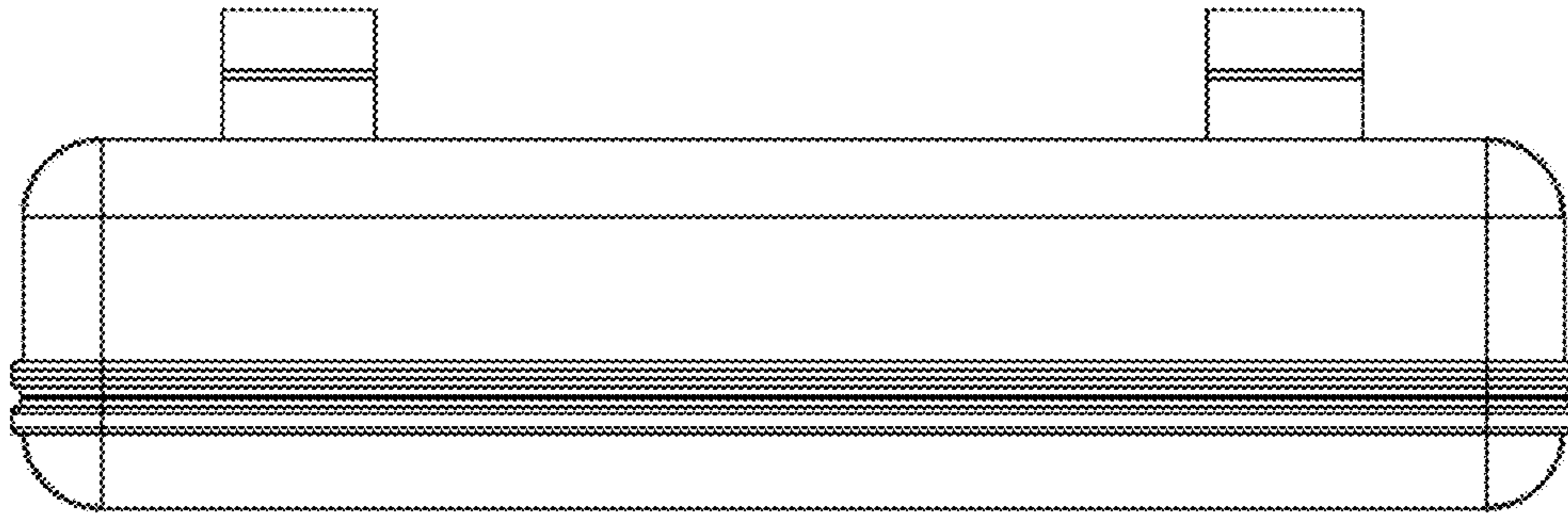


FIG. 6

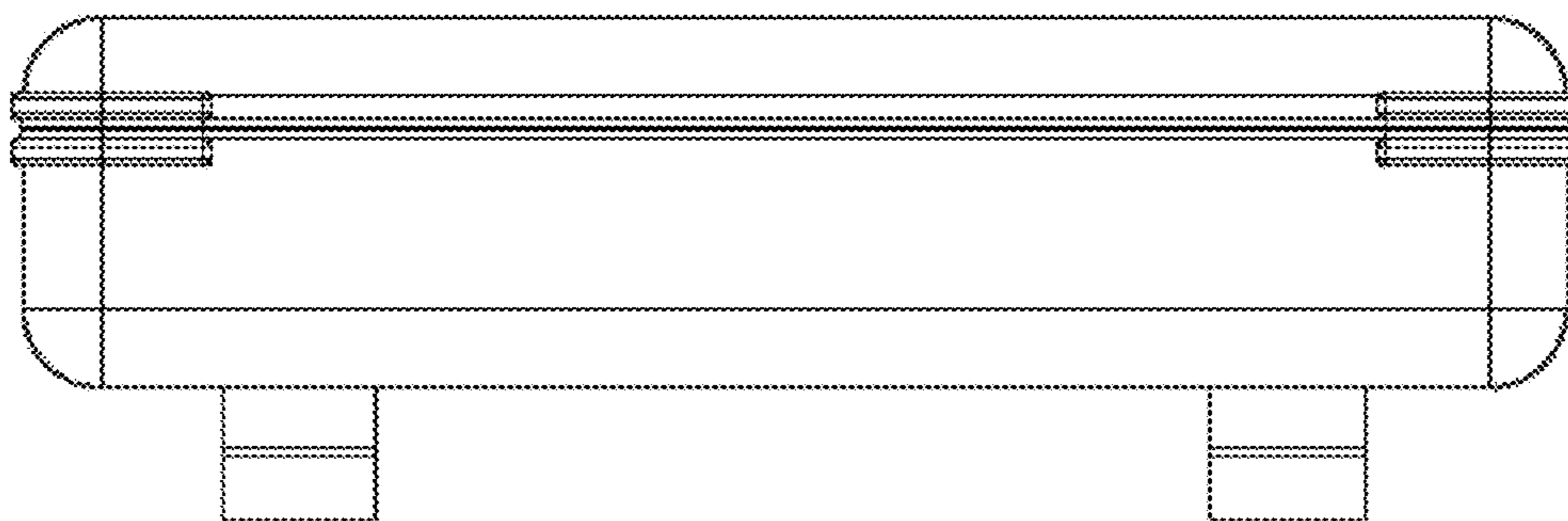


FIG. 7

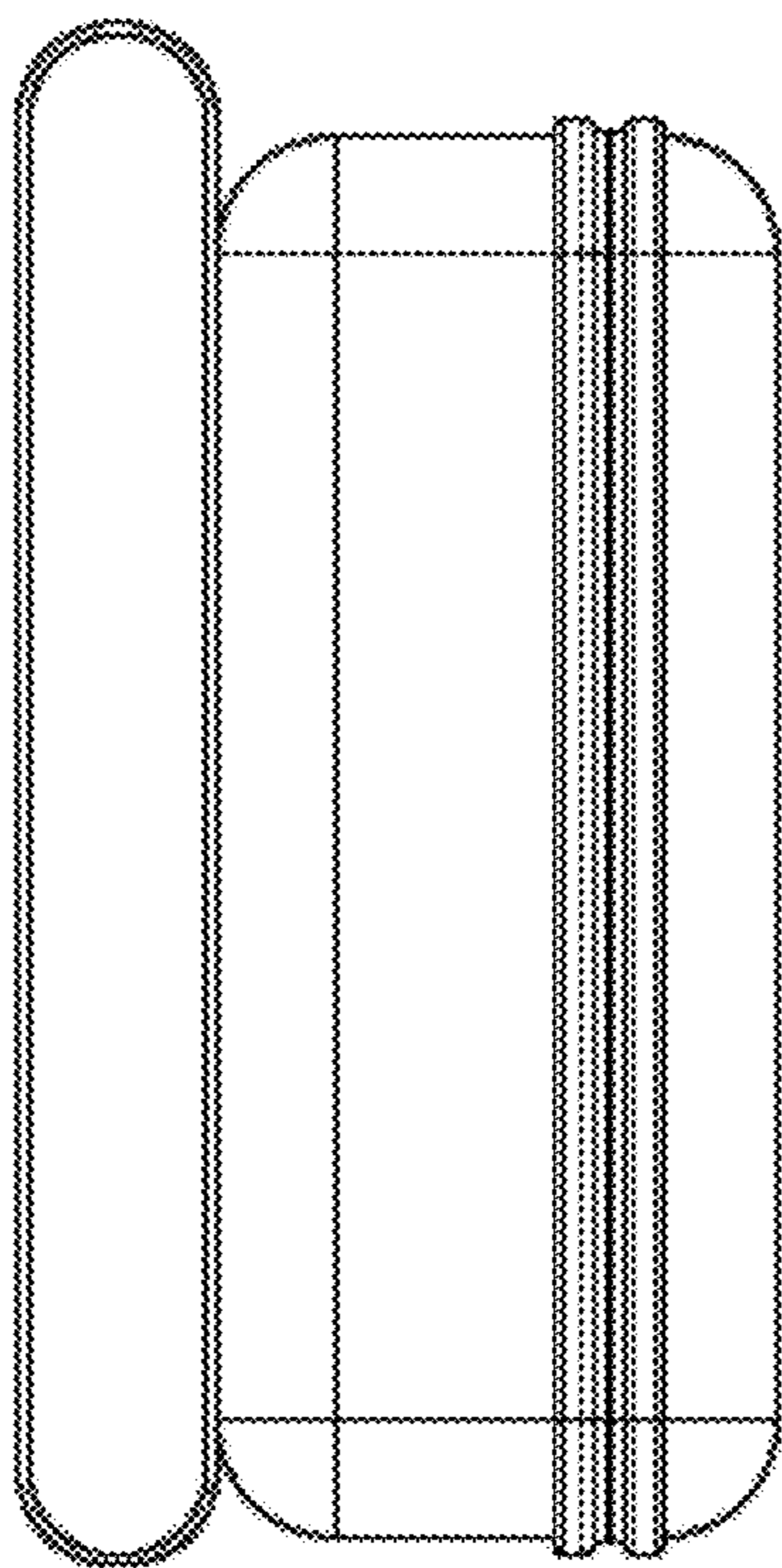


FIG. 8

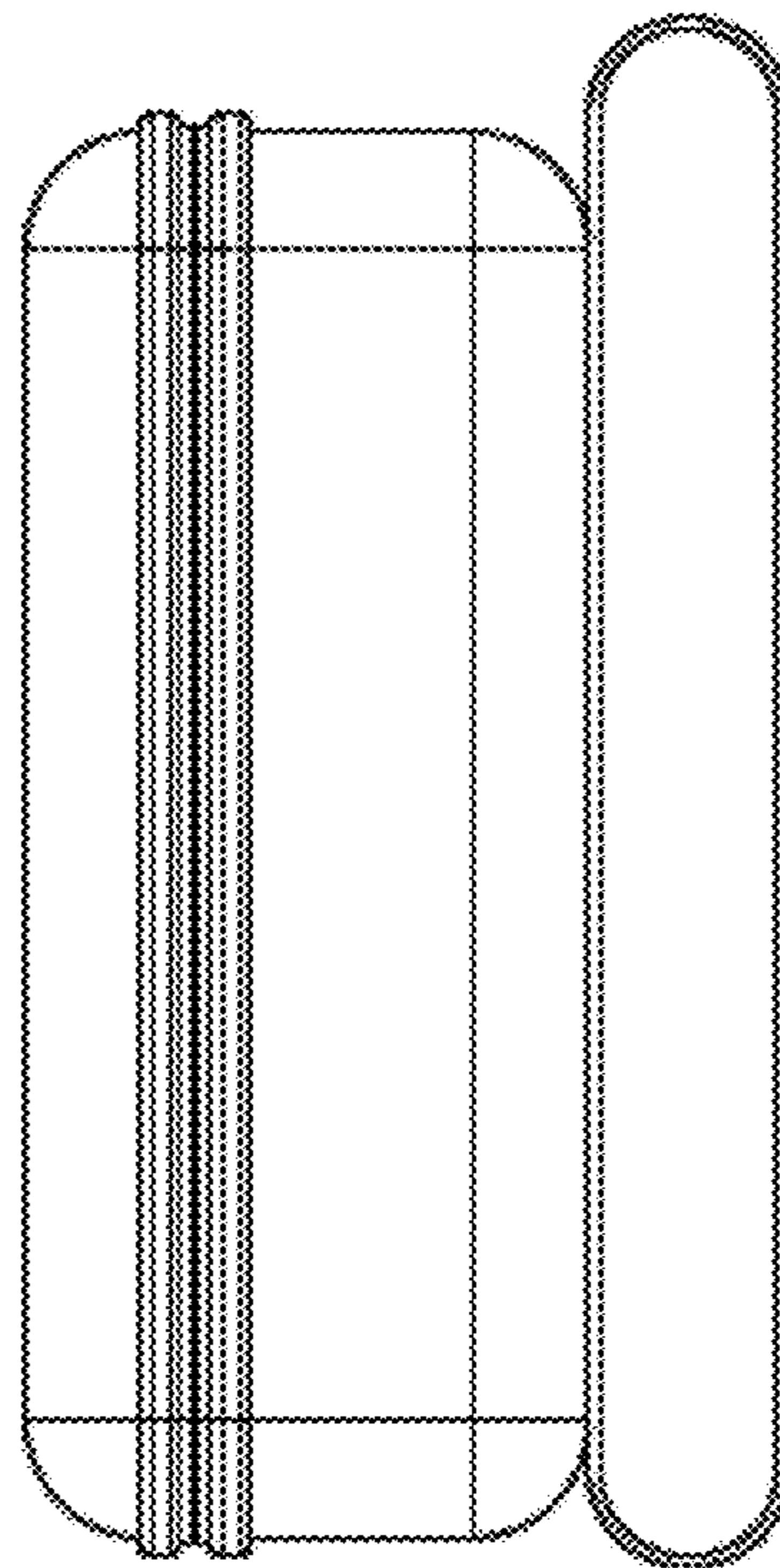


FIG. 9