



US00D728214S

(12) **United States Design Patent**
Harvey et al.

(10) **Patent No.:** **US D728,214 S**
(45) **Date of Patent:** **** May 5, 2015**

(54) **BUCKLE FOR FOOTWEAR**

(71) Applicants: **Paula Harvey**, New York, NY (US);
Laura Santisi, New York, NY (US)

(72) Inventors: **Paula Harvey**, New York, NY (US);
Laura Santisi, New York, NY (US)

(73) Assignee: **Coach, Inc.**, New York, NY (US)

(**) Term: **14 Years**

(21) Appl. No.: **29/461,363**

(22) Filed: **Jul. 22, 2013**

(51) **LOC (10) Cl.** **02-07**

(52) **U.S. Cl.**
USPC **D2/976**

(58) **Field of Classification Search**
CPC B66C 1/10; B66C 1/40; B66C 1/66;
F16G 13/06; F16G 15/06
USPC D2/508, 809, 827, 891, 892, 895, 899,
D2/918, 921, 922, 946, 964-966, 976;
D11/86, 93, 212, 231, 234, 237;
24/163 K, 163 R, 176, 188, 191-193;
36/136

See application file for complete search history.

(56) **References Cited**

U.S. PATENT DOCUMENTS

| | | | | |
|---------------|---------|--------------------|-------|--------|
| D82,014 S * | 9/1930 | Ashton | | D2/976 |
| D136,913 S * | 12/1943 | Keyes | | D2/922 |
| 3,564,736 A * | 2/1971 | Cunningham | | 36/1 |
| D547,034 S * | 7/2007 | Choi | | D2/946 |
| D582,143 S * | 12/2008 | Guers-Neyraud | | D2/971 |
| D591,939 S * | 5/2009 | Choi | | D2/946 |
| D601,335 S * | 10/2009 | Schwartz | | D2/971 |
| D603,155 S * | 11/2009 | Della Valle et al. | | D2/976 |
| D605,390 S * | 12/2009 | Guers-Neyraud | | D2/971 |
| D639,636 S | 6/2011 | Krakoff | | |

OTHER PUBLICATIONS

Coach, Inc., Handbag with turn lock design, designed in 1964 by Bonnie Cashin, Coach's first Creative Director; first offered for sale in the Coach Fall 1964 catalog.

Coach, Inc., Handbag with turn lock design and close up of turn lock, designed in 1964 by Bonnie Cashin, Coach's first Creative Director; first offered for sale in the Coach Fall 1964 catalog.

Coach, Inc., Close up of turn lock design, designed in 1964 by Bonnie Cashin, Coach's first Creative Director; first offered for sale in the Coach Fall 1964 catalog.

* cited by examiner

Primary Examiner — Derrick Holland

Assistant Examiner — Janice Lim

(74) *Attorney, Agent, or Firm* — Fross Zelnick Lehrman & Zissu, P.C.; Lawrence E. Apolzon, Esq.

(57) **CLAIM**

The ornamental design for buckle for footwear, as shown and described.

DESCRIPTION

FIG. 1 is a front perspective view of a shoe showing my new buckle design;

FIG. 2 is a right side view of the buckle for footwear shown in FIG. 1;

FIG. 3 is a left side view of the buckle for footwear shown in FIG. 1;

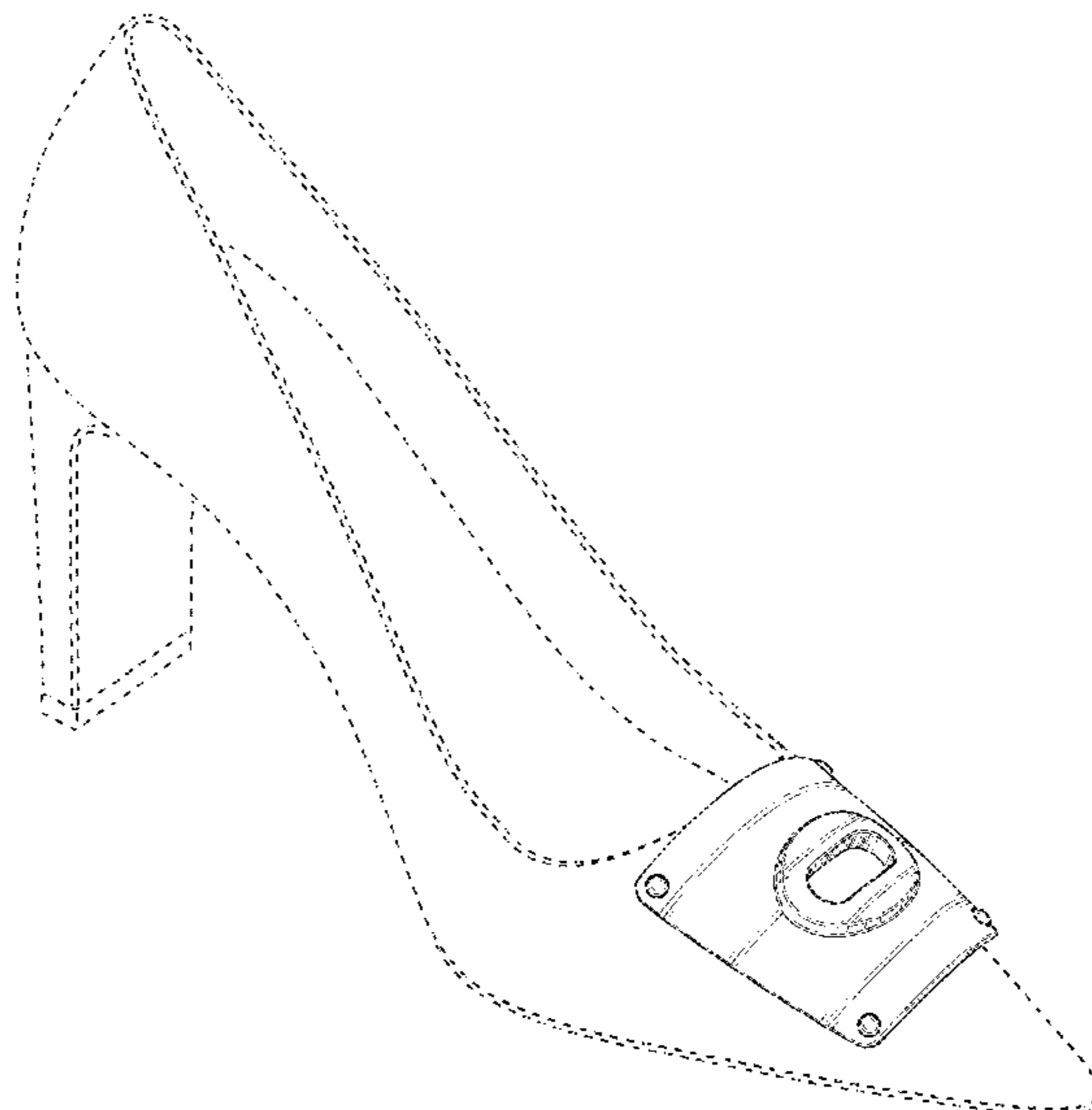
FIG. 4 is a front view of the buckle for footwear shown in FIG. 1;

FIG. 5 is a rear view of the buckle for footwear shown in FIG. 1; and,

FIG. 6 is a top view of the buckle for footwear shown in FIG. 1.

The broken line showing of the sole, heel, heel cap, footbed, and portions of the shoe upper in the relevant drawings shows unclaimed subject matter for the design in those drawings.

1 Claim, 5 Drawing Sheets



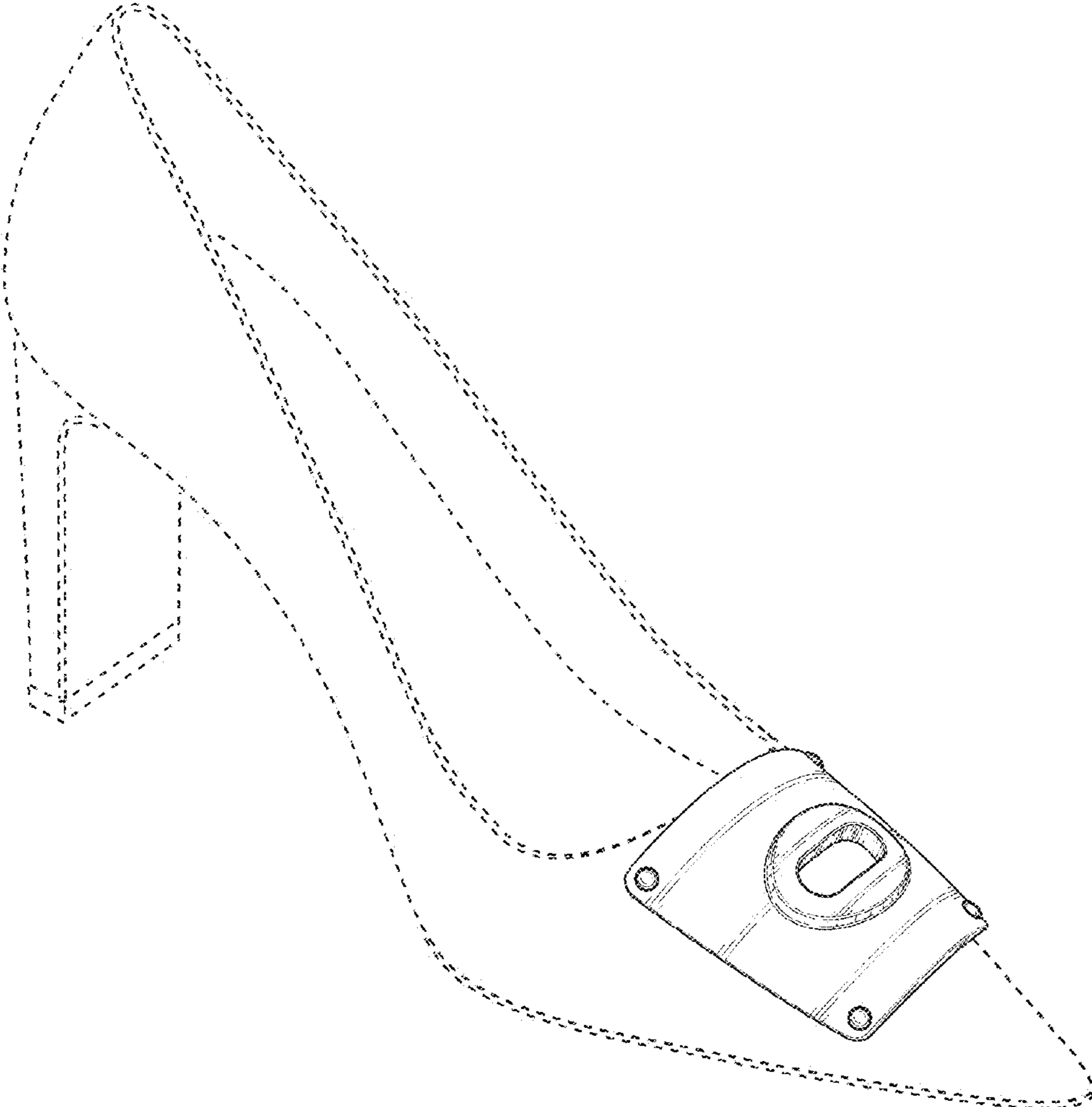


FIG. 1

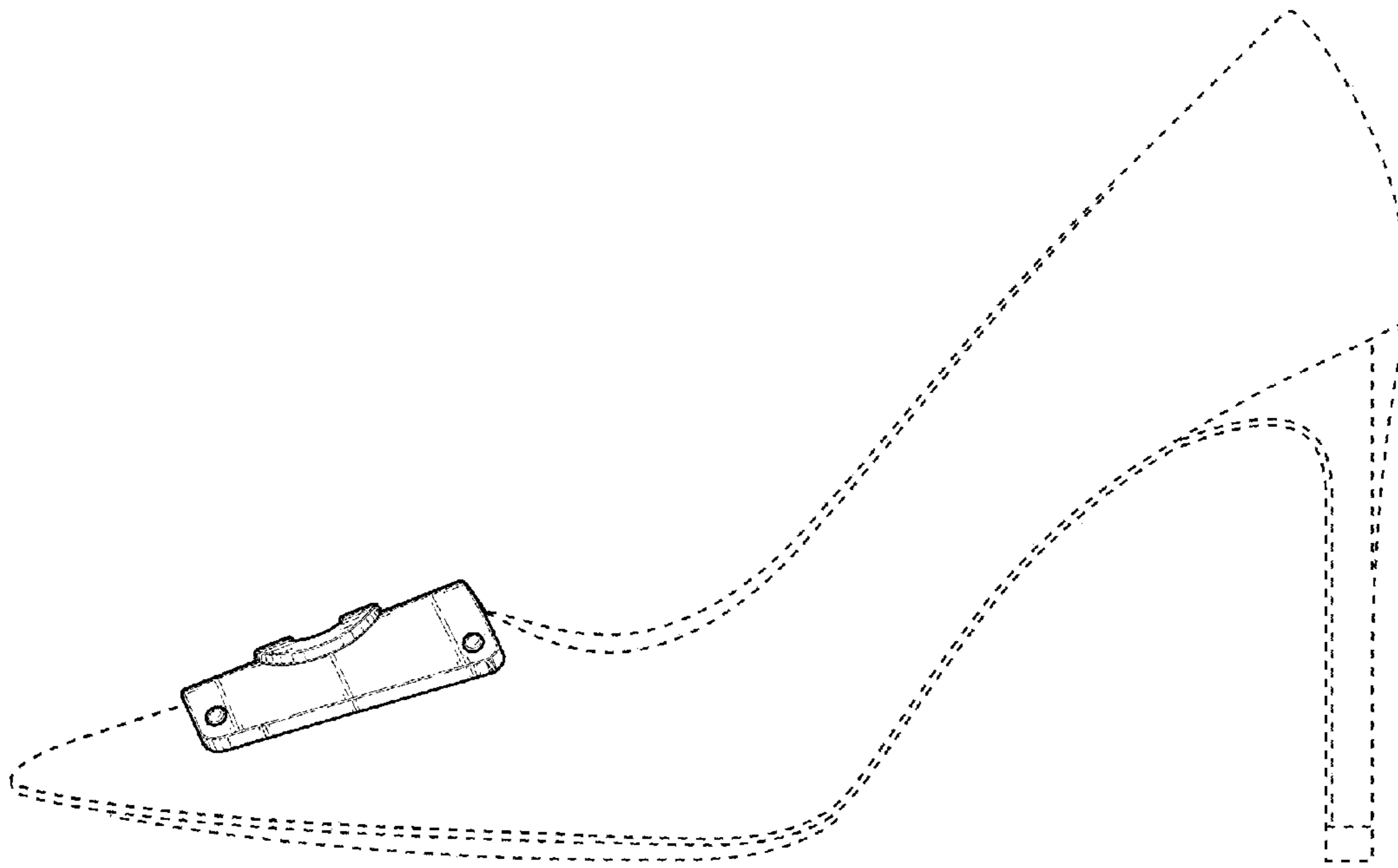


FIG. 2

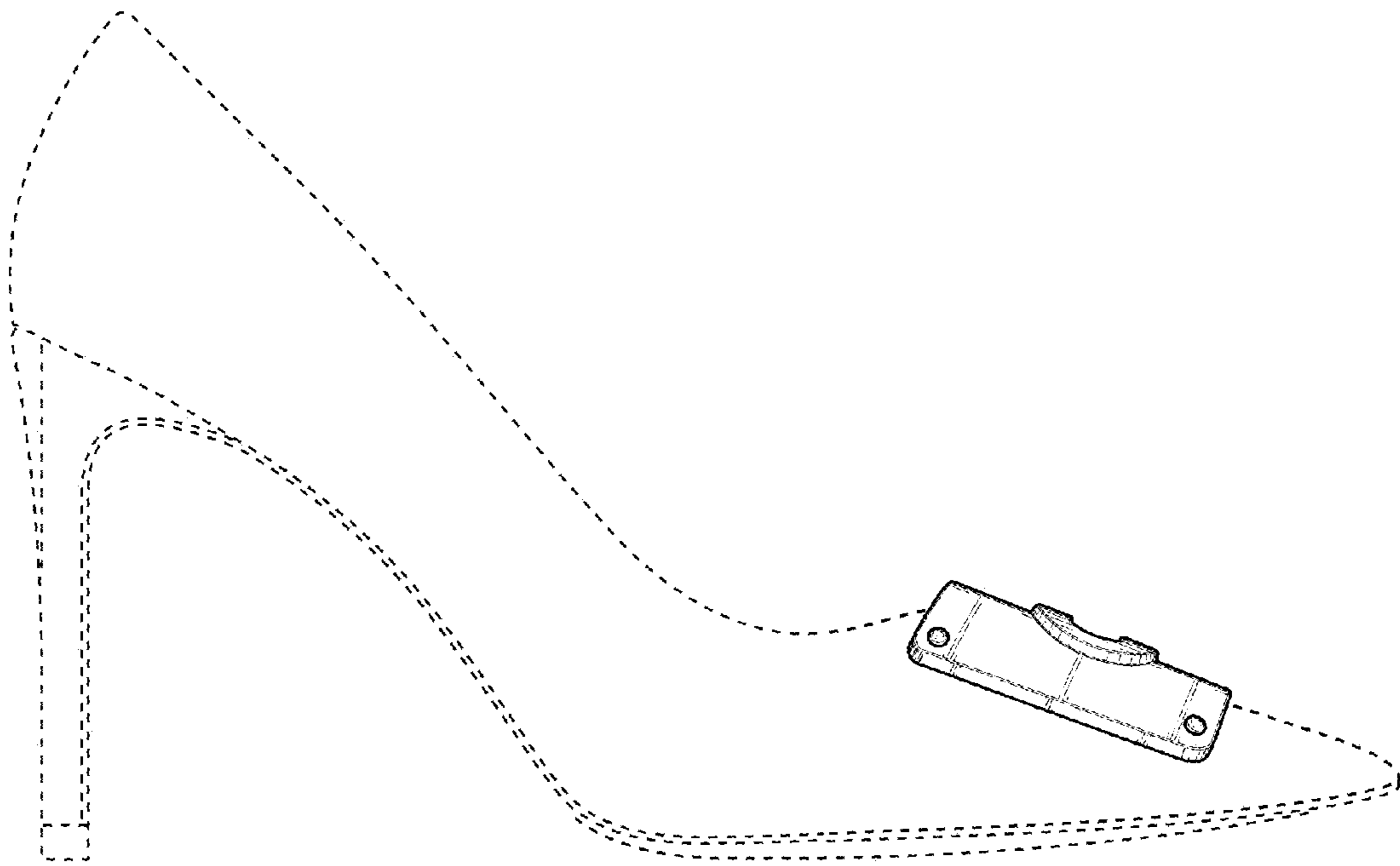


FIG. 3

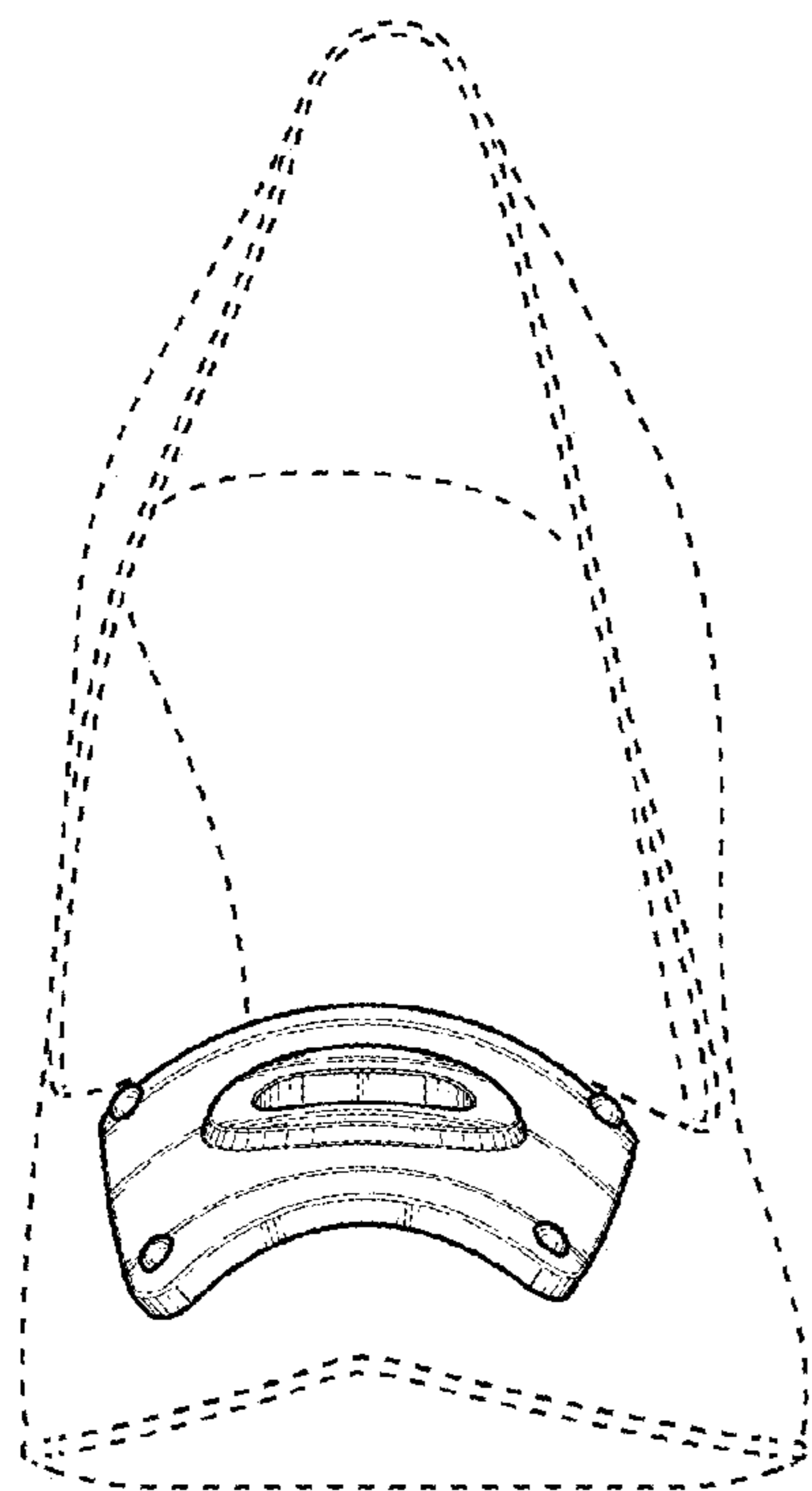


FIG. 4

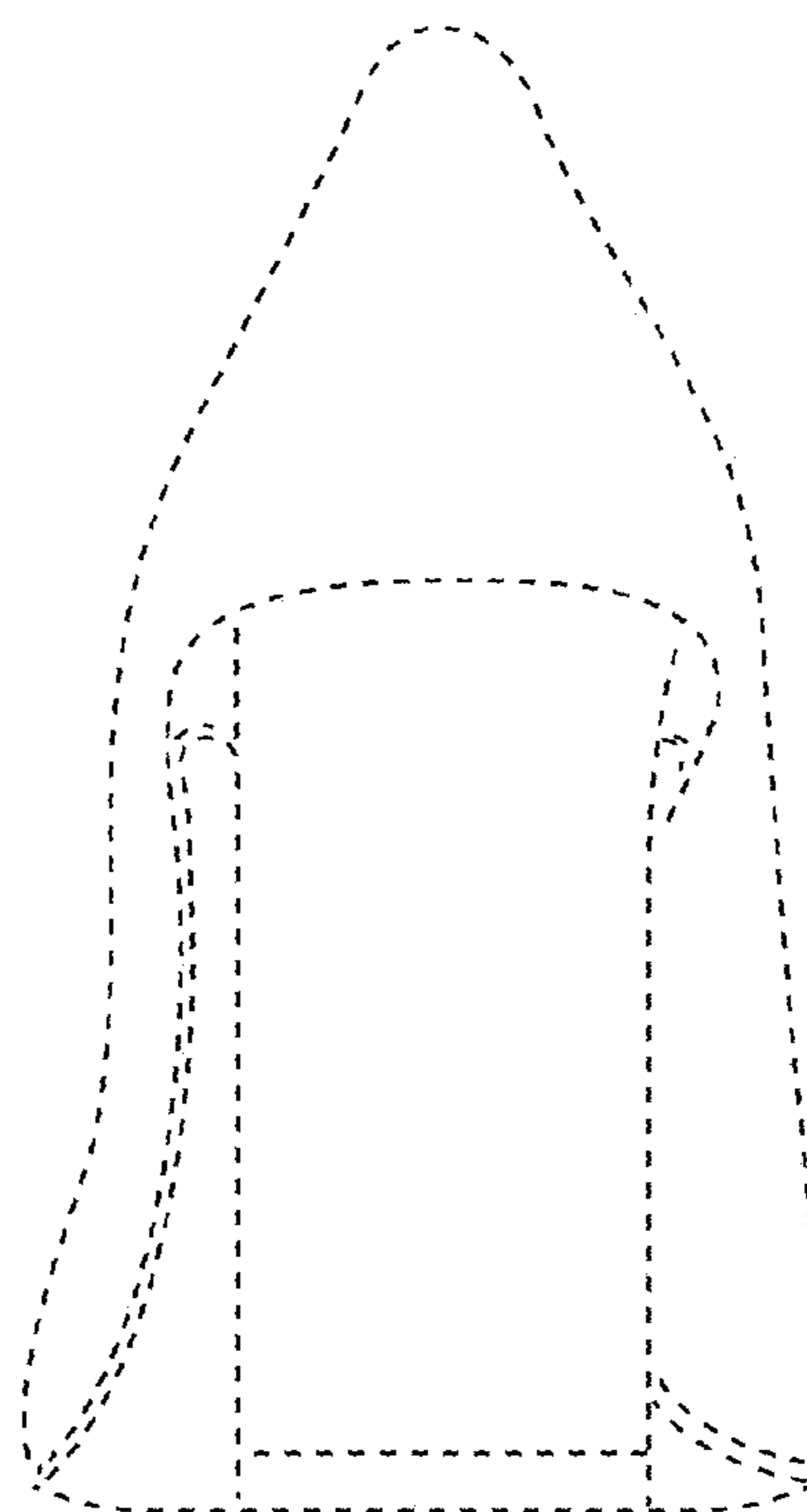


FIG. 5

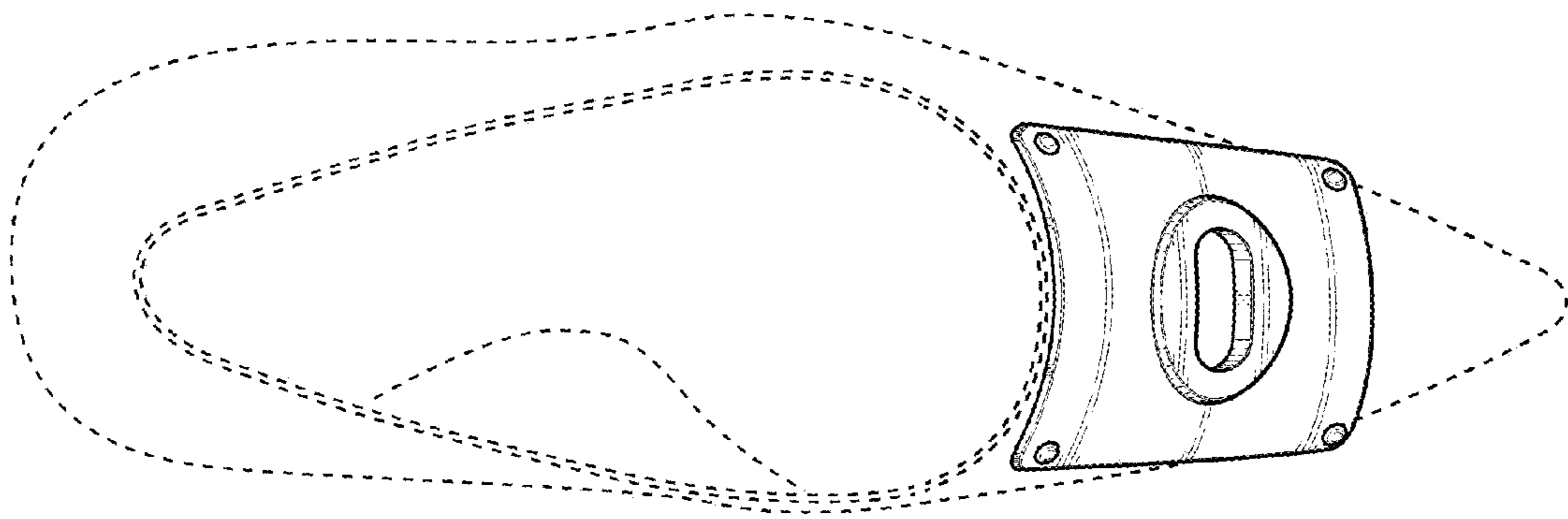


FIG. 6