



US00D728204S

(12) **United States Design Patent**  
**Fongher**

(10) **Patent No.:** **US D728,204 S**  
(45) **Date of Patent:** **\*\* May 5, 2015**

(54) **FOOTWEAR**  
(71) Applicant: **Crocs, Inc.**, Niwot, CO (US)  
(72) Inventor: **Federico Fongher**, Villatora di Saonara (IT)  
(73) Assignee: **Crocs, Inc.**, Niwot, CO (US)

D564,204 S 3/2008 Seamans  
D564,205 S 3/2008 Seamans  
D564,207 S 3/2008 Seamans  
D564,208 S 3/2008 Seamans  
D564,749 S 3/2008 Seamans  
D567,482 S \* 4/2008 Hoyt ..... D2/896  
D567,483 S 4/2008 Liow  
D573,778 S 7/2008 Hawker

(Continued)

(\*\*) Term: **14 Years**

**FOREIGN PATENT DOCUMENTS**

(21) Appl. No.: **29/479,967**

EM 0000611220001 A 8/2003  
GB 2322286 A 8/1998

(22) Filed: **Jan. 22, 2014**

(Continued)

(51) **LOC (10) Cl.** ..... **02-04**

**OTHER PUBLICATIONS**

(52) **U.S. Cl.**

USPC ..... **D2/900**

Buddy by Calzuro: A New Born in the Calzuro's Family, <http://www.calzuro.it/news.php?lang=en&id=20> (May 13, 2009) (6 pages).

(58) **Field of Classification Search**

USPC ..... D2/896, 900, 916, 917, 923, 943, 946,  
D2/969, 972, 976; 36/45, 8, 100, 88, 102,  
36/112, 113, 3 A, 3 R, 7.4, 11.5, 4, 87, 7.5  
See application file for complete search history.

(Continued)

*Primary Examiner* — Ian Simmons

*Assistant Examiner* — Rashida C McCoy

(56) **References Cited**

(74) *Attorney, Agent, or Firm* — Faegre Baker Daniels LLP

**U.S. PATENT DOCUMENTS**

(57) **CLAIM**

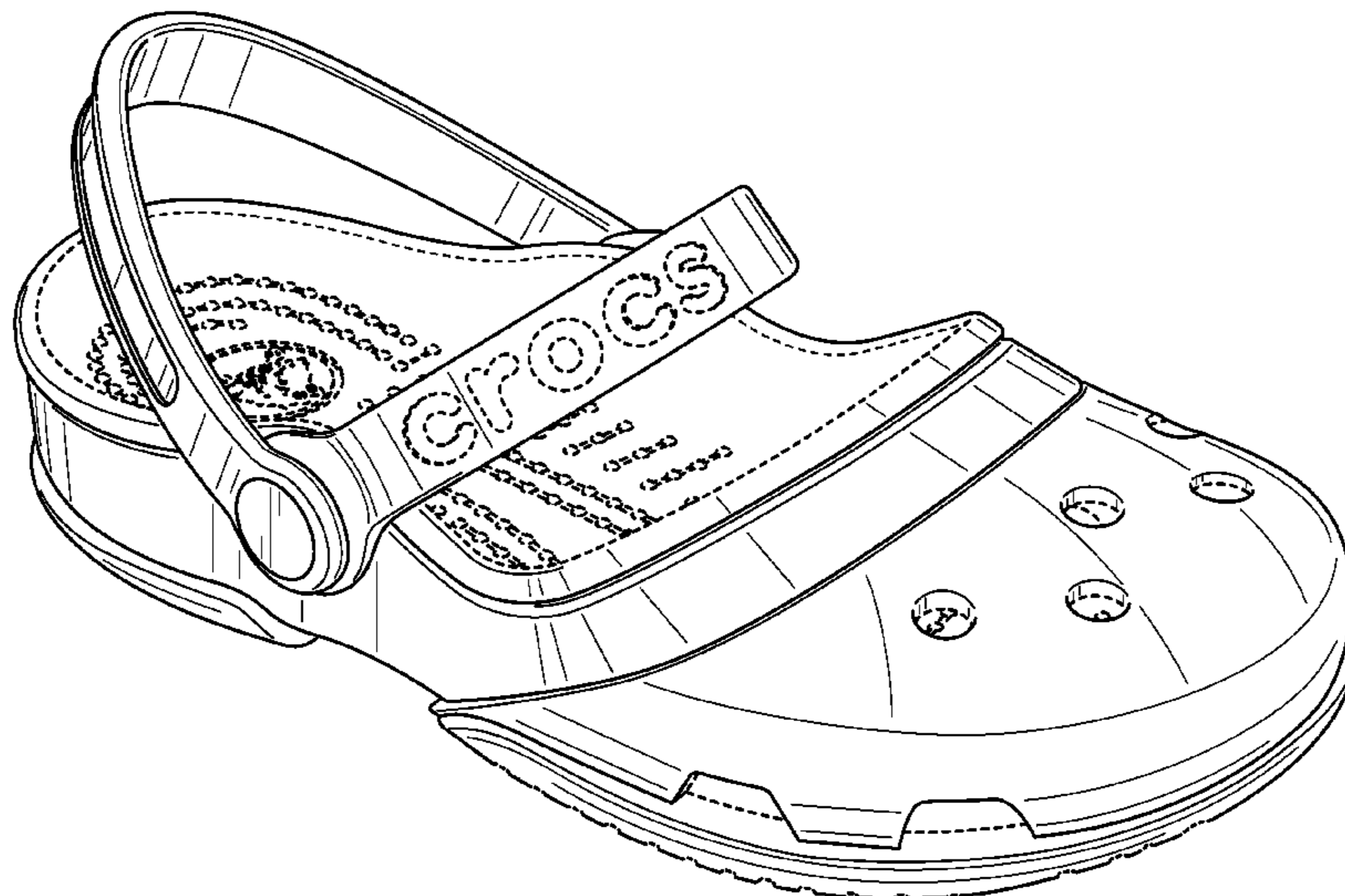
The ornamental design for footwear, as shown and described.

D473,040 S 4/2003 Hawker et al.  
D498,901 S 11/2004 Hawker et al.  
6,993,858 B2 2/2006 Seamans  
D517,788 S 3/2006 Seamans  
D517,789 S 3/2006 Seamans  
D517,790 S 3/2006 Seamans  
D525,419 S 7/2006 Seamans  
D529,263 S 10/2006 Wolf  
7,146,751 B2 12/2006 Seamans  
D535,088 S 1/2007 Seamans  
D543,341 S 5/2007 Seamans  
D543,681 S 6/2007 McCarthy  
D545,032 S 6/2007 Wolf  
D545,033 S 6/2007 Wolf  
D561,982 S 2/2008 Hoyt  
D563,082 S 3/2008 Seamans

**DESCRIPTION**

FIG. 1 is a front perspective view of footwear;  
FIG. 2 is a front view thereof;  
FIG. 3 is a back view thereof;  
FIG. 4 is an outer side view thereof;  
FIG. 5 is an inner side view thereof;  
FIG. 6 is a top view thereof; and,  
FIG. 7 is a bottom view thereof.  
The broken lines in the drawings represent unclaimed subject matter and form no part of the claim.

**1 Claim, 7 Drawing Sheets**



(56)

References Cited

U.S. PATENT DOCUMENTS

D575,480 S \* 8/2008 Zimmerman ..... D2/896  
D575,937 S 9/2008 Klavano  
D578,743 S 10/2008 Liow  
D579,182 S 10/2008 Klavano  
D579,651 S 11/2008 Hearn  
D584,032 S 1/2009 Jarosik  
D584,037 S 1/2009 Del Biondi et al.  
D590,588 S 4/2009 Del Biondi et al.  
D593,287 S 6/2009 Del Biondi et al.  
D599,538 S 9/2009 Del Biondi et al.  
D600,907 S 9/2009 Boyd et al.  
D610,784 S \* 3/2010 Del Biondi ..... D2/916  
D618,448 S \* 6/2010 Hill et al. .... D2/969  
D624,733 S \* 10/2010 O'Boyle et al. .... D2/923  
D642,773 S \* 8/2011 Liow ..... D2/923  
D650,157 S \* 12/2011 Liow ..... D2/923  
D698,133 S \* 1/2014 Callegarini et al. .... D2/923  
2004/0231189 A1 11/2004 Seamans

2004/0231190 A1 11/2004 Seamans  
2004/0231191 A1 11/2004 Seamans  
2006/0048407 A1 3/2006 Seamans  
2007/0130797 A1 6/2007 Seamans

FOREIGN PATENT DOCUMENTS

JP 1468014 S 3/2013  
WO WO2004105531 A1 12/2004  
WO WO2004105534 A2 12/2004

OTHER PUBLICATIONS

Crocs: Cayman, <http://www.crocs.com/crocs-cayman/10001,default,pd.html?q=cayman> (Nov. 3, 2009) (6 pages) (depicting Cayman shoe on sale in the US more than one year before Feb. 23, 2009).  
U.S. Appl. No. 29/433,424, filed Sep. 28, 2012.  
U.S. Appl. No. 29/433,423, filed Sep. 28, 2012.

\* cited by examiner

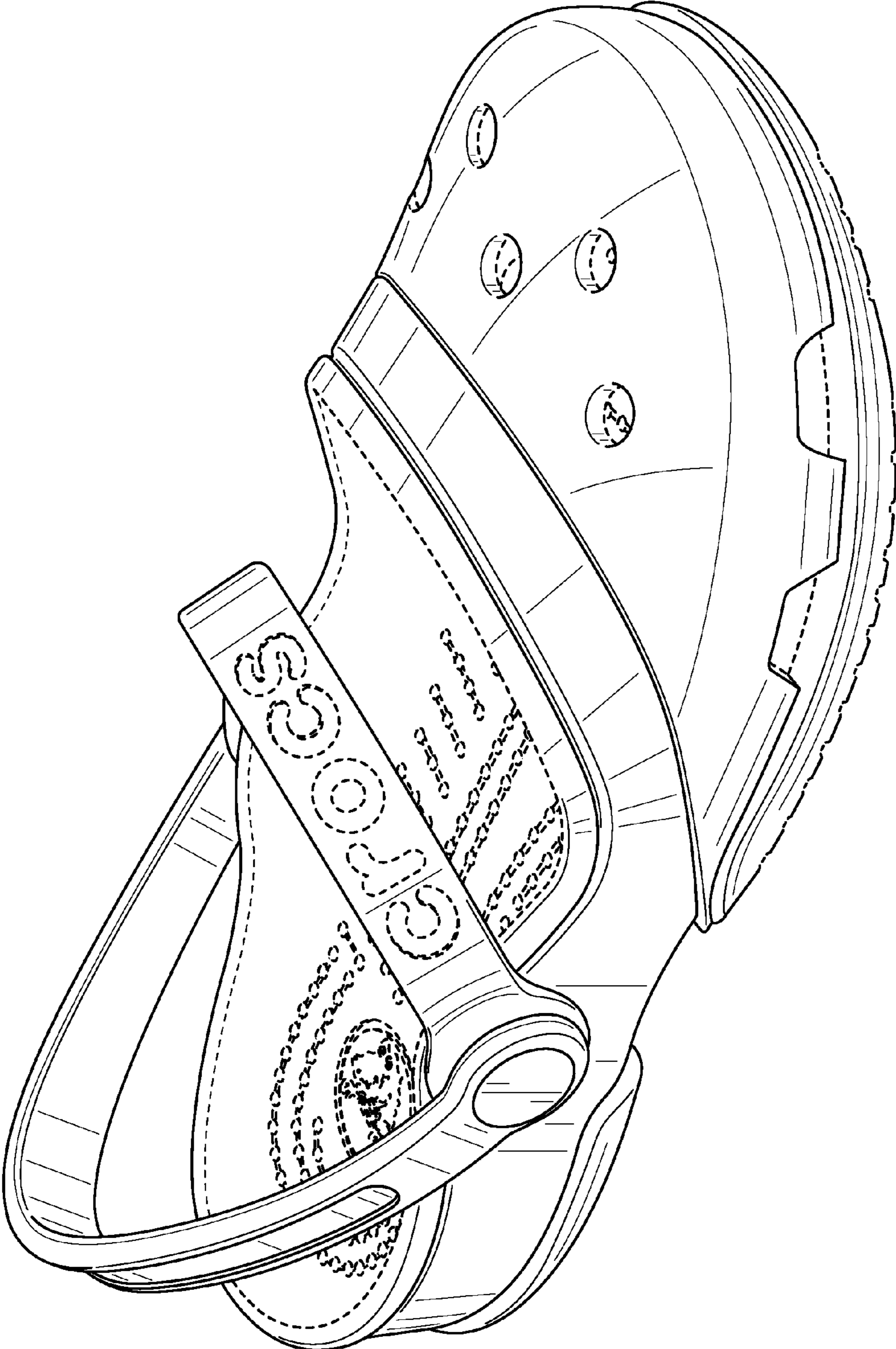


FIG. 1

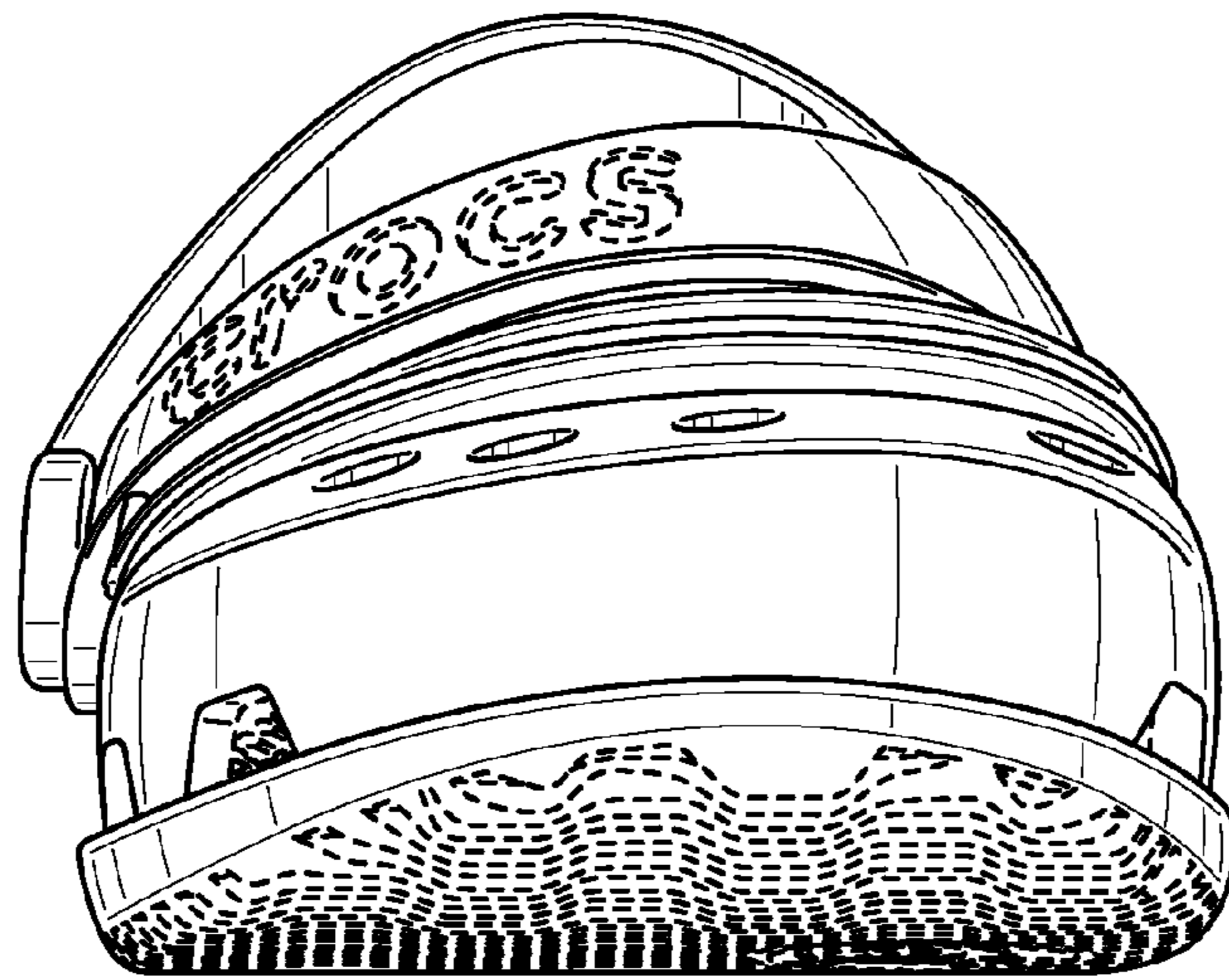


FIG. 2

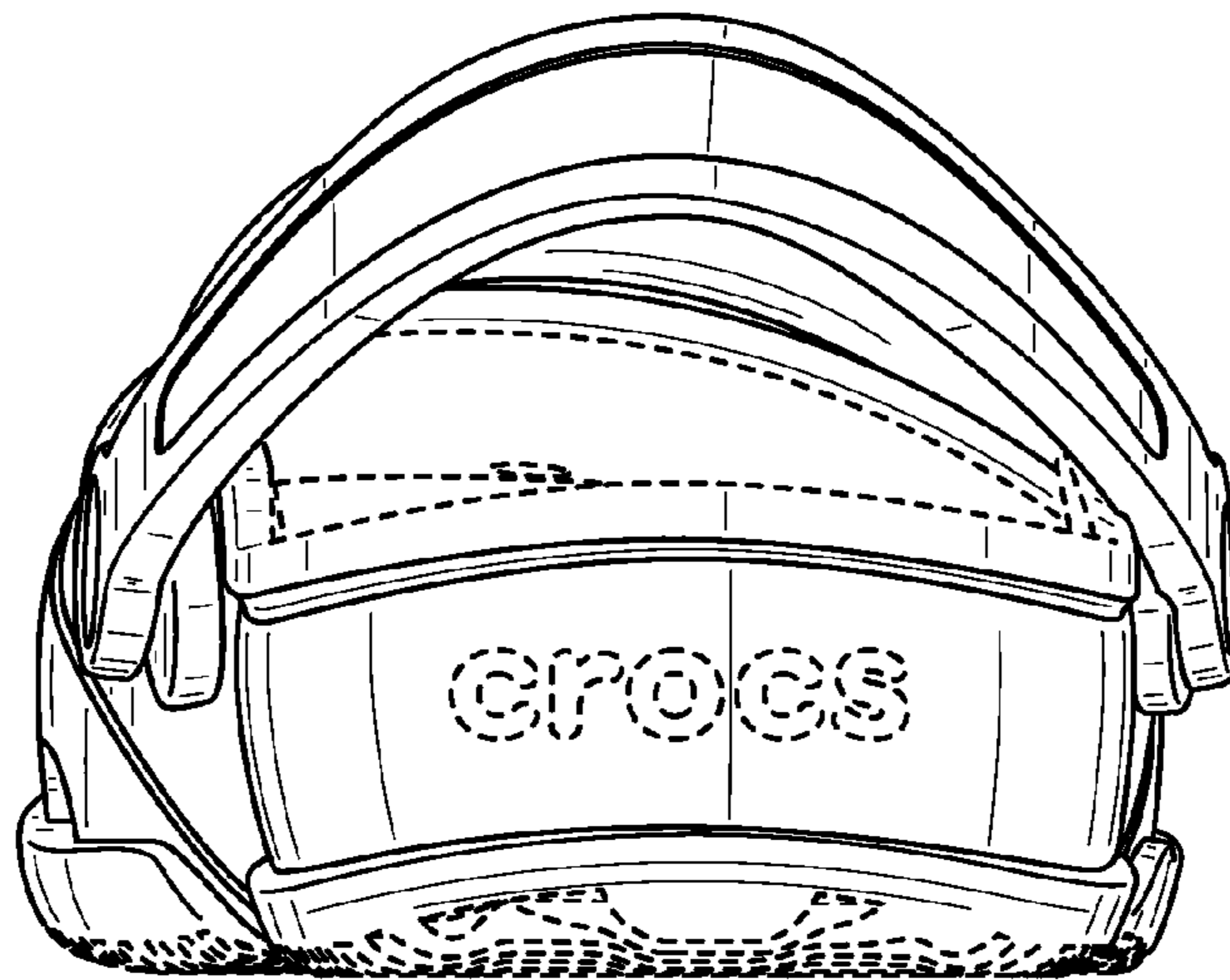


FIG. 3

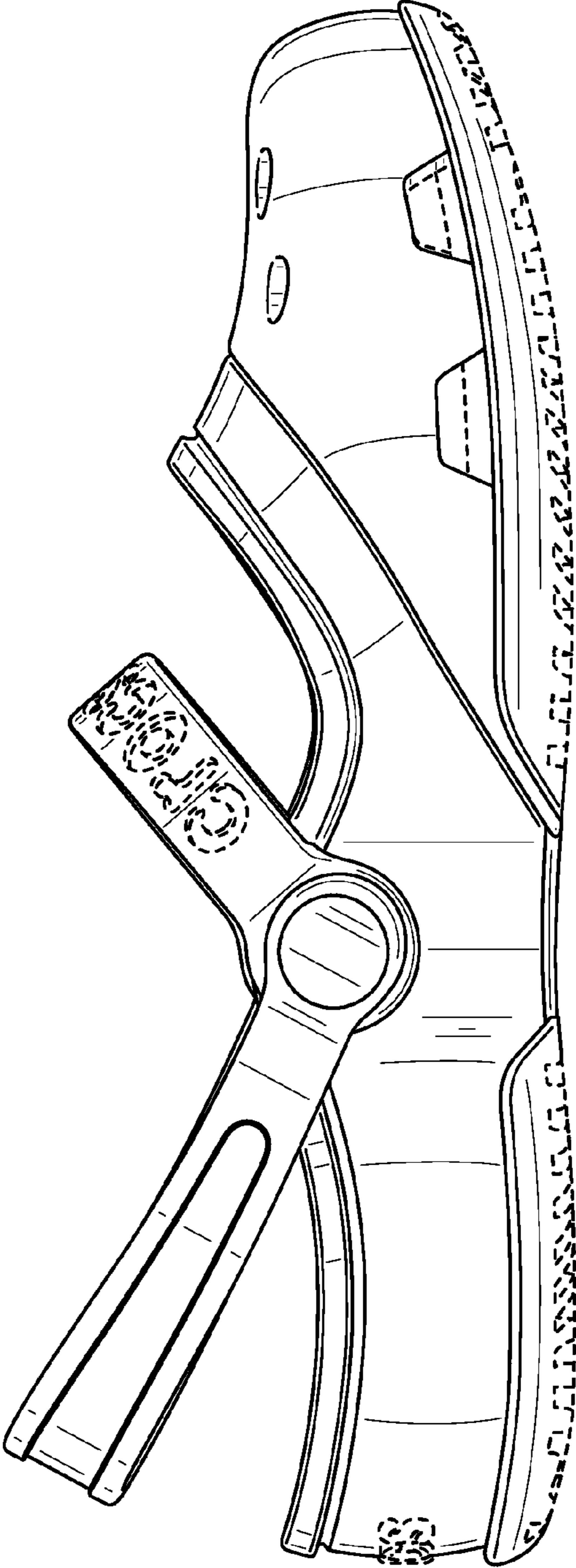


FIG. 4

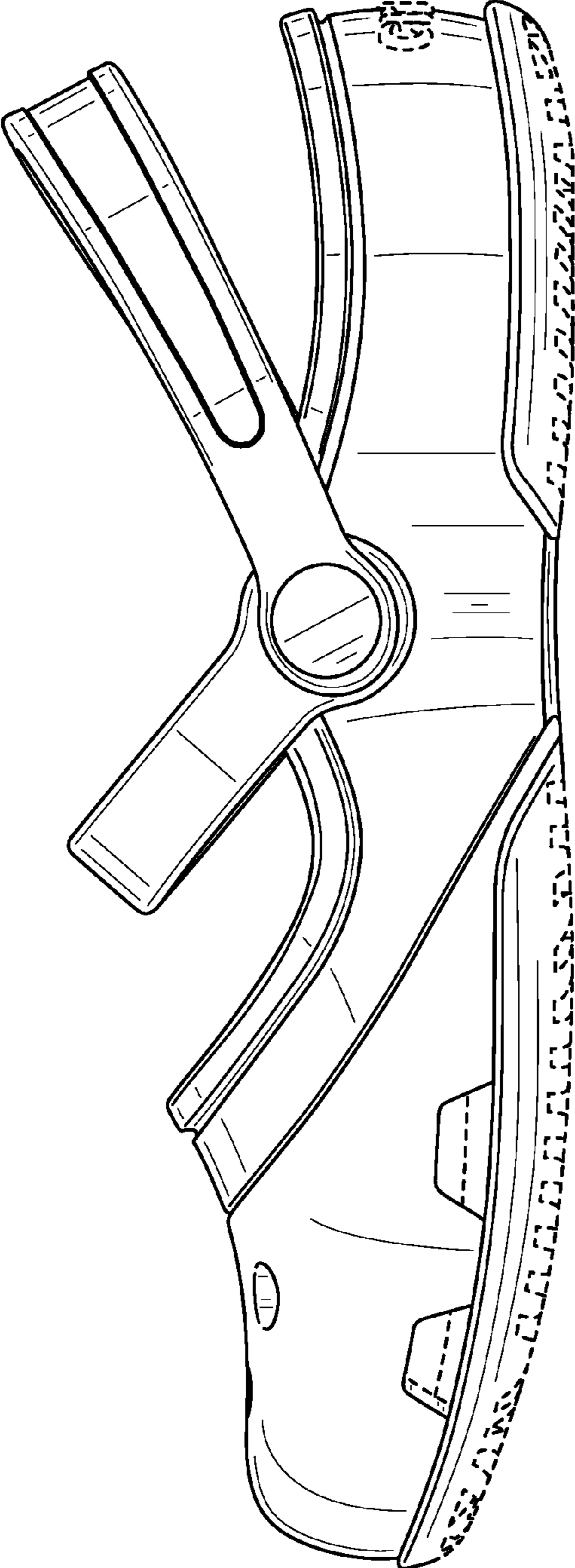


FIG. 5

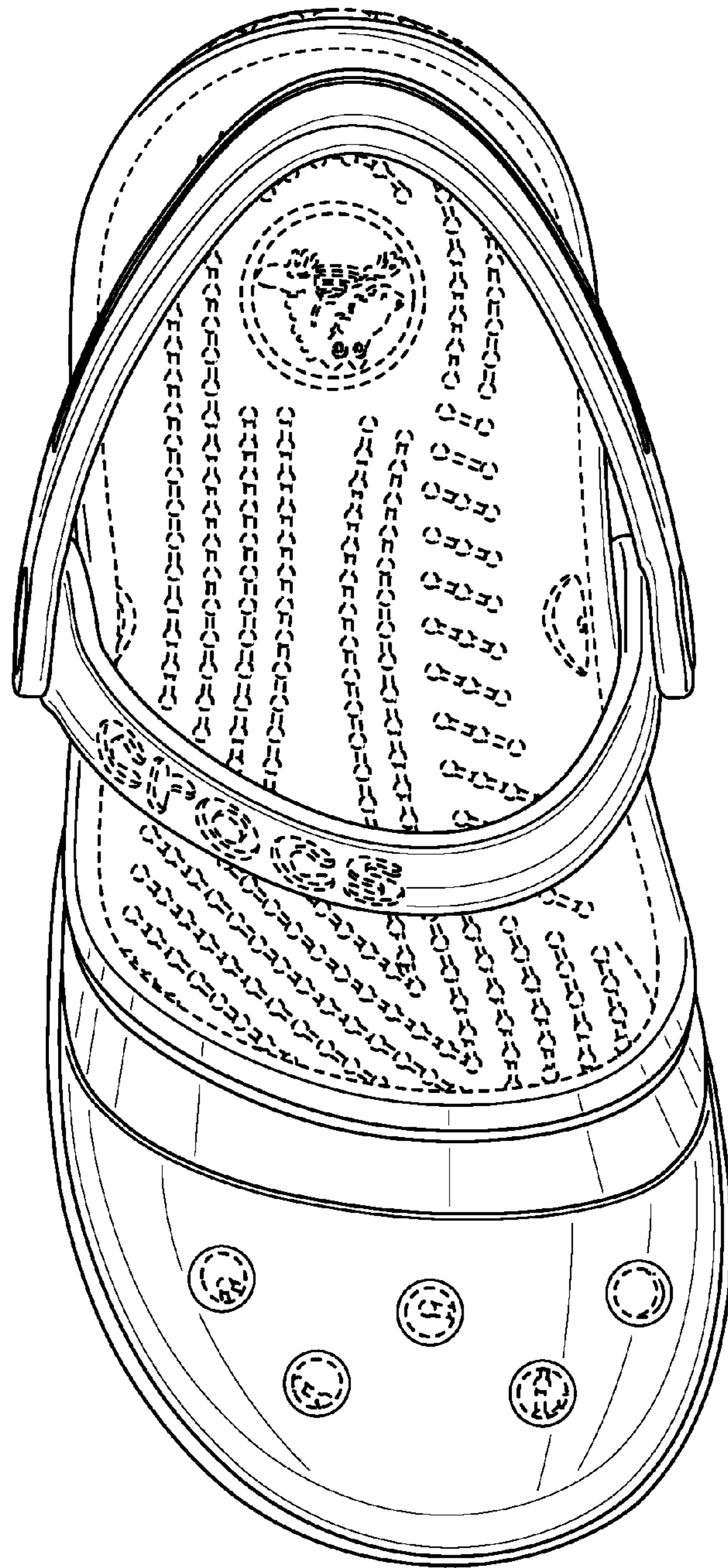


FIG. 6



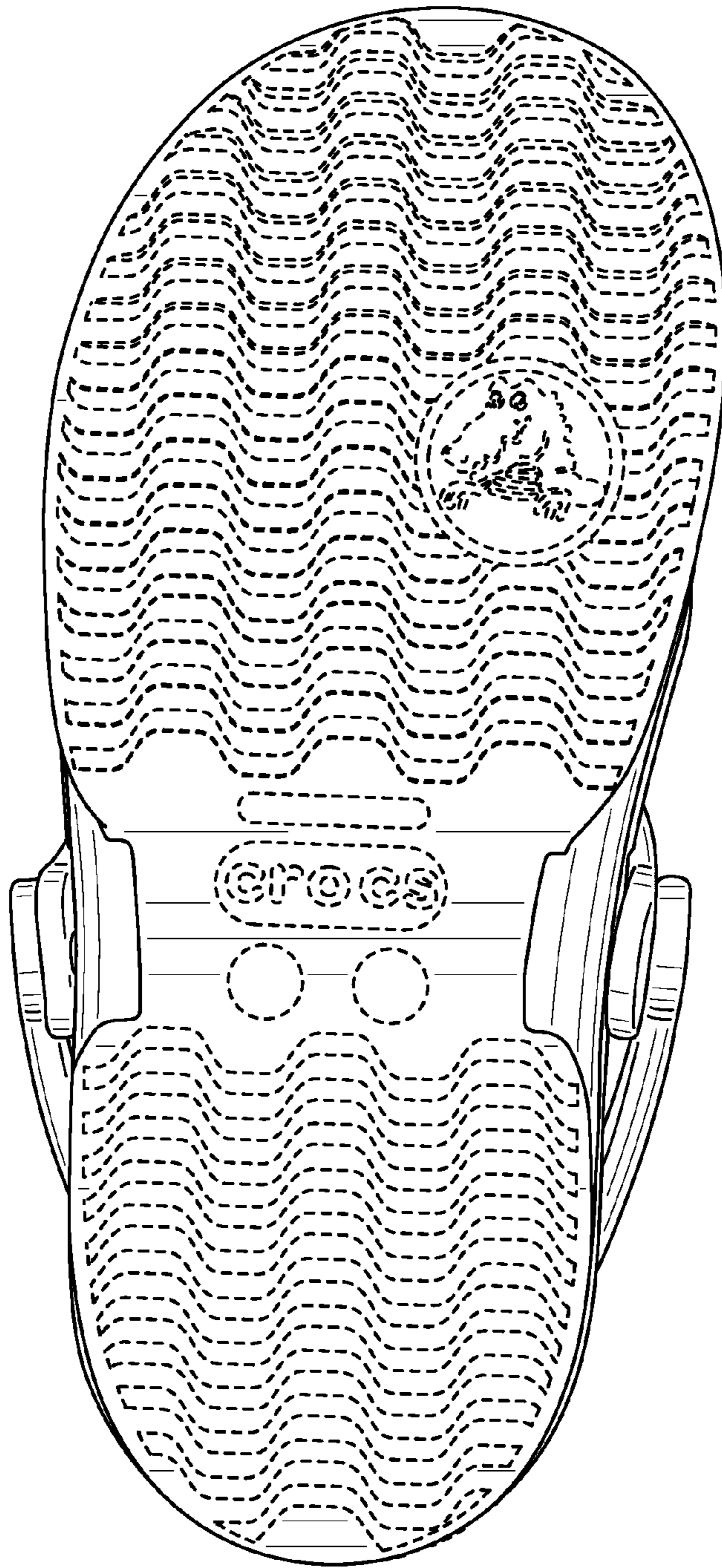


FIG. 7