



US00D728203S

(12) **United States Design Patent**
Bono et al.

(10) **Patent No.:** **US D728,203 S**
(45) **Date of Patent:** **** May 5, 2015**

(54) **HAT BRIM**

(56) **References Cited**

(71) Applicants: **Anthony Bono**, Arlington Heights, IL (US); **Dennis Curle**, Greenwood, IN (US); **Ryan Stevens**, Arlington Heights, IL (US); **Zach Kell**, Mount Prospect, IL (US)

U.S. PATENT DOCUMENTS

2,874,387	A *	2/1959	Bannister et al.	2/195.1
3,927,421	A *	12/1975	Simon	2/12
D246,272	S *	11/1977	Bay	D29/109
D299,767	S *	2/1989	Hsin	D29/109
6,308,336	B1 *	10/2001	Stephenson et al.	2/209.13
7,082,618	B1 *	8/2006	Muso	2/175.1
D571,981	S *	7/2008	Free	D2/872
8,782,815	B2 *	7/2014	Greene, Jr.	2/195.1
2002/0095715	A1 *	7/2002	Hong	2/209.11
2003/0233696	A1 *	12/2003	Lee	2/195.2
2007/0061937	A1 *	3/2007	Curle	2/12
2009/0288238	A1 *	11/2009	Greene, Jr.	2/171.3
2011/0088141	A1 *	4/2011	Davis	2/195.1

(72) Inventors: **Anthony Bono**, Arlington Heights, IL (US); **Dennis Curle**, Greenwood, IN (US); **Ryan Stevens**, Arlington Heights, IL (US); **Zach Kell**, Mount Prospect, IL (US)

(73) Assignee: **AZR Partners**, Riverwoods, IL (US)

* cited by examiner

(**) Term: **14 Years**

Primary Examiner — Karen E Eldridge Powers

(74) *Attorney, Agent, or Firm* — Nixon Peabody LLP

(21) Appl. No.: **29/460,576**

(57) **CLAIM**

We claim the ornamental design for a hat brim, as shown and described.

(22) Filed: **Jul. 12, 2013**

DESCRIPTION

(51) **LOC (10) Cl.** **02-03**

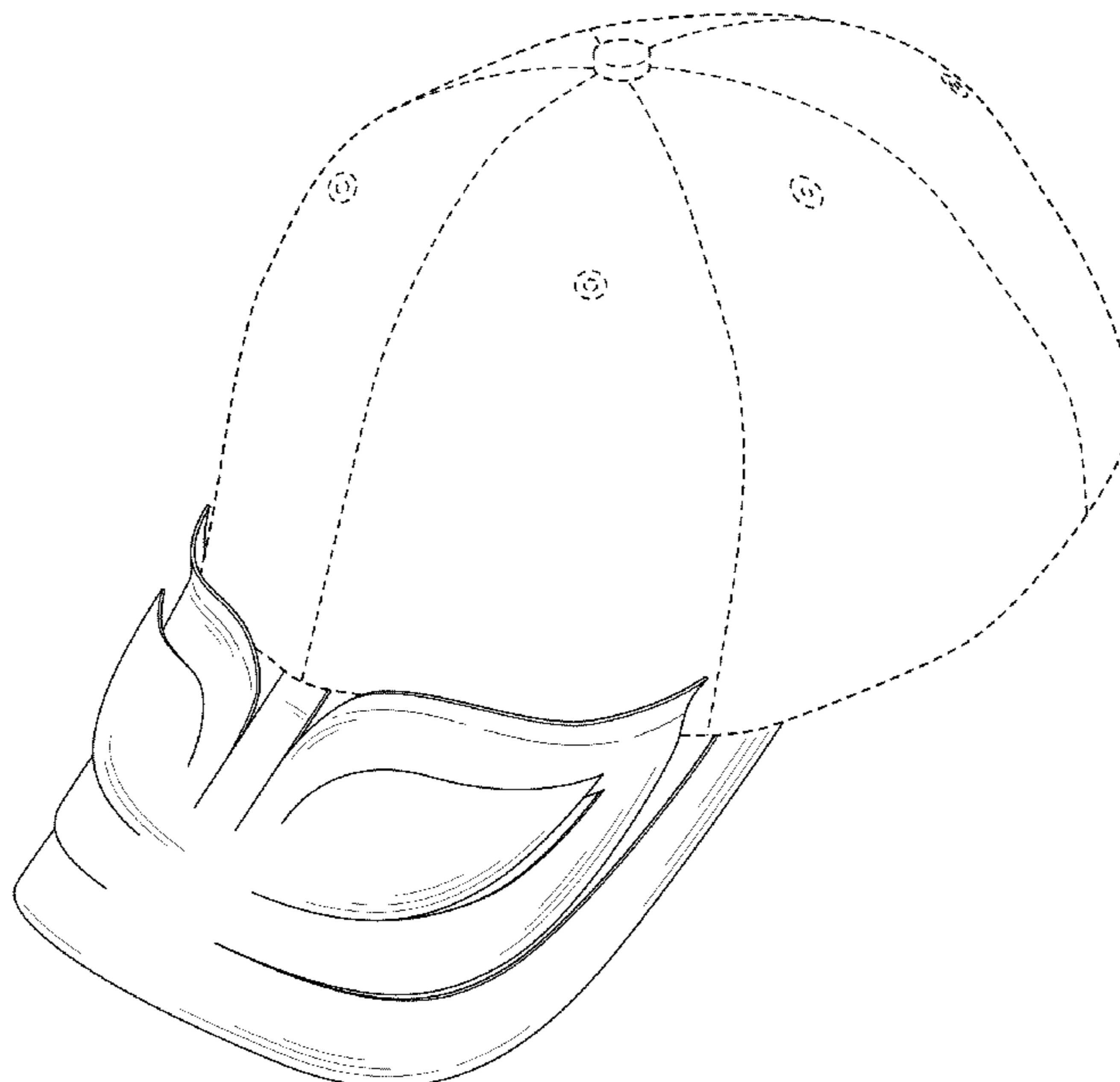
(52) **U.S. Cl.**
USPC **D2/893**

(58) **Field of Classification Search**
CPC A42B 1/006; A42B 1/02
USPC D2/865, 866, 878, 879, 880, 881, 882, D2/883, 884, 886, 888, 891, 893, 894, D2/895; D24/110.3, 110.4; D29/102, 103, D29/104, 105, 106, 107, 109, 110, 122; 2/12, 171, 183, 175.1, 175.3, 175.7, 2/195.1, 195.2, 195.3, 195.4, 195.7, 2/200.1, 209.11, 209.12, 209.13, 209.3, 2/209.4, 209.7; 128/207.11

See application file for complete search history.

FIG. 1 is a perspective view of a hat brim showing our new design;
FIG. 2 is a first side view of hat brim shown in FIG. 1;
FIG. 3 is a second side view of the hat brim, which is opposite of the view shown in FIG. 2;
FIG. 4 is a front view of the hat brim shown in FIG. 1;
FIG. 5 is a rear view of the hat brim shown in FIG. 1;
FIG. 6 is a top view of the hat brim shown in FIG. 1; and,
FIG. 7 is a bottom view of the hat brim shown in FIG. 1.
The portions of the drawings in broken lines represent environmental structure and form no part of the claimed design.

1 Claim, 4 Drawing Sheets



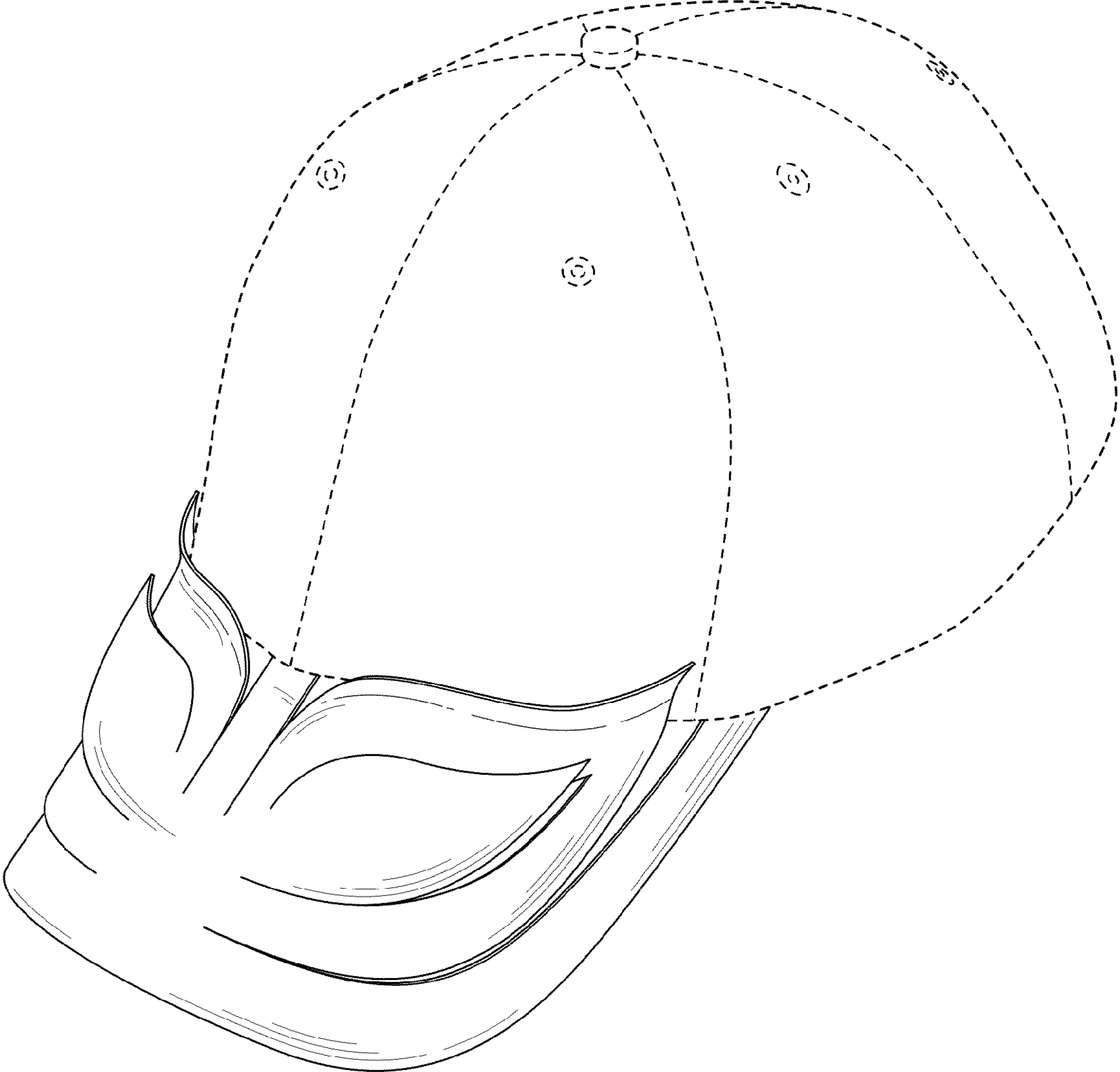


FIG. 1

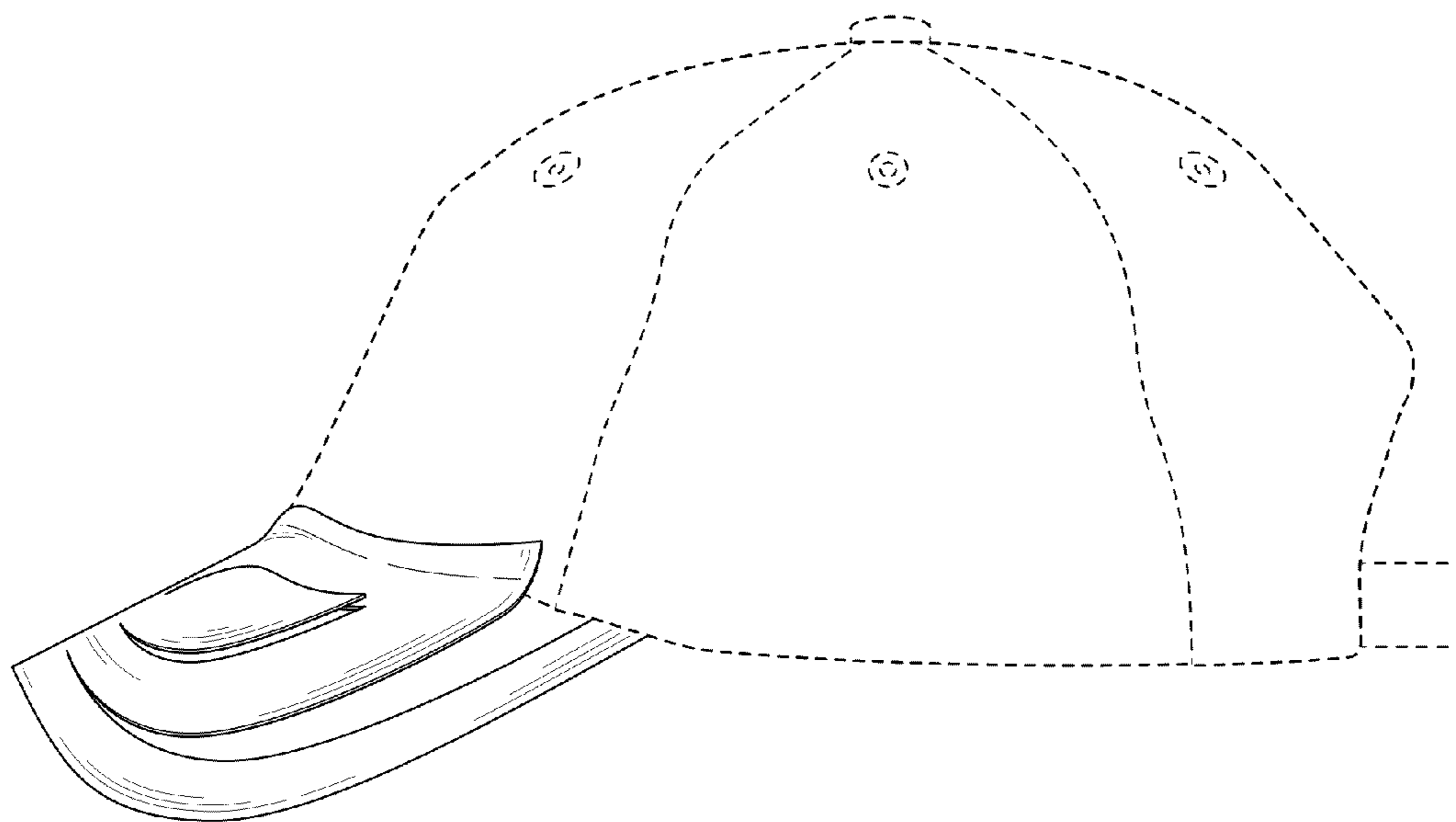


FIG. 2

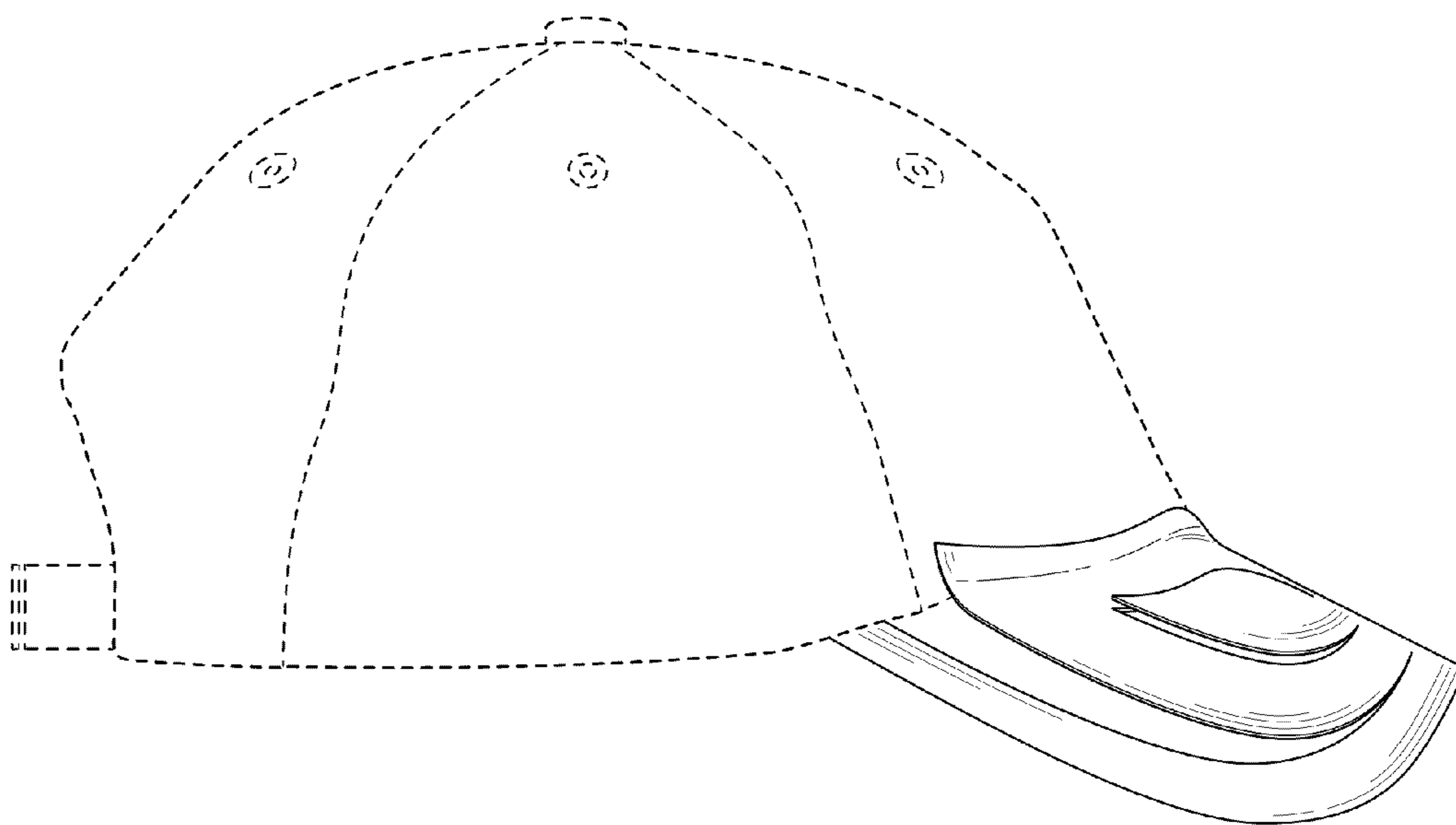


FIG. 3

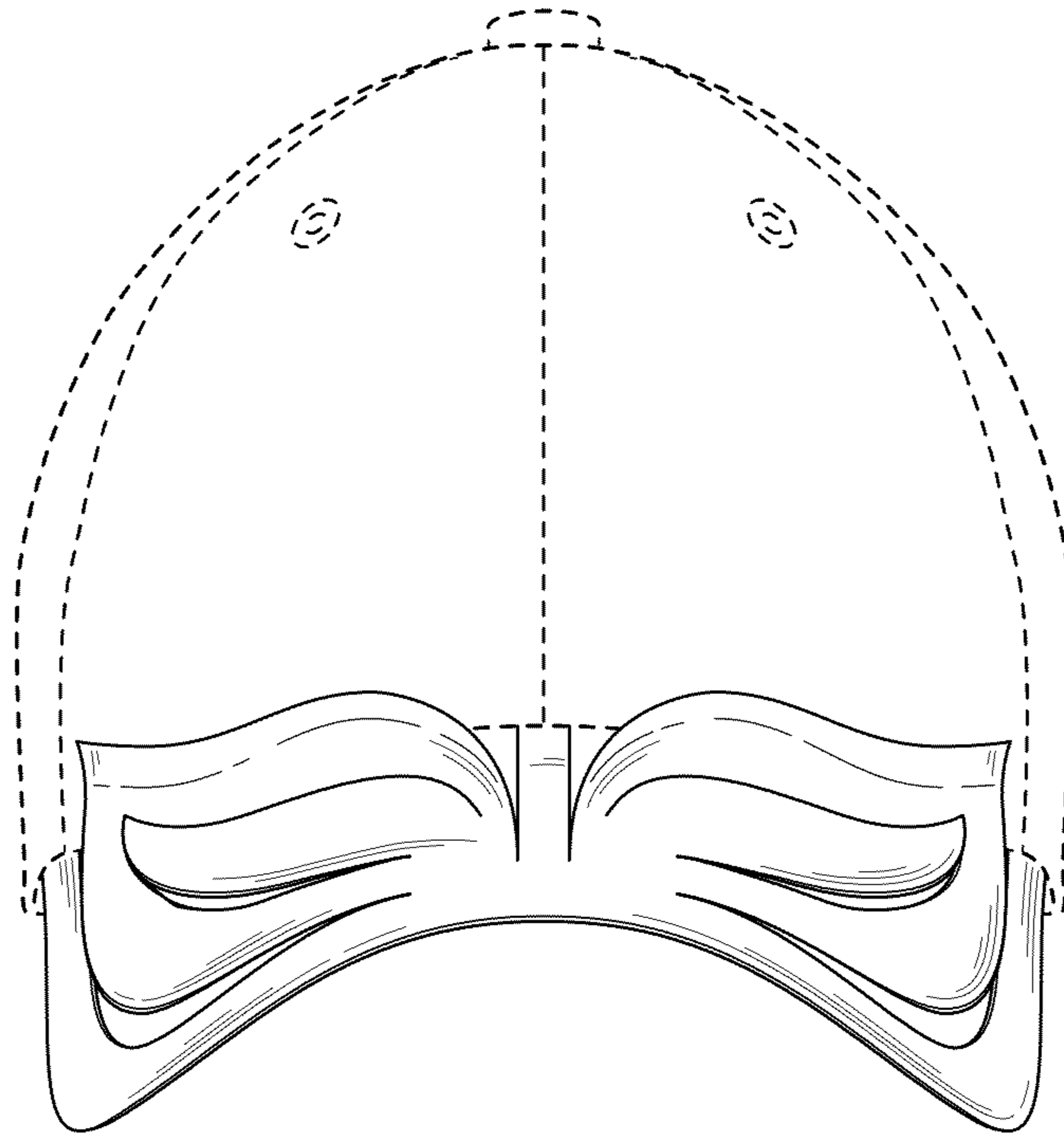


FIG. 4

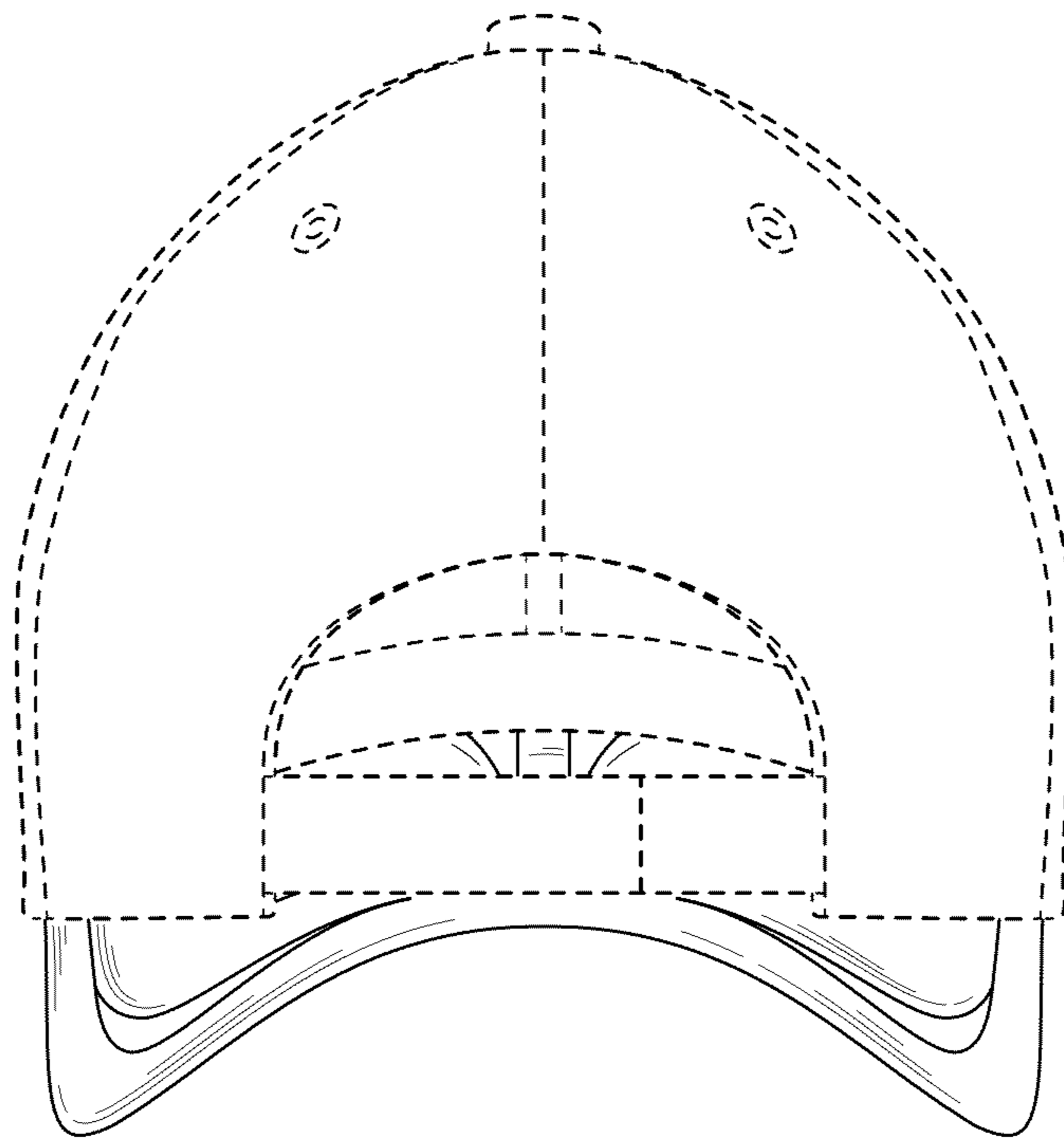


FIG. 5

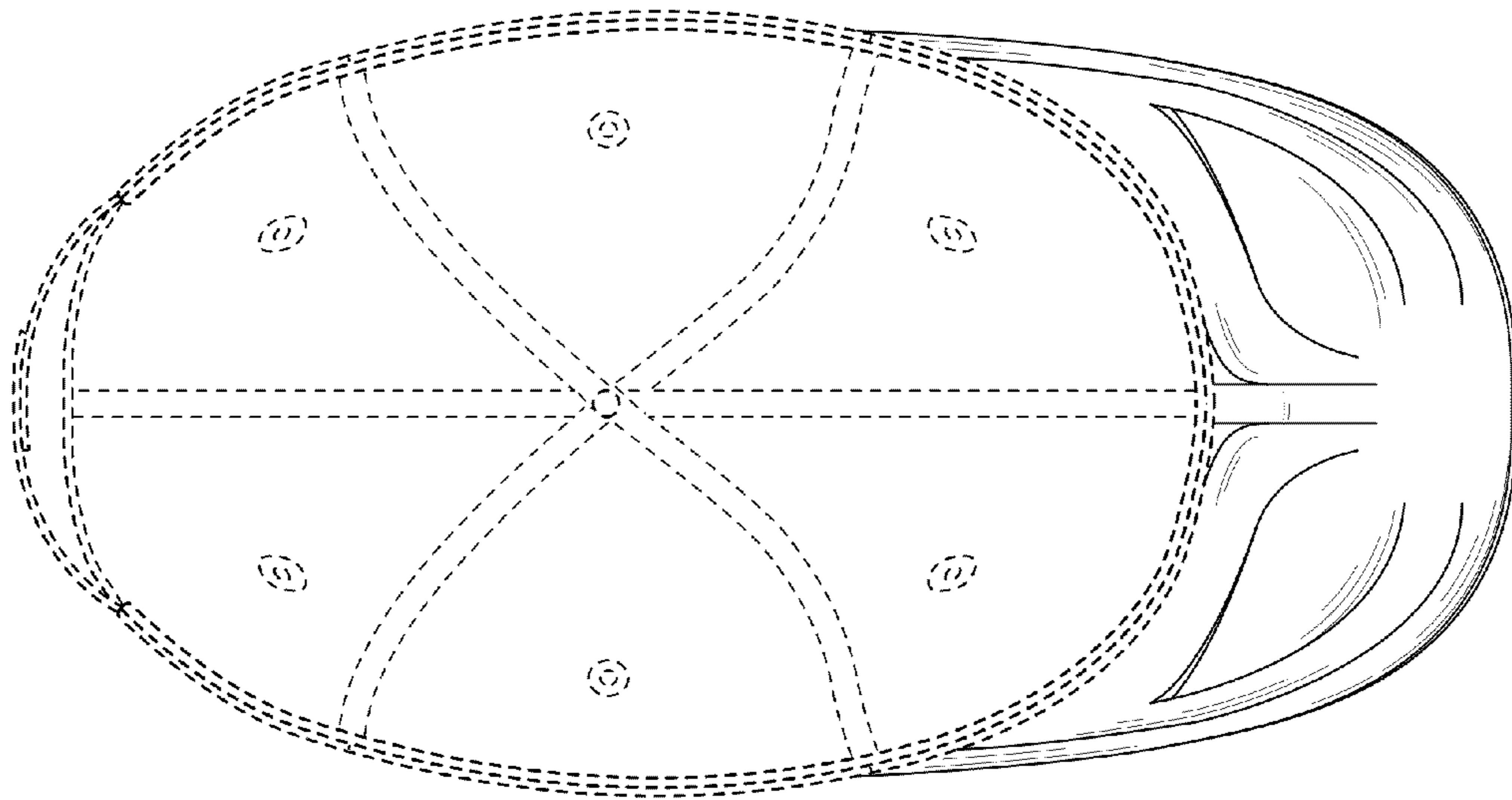


FIG. 7

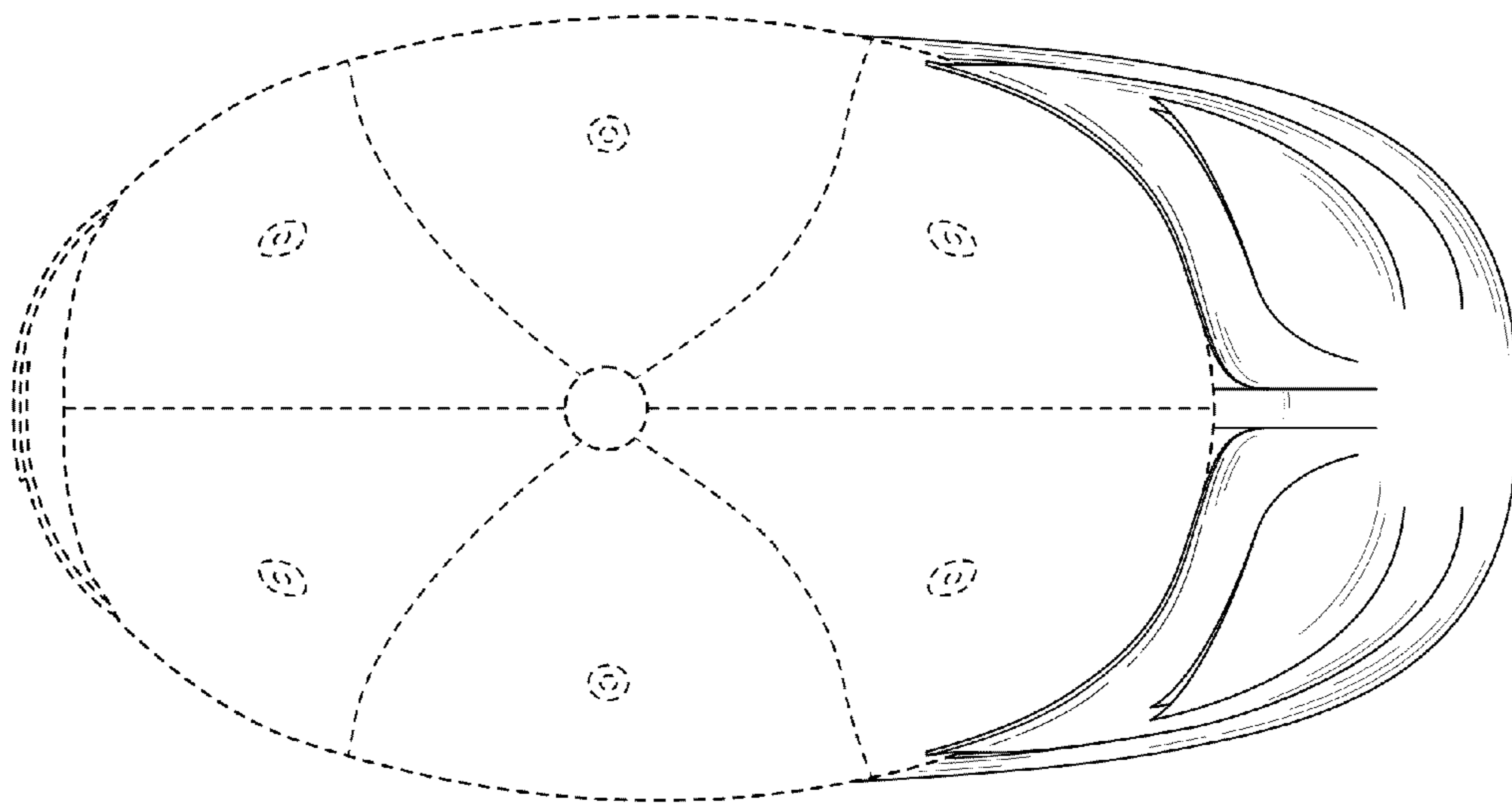


FIG. 6