



US00D728197S

(12) **United States Design Patent**
Paik et al.

(10) **Patent No.:** **US D728,197 S**

(45) **Date of Patent:** **** May 5, 2015**

(54) **SUSPENDER ADJUSTER**

(56) **References Cited**

(71) Applicant: **Woojin Plastic Co., Ltd**, Gyeonggi-do (KR)

U.S. PATENT DOCUMENTS

(72) Inventors: **Jisook Paik**, Seoul (KR); **Nan Hee Paik**, Seoul (KR); **Ji Hye Paik**, Seoul (KR); **Ji Won Son**, Seoul (KR)

3,669,487	A *	6/1972	Roberts et al.	294/104
4,441,746	A *	4/1984	Corboy, Jr.	294/24
5,513,783	A *	5/1996	White	223/112
D401,389	S *	11/1998	Taylor et al.	D2/641
D436,001	S *	1/2001	Rae	D7/394
D457,320	S *	5/2002	Beedham	D3/318
D463,124	S *	9/2002	Godshaw et al.	D3/318
D486,647	S *	2/2004	Nordstrom et al.	D3/318
D506,313	S *	6/2005	Neumann	D3/318
D702,442	S *	4/2014	Liang	D3/318
2009/0165603	A1 *	7/2009	Aguirre	81/426.5
2013/0214016	A1 *	8/2013	Carbray	223/111

(73) Assignee: **Woojin Plastic Co., Ltd.**, Gyeonggi-do (KR)

(**) Term: **14 Years**

* cited by examiner

(21) Appl. No.: **29/489,726**

Primary Examiner — Robert M Spear

Assistant Examiner — Darcey E Heflin

(22) Filed: **May 2, 2014**

(74) *Attorney, Agent, or Firm* — Jordan and Hamburg LLP

(30) **Foreign Application Priority Data**

(57) **CLAIM**

We claim, the ornamental design for a suspender adjuster, as shown and described.

Jan. 21, 2014 (KR) 30-2014-0003184

DESCRIPTION

(51) **LOC (10) Cl.** **07-99**

FIG. 1 is a perspective view of a suspender adjuster, showing my new design;

(52) **U.S. Cl.**

USPC **D2/641**

FIG. 2 is a front elevational view thereof;

(58) **Field of Classification Search**

CPC A47G 25/90; A47G 25/905; B25B 7/00; B25B 7/02

FIG. 3 is a rear elevational view thereof;

USPC D2/623, 624, 626, 639, 640–643; D3/215, 318; 223/111–118; 24/163 R

FIG. 4 is a left side elevational view thereof;

FIG. 5 is a right side elevational view thereof;

FIG. 6 is a top plan view thereof;

FIG. 7 is a bottom plan view thereof; and,

FIG. 8 is an A-A sectional view thereof.

See application file for complete search history.

1 Claim, 3 Drawing Sheets

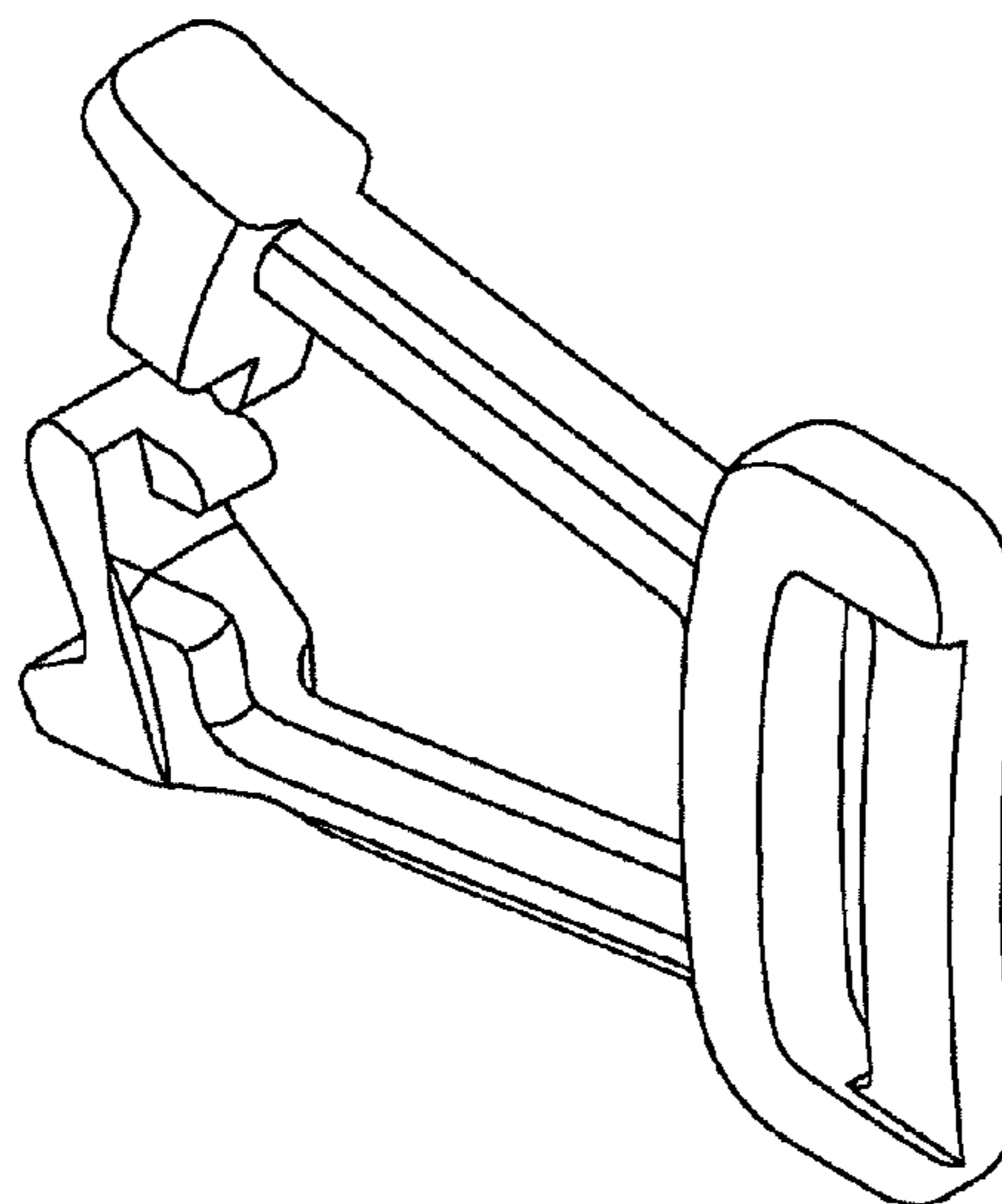


FIG.1

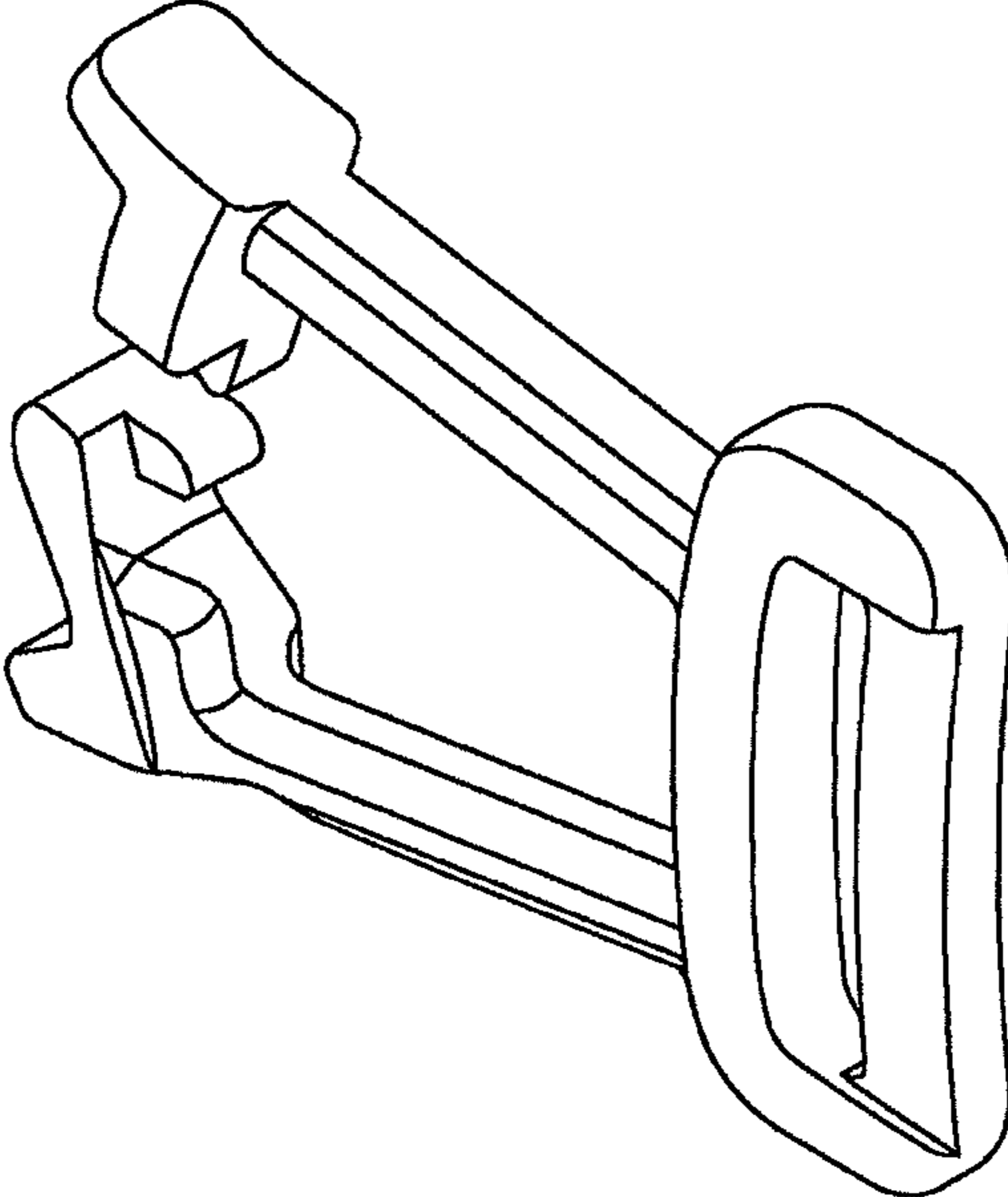


FIG.2

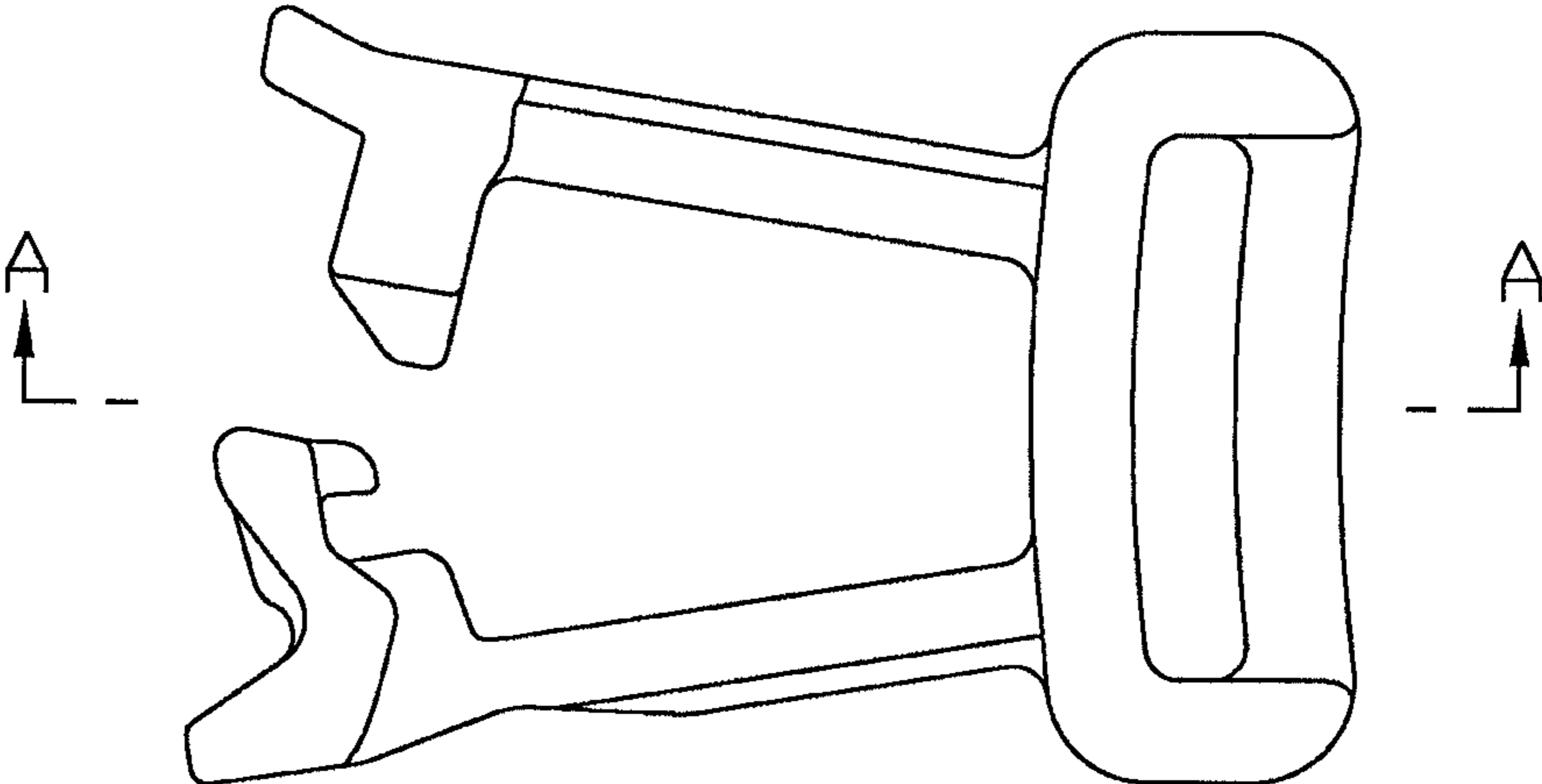


FIG.3

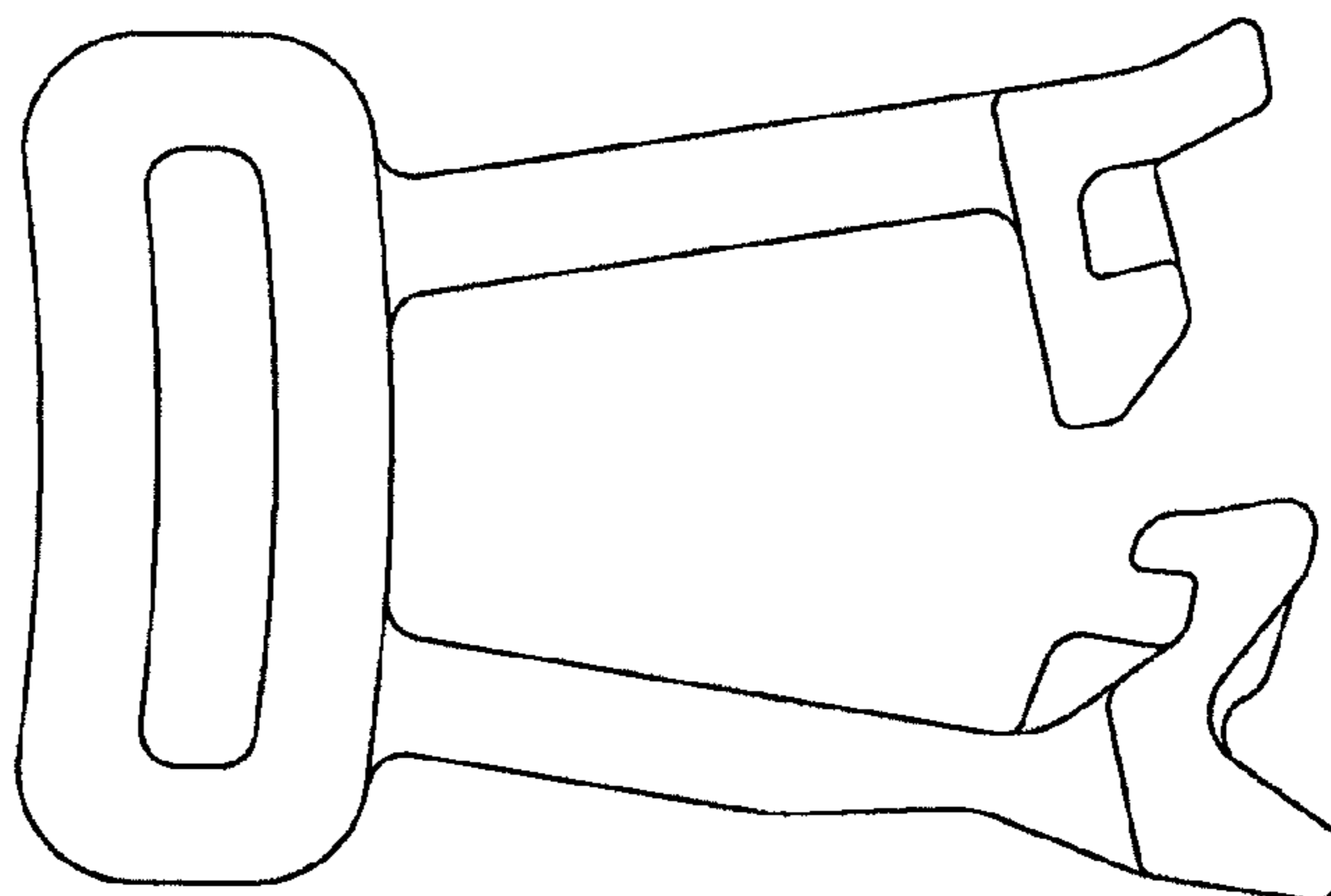


FIG.4

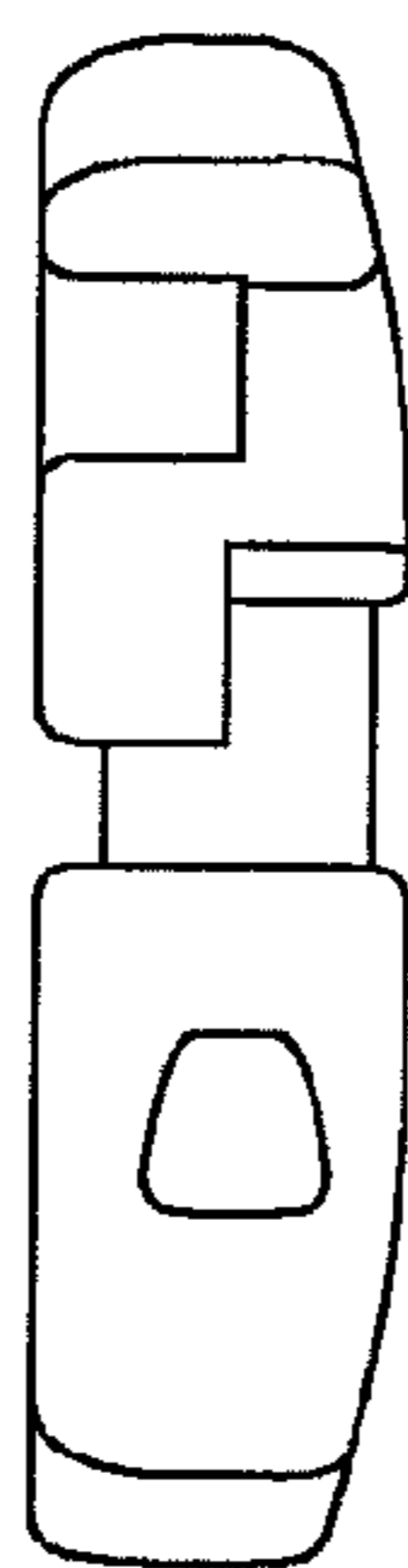


FIG.5

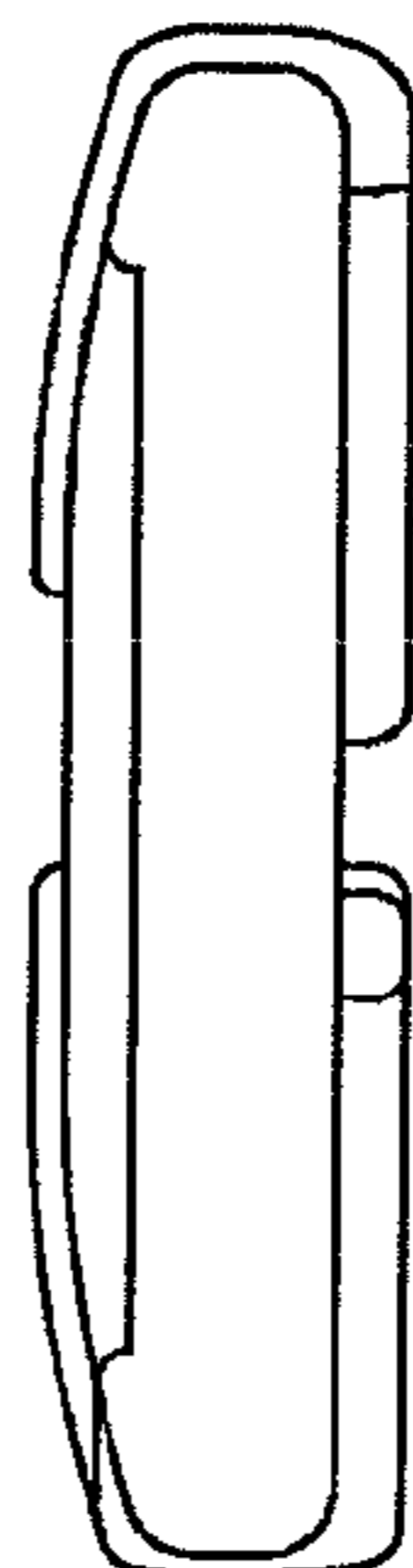


FIG.6

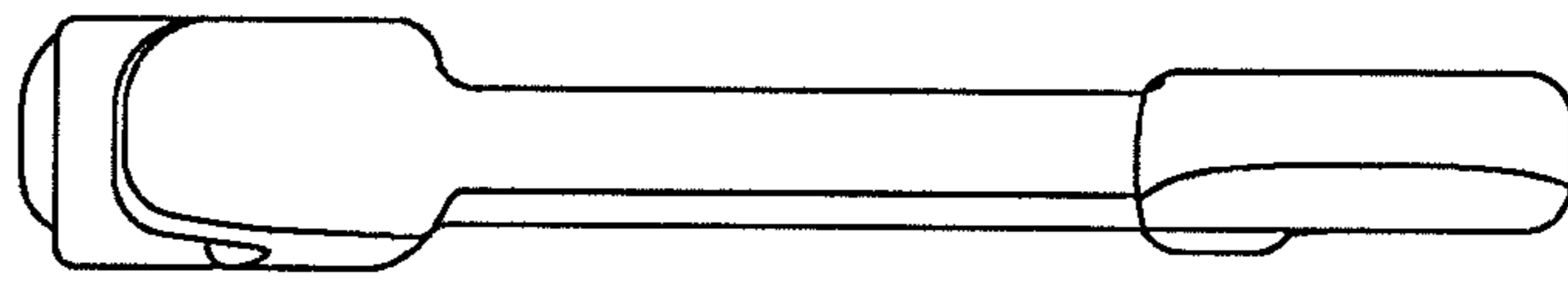


FIG.7

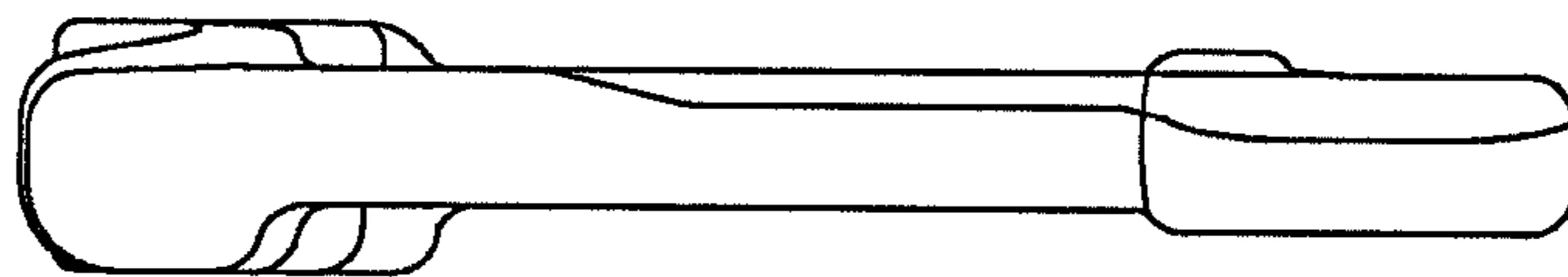


FIG.8

