



US00D728195S

(12) **United States Design Patent**
Tucker

(10) **Patent No.:** **US D728,195 S**

(45) **Date of Patent:** **** May 5, 2015**

(54) **DOUBLE-SIDED ADHESIVE TAPE**

6,367,088 B1 4/2002 Bergemann

(Continued)

(71) Applicant: **Demetrius L. Tucker**, Nashville, TN
(US)

OTHER PUBLICATIONS

(72) Inventor: **Demetrius L. Tucker**, Nashville, TN
(US)

Double sided Adhesive strips, available Oct. 9, 2011, [online], [site visited Nov. 18, 2014]. Available from internet, <URL: <http://www.uline.com/Product/Detail/S-13710/Double-Sided-Foam-Tape/1-x-3-Pre-Cut-Double-Sided-Foam-Strips-1-16-Thickness>.*

(**) Term: **14 Years**

Instant Fix Double-Sided Hem Tape, printed from <http://products.singerco.com/accessories/detail/2375/instant-fix-double-sided-hem-tape> on Jun. 18, 2014.

(21) Appl. No.: **29/496,884**

(Continued)

(22) Filed: **Jul. 18, 2014**

(51) **LOC (10) Cl.** **02-05**

(52) **U.S. Cl.**

USPC **D2/609**

(58) **Field of Classification Search**

CPC .. B29C 66/4722; A41D 25/00; A41D 25/001;
A41D 25/006; A41D 25/02; A41D 25/08;
A41D 3/00; C09J 2201/128

USPC 427/207.1, 208; 428/40.1, 343; 156/60,
156/66; D2/600, 602-609, 500-508,
D2/627-629, 631, 632, 875, 853, 840, 639,
D2/640, 891; D6/306, 310, 311; D4/122;
D19/69; D10/71

See application file for complete search history.

Primary Examiner — Cathron Brooks

Assistant Examiner — Teddy Falloway

(74) *Attorney, Agent, or Firm* — LaBatt, LLC

(57) **CLAIM**

The ornamental design for a double-sided adhesive tape, as shown and described.

DESCRIPTION

FIG. 1 is a front view of a double-sided adhesive tape according to the present design.

FIG. 2 is a right side elevation view of the double-sided adhesive tape shown in FIG. 1.

FIG. 3 is a left side elevation view of the double-sided adhesive tape shown in FIG. 1.

FIG. 4 is a rear view of the double-sided adhesive tape shown in FIG. 1.

FIG. 5 is a top plan view of the double-sided adhesive tape shown in FIG. 1.

FIG. 6 is a bottom view of the double-sided adhesive tape shown in FIG. 1; and,

FIG. 7 is a bottom, front, right side perspective view of the double-sided adhesive tape shown in FIG. 1.

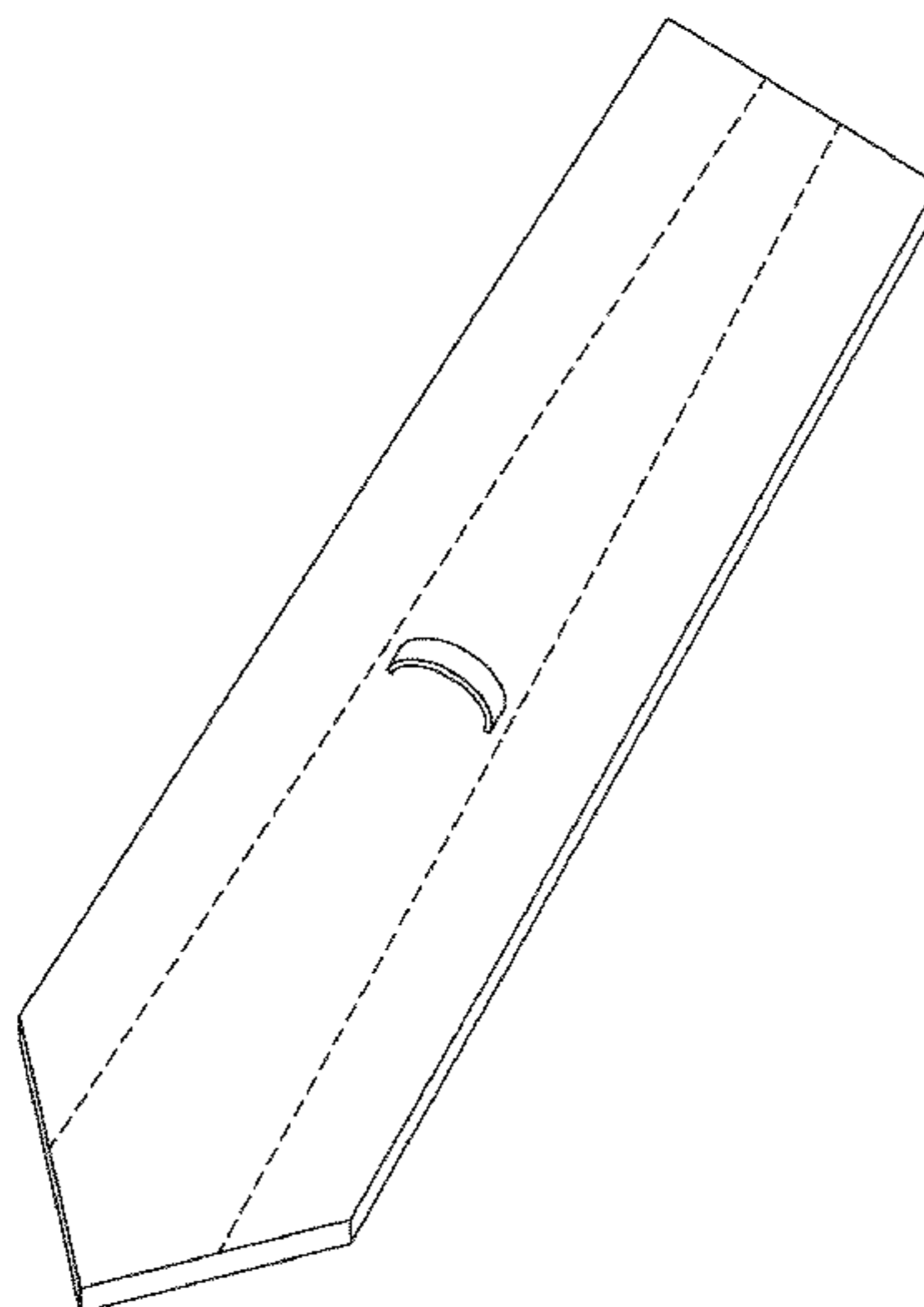
The broken lines shown on the surface of the double-sided adhesive tape represent perforations and form part of the claimed design.

(56) **References Cited**

U.S. PATENT DOCUMENTS

2,090,816	A *	8/1937	Snider	2/146
3,950,823	A	4/1976	Schreter		
D277,617	S *	2/1985	Chen	D2/605
4,582,737	A *	4/1986	Torgerson et al.	428/57
4,694,509	A *	9/1987	Grubman	2/144
4,716,595	A *	1/1988	Camphous	704/216
4,972,523	A	11/1990	Begg		
5,400,439	A *	3/1995	Petroff	2/148
5,566,826	A	10/1996	Evans		
5,575,007	A *	11/1996	Gaffney	2/144
5,763,038	A *	6/1998	Wood	428/43
D401,767	S *	12/1998	Leung	D6/306
D401,768	S *	12/1998	Leung	D6/306

1 Claim, 2 Drawing Sheets



(56)

References Cited

U.S. PATENT DOCUMENTS

6,691,904 B2 2/2004 Pineda
8,168,280 B2* 5/2012 Thiele 428/42.3
D662,287 S 6/2012 Merritt
D677,474 S * 3/2013 Harris et al. D6/310
2001/0039743 A1* 11/2001 Mangiapane et al. 33/562

2002/0148030 A1* 10/2002 Fortier 2/153
2003/0096076 A1* 5/2003 Allison 428/43

OTHER PUBLICATIONS

Mommy at Work 1: Faux Tie Onesie, printed from <http://mommy-at-work1.blogspot.com/2010/04/faux-tie-onesie.html> on Jun. 18, 2014.

* cited by examiner

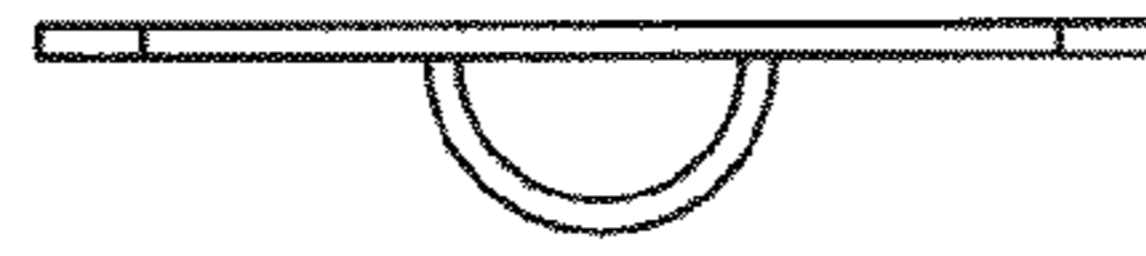


FIG. 5

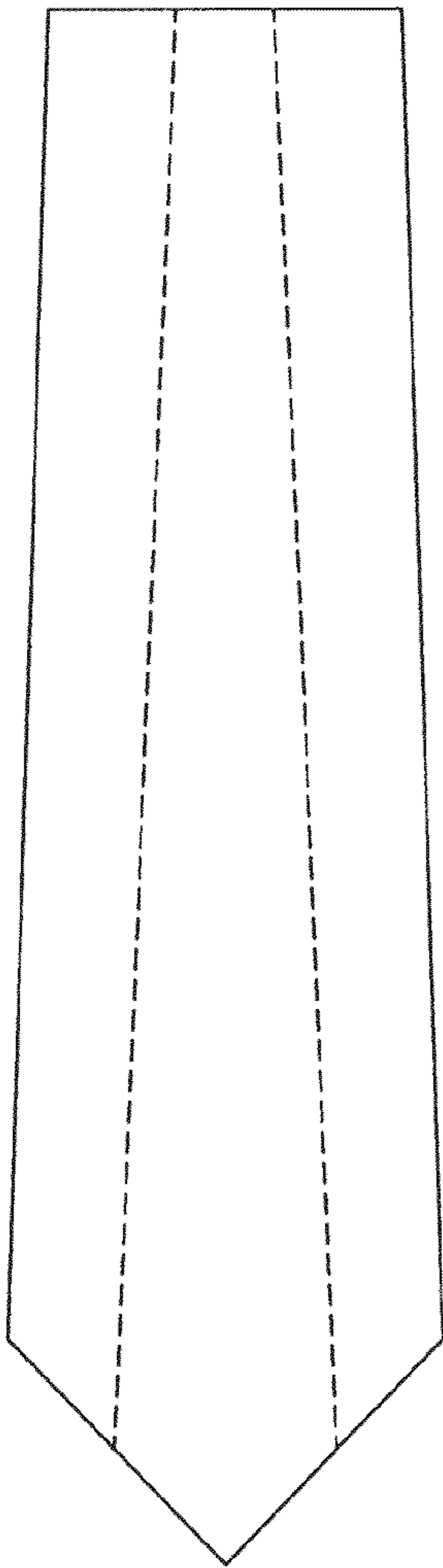


FIG. 4



FIG. 3

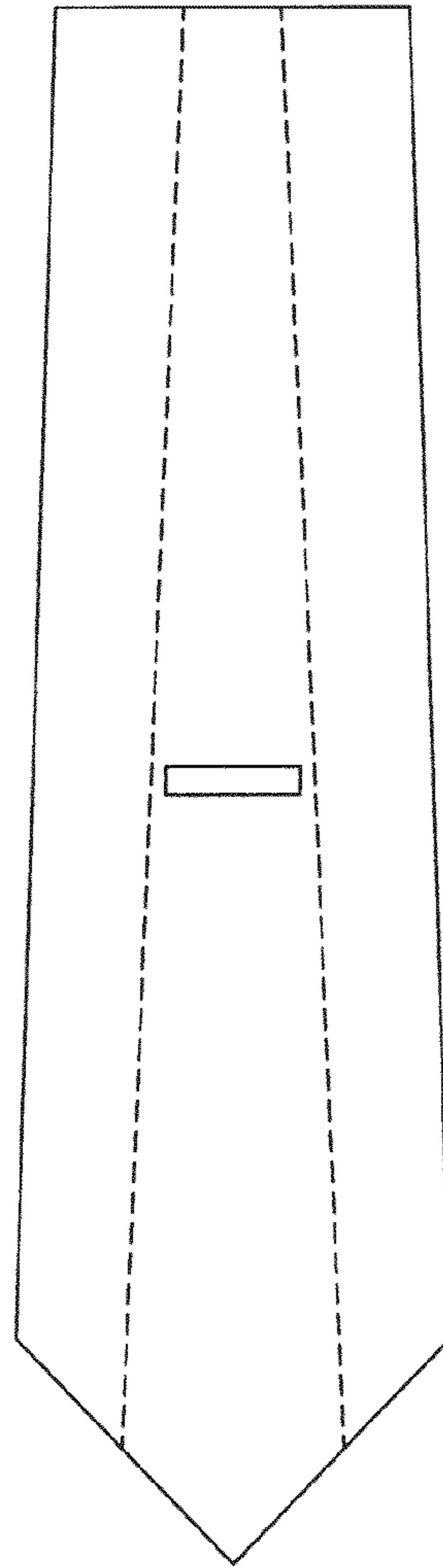


FIG. 1

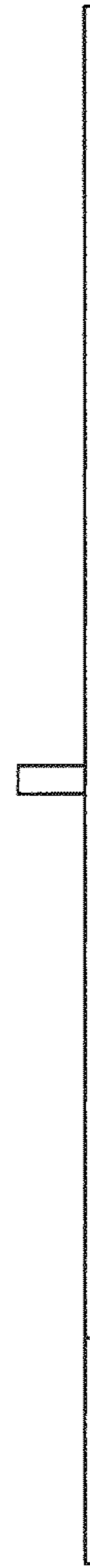


FIG. 2



FIG. 6

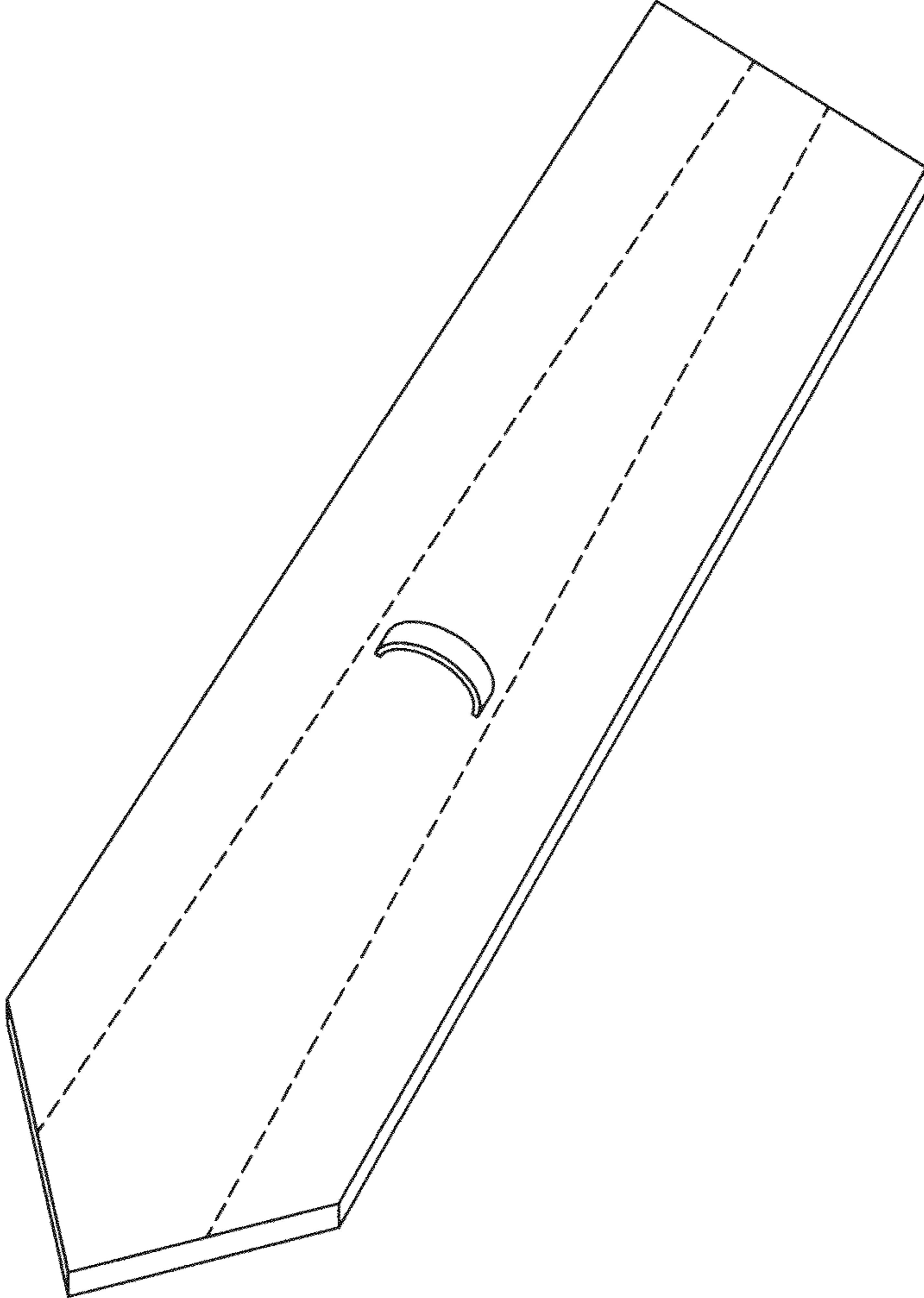


FIG. 7