



US00D728193S

(12) **United States Design Patent**
Mathew et al.

(10) **Patent No.:** **US D728,193 S**

(45) **Date of Patent:** **** *May 5, 2015**

(54) **SNACK FOOD PRODUCT**

(71) Applicant: **Frito-Lay North America, Inc.**, Plano, TX (US)

(72) Inventors: **John Mampra Mathew**, Plano, TX (US); **Bharadwaj Narayanan**, Frisco, TX (US); **Jason Thomas Niermann**, Frisco, TX (US); **Amanda Spring Pederson**, Frisco, TX (US)

(73) Assignee: **Frito-Lay North America, Inc.**, Plano, TX (US)

(*) Notice: This patent is subject to a terminal disclaimer.

(**) Term: **14 Years**

(21) Appl. No.: **29/484,049**

(22) Filed: **Mar. 5, 2014**

(51) **LOC (10) Cl.** **01-01**

(52) **U.S. Cl.**
USPC **D1/125; D1/115**

(58) **Field of Classification Search**
USPC D1/100-130, 199; 426/104, 115, 144, 426/249, 274, 517, 518, 805; D21/386; D25/119, 121; D30/160; D24/102, 103
See application file for complete search history.

(56) **References Cited**

U.S. PATENT DOCUMENTS

D134,414	S	*	11/1942	Orme, Jr.	D1/120
6,138,314	A	*	10/2000	Schiff et al.	15/167.1
D437,101	S	*	2/2001	Debbouz et al.	D1/126
6,344,224	B1	*	2/2002	Bazzaro et al.	426/89
D534,706	S	*	1/2007	Cuadrado	D1/125

D535,108	S	*	1/2007	Ping Sheng	D5/99
D575,612	S	*	8/2008	Clampitt et al.	D8/83
D591,926	S	*	5/2009	Jia et al.	D1/125
D603,134	S	*	11/2009	Powell	D1/199
D603,135	S	*	11/2009	Unlu et al.	D1/199
D607,176	S	*	1/2010	Roskam	D1/115
D621,127	S	*	8/2010	Roskam	D1/115
D649,740	S	*	12/2011	Bredin et al.	D1/125
D661,868	S	*	6/2012	Takeda et al.	D1/199
D666,378	S	*	9/2012	Dixon	D1/125
D666,786	S	*	9/2012	Bostick	D1/106
D683,517	S	*	6/2013	Tansey et al.	D1/125
D692,206	S	*	10/2013	Slusarczyk et al.	D1/125
D701,667	S	*	4/2014	Coomes et al.	D1/125

* cited by examiner

Primary Examiner — Deanna L Pratt

Assistant Examiner — Katie Mroczka

(74) *Attorney, Agent, or Firm* — Colin P. Cahoon; Celina M. Orr; Carstens & Cahoon, LLP

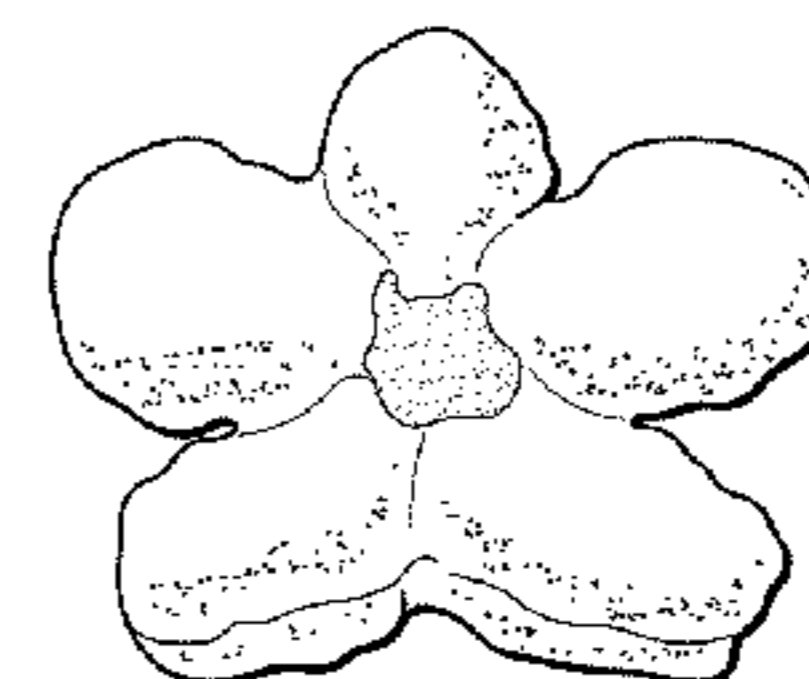
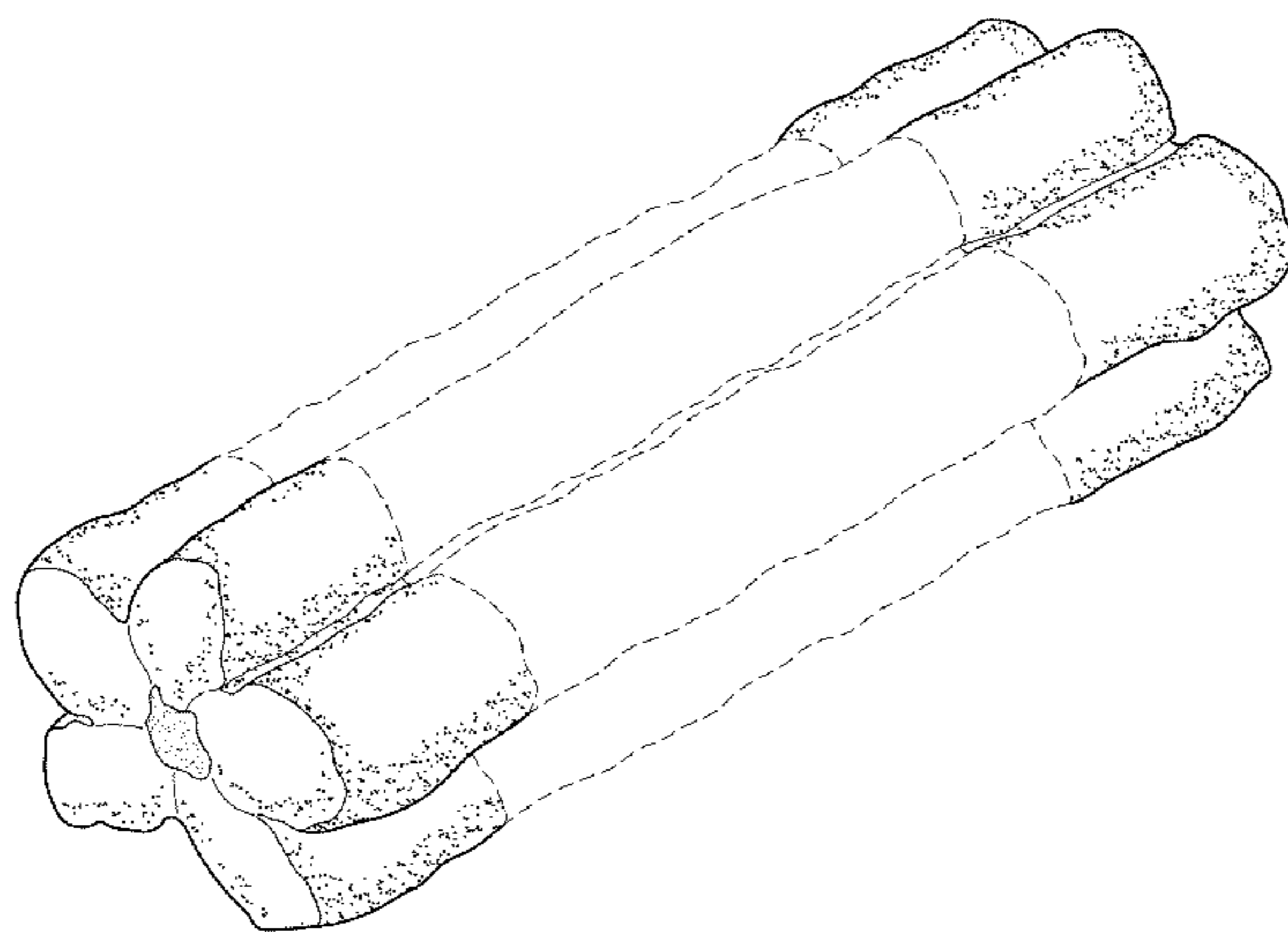
(57) **CLAIM**

The ornamental design for a snack food product, as shown and described.

DESCRIPTION

FIG. 1 is a perspective view of the snack food product; FIG. 2 is a front view of the snack food product; FIG. 3 is a back view of the snack food product; FIG. 4 is a right side view of the snack food product; FIG. 5 is a left side view of the snack food product; FIG. 6 is a top view of the snack food product; and, FIG. 7 is a bottom view of the snack food product. The broken lines immediately adjacent to claimed subject matter illustrate the bounds of the claim and form no part thereof. All other broken lines illustrate portions of the snack food product which form no part of the claimed design.

1 Claim, 2 Drawing Sheets



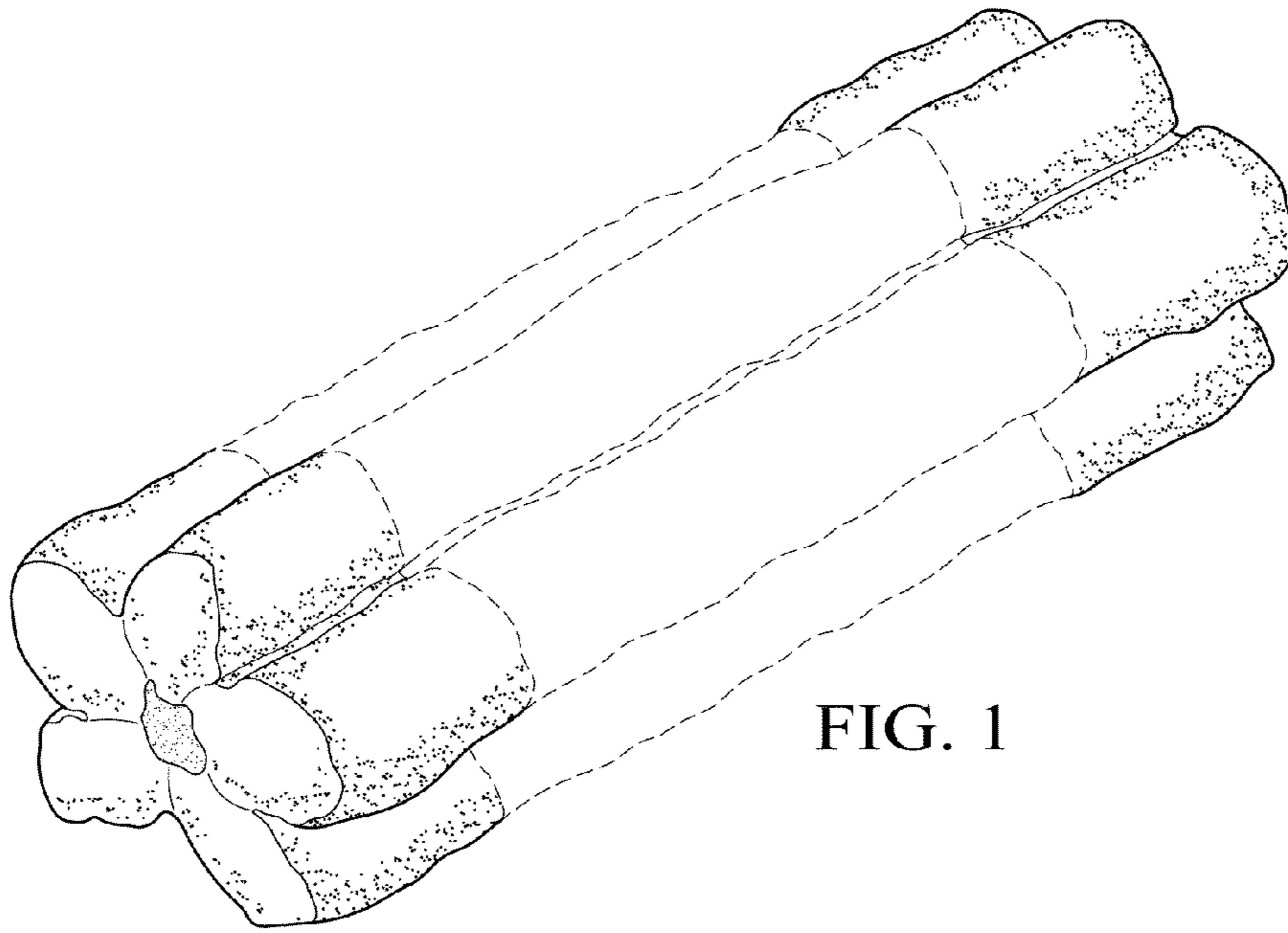


FIG. 1

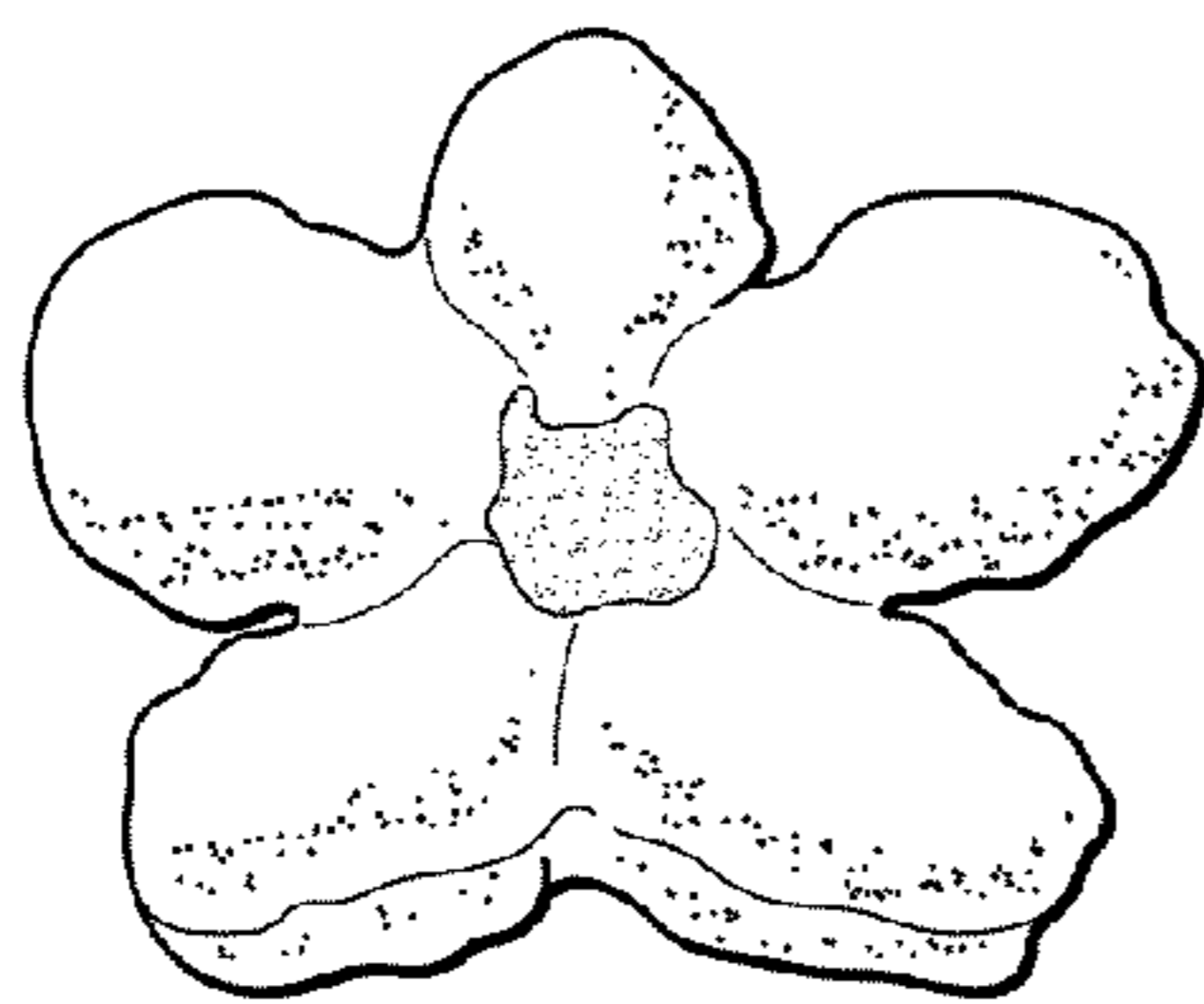


FIG. 2

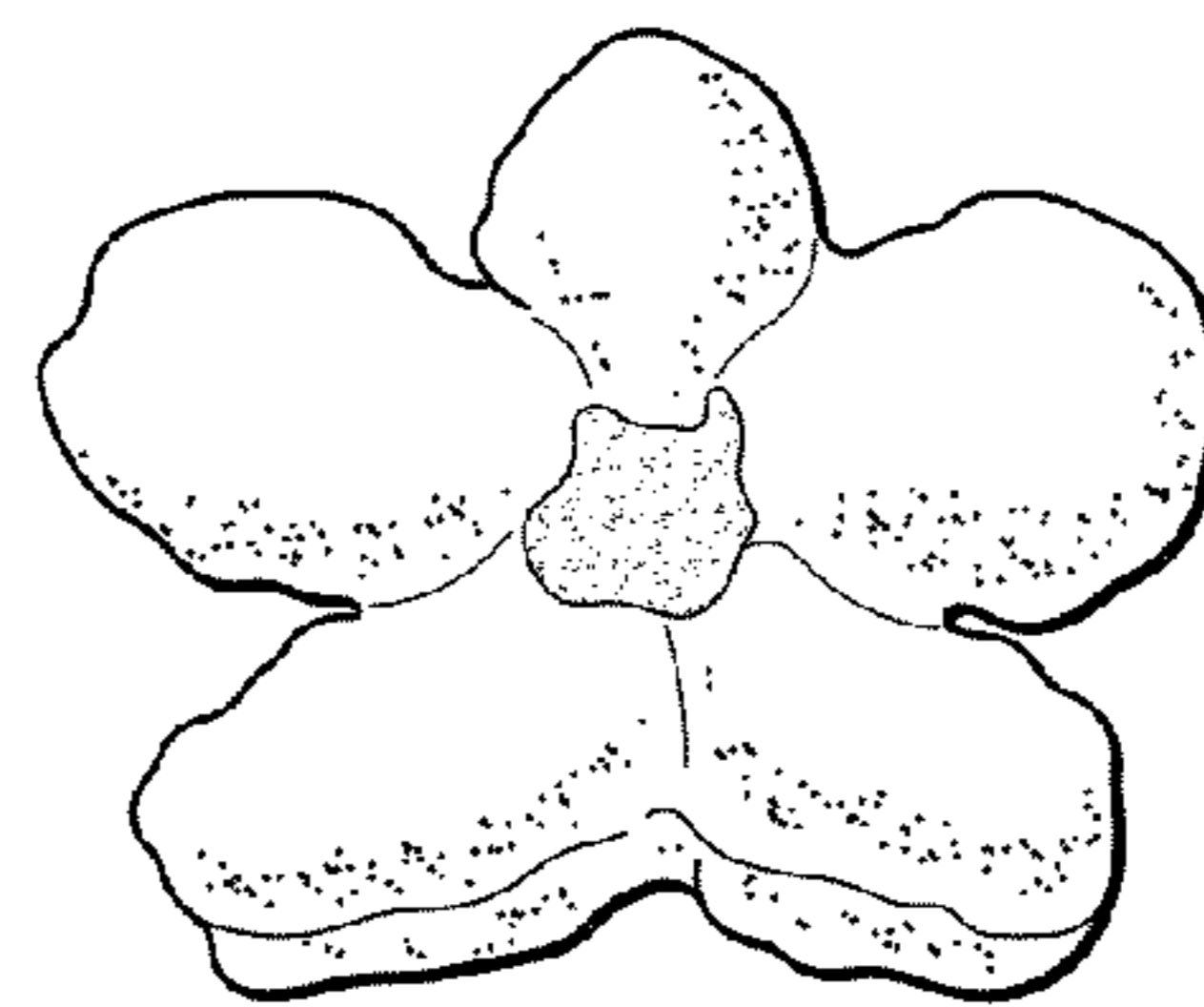


FIG. 3

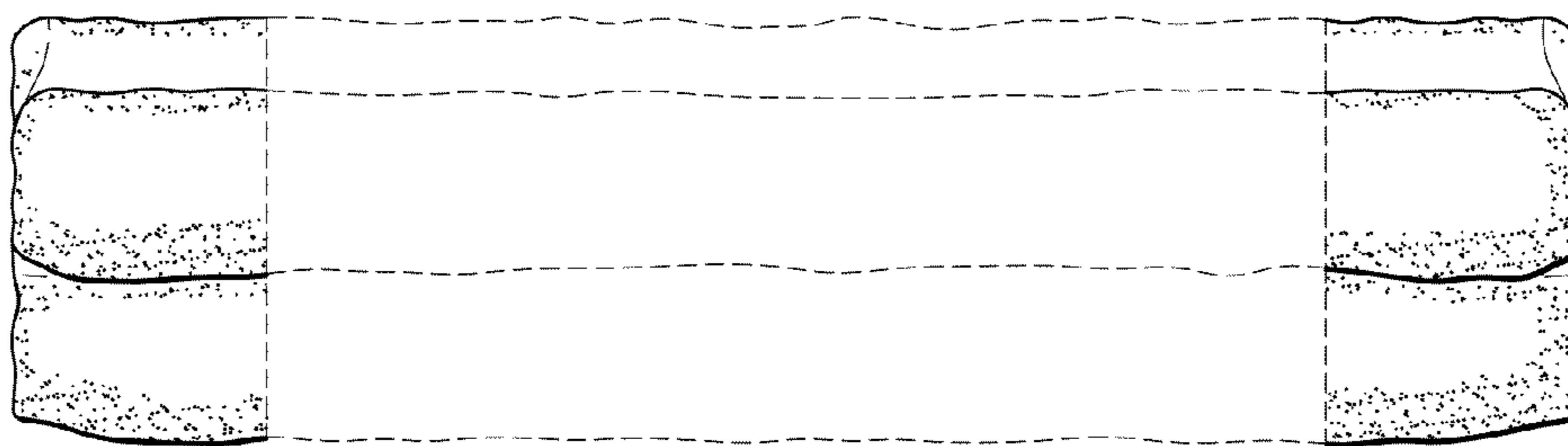


FIG. 4

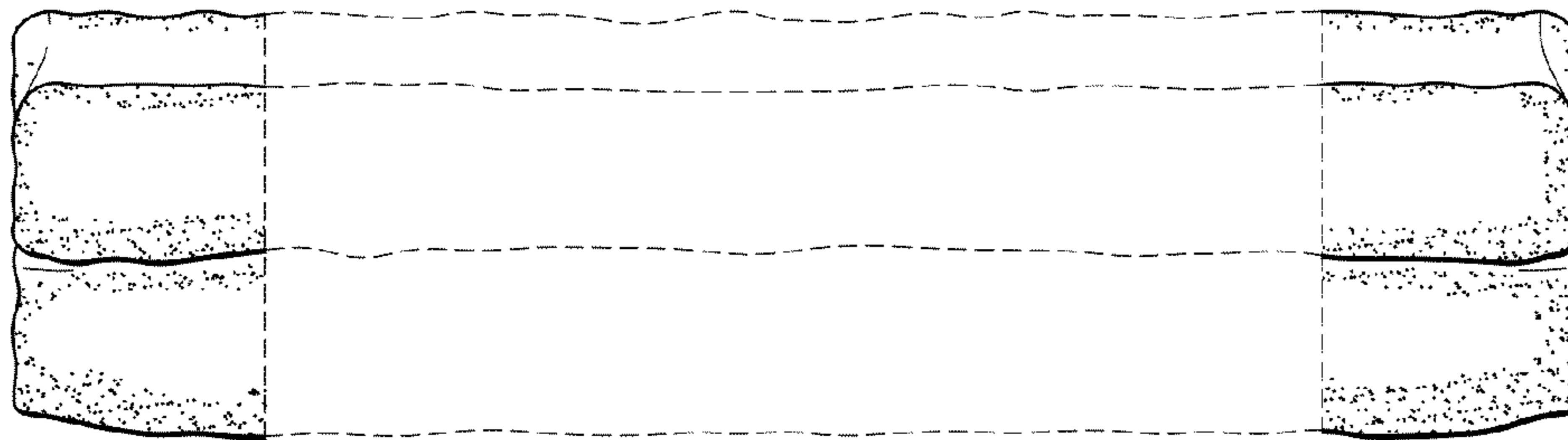


FIG. 5

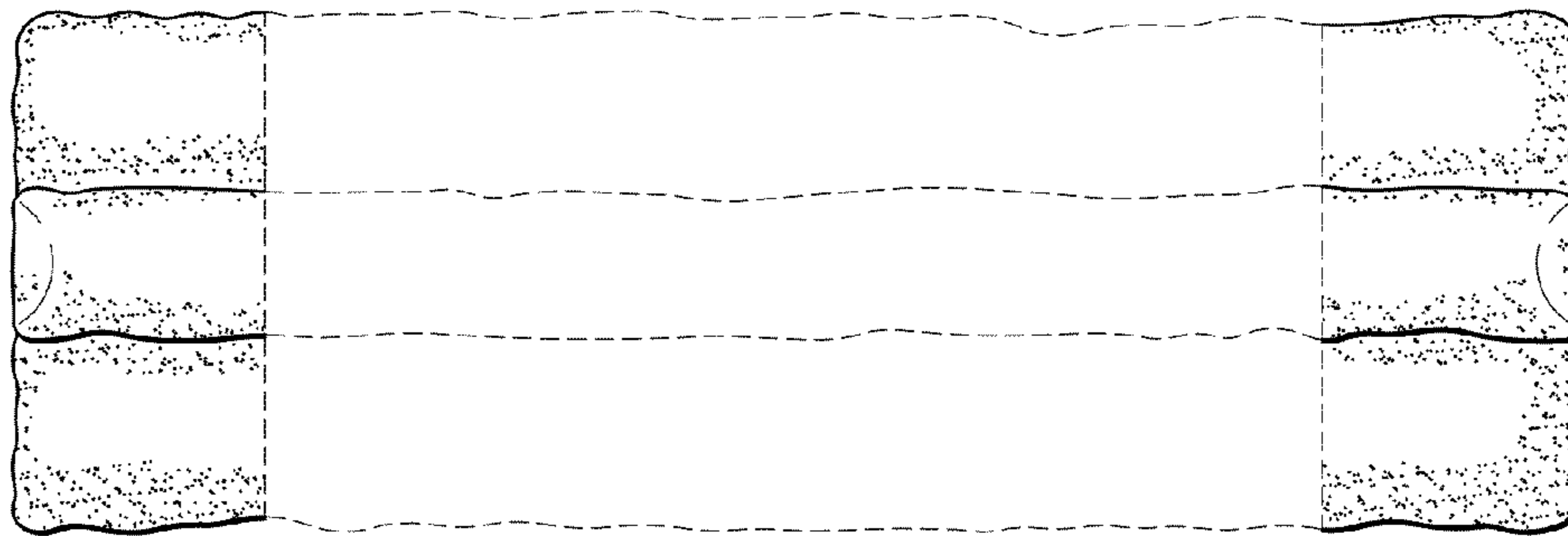


FIG. 6

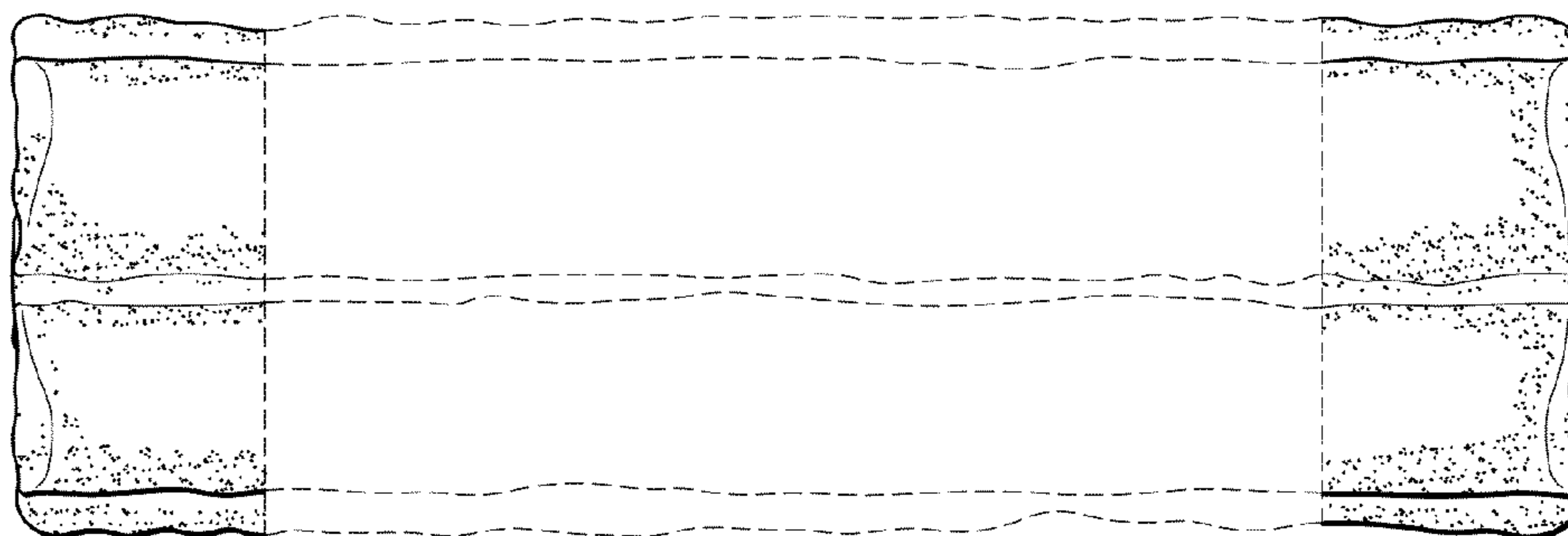


FIG. 7