

US00D728191S

(12) **United States Design Patent**
Manikas

(10) **Patent No.:** **US D728,191 S**
(45) **Date of Patent:** **** May 5, 2015**

(54) **LOLLIPOP STICK**

(71) Applicant: **Basman Plastics CC**, Johannesburg
(ZA)

(72) Inventor: **Basileios Manikas**, Edenvale (ZA)

(73) Assignee: **Basman Plastics CC** (ZA)

(**) Term: **14 Years**

(21) Appl. No.: **29/444,398**

(22) Filed: **Jan. 30, 2013**

(30) **Foreign Application Priority Data**

Jul. 31, 2012 (ZA) F2012/01266

(51) **LOC (10) Cl.** **01-01**

(52) **U.S. Cl.**
USPC **D1/105**

(58) **Field of Classification Search**

CPC A23G 9/503; A23G 9/26; A23G 9/48;
A23P 1/005; B65D 85/78
USPC D1/100-130, 199; 426/94, 138, 134,
426/104, 143, 281-284, 292, 295, 514, 566,
426/572, 660, 90, 91, 92; 21/402, 567, 568;
D7/533, 543, 600, 635, 300.2; D8/352,
D8/107; D21/487, 402; D26/24, 76, 83,
D26/118, 142, 37; 362/34, 96; D3/7;
D24/224; 446/236

See application file for complete search history.

(56) **References Cited**

U.S. PATENT DOCUMENTS

772,408 A * 10/1904 Ely 40/317
2,899,050 A * 8/1959 Collins, Jr. 206/719
3,950,548 A * 4/1976 Baker 426/91

4,769,335 A * 9/1988 Schmidt et al. 436/176
4,832,248 A * 5/1989 Soni et al. 228/56.3
D312,720 S * 12/1990 Greene D1/122
5,288,466 A * 2/1994 Burns 422/550
D356,643 S * 3/1995 Burns D24/224
5,762,515 A * 6/1998 Mele 439/367
D402,549 S * 12/1998 Nahum Albright D9/545
6,177,110 B1 * 1/2001 Chan 426/90
D444,887 S * 7/2001 Conway D24/224
6,261,611 B1 * 7/2001 Berman 426/90
D470,761 S * 2/2003 Kelvie D1/102
D479,767 S * 9/2003 Mudd D3/7
D483,030 S * 12/2003 Melton D14/230
7,014,877 B2 * 3/2006 Lobl 426/110
D528,304 S * 9/2006 Langer D4/116
D559,675 S * 1/2008 Webb et al. D9/417
D625,860 S * 10/2010 Bertken D26/37
D633,155 S * 2/2011 Brun D21/679
8,334,003 B2 * 12/2012 Baron 426/85
D693,564 S * 11/2013 Azar, Jr. D3/7
D708,416 S * 7/2014 Garcia Montemayor D1/105
D715,466 S * 10/2014 Wang D26/24
2012/0027895 A1 * 2/2012 Bach 426/110

* cited by examiner

Primary Examiner — Barbara Fox

Assistant Examiner — Katie Mroczka

(74) *Attorney, Agent, or Firm* — Schwegman Lundberg & Woessner, P.A.

(57) **CLAIM**

The ornamental design for a lollipop stick, as shown and described.

DESCRIPTION

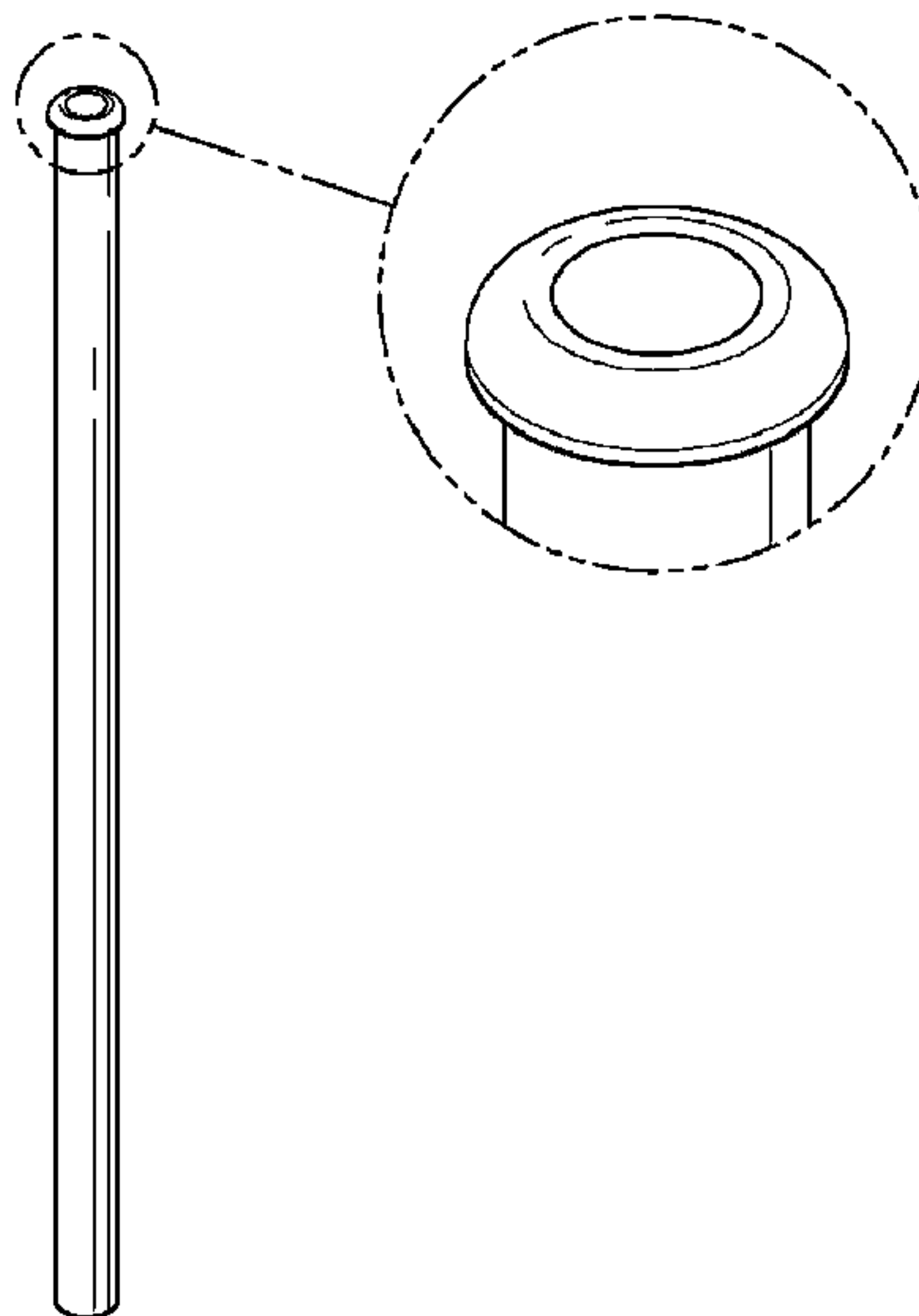
FIG. 1 is a perspective view from one angle of a lollipop stick, showing the new design.

FIG. 2 is a top view from a second angle of the lollipop stick.

FIG. 3 is a bottom view of the lollipop stick; and,

FIG. 4 is a side view of the lollipop stick.

1 Claim, 2 Drawing Sheets



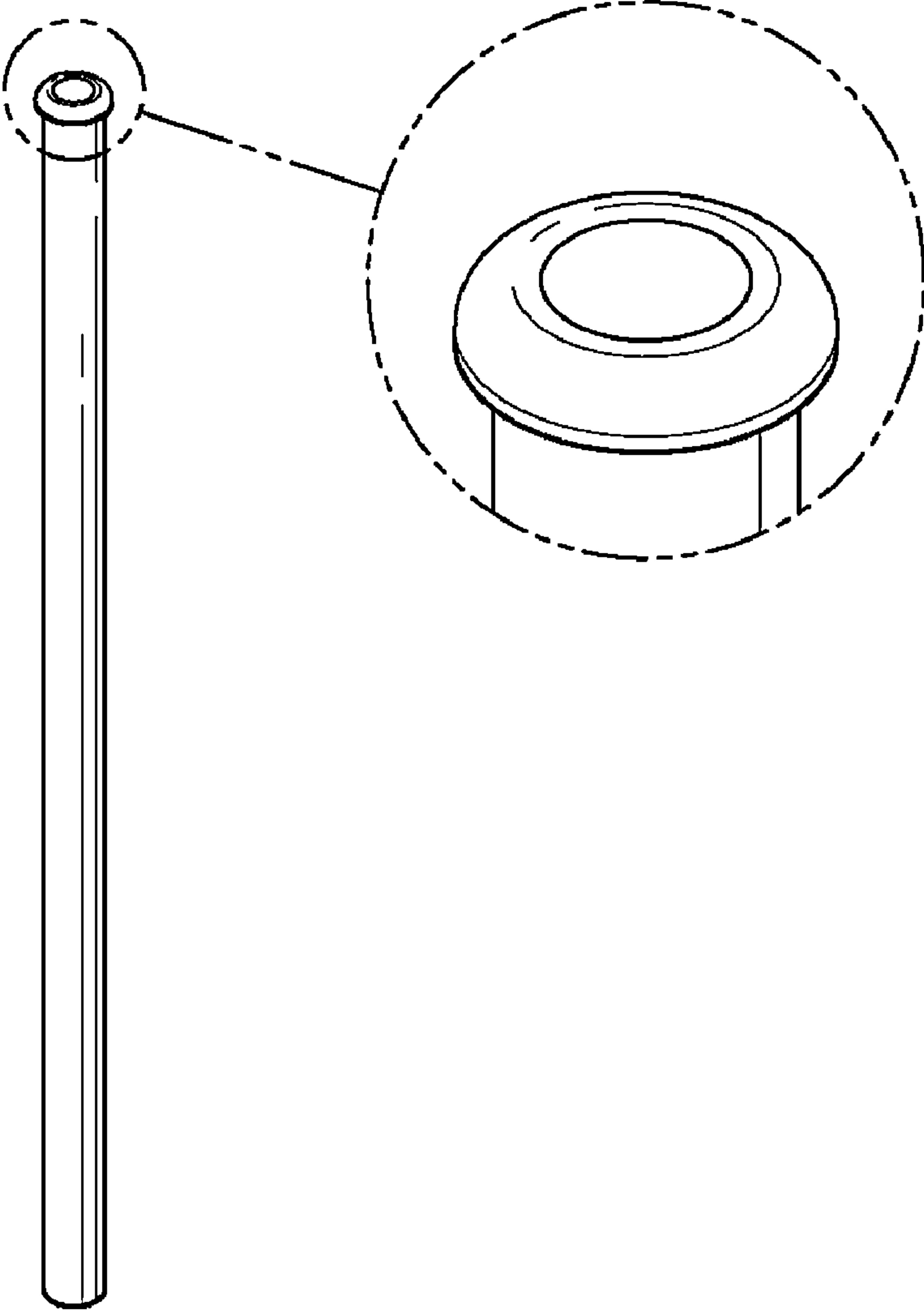


FIG. 1



FIG. 2



FIG. 3

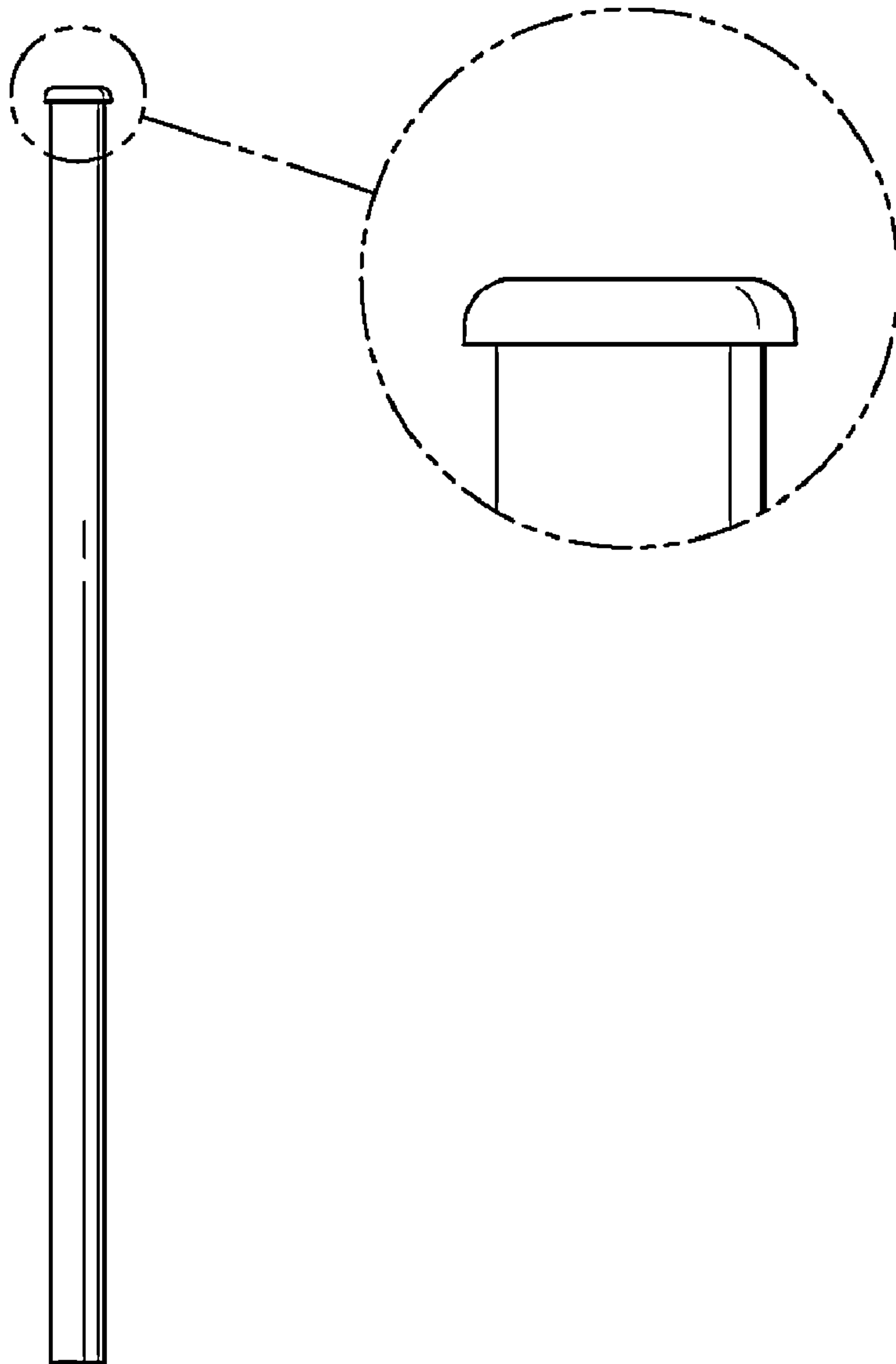


FIG. 4

UNITED STATES PATENT AND TRADEMARK OFFICE
CERTIFICATE OF CORRECTION

PATENT NO. : D728,191 S
APPLICATION NO. : 29/444398
DATED : May 5, 2015
INVENTOR(S) : Basileios Manikas et al.

Page 1 of 1

It is certified that error appears in the above-identified patent and that said Letters Patent is hereby corrected as shown below:

On the Title page, in item (73), in "Assignee", in column 1, line 1, delete "CC" and insert
--CC, Johannesburg--, therefor

Signed and Sealed this
Twenty-ninth Day of September, 2015



Michelle K. Lee
Director of the United States Patent and Trademark Office