



US00D728186S

(12) **United States Design Patent**  
**Clark**

(10) **Patent No.:** **US D728,186 S**  
(45) **Date of Patent:** **\*\* Apr. 28, 2015**

(54) **INDUSTRIAL HOIST**

(71) Applicant: **Joshua Thomas Clark**, Vancouver, WA  
(US)

(72) Inventor: **Joshua Thomas Clark**, Vancouver, WA  
(US)

(\*\*) Term: **14 Years**

(21) Appl. No.: **29/485,627**

(22) Filed: **Mar. 20, 2014**

(51) **LOC (10) Cl.** ..... **12-05**

(52) **U.S. Cl.**  
USPC ..... **D34/33**

(58) **Field of Classification Search**

CPC ..... B66F 3/24; B66F 5/04; B66C 23/36;  
B66C 23/48; B66C 23/62; B66C 23/50;  
B66C 19/02

USPC ..... D34/28, 33, 35; 414/785, 11; 212/294,  
212/295, 901; 254/2 R, 8 R

See application file for complete search history.

(56) **References Cited**

**U.S. PATENT DOCUMENTS**

D465,635 S \* 11/2002 Hong ..... D34/33  
7,581,713 B1 \* 9/2009 Voss ..... 254/2 R

D644,811 S \* 9/2011 Clark ..... D34/33  
2010/0072442 A1 \* 3/2010 Bolton ..... 254/325  
2011/0016628 A1 \* 1/2011 Masterson, Jr. .... 5/87.1

\* cited by examiner

*Primary Examiner* — Cynthia Ramirez

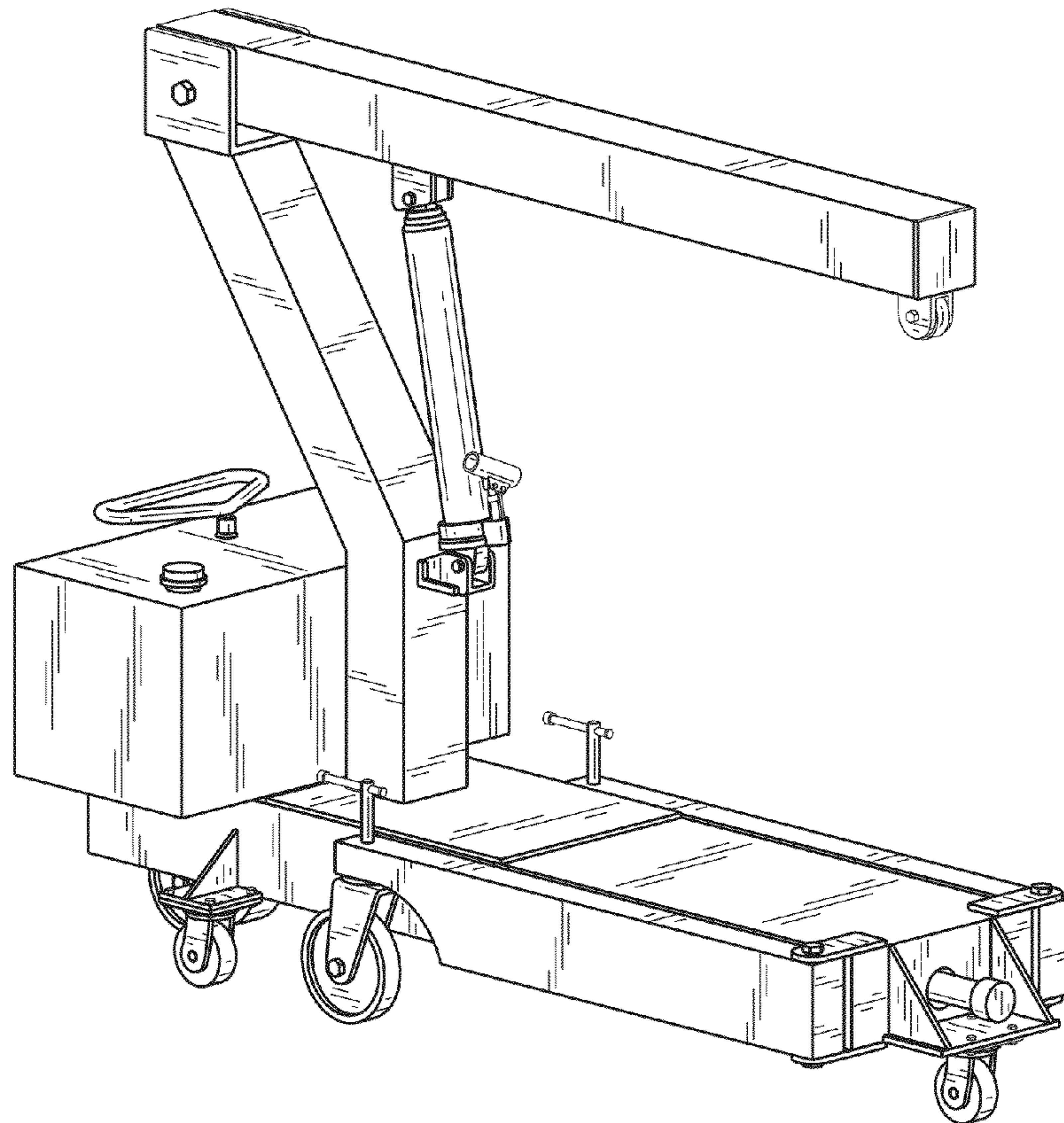
(57) **CLAIM**

The ornamental design for an industrial hoist, as shown and described.

**DESCRIPTION**

FIG. 1 is a perspective front view of an industrial hoist;  
FIG. 2 is a front elevation view of the industrial hoist;  
FIG. 3 is a rear elevation view of the industrial hoist;  
FIG. 4 is a left side elevation view of the industrial hoist;  
FIG. 5 is a right side elevation view of the industrial hoist;  
FIG. 6 is a top plan view of the industrial hoist;  
FIG. 7 is a bottom plan view of the industrial hoist; and,  
FIG. 8 is a left side view of the industrial hoist in an extended mode.

**1 Claim, 5 Drawing Sheets**



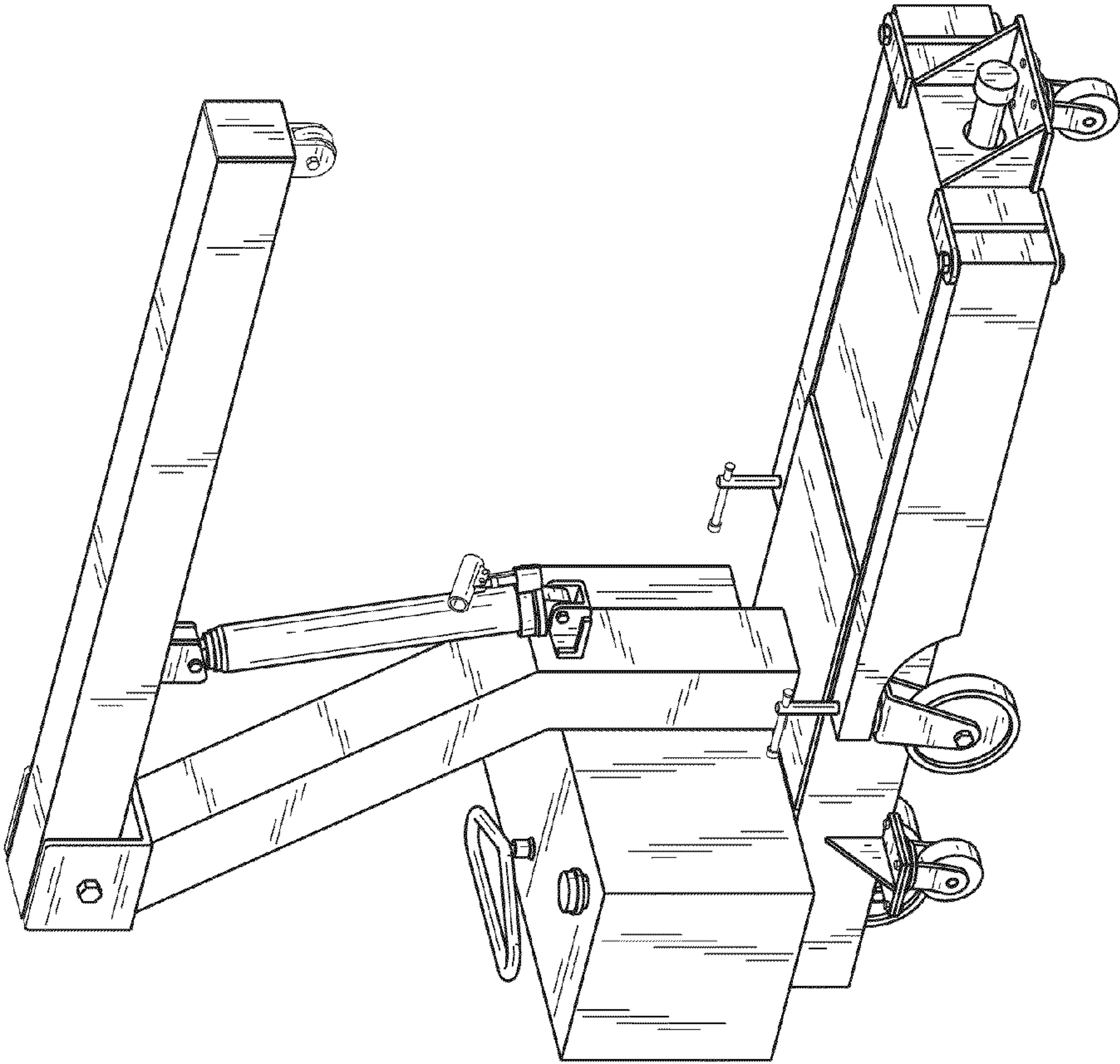


FIG. 1

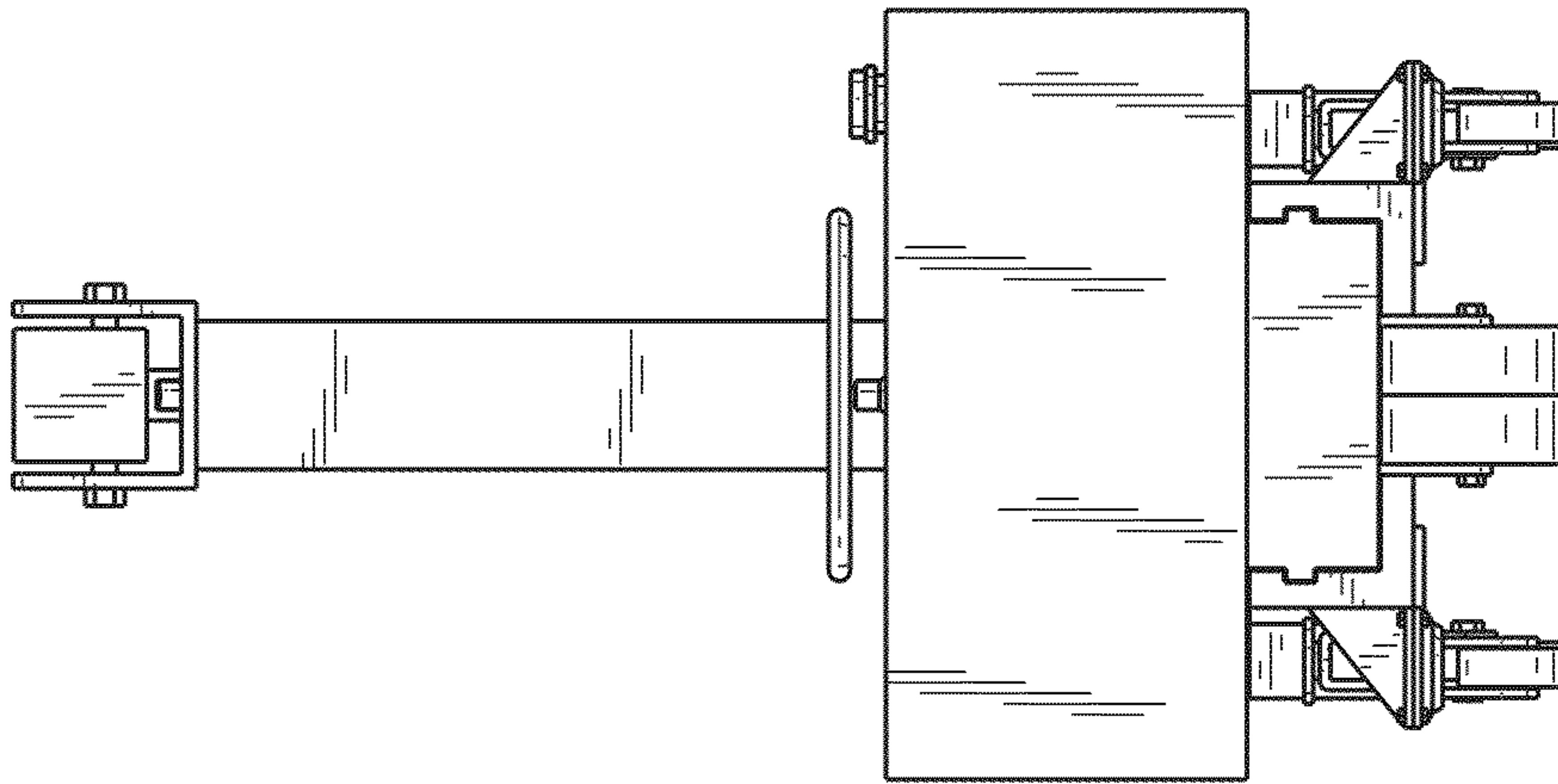


FIG. 3

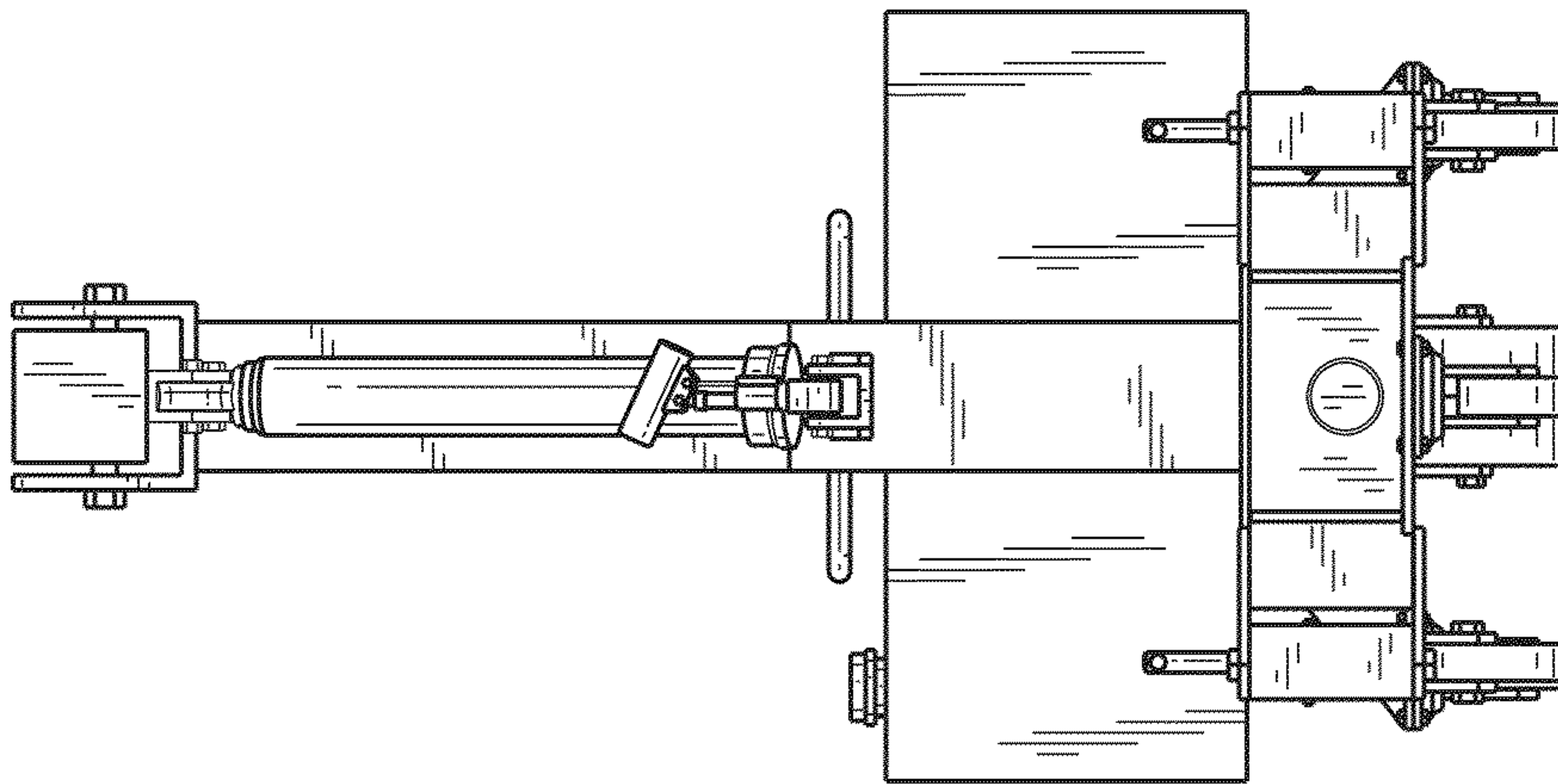


FIG. 2



FIG. 4

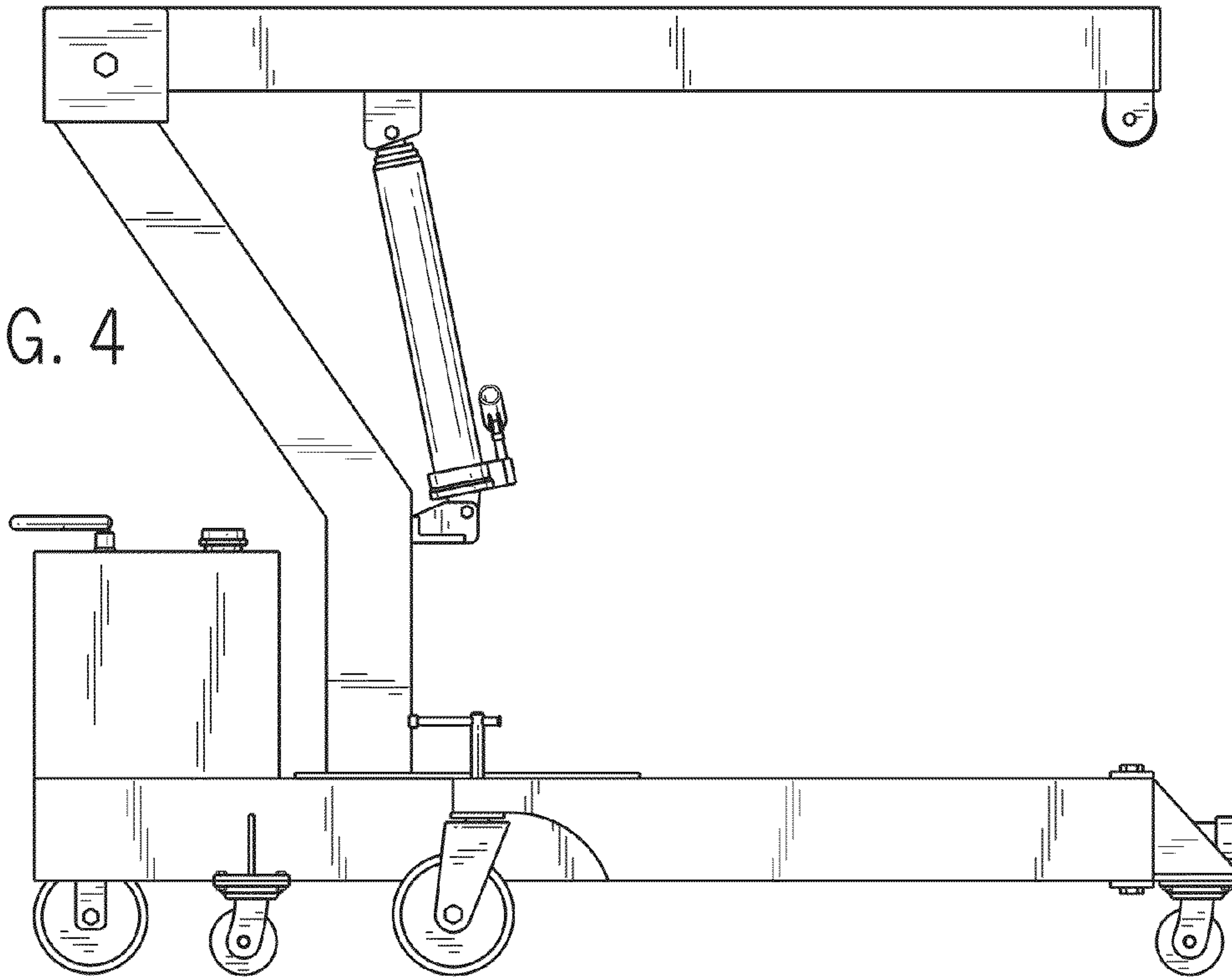
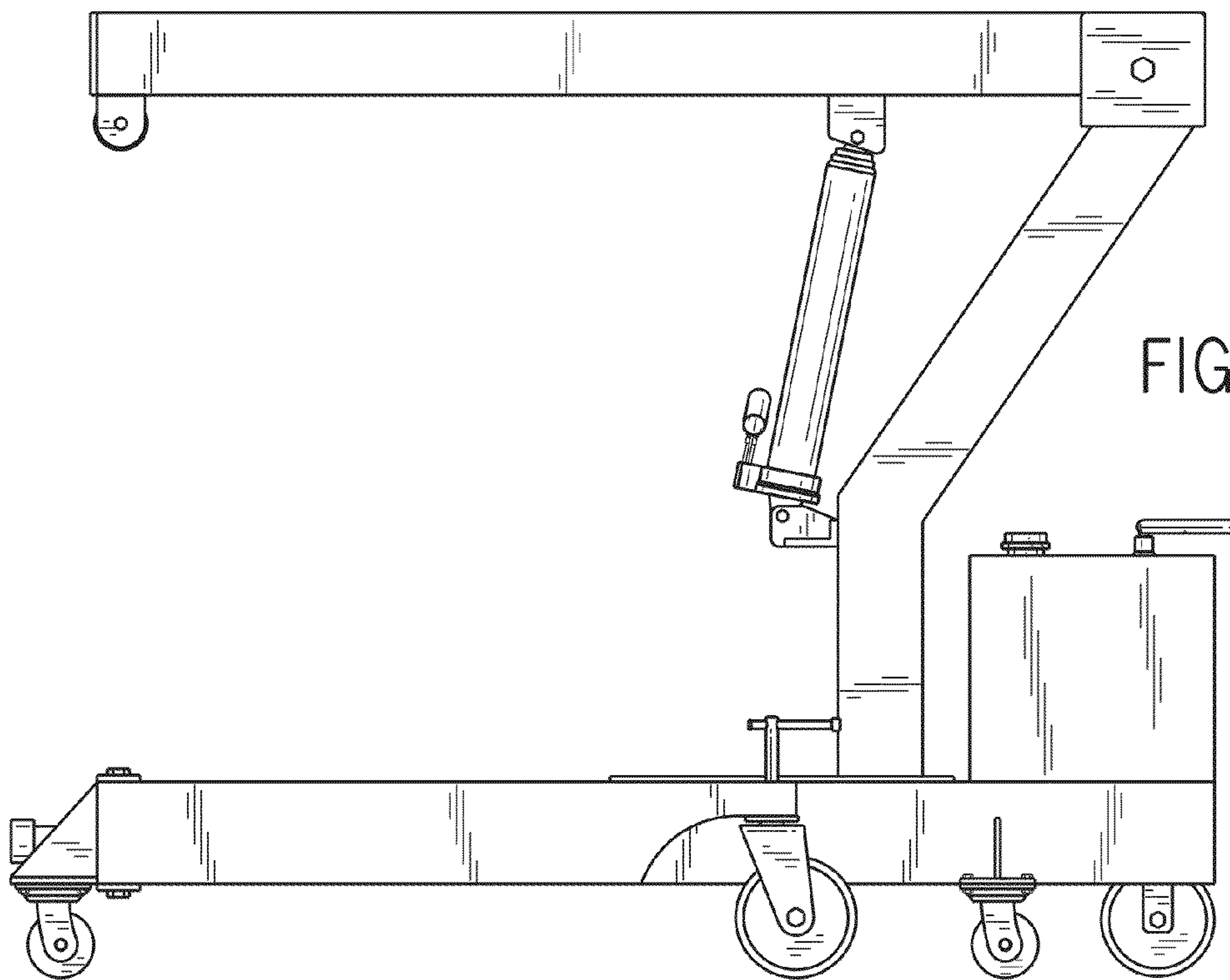


FIG. 5



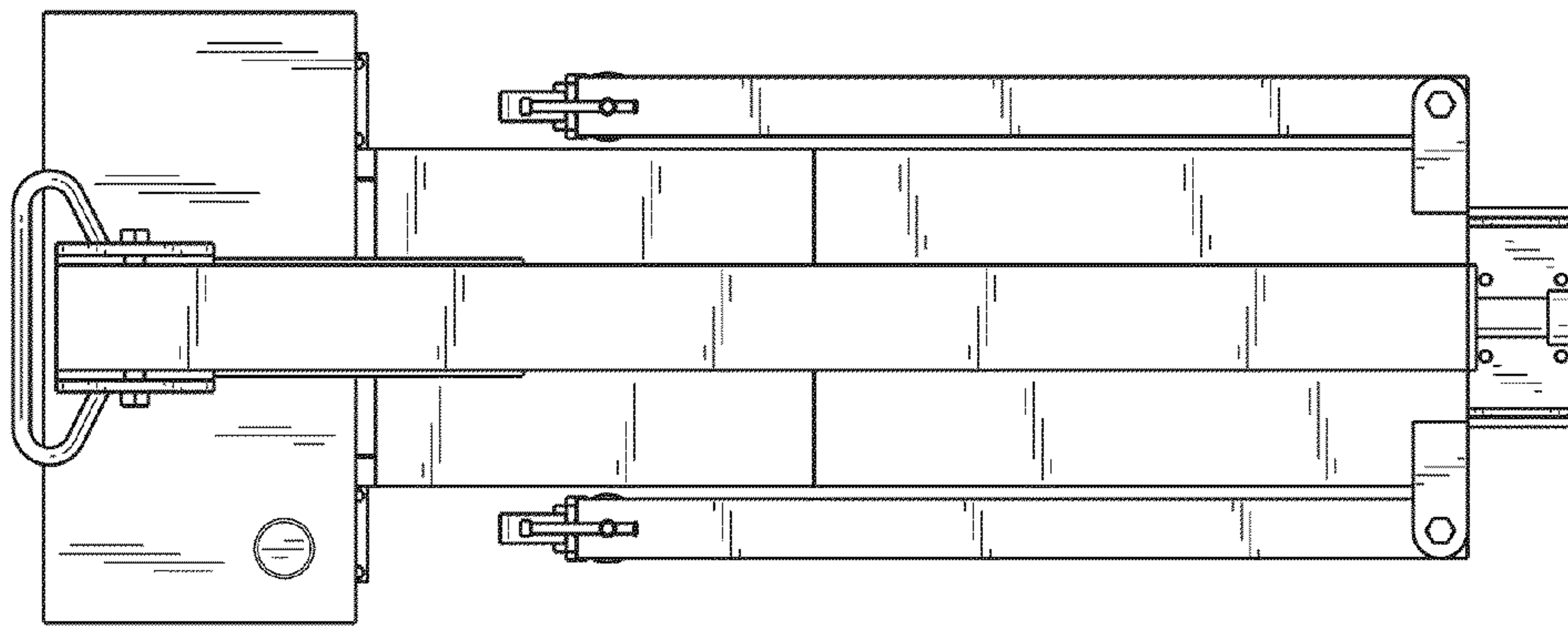


FIG. 6

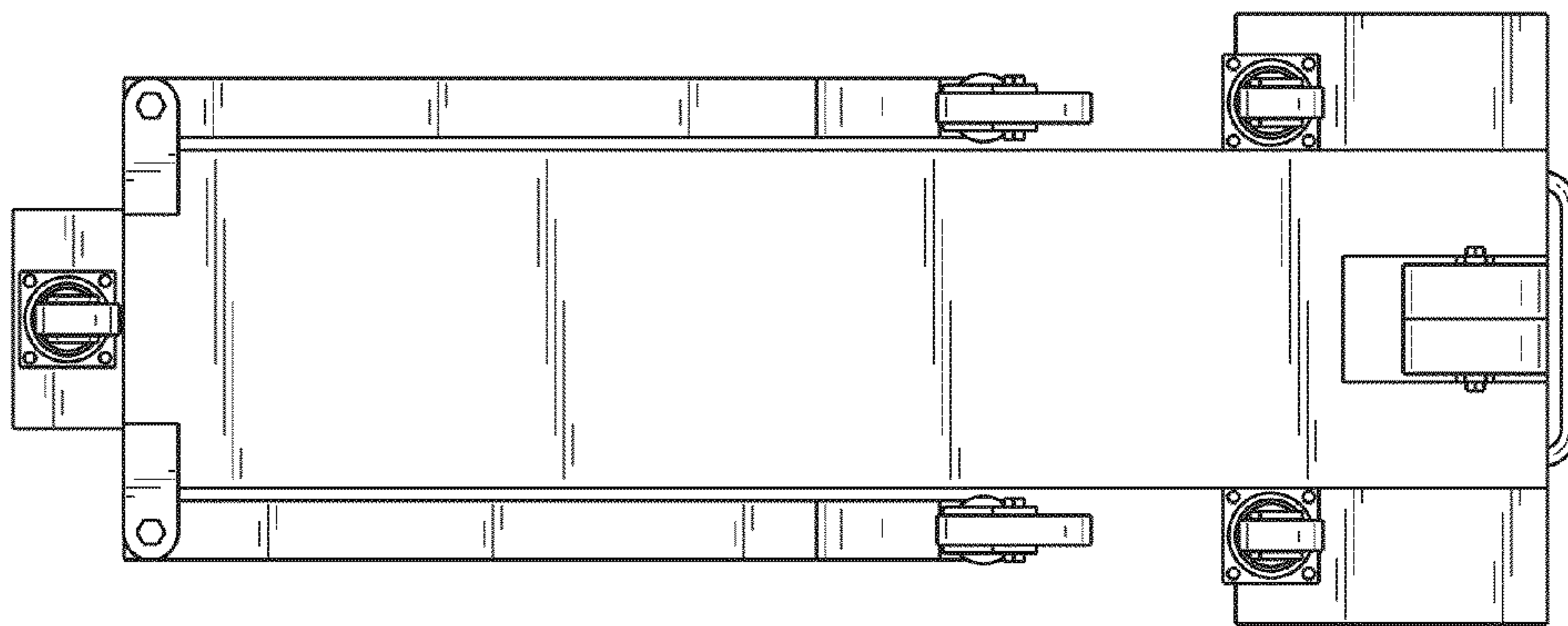


FIG. 7

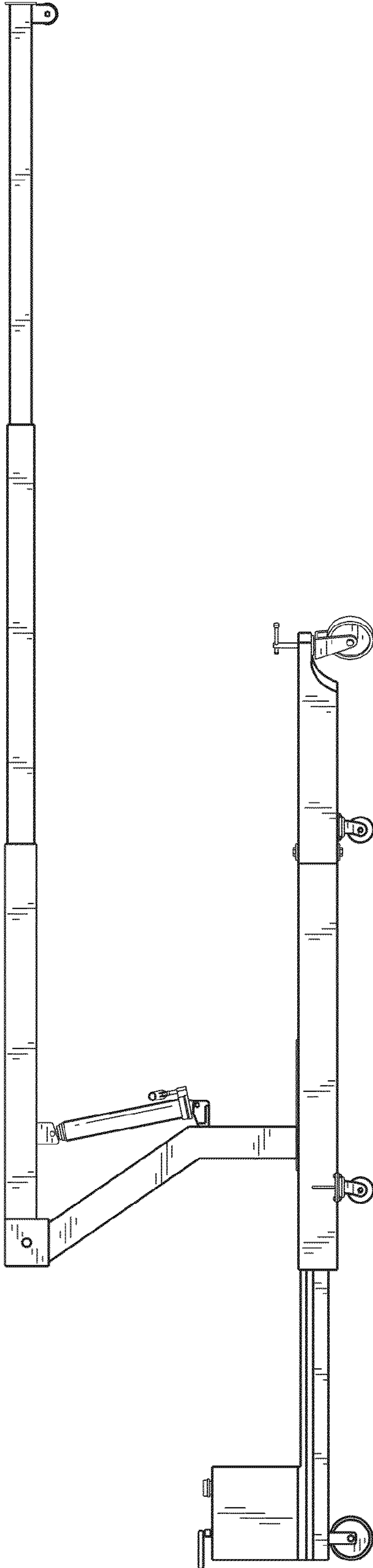


FIG. 8