



US00D728185S

(12) **United States Design Patent**
Pelc et al.

(10) **Patent No.:** **US D728,185 S**
(45) **Date of Patent:** **** Apr. 28, 2015**

(54) **TILTABLE LOCKABLE ELEVATING
PEDESTAL**

(71) Applicants: **Robert J. Pelc**, Bradenton, FL (US);
James Dean Upchurch, Bradenton, FL
(US)

(72) Inventors: **Robert J. Pelc**, Bradenton, FL (US);
James Dean Upchurch, Bradenton, FL
(US)

(73) Assignee: **The IPE Clip Fastener Co., LLC**,
Bradenton, FL (US)

(**) Term: **14 Years**

(21) Appl. No.: **29/449,405**

(22) Filed: **Mar. 15, 2013**

(51) **LOC (10) Cl.** **12-05**

(52) **U.S. Cl.**
USPC **D34/31**

(58) **Field of Classification Search**
CPC A47B 91/002
USPC D34/28, 31, 33; 52/126.6, 122.1,
52/745.05, 126.4, 126.7; 248/188.8,
248/188.4, 354, 3; 254/93 R, 18 R, 1, 2 R,
254/11, 12, 13
See application file for complete search history.

(56) **References Cited**

U.S. PATENT DOCUMENTS

D320,485 S *	10/1991	Huang	D34/31
D396,926 S *	8/1998	Underhill et al.	D34/31
6,332,292 B1 *	12/2001	Buzon	52/126.6
D548,422 S *	8/2007	Lee et al.	D34/35
7,866,096 B2 *	1/2011	Lee et al.	52/126.6

7,921,612 B2 *	4/2011	Knight et al.	52/126.6
D641,534 S	7/2011	Lee		
D642,765 S *	8/2011	Long	D34/28
D644,404 S	8/2011	Lee		
D649,434 S *	11/2011	Lalancette et al.	D8/354
8,256,175 B2 *	9/2012	Buzon	52/263
D679,883 S *	4/2013	Bucknor	D34/31
8,690,109 B2 *	4/2014	Haworth et al.	248/219.2
8,733,717 B2 *	5/2014	Devereux	248/188.8
2003/0070372 A1 *	4/2003	Favero	52/220.1
2004/0261329 A1 *	12/2004	Kugler et al.	52/126.6
2009/0183442 A1 *	7/2009	Repasky	52/126.6
2010/0058679 A1 *	3/2010	Greaves	52/126.6

* cited by examiner

Primary Examiner — Cynthia Ramirez

(74) *Attorney, Agent, or Firm* — Patricia M. Costanzo, Esq.

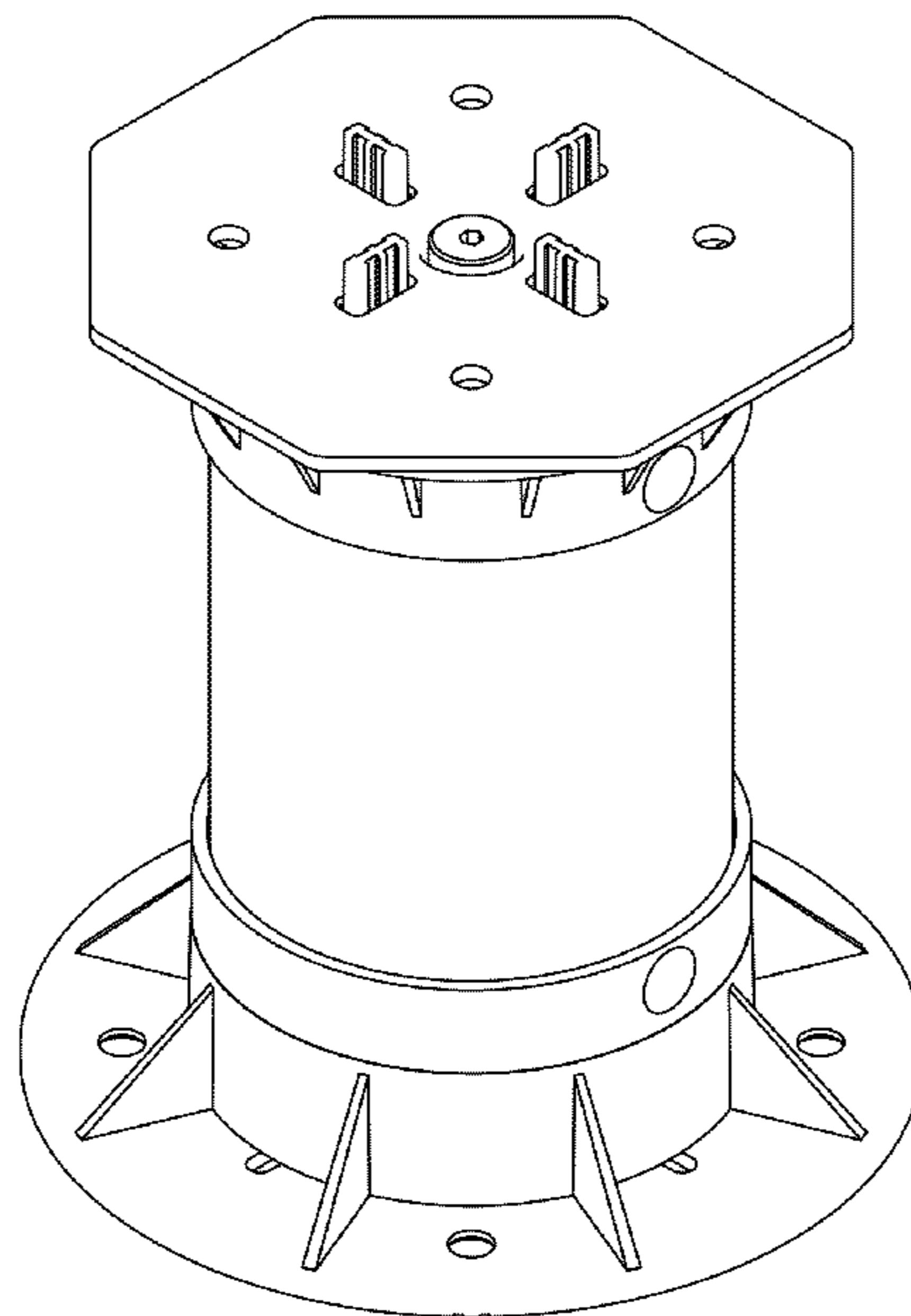
(57) **CLAIM**

The ornamental design for a tiltable lockable elevating pedestal, as shown and described.

DESCRIPTION

FIG. 1 is a perspective top end view of a tiltable lockable elevating pedestal showing our new design; FIG. 2 is a perspective bottom view thereof; FIG. 3 is a top plan view thereof; FIG. 4 is a bottom plan view thereof; FIG. 5 is an elevation view of one side thereof; FIG. 6 is an elevation view of the other side thereof; FIG. 7 is a perspective top view of an alternate embodiment showing a shorter center, the other areas of the pedestal being as shown in the embodiment of FIG. 1; FIG. 8 is a perspective bottom view thereof, the other areas of the pedestal being as shown in the embodiment of FIG. 1; and, FIG. 9 is an elevation side view of the embodiment of FIG. 1 in use.

1 Claim, 7 Drawing Sheets



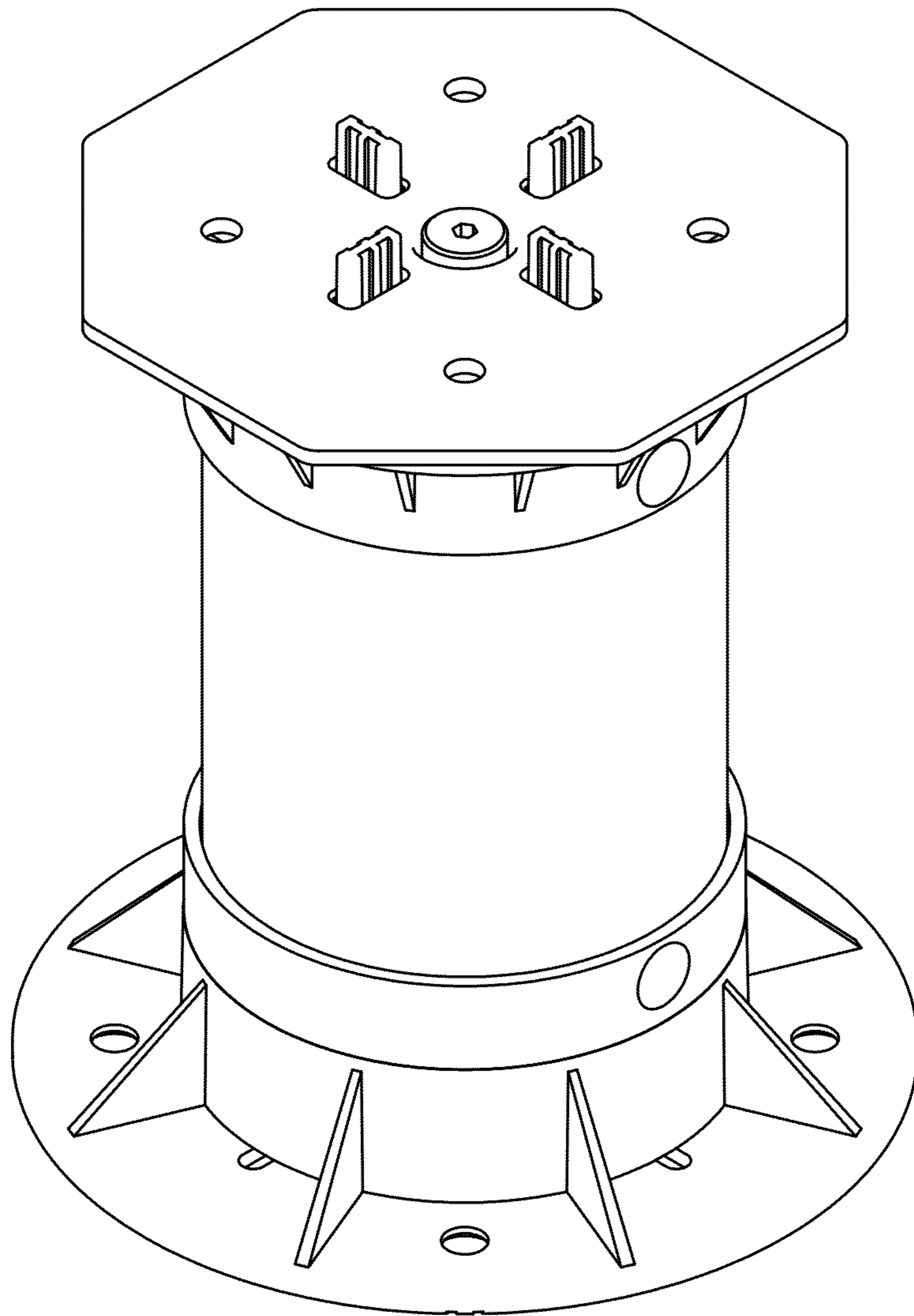


FIG. 1

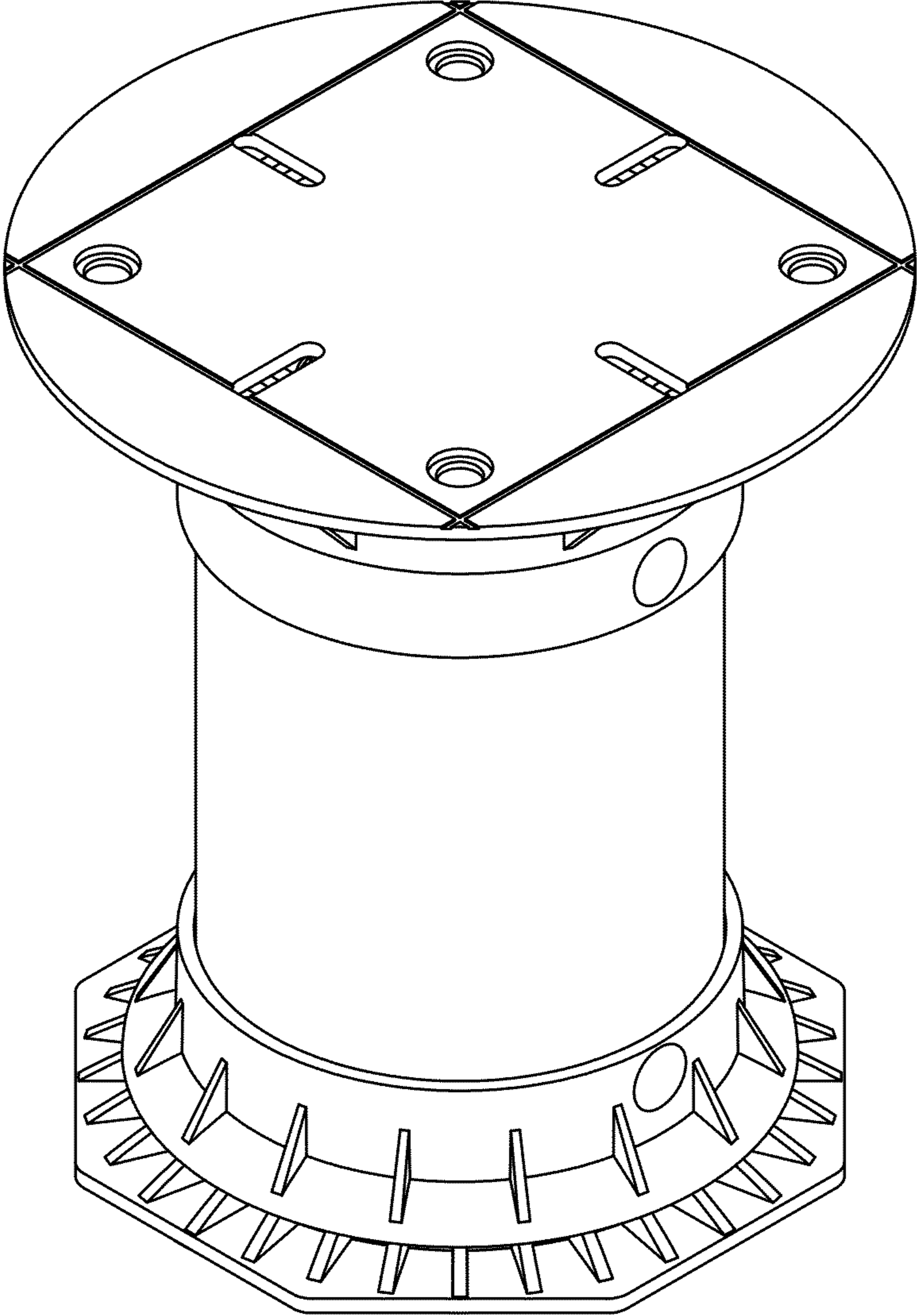


FIG. 2

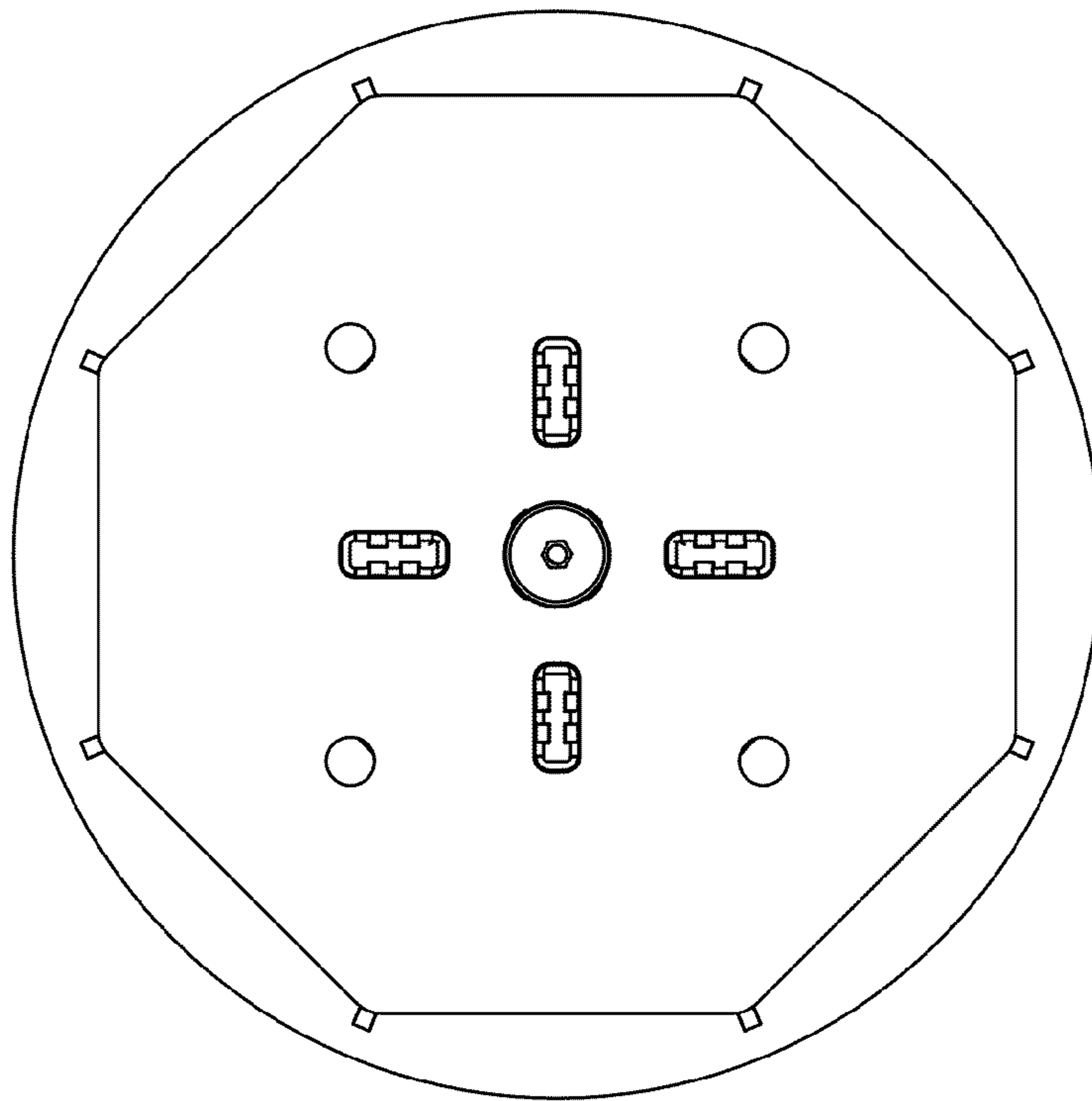


FIG. 3

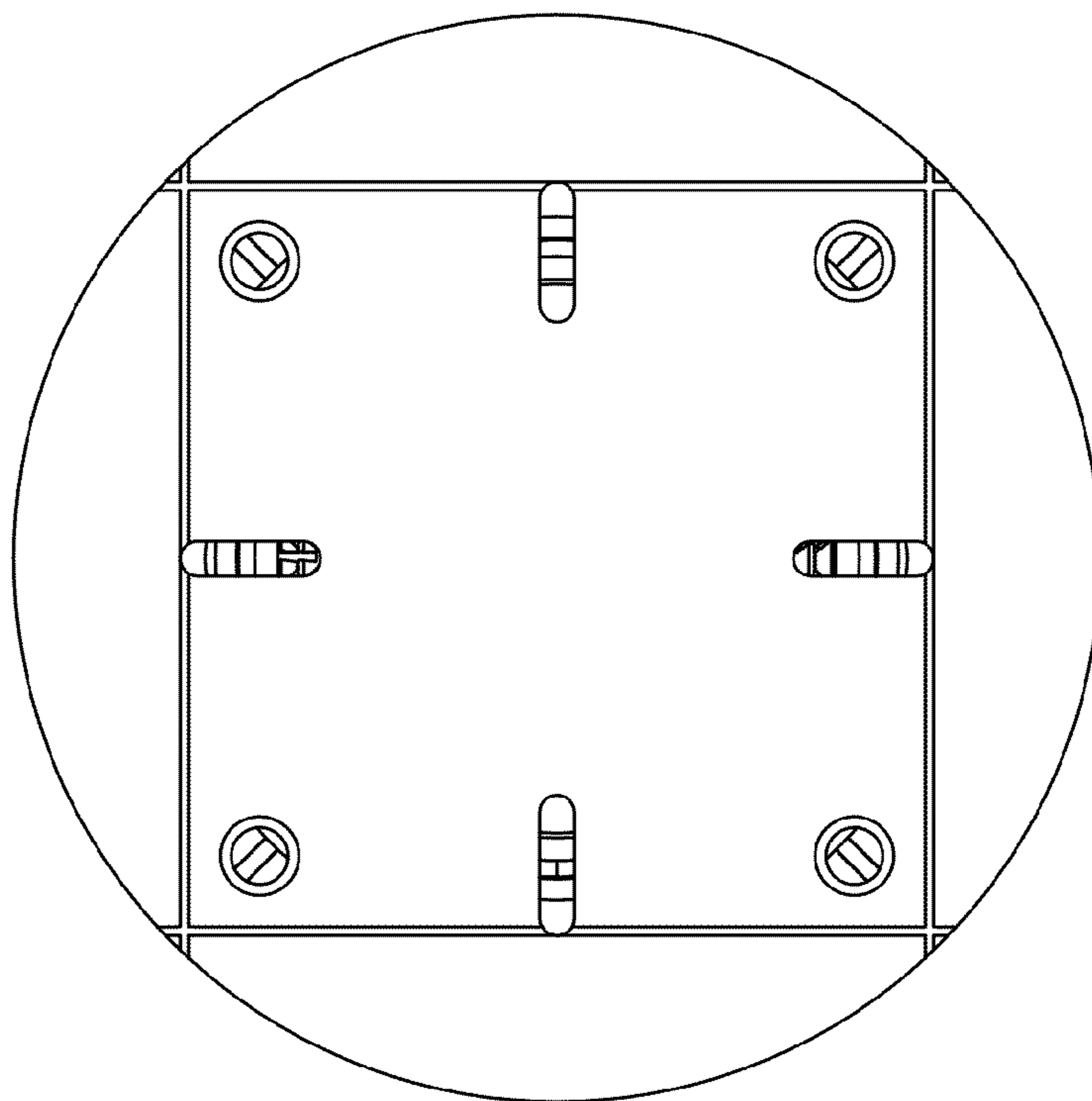


FIG. 4

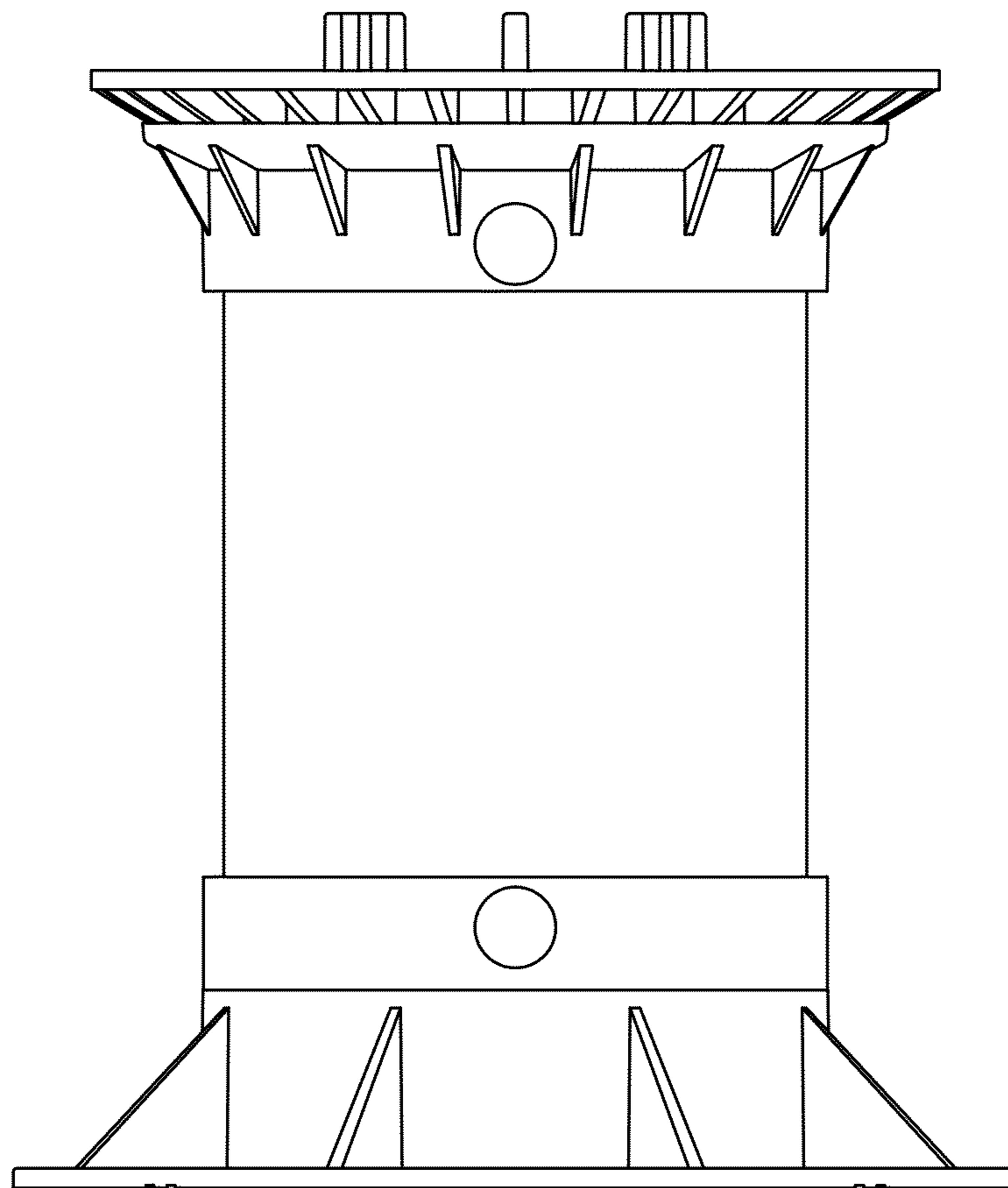


FIG. 5

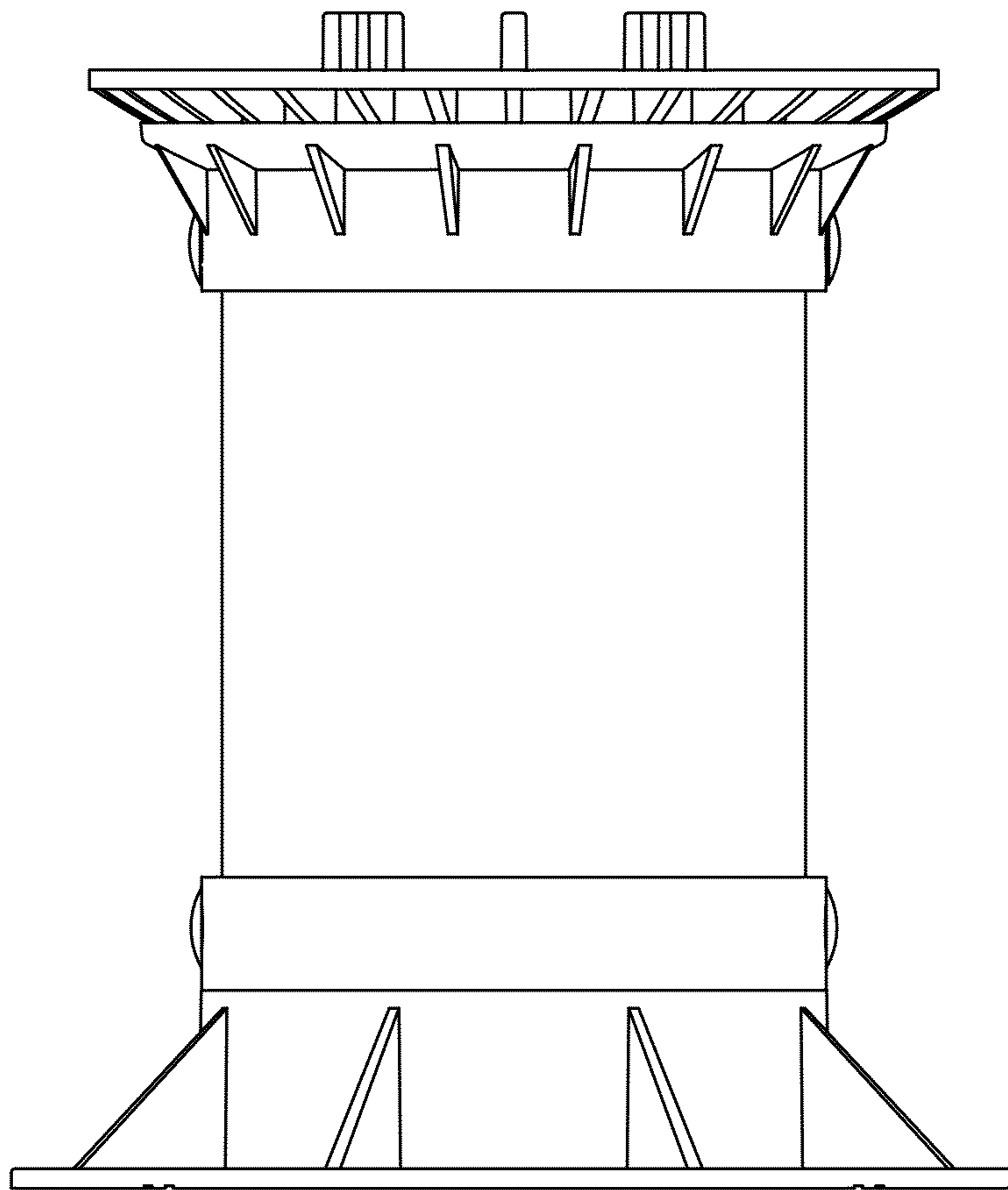


FIG. 6

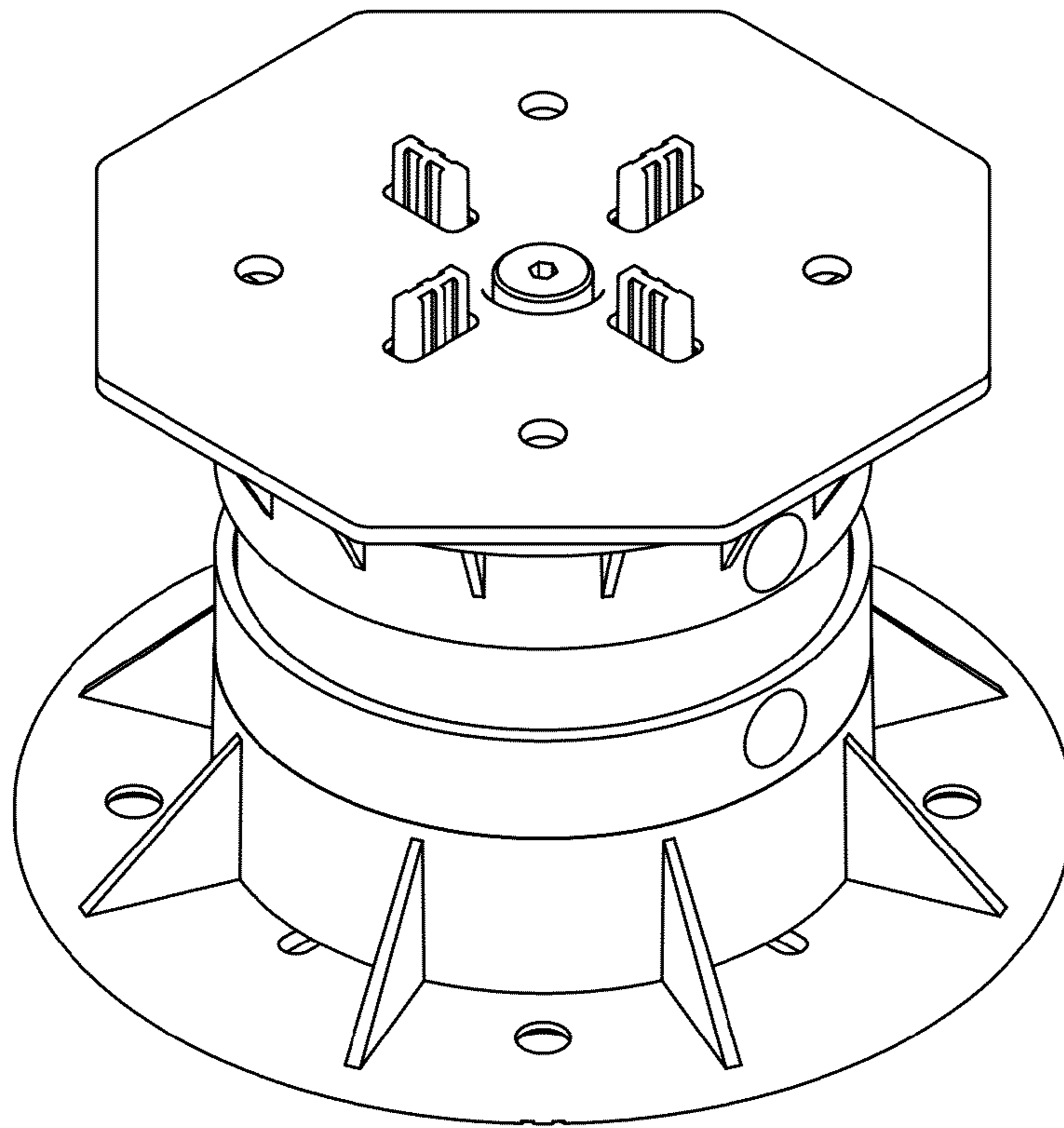


FIG. 7

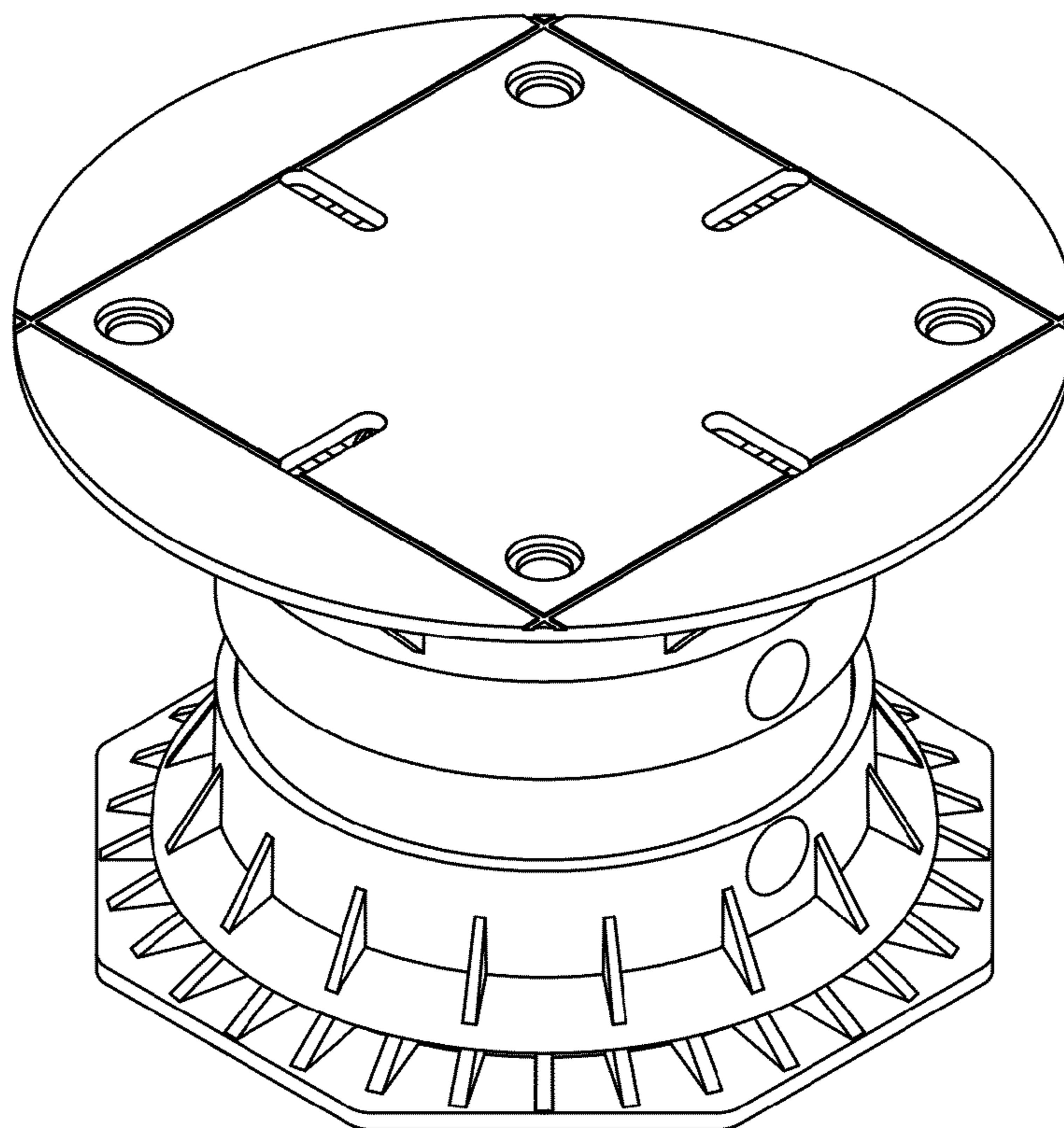


FIG. 8

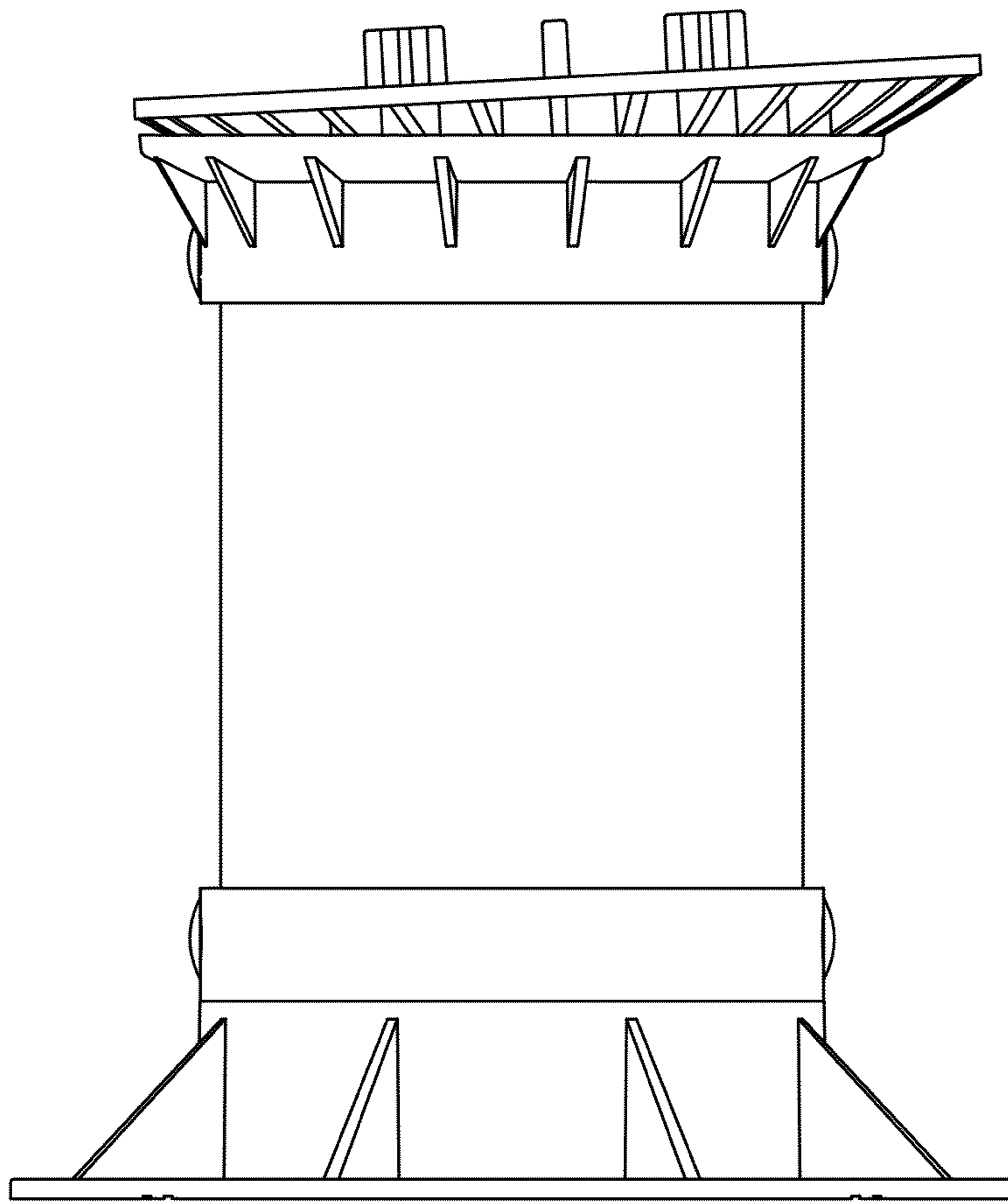


FIG. 9