



US00D728184S

(12) **United States Design Patent**
Hoggatt et al.

(10) **Patent No.:** **US D728,184 S**

(45) **Date of Patent:** **** Apr. 28, 2015**

(54) **BAG HOLDER**

(71) Applicant: **Purdue Research Foundation**, West Lafayette, IN (US)

(72) Inventors: **Tamm Jon Hoggatt**, Lafayette, IN (US); **Michael J Gulich**, West Lafayette, IN (US); **Verlin Dean Lindley**, West Lafayette, IN (US)

(73) Assignee: **Purdue Research Foundation**, West Lafayette, IN (US)

(**) Term: **14 Years**

(21) Appl. No.: **29/479,644**

(22) Filed: **Jan. 17, 2014**

(51) **LOC (10) Cl.** **09-09**

(52) **U.S. Cl.**
USPC **D34/6**

(58) **Field of Classification Search**

CPC B65F 1/1415; B65F 1/1468; B65F 1/06;
B65B 67/1227; B65B 67/12; B65B 67/1205;
B65B 67/1255; B65B 39/06; B62B 1/06
USPC D34/1-11; 248/95, 97, 99, 100, 101,
248/313; 220/737, 751; 224/183; D3/215,
D3/228; D12/420; 280/33.992; D7/620

See application file for complete search history.

(56) **References Cited**

U.S. PATENT DOCUMENTS

3,113,677	A *	12/1963	Johnson	224/482
3,888,442	A	6/1975	Comeaux		
4,488,697	A	12/1984	Garvey		
4,531,246	A	7/1985	Earley		
4,775,123	A	10/1988	Borland et al.		
5,020,751	A	6/1991	Larkin		
5,033,703	A	7/1991	Allen, Sr.		
D324,441	S *	3/1992	Werner	D34/5

D326,589	S *	6/1992	White et al.	D7/620
D336,704	S *	6/1993	Foden	D34/6
D360,510	S *	7/1995	Slovak	D34/5
5,588,622	A *	12/1996	Gordon, Sr.	248/101
D379,288	S *	5/1997	Azar	D7/620
6,076,783	A	6/2000	Card		
D473,760	S *	4/2003	Perez	D7/620
6,606,996	B1 *	8/2003	Thornell et al.	131/241
6,607,088	B2	8/2003	Cestrone		
D489,577	S *	5/2004	Giampavolo	D7/620
D537,598	S *	2/2007	Moore	D34/5
D559,043	S *	1/2008	Peota et al.	D7/620
7,350,547	B2 *	4/2008	Quiring	141/391
7,789,441	B1 *	9/2010	Conway	294/1.3
D625,150	S *	10/2010	Ciarrocchi, Jr.	D7/600.1
D632,447	S *	2/2011	Lutz	D34/6
D667,601	S *	9/2012	Fitzpatrick et al.	D34/6
D669,317	S *	10/2012	Giampavolo et al.	D7/620
2008/0237284	A1 *	10/2008	Peota et al.	224/411
2009/0014603	A1 *	1/2009	Zima	248/101
2009/0230258	A1 *	9/2009	McFadden	248/101
2010/0252694	A1	10/2010	Bathols et al.		
2012/0091174	A1 *	4/2012	Breeze	224/222
2014/0138397	A1 *	5/2014	Ciarrocchi, Jr.	220/751

* cited by examiner

Primary Examiner — Cynthia Ramirez

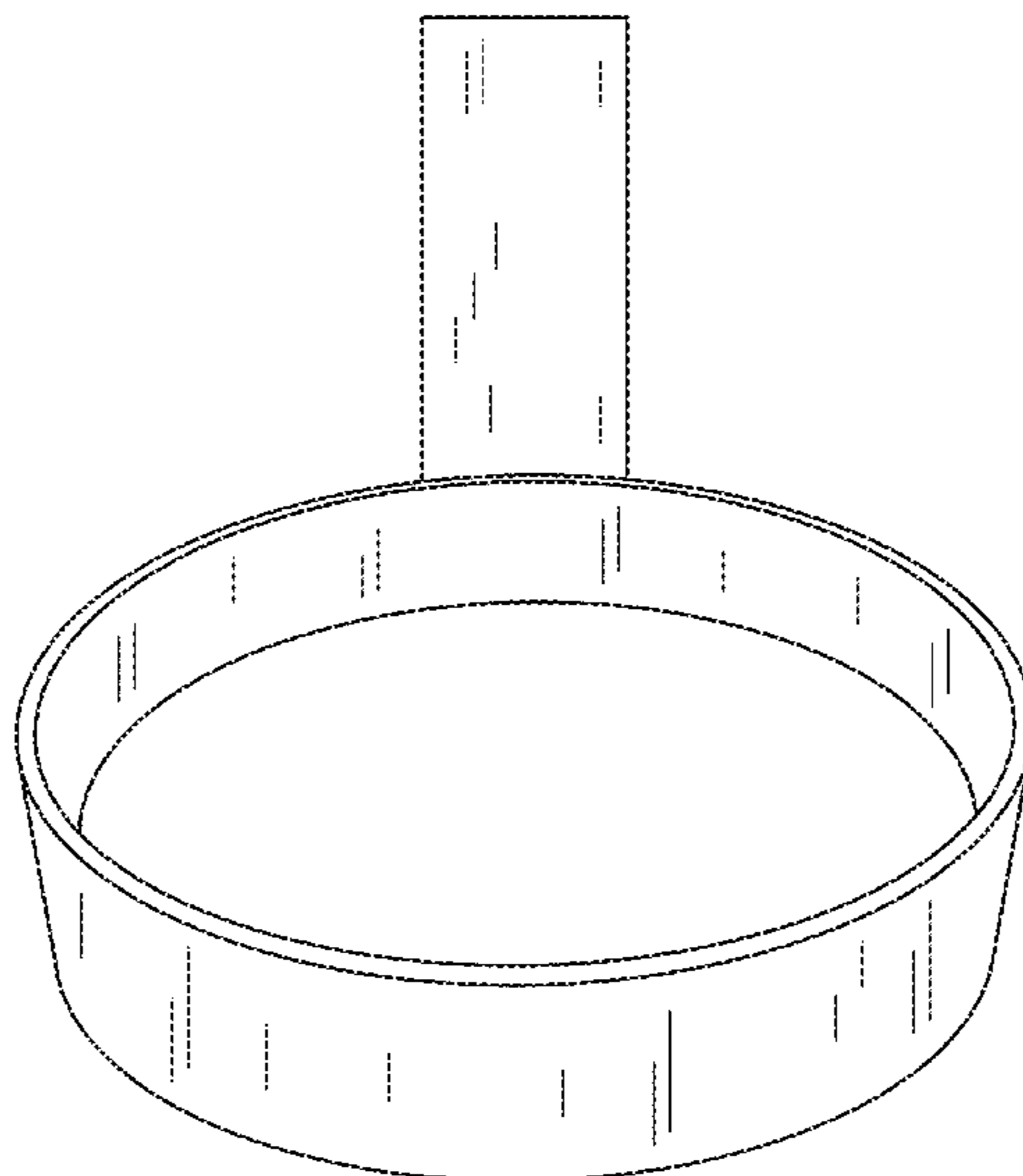
(57) **CLAIM**

The ornamental design of a bag holder, as shown and described.

DESCRIPTION

FIG. 1 is an enlarged front perspective view of a bag holder showing our new design;
FIG. 2 is an enlarged right side perspective view thereof;
FIG. 3 is an illustrative front perspective view thereof; and,
FIG. 4 is a left side perspective view thereof.
The broken line showing of a bag is included for the purpose of illustrating environment and forms no part of the claimed design.

1 Claim, 4 Drawing Sheets



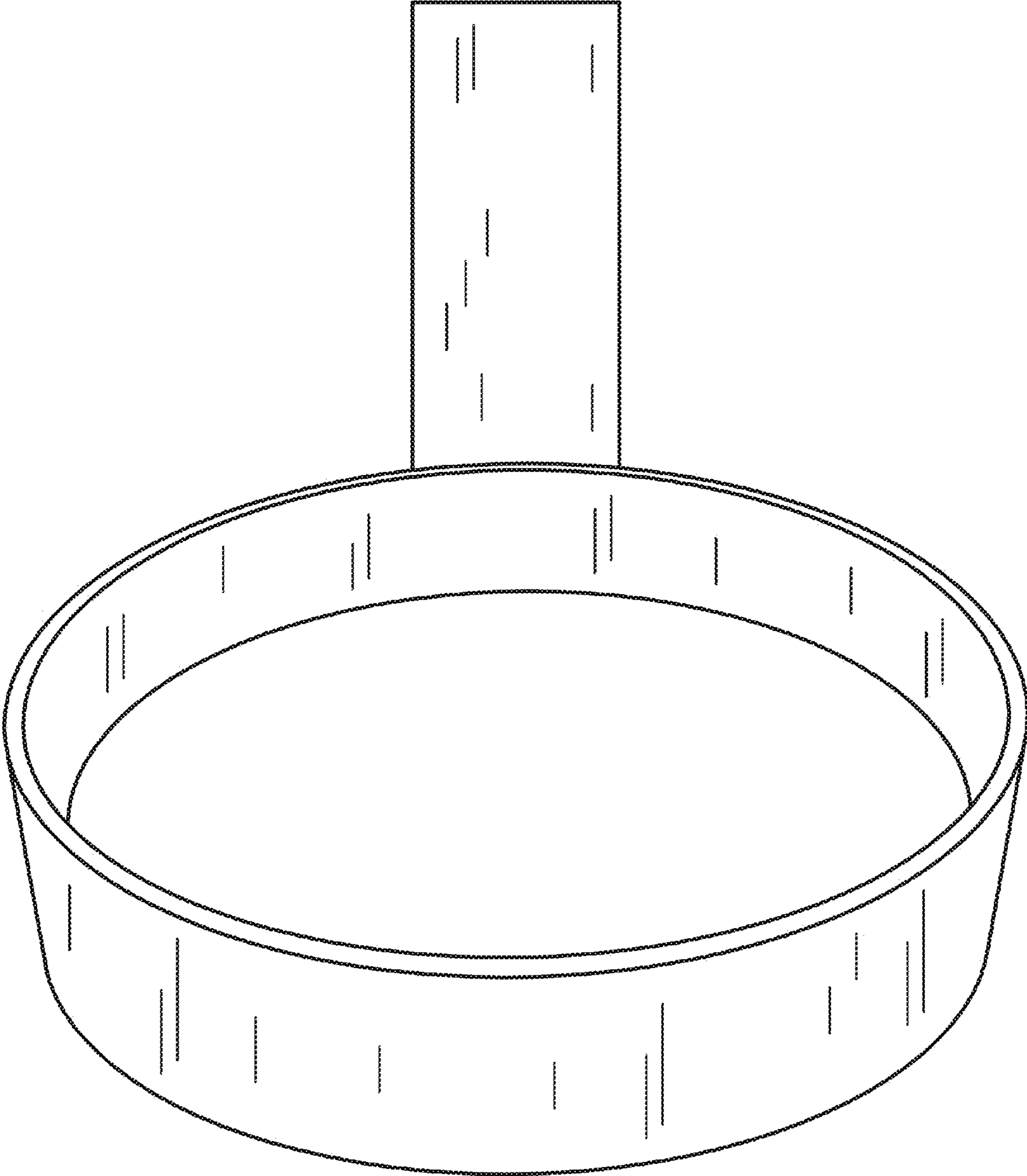


FIG. 1

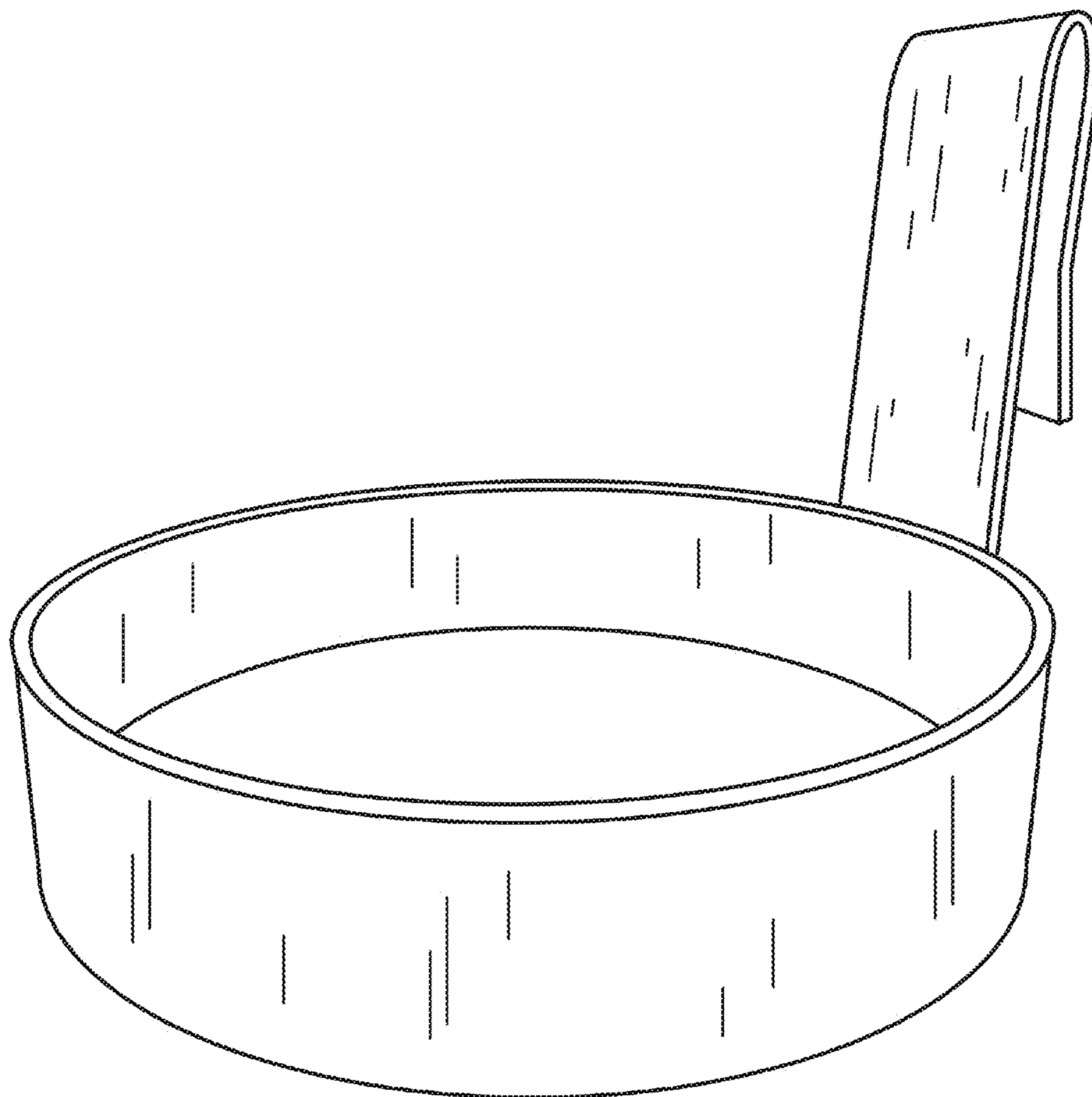


FIG. 2

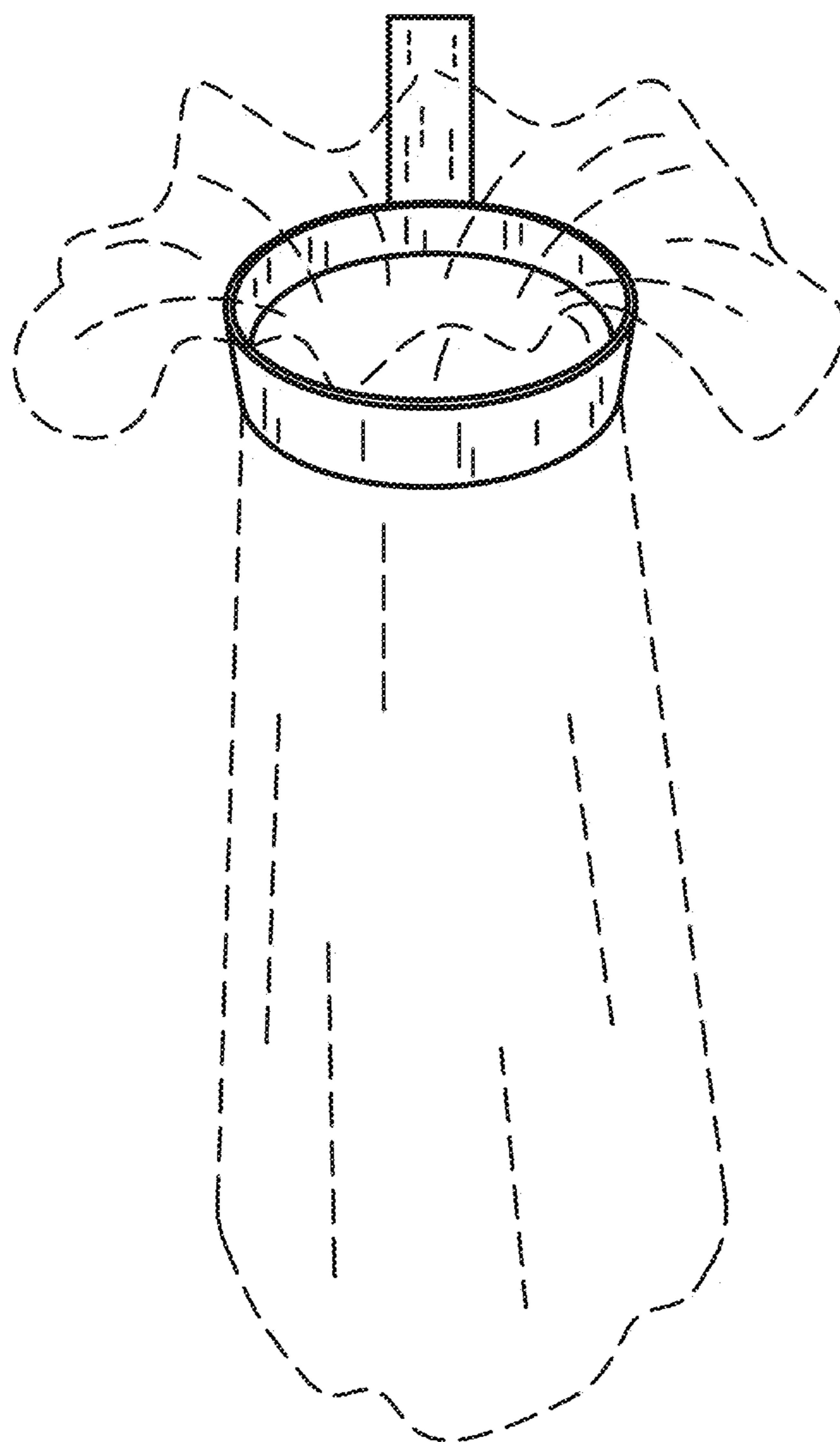


FIG. 3

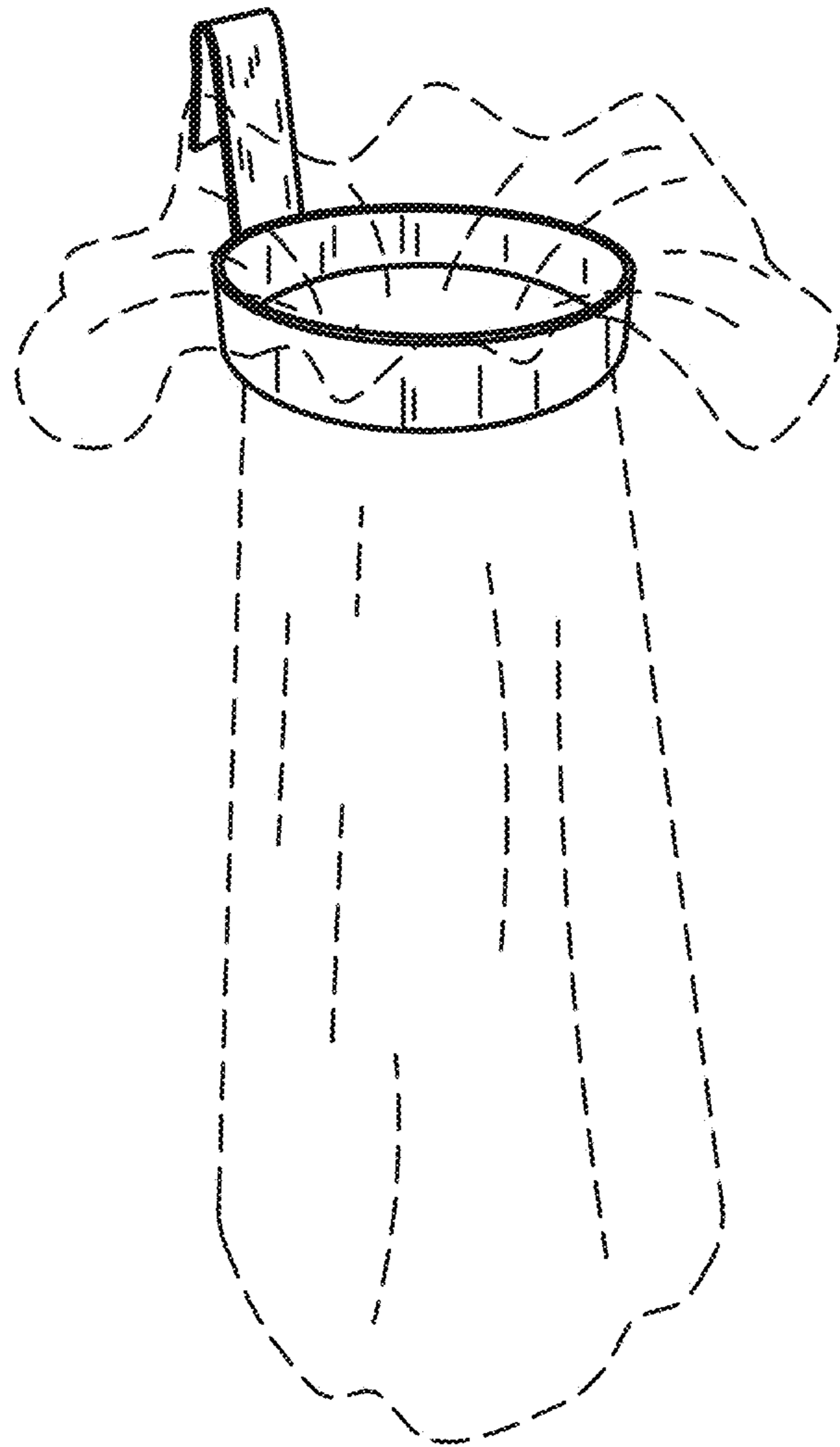


FIG. 4