



US00D728183S

(12) **United States Design Patent**
Harris

(10) **Patent No.:** **US D728,183 S**
(45) **Date of Patent:** **** Apr. 28, 2015**

- (54) **TRASH RECEPTACLE**
- (71) Applicant: **Andre Harris**, Bowie, MD (US)
- (72) Inventor: **Andre Harris**, Bowie, MD (US)
- (**) Term: **14 Years**
- (21) Appl. No.: **29/453,455**
- (22) Filed: **Apr. 29, 2013**
- (51) **LOC (10) Cl.** **09-09**
- (52) **U.S. Cl.**
USPC **D34/1**
- (58) **Field of Classification Search**
CPC B65F 2220/1063; B65D 25/16; B65D
83/206; B65D 83/24; B65D 83/75; B65D
2203/12; B65D 25/14; B65D 31/16; B65D
33/002; B65D 33/065; B65D 43/26; B65D
83/0894
USPC D34/1-11; 101/494; 215/382, 900;
99/532, 345; 137/565.17; D7/602, 669,
D7/512, 532; 222/105, 184, 92, 210;
482/112; D9/683, 416, 502; D21/692,
D21/798; D24/197
See application file for complete search history.

- D449,381 S * 10/2001 de Begon de
Larouziere D24/197
- 6,334,543 B1 * 1/2002 Abbondandolo 220/666
- D461,402 S * 8/2002 Soehnlén et al. D9/683
- 6,431,406 B1 * 8/2002 Pruett 222/210
- D474,973 S * 5/2003 Higuchi D9/502
- D483,225 S * 12/2003 Gain D7/512
- D486,192 S * 2/2004 Pointer, Jr. D21/692

(Continued)

OTHER PUBLICATIONS

Google Search, Dec. 4, 2014, Accordion Receptacle, shown in p. 1 of 1.*

Primary Examiner — Cynthia Ramirez
Assistant Examiner — Gino Colan
(74) *Attorney, Agent, or Firm* — Gulf Coast Intellectual Property Group

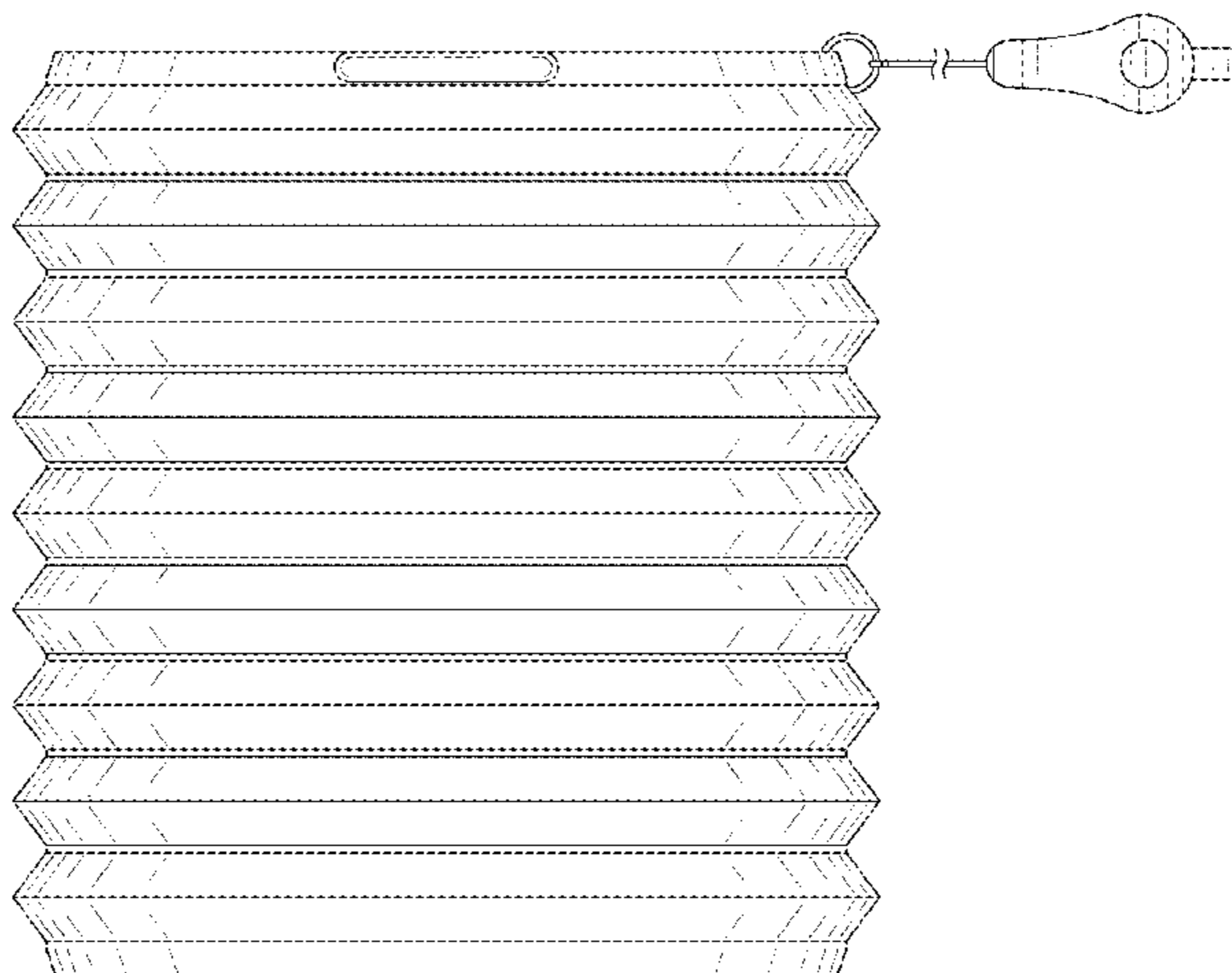
(57) **CLAIM**
The ornamental design for a trash receptacle, as shown and described.

DESCRIPTION

FIG. 1 is a left side view of the present invention in its extended position; and
FIG. 2 is a left side view of the present invention in its collapsed position; and
FIG. 3 is a right side view of the present invention in its extended position; and
FIG. 4 is a right side view of the present invention in its collapsed position; and
FIG. 5 is a top view of the present invention; and
FIG. 6 is a bottom view of the present invention; and,
FIG. 7 is a perspective view of the present invention.
The broken line showing a mailbox is included for the purpose of illustrating environment and forms no part of the claimed design.
The leash is shown with a symbolic break in its length. The appearance of any portion of the article between the break lines forms no part of the claimed design.

1 Claim, 4 Drawing Sheets

- (56) **References Cited**
U.S. PATENT DOCUMENTS
- 3,939,887 A * 2/1976 Scarnato 220/666
- 3,939,888 A * 2/1976 Scarnato 220/666
- D262,808 S * 1/1982 Kyo D21/692
- 4,428,507 A * 1/1984 Sneider 222/105
- D318,800 S * 8/1991 Serkes et al. D9/556
- 5,269,428 A * 12/1993 Gilbert 222/1
- D370,388 S * 6/1996 Cusick et al. D7/512
- D372,667 S * 8/1996 Mazda D9/683
- D372,669 S * 8/1996 Mazda D9/683
- 5,667,101 A * 9/1997 Barrash et al. 222/92
- 5,758,789 A * 6/1998 Shin et al. 215/382
- D401,344 S * 11/1998 Bonds D24/197
- 5,979,326 A * 11/1999 Ohinata 101/494
- D420,413 S * 2/2000 Gonzalez D21/798



(56)

References Cited

U.S. PATENT DOCUMENTS

6,702,143 B2 *	3/2004	Wang	220/666	D636,271 S *	4/2011	Kriesel	D9/683
6,763,973 B1 *	7/2004	Hudkins	222/1	D646,934 S *	10/2011	Peters et al.	D7/602
6,840,164 B2 *	1/2005	Eastman	99/532	D689,155 S *	9/2013	Jahns	D21/692
D509,146 S *	9/2005	Higuchi	D9/683	D691,048 S *	10/2013	Kanda et al.	D9/516
D509,439 S *	9/2005	Higuchi	D9/683	D695,607 S *	12/2013	Karvalis	D9/431
D510,035 S *	9/2005	Higuchi	D9/683	8,671,977 B2 *	3/2014	Gonzales Sanz	137/565.17
D526,907 S *	8/2006	Higuchi	D9/683	D707,548 S *	6/2014	Hobson	D9/416
D570,705 S *	6/2008	Kanda	D9/683	2002/0160890 A1 *	10/2002	Fazio et al.	482/112
D570,706 S *	6/2008	Kanda	D9/683	2005/0139573 A1 *	6/2005	Higuchi	215/382
D608,161 S *	1/2010	Olivari	D7/669	2011/0036806 A1 *	2/2011	Gregg et al.	215/382
D628,662 S *	12/2010	Heller	D21/692	2011/0186574 A1 *	8/2011	Zhong	220/262
					2012/0152885 A1 *	6/2012	Munoz	215/382

* cited by examiner

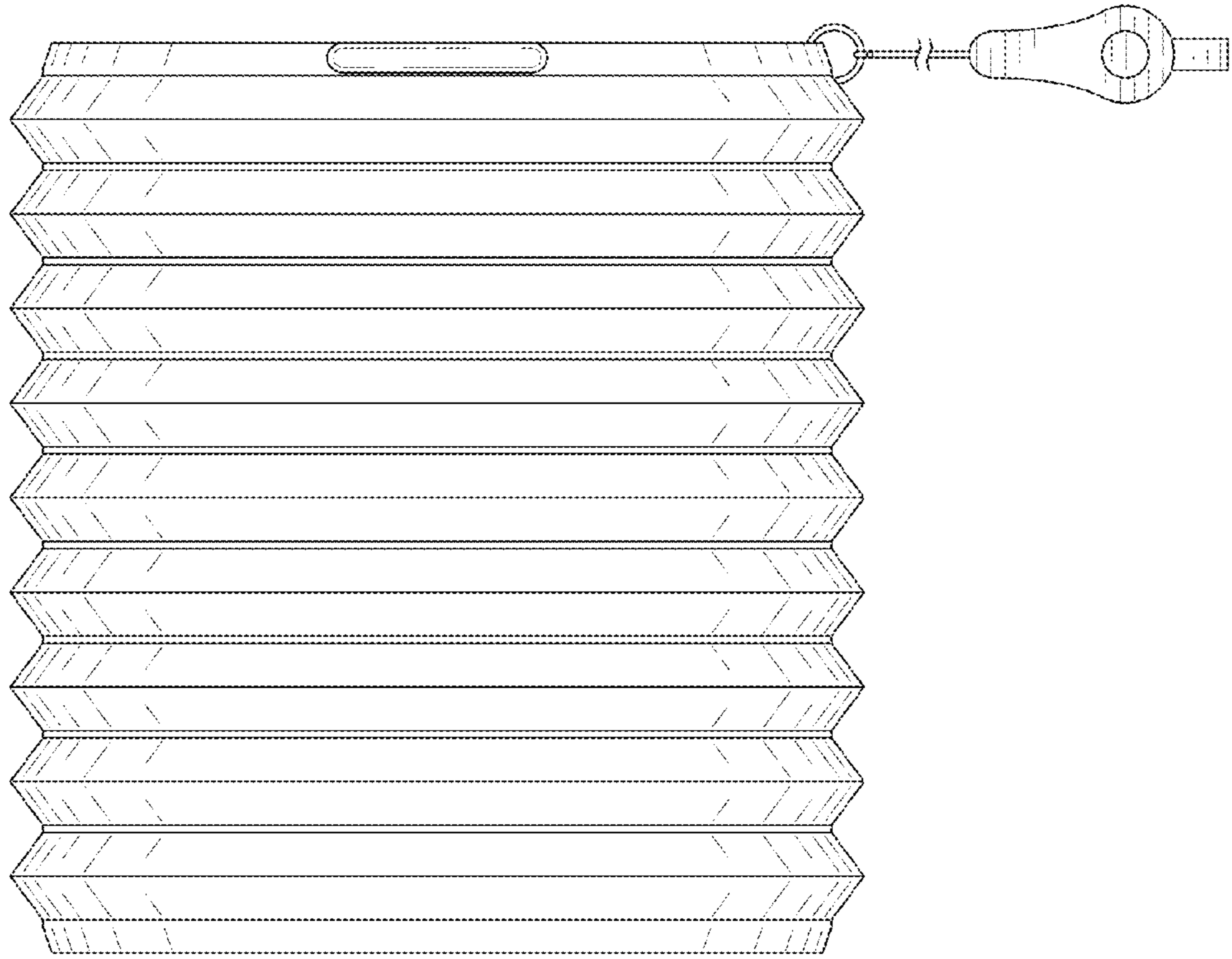


FIG. 1

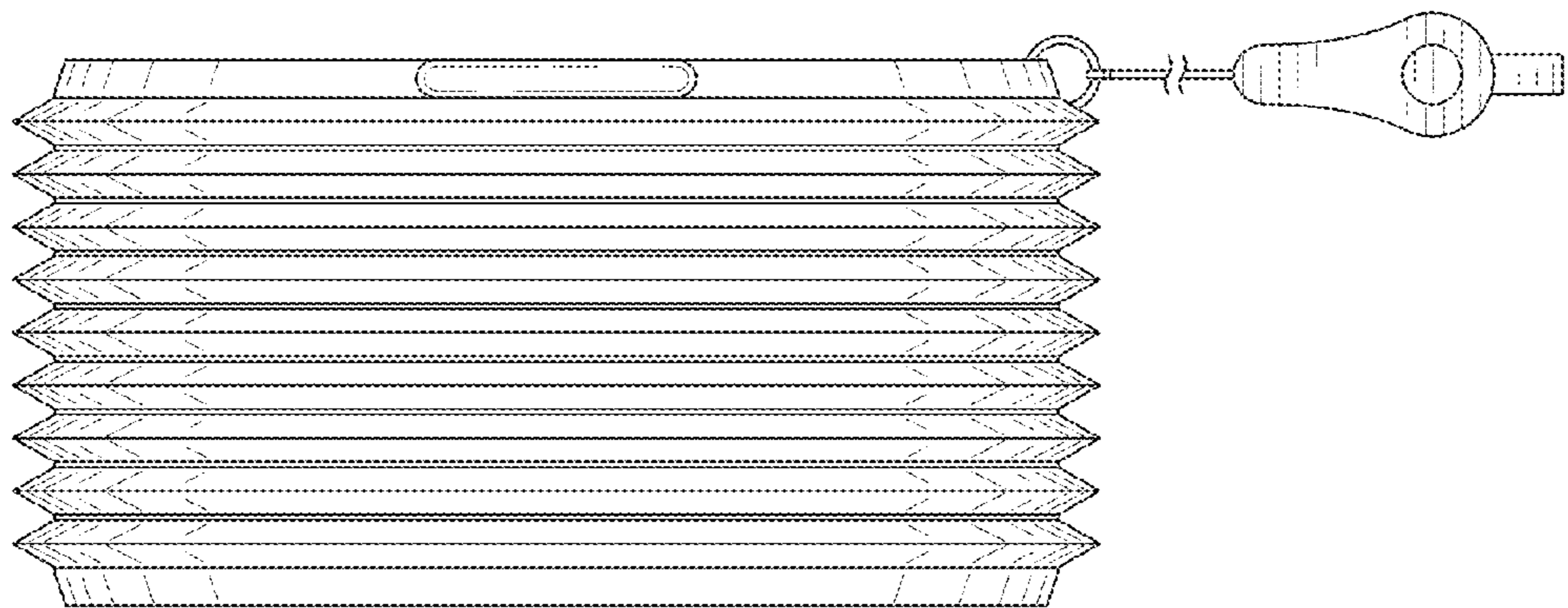


FIG. 2

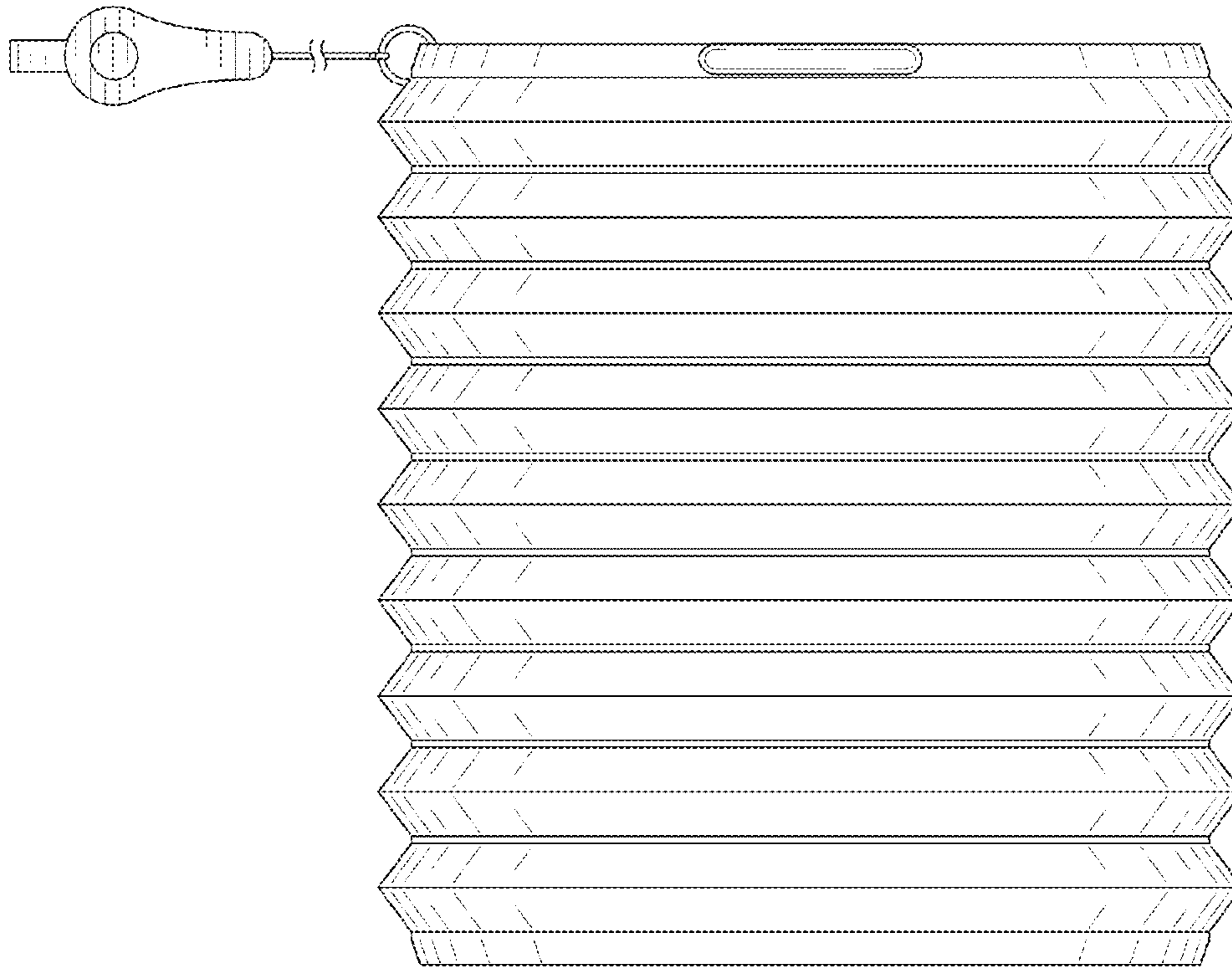


FIG. 3

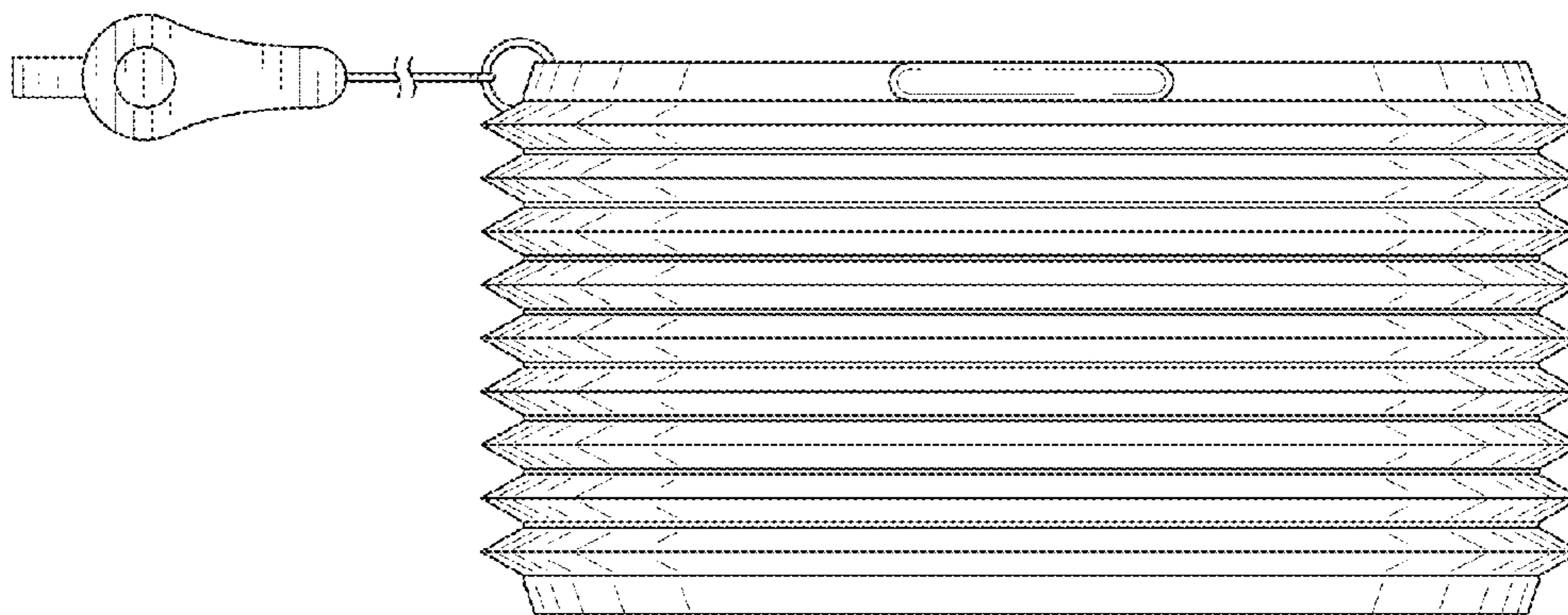


FIG. 4

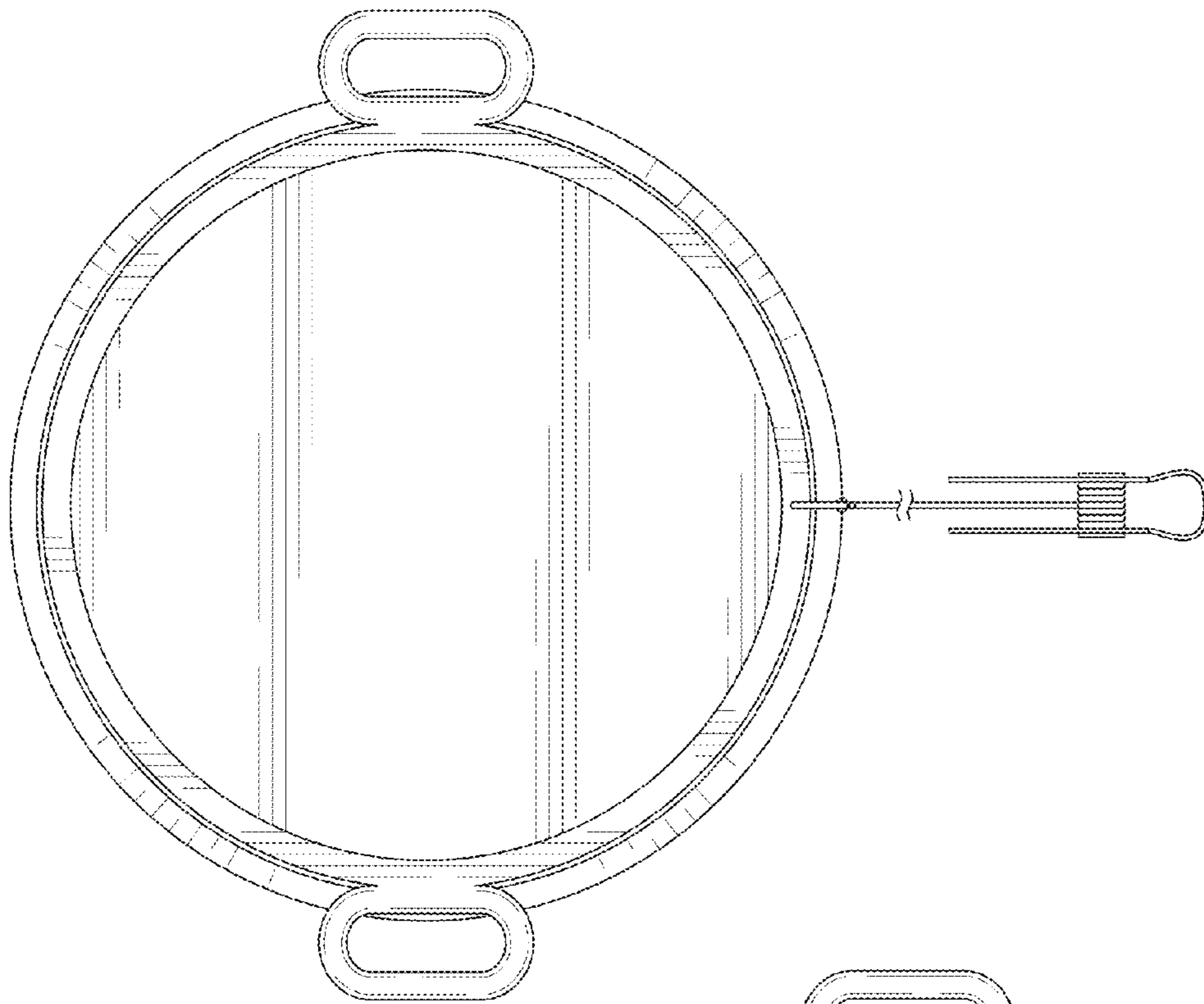


FIG. 5

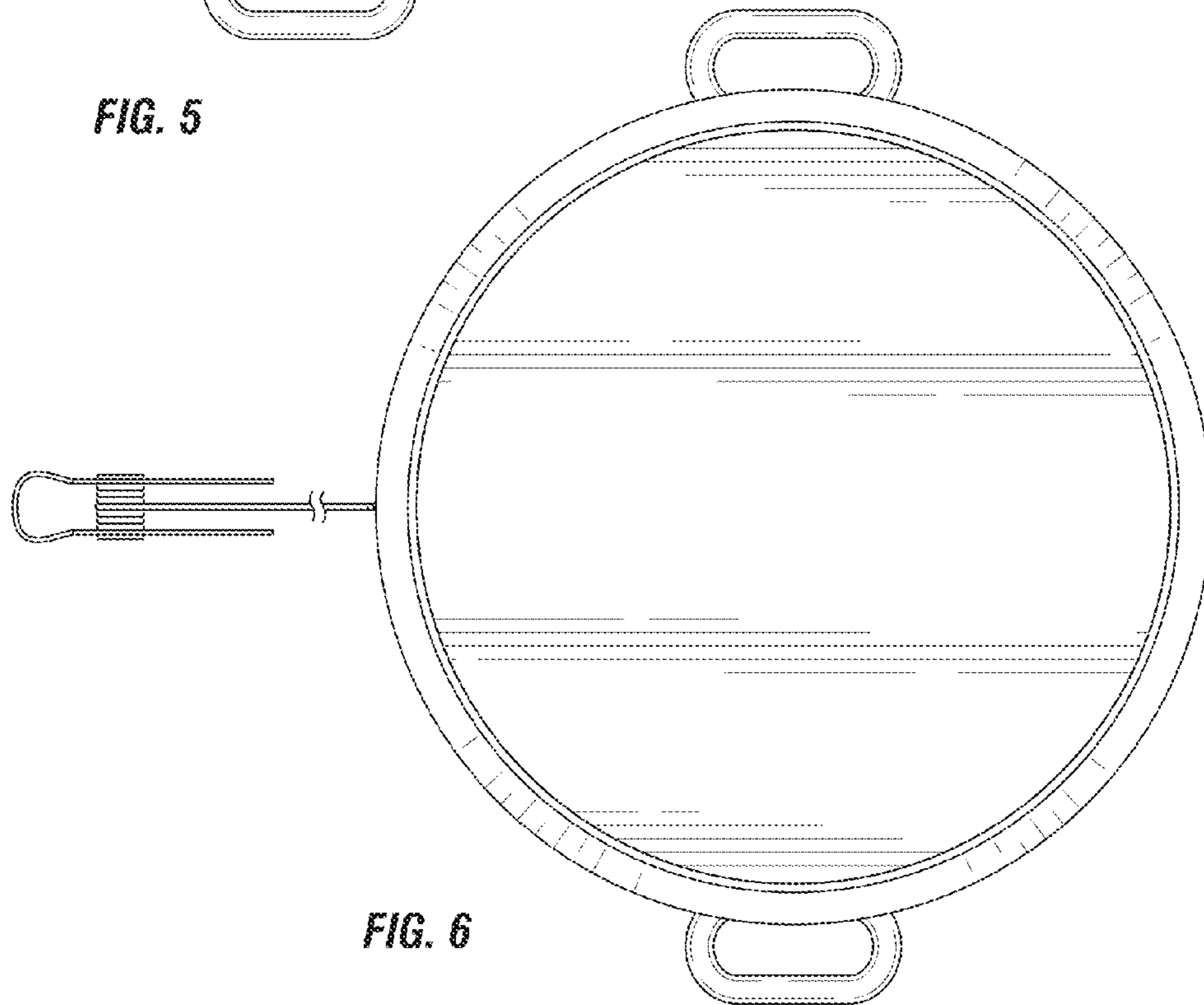


FIG. 6

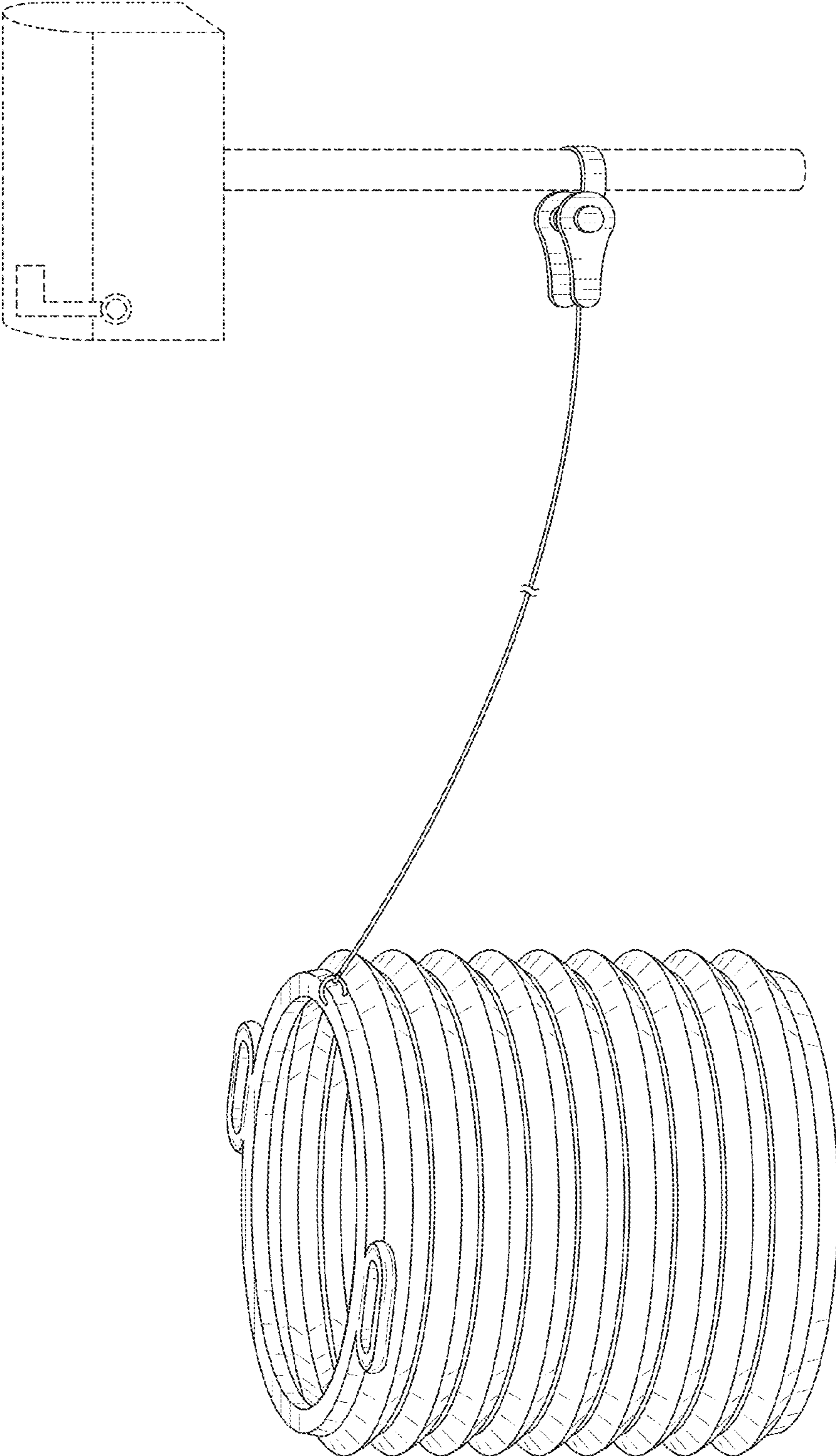


FIG. 7